



US00D968787S

(12) **United States Design Patent**
Dunham

(10) **Patent No.:** **US D968,787 S**
(45) **Date of Patent:** **** Nov. 8, 2022**

(54) **FOOTWEAR**

(71) Applicant: **Target Brands, Inc.**, Minneapolis, MN
(US)

(72) Inventor: **Austyn Dunham**, Minneapolis, MN
(US)

(73) Assignee: **Target Brands, Inc.**, Minneapolis, MN
(US)

(**) Term: **15 Years**

(21) Appl. No.: **29/754,528**

(22) Filed: **Oct. 12, 2020**

(51) **LOC (13) Cl.** **02-04**

(52) **U.S. Cl.**
USPC **D2/957; D2/947; D2/951; D2/959;**
D2/960

(58) **Field of Classification Search**

USPC D2/896-900, 902, 906, 908-912, 916,
D2/918, 920, 925, 943-962, 972, 974,
D2/977; 36/1, 1.5, 7.6, 7.7, 22 R, 24.5,
36/25 R, 28, 3 B, 32 R, 34 R, 59 C, 67 A,
36/83, 101-107, 112-116, 117.2, 117.3,
36/117.4, 124-136
CPC A43B 23/07; A43B 5/00-007; A43B 5/04;
A43B 13/00; A43B 13/02; A43B 13/04;
A43B 13/08; A43B 13/10; A43B 13/023;
A43B 13/026; A43B 13/12; A43B 13/14;
A43B 13/141; A43B 13/143; A43B
13/16; A43B 13/18; A43B 13/181; A43B
13/187; A43B 13/189; A43B 13/223;
A43B 13/20; A43B 13/22; A43B 13/24;
A43B 13/28; A43B 13/30; A43B 13/32;
A43B 13/34; A43B 13/03

See application file for complete search history.

(56) **References Cited**

U.S. PATENT DOCUMENTS

D299,681 S * 2/1989 Miller D2/960
D311,810 S * 11/1990 Hatfield D2/957

D316,930 S * 5/1991 Bernasconi D2/960
D318,170 S * 7/1991 Hatfield D2/954
D319,331 S * 8/1991 Hatfield D2/959

(Continued)

FOREIGN PATENT DOCUMENTS

CN 304161873 * 6/2017
CN 304161877 * 6/2017

(Continued)

OTHER PUBLICATIONS

All in Motion, Mens Jordan Waterproof Winter Boots, (2021),
Target.com, [site visited: May 5, 2022], Available from URL:
<https://www.target.com/p/men-s-jordan-waterproof-winter-boots-all-in-motion/-/A-82427206> (Year: 2021).*

(Continued)

Primary Examiner — T Chase Nelson

(74) *Attorney, Agent, or Firm* — Merchant & Gould P.C.

(57) **CLAIM**

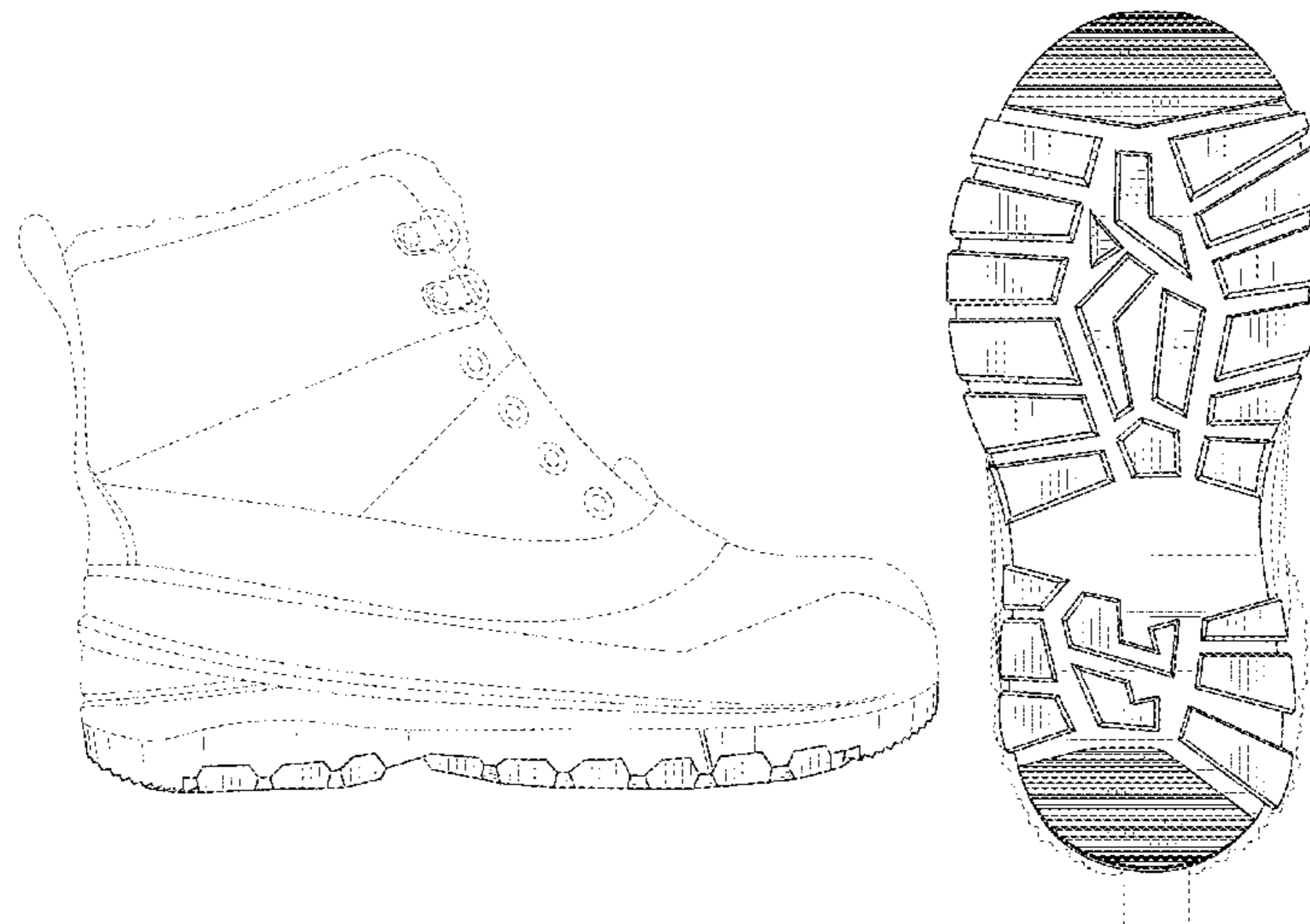
The ornamental design for a footwear, as shown and described.

DESCRIPTION

FIG. 1 is a front, top and right side perspective view of a footwear according to the new design;
FIG. 2 is a front side elevation view thereof;
FIG. 3 is a back side elevation view thereof;
FIG. 4 is a left side elevation view thereof;
FIG. 5 is a right side elevation view thereof;
FIG. 6 is a top plan view thereof;
FIG. 7 is a bottom plan view thereof; and,
FIG. 8 is a back, bottom and left side perspective view thereof.

The broken lines in the drawings show portions that form no part of the claimed design.

1 Claim, 8 Drawing Sheets



(56)

References Cited

U.S. PATENT DOCUMENTS

D322,156 S * 12/1991 Hase D2/960
 D325,806 S * 5/1992 Austin D2/955
 D329,689 S * 9/1992 Hatfield D2/954
 D330,112 S * 10/1992 Hatfield D2/953
 D337,426 S * 7/1993 Dyer D2/957
 D343,049 S * 1/1994 Novy D2/958
 D344,172 S * 2/1994 Dolinsky D2/957
 D364,265 S * 11/1995 Murray D2/954
 D397,849 S * 9/1998 Mitsui D2/954
 D408,977 S * 5/1999 Greenberg D2/960
 D410,966 S * 6/1999 Cretinon D2/951
 D423,201 S * 4/2000 Wilson D2/947
 D487,617 S * 3/2004 Akhidime D2/960
 D489,881 S * 5/2004 Recchi D2/857
 D493,952 S * 8/2004 Mitchell D2/960
 D495,480 S * 9/2004 Laberge D2/960
 D496,525 S * 9/2004 Dykstra D2/960
 D499,233 S 12/2004 Sedlbauer
 D504,205 S * 4/2005 Andrews-Kramer D2/960
 D516,285 S 3/2006 Sedlbauer
 D517,791 S 3/2006 Sedlbauer
 D517,792 S 3/2006 Sedlbauer
 D524,019 S 7/2006 Matis et al.
 D530,492 S * 10/2006 McClaskie D2/960
 D539,024 S 3/2007 Belley et al.
 D547,540 S 7/2007 Maderspach
 D556,438 S 12/2007 Maderspach
 D570,081 S * 6/2008 Longuet D2/960
 D574,583 S * 8/2008 St-Louis D2/954
 D575,951 S 9/2008 St-Louis
 D582,651 S 12/2008 Andersen et al.
 D594,195 S * 6/2009 Nakano D2/951
 D599,539 S 9/2009 St-Louis
 D603,151 S * 11/2009 Roundhouse D2/951
 D621,595 S * 8/2010 McClaskie D2/951
 D632,882 S 2/2011 O'Rorke
 D648,929 S 11/2011 Van Zyll De Jong et al.
 D655,902 S * 3/2012 Debiase D2/951
 D660,570 S 5/2012 Joseph
 D662,304 S 6/2012 Spring
 D664,345 S 7/2012 Joseph
 D677,871 S 3/2013 Portzline
 D677,873 S 3/2013 Portzline
 D678,666 S 3/2013 Portzline
 D699,932 S 2/2014 Lubart
 D701,024 S 3/2014 Youngs et al.
 D701,372 S 3/2014 Portzline
 D701,377 S 3/2014 Spring
 D701,683 S 4/2014 Neely
 D707,023 S * 6/2014 Della Valle D2/954
 D710,078 S * 8/2014 Joseph D2/951
 D724,830 S * 3/2015 Joseph D2/951
 D740,534 S 10/2015 Spring
 D754,425 S 4/2016 Deas
 D756,093 S * 5/2016 Mahoney D2/951
 D770,153 S * 11/2016 Marvin D2/951
 D779,791 S * 2/2017 Mason A43B 5/00
 D781,040 S * 3/2017 Scofield D2/947
 D795,541 S 8/2017 Henrichot et al.
 D811,705 S * 3/2018 Hughes A43B 5/00
 D815,825 S * 4/2018 Goldberg D2/951
 9,974,359 B2 * 5/2018 Scofield A43B 13/223
 D838,445 S * 1/2019 Kalns D2/912
 D839,573 S * 2/2019 Small D2/951
 D843,095 S * 3/2019 Birkinhead D2/947
 D844,944 S * 4/2019 Theodorus van Oudvors
 C08J 9/0061
 D844,959 S * 4/2019 Evans D2/947

D850,771 S * 6/2019 Schultze D2/951
 D858,052 S * 9/2019 Bongers D2/947
 D861,308 S * 10/2019 Chang D2/947
 D866,934 S 11/2019 Zeng
 D867,735 S * 11/2019 Owens D2/947
 D871,738 S * 1/2020 Gibson D2/951
 D874,808 S 2/2020 Prochmann
 D881,541 S * 4/2020 Small A43B 13/223
 D883,630 S * 5/2020 Cass D2/947
 D889,798 S * 7/2020 Vella D2/947
 D898,334 S * 10/2020 Radabaugh D2/951
 D900,436 S * 11/2020 Sassi D2/908
 D907,906 S * 1/2021 López Calí D2/947
 D916,449 S * 4/2021 Vizy D2/947
 D918,555 S * 5/2021 Sassi D2/947
 D925,876 S * 7/2021 Bramani D2/947
 D930,339 S * 9/2021 McGhee D2/947
 D930,347 S * 9/2021 McGhee D2/947
 D935,756 S * 11/2021 Sartori D2/947
 D941,005 S * 1/2022 Jones D2/951
 D950,905 S * 5/2022 Dunham D2/947
 2018/0327564 A1 * 11/2018 Baghdadi C08J 9/0061

FOREIGN PATENT DOCUMENTS

CN 306656927 * 7/2021
 CN 307044459 * 1/2022
 CN 307044461 * 1/2022
 CN 307155307 * 3/2022
 CN 307229540 * 4/2022
 CN 307238696 * 4/2022
 CN 307238768 * 4/2022
 CN 307248752 * 4/2022
 CN 307288030 * 4/2022
 CN 307297911 * 4/2022
 EM 008803340-0024 * 4/2022
 RU 00070625 * 6/2009
 RU 00073171 * 12/2009

OTHER PUBLICATIONS

All in Motion, Mens Julian Waterproof Winter Boots, (2021), Target.com, [site visited: May 5, 2022], Available from URL: <https://www.target.com/p/men-39-s-julian-waterproof-winter-boots-all-in-motion-8482-black-7/-/A-82258173> (Year: 2021).*

All in Motion, Mens Ashton Waterproof Winter Boots, (2021), Target.com, [site visited: May 5, 2022], Available from URL: <https://www.target.com/p/men-s-ashton-waterproof-winter-boots-all-in-motion-black/-/A-82427192> (Year: 2021).*

All in Motion, Mens Rowan Waterproof Winter Boots, (2021), Target.com, [site visited: May 5, 2022], Available from URL: <https://www.target.com/p/men-s-rowan-waterproof-winter-boots-all-in-motion/-/A-82427230> (Year: 2021).*

Dockers, Mens Brendan Outdoor Sport Sandal Shoe, (2021), Target.com, [site visited: May 5, 2022], Available from URL: <https://www.target.com/p/dockers-mens-brendan-outdoor-sport-sandal-shoe-black-size-11/-/A-86517554> (Year: 2021).*

All in Motion, Womens Camila Winter Boots, (2021), Target.com, [site visited: May 5, 2022], Available from URL: <https://www.target.com/p/women-s-camila-winter-boots-all-in-motion/-/A-82390218> (Year: 2021).*

All in Motion, Womens Jules Pull-On Puffer Boots, (2021), Target.com, [site visited: May 5, 2022], Available from URL: <https://www.target.com/p/women-s-jules-pull-on-puffer-boots-all-in-motion/-/A-82384093> (Year: 2021).*

* cited by examiner



FIG. 1

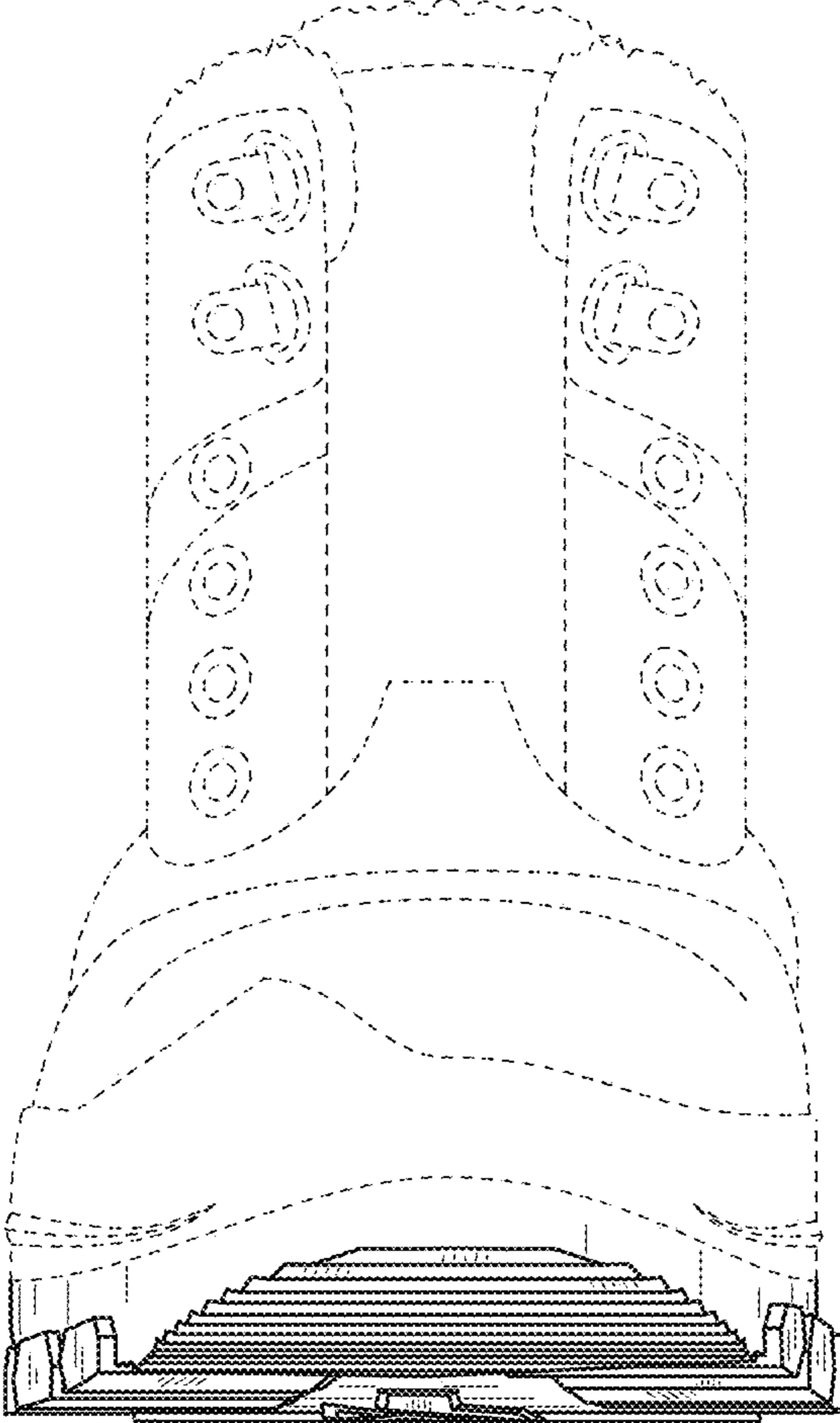


FIG. 2

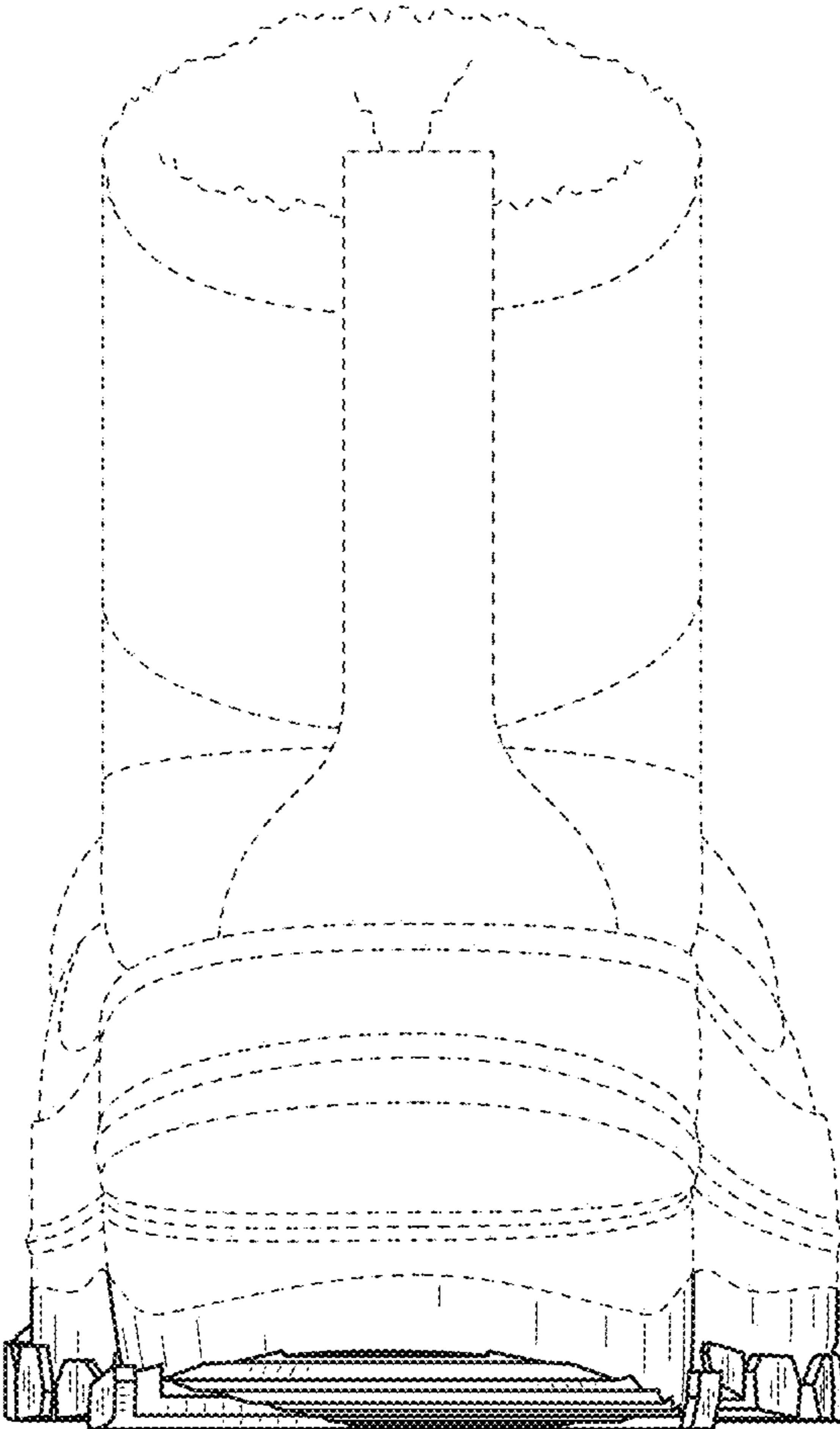


FIG. 3



FIG. 4

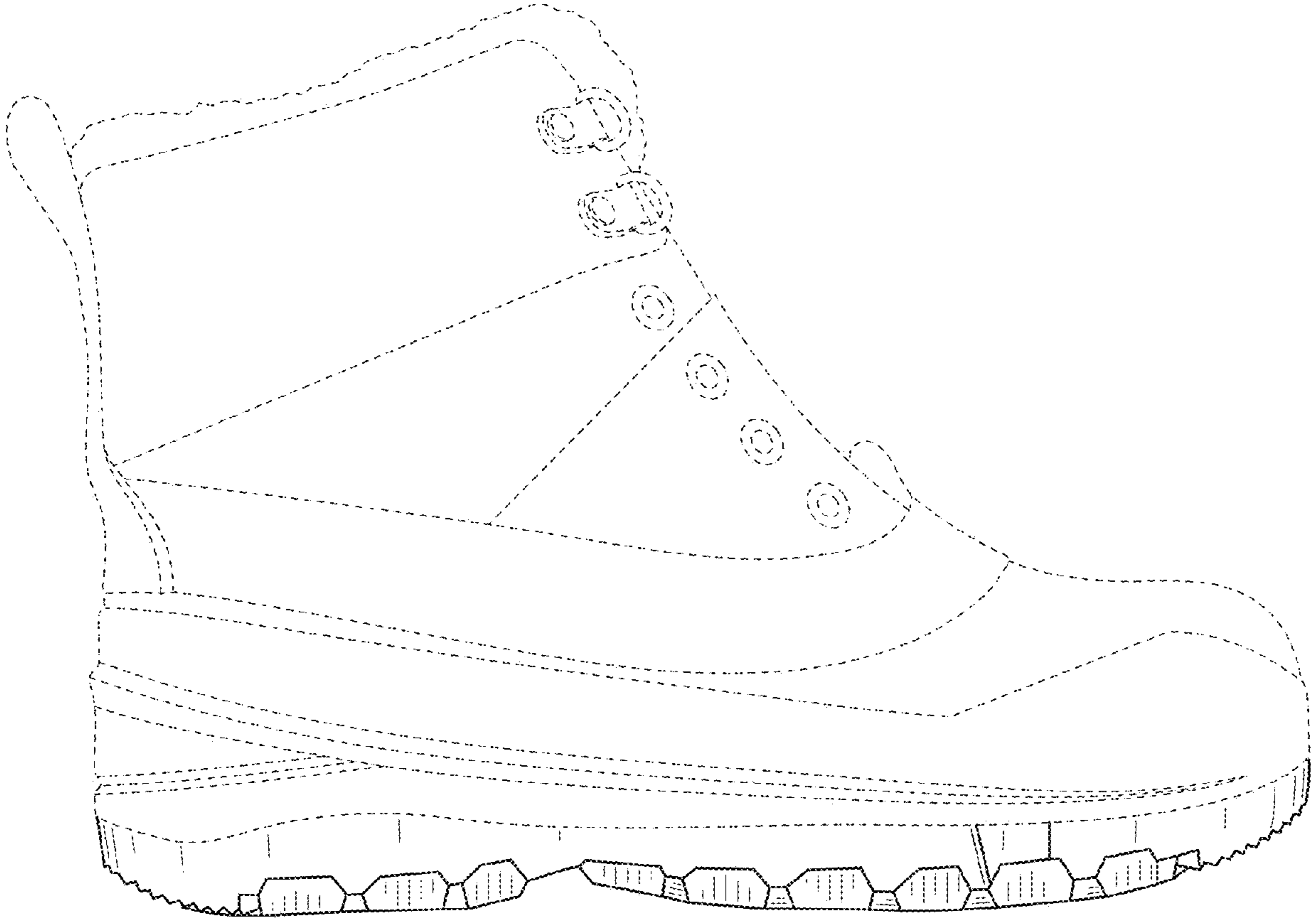


FIG. 5

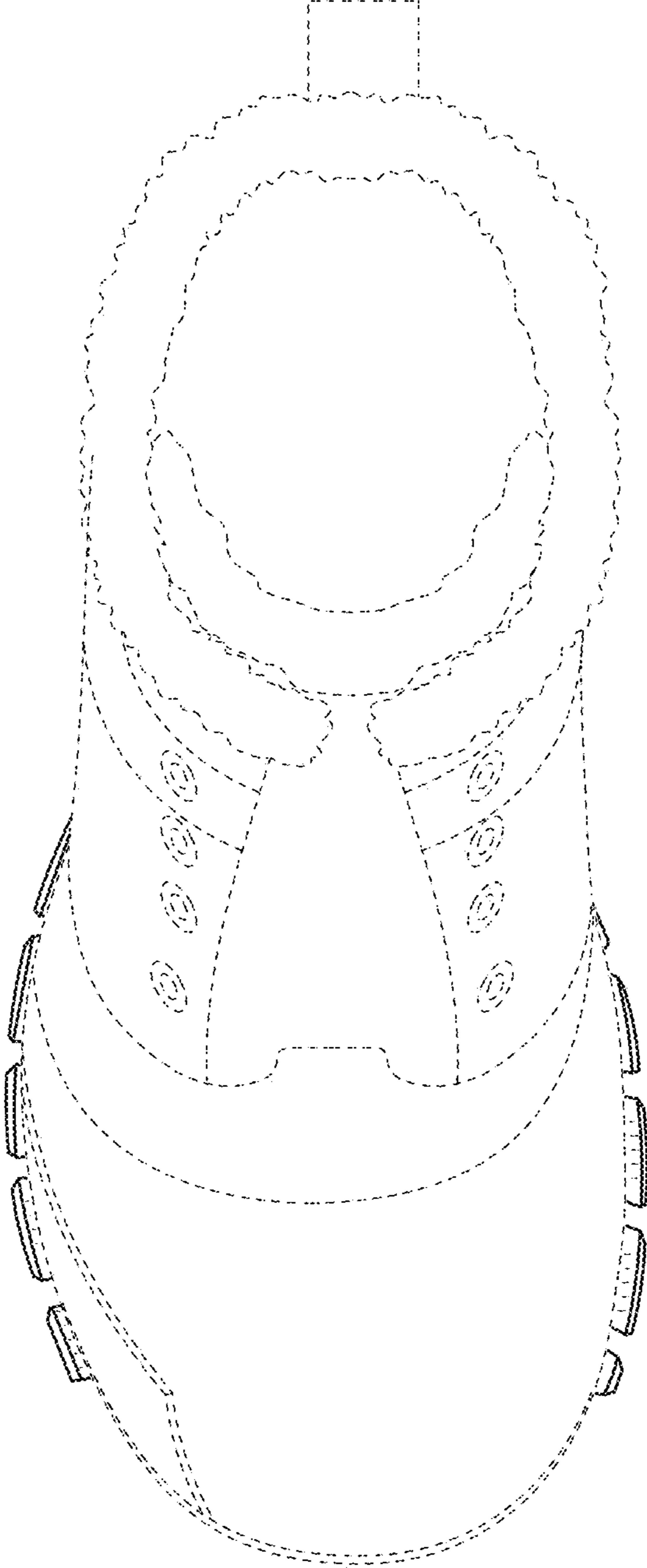


FIG. 6

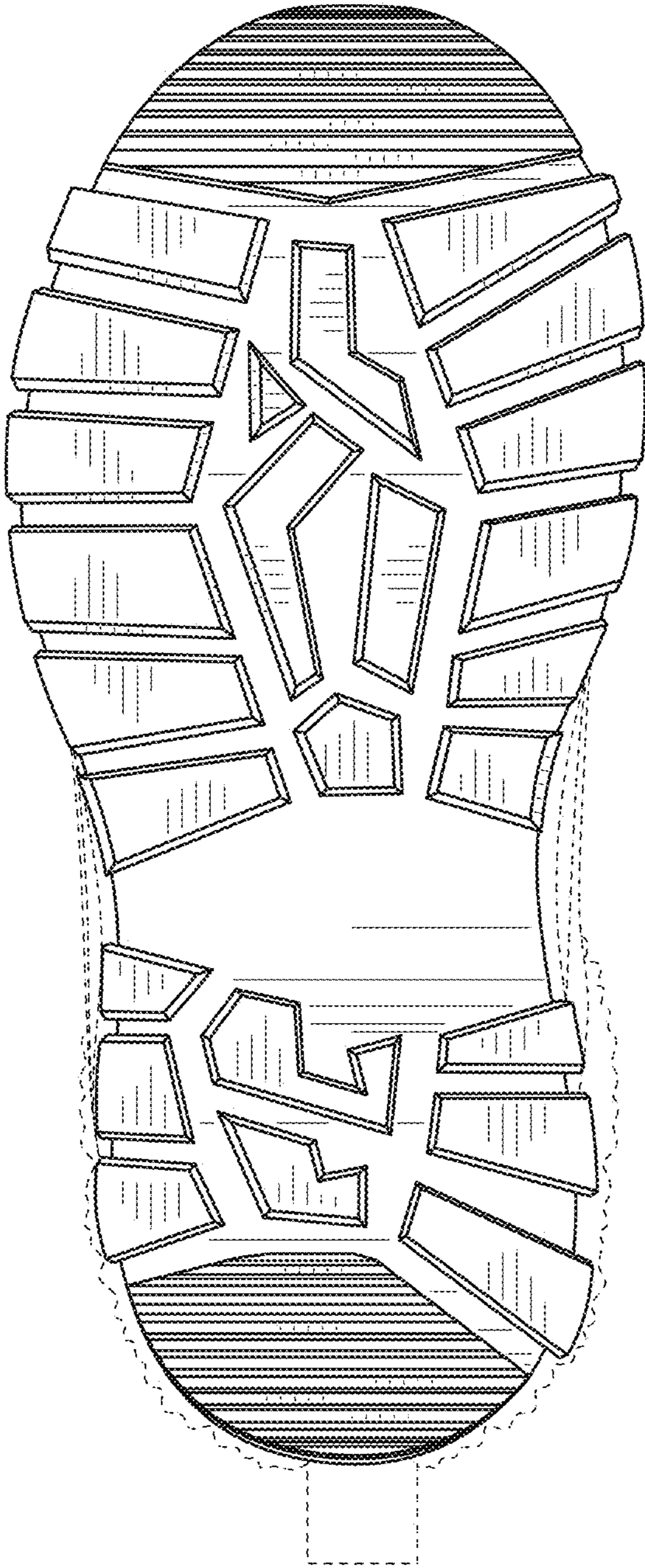


FIG. 7

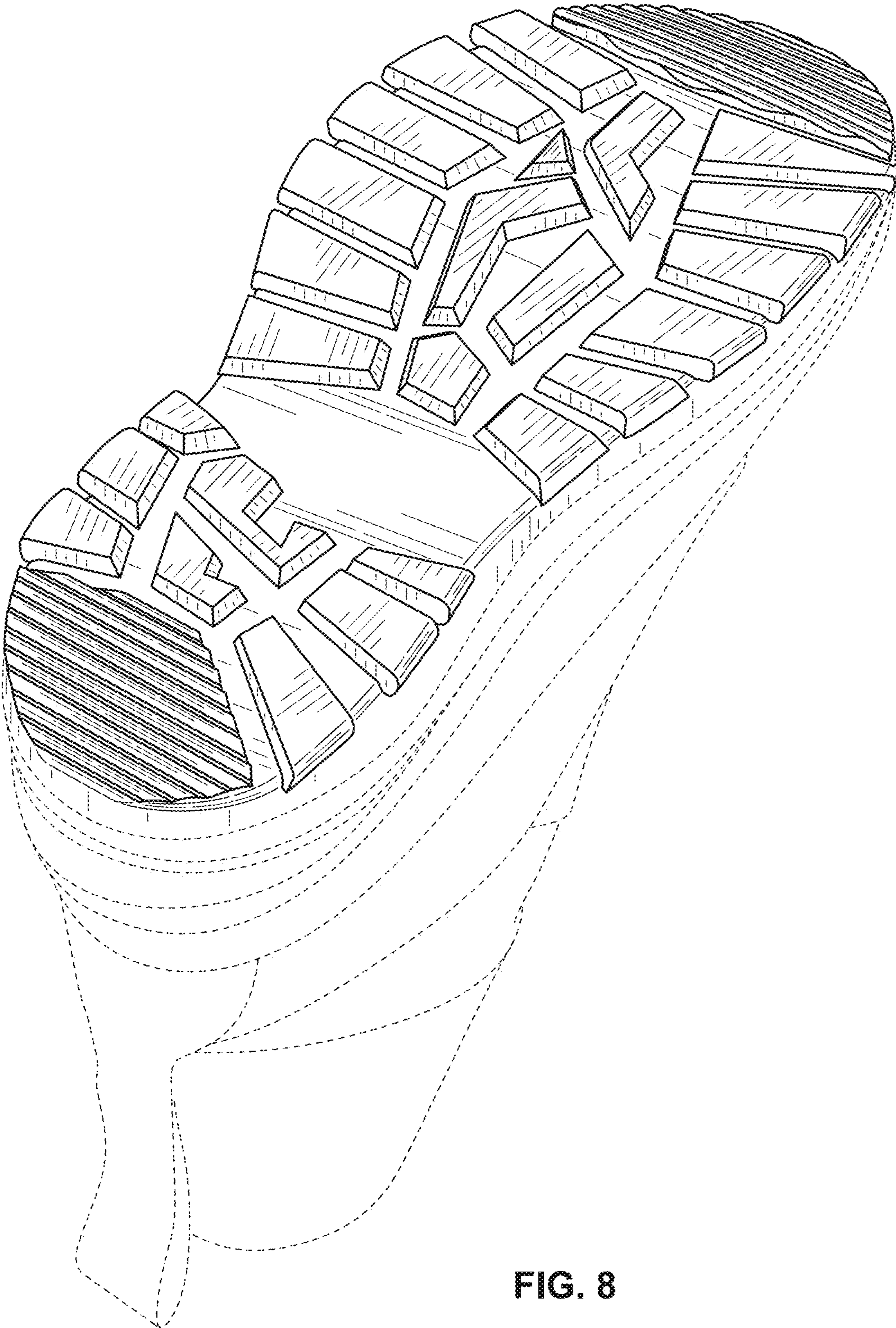


FIG. 8