



US00D968780S

(12) **United States Design Patent** (10) **Patent No.:** **US D968,780 S**  
**Lesecq** (45) **Date of Patent:** **\*\* Nov. 8, 2022**

(54) **SHOE**  
(71) Applicant: **NIKE, Inc.**, Beaverton, OR (US)  
(72) Inventor: **Fiona L. Lesecq**, Portland, OR (US)  
(73) Assignee: **NIKE, Inc.**, Beaverton, OR (US)  
(\*\*) Term: **15 Years**  
(21) Appl. No.: **29/803,984**  
(22) Filed: **Aug. 17, 2021**  
(51) **LOC (13) Cl.** ..... **02-04**  
(52) **U.S. Cl.**  
USPC ..... **D2/951; D2/957; D2/954**  
(58) **Field of Classification Search**  
USPC ..... D2/902, 906, 908, 916, 918, 925,  
D2/946-962, 977  
CPC ..... A43B 13/00; A43B 13/02; A43B 13/023;  
A43B 13/026; A43B 13/04; A43B 13/08;  
A43B 13/10; A43B 13/12; A43B 13/14;  
A43B 13/141; A43B 13/143; A43B  
13/16; A43B 13/18; A43B 13/181; A43B  
13/187; A43B 13/189; A43B 13/20; A43B  
13/22; A43B 13/223; A43B 13/24; A43B  
13/28; A43B 13/30; A43B 13/32; A43B  
13/34; A43B 13/36  
See application file for complete search history.

D285,984 S \* 10/1986 Tong ..... D2/955  
D291,943 S \* 9/1987 Tong ..... D2/955  
D292,541 S \* 11/1987 Kelley ..... D2/955  
D294,656 S \* 3/1988 Liggett ..... D2/955  
D296,152 S 6/1988 Selbiger  
D296,383 S 6/1988 Kelley  
D298,683 S \* 11/1988 Kelley ..... D2/954  
D299,584 S \* 1/1989 Franklin ..... D2/955  
D301,181 S \* 5/1989 Brill ..... D2/960  
(Continued)

**FOREIGN PATENT DOCUMENTS**

CN 303673041 S 5/2016  
CN 303722306 S 6/2016  
(Continued)

**OTHER PUBLICATIONS**

Nike Footwear Catalog, 1977 Shoe Show, p. 2, published date unknown, but prior to the filing date of the present application, Nike, Inc., USA.  
(Continued)

*Primary Examiner* — Jonathan J Han  
*Assistant Examiner* — Amanda J Berlinski  
(74) *Attorney, Agent, or Firm* — Banner & Witcoff, Ltd.

(57) **CLAIM**

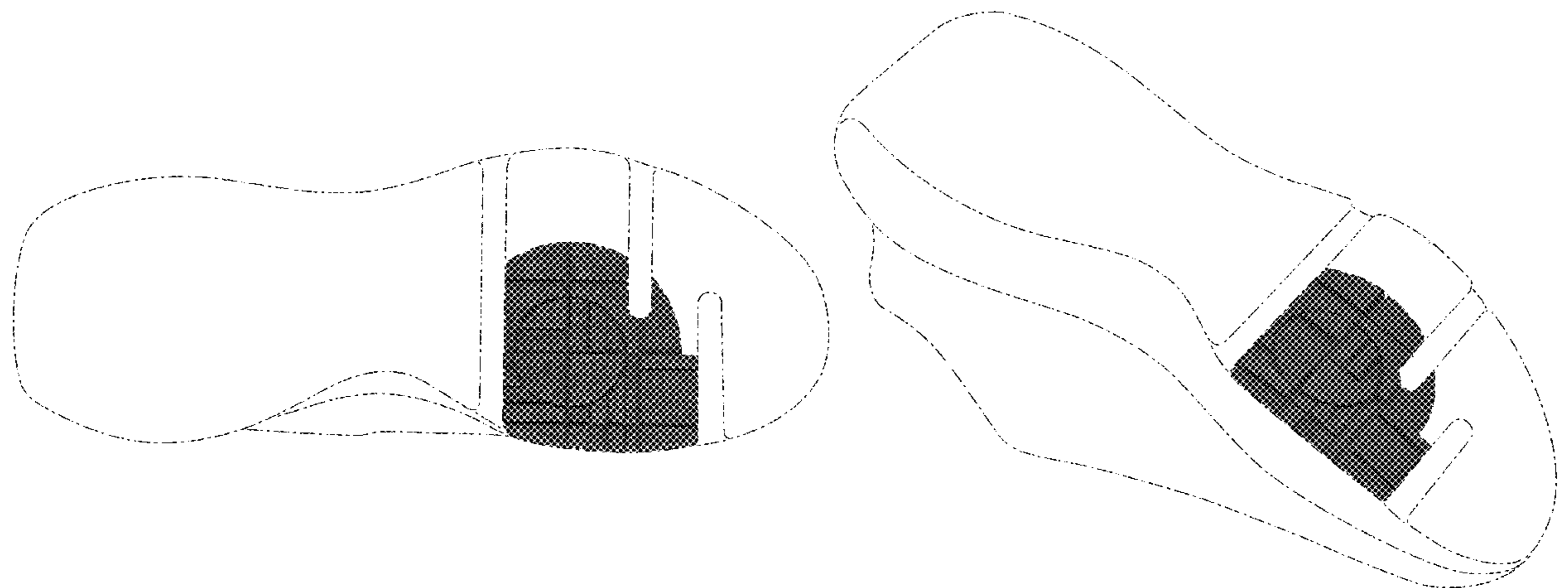
The ornamental design for a shoe, as shown and described.

**DESCRIPTION**

FIG. 1 is a bottom view of a shoe showing my new design; and,  
FIG. 2 is a bottom front perspective view thereof.  
The broken line immediately adjacent to and surrounding the photographic area defines the peripheral bounds of the claimed design and forms no part thereof. The broken lines depicting the remainder of the shoe form no part of the claimed design.

**1 Claim, 2 Drawing Sheets**

(56) **References Cited**  
**U.S. PATENT DOCUMENTS**  
1,305,812 A \* 6/1919 Lambert ..... A43B 13/36  
36/15  
2,685,141 A \* 8/1954 Davenport ..... A43C 15/02  
D2/962  
D241,688 S \* 10/1976 Johnson ..... D2/955  
4,281,467 A \* 8/1981 Anderie ..... A43B 13/223  
D2/951  
D275,146 S \* 8/1984 Kilgore ..... D2/955  
D281,641 S \* 12/1985 Shiki ..... D2/955



(56)

References Cited

U.S. PATENT DOCUMENTS

D304,259 S \* 10/1989 Nakano ..... D2/955  
 D304,520 S 11/1989 Clark  
 D304,521 S 11/1989 Clark  
 D319,725 S 9/1991 Claveria  
 D321,978 S 12/1991 Hatfield  
 D323,928 S 2/1992 Claveria  
 D325,806 S 5/1992 Austin  
 D334,655 S 4/1993 McDonald  
 D336,151 S 6/1993 Minkin et al.  
 D437,106 S 2/2001 Cagner  
 D474,880 S \* 5/2003 Cintron ..... D2/951  
 D479,643 S 9/2003 O'Shea et al.  
 D487,616 S 3/2004 Rogers et al.  
 D512,820 S 12/2005 Le  
 D519,265 S 4/2006 Gerber  
 D536,517 S 2/2007 Gerber  
 D536,861 S 2/2007 Rasmussen  
 D574,134 S 8/2008 Petrie  
 D584,491 S \* 1/2009 Matis ..... D2/951  
 D586,543 S 2/2009 Wolff  
 D591,945 S \* 5/2009 Belley ..... D2/954  
 D613,041 S 4/2010 Thompson  
 D659,363 S 5/2012 Leary et al.  
 D671,724 S \* 12/2012 Avar ..... D2/954  
 D722,750 S 2/2015 Vella  
 D741,051 S \* 10/2015 McInerney ..... D2/900  
 D793,685 S 8/2017 Anceresi  
 D797,425 S \* 9/2017 Wegener ..... D2/951  
 D833,722 S 11/2018 Durlinger  
 D855,955 S \* 8/2019 Neumann ..... D2/947  
 D880,125 S 4/2020 Lin  
 D885,031 S \* 5/2020 Devito ..... A43B 13/36  
 D2/954  
 D889,786 S 7/2020 Penka  
 D889,793 S 7/2020 Ward  
 D909,032 S 2/2021 Kosenick  
 D909,033 S 2/2021 Kosenick  
 D910,993 S 2/2021 Holmes  
 D912,961 S 3/2021 Huang  
 D923,924 S 7/2021 Papp  
 D925,877 S 7/2021 Tao  
 D927,158 S \* 8/2021 Schulten ..... A43C 15/02  
 D2/947  
 D943,896 S \* 2/2022 Schulten ..... D2/947  
 2012/0324761 A1 \* 12/2012 Sills ..... A43B 13/125  
 12/146 B  
 2019/0343224 A1 \* 11/2019 Dean ..... A43B 13/184

FOREIGN PATENT DOCUMENTS

CN 304124954 S 5/2017  
 CN 304133930 S 5/2017  
 CN 304153795 S 6/2017  
 CN 304181717 S 6/2017  
 CN 304201998 S 7/2017

CN 304251325 S 8/2017  
 CN 304813864 S 9/2018  
 CN 304831336 S 9/2018  
 CN 305150695 S 5/2019  
 CN 305219107 S 6/2019  
 CN 305527096 S 1/2020  
 CN 305762672 S 5/2020  
 CN 306061555 S 9/2020  
 CN 306068501 S 9/2020  
 CN 306212743 S 12/2020  
 CN 306311330 S 2/2021  
 CN 306690020 S 7/2021  
 CN 306865391 S 10/2021  
 JP D1652275 2/2020  
 KR 30-1122209 8/2021

OTHER PUBLICATIONS

Nike Footwear Catalog, 1991 Spring Footwear, p. 44, published Jun. 1990, Nike, Inc., USA.  
 Nike Footwear Catalog, 1992 Spring Footwear, p. 136, published May 1991, Nike, Inc., USA.  
 Nike Footwear Catalog, 1993 Spring Footwear, p. 84, published Mar. 1993, Nike, Inc., USA.  
 Nike Footwear Catalog, 1998 Late Fall Footwear, p. 34, published Mar. 1998, Nike, Inc., USA.  
 Nike Footwear Catalog, 2018 Holiday Young Athletes, p. 126, published May 2016, Nike, Inc., USA.  
 "Nike Air Max 90 SE"; Nike; retrieved Aug. 10, 2021; published date unknown, but prior to application filing date; URL: <<https://www.nike.com/t/air-max-90-se-mens-shoes-q1KRR8/DJ5190-100>>.  
 "Nike Air Max Pre-Day BeTrue"; Nike; retrieved Aug. 10, 2021; published date unknown, but prior to application filing date; URL: <<https://www.nike.com/t/air-max-pre-day-betrue-shoes-6ChMCv/DD3025-400>>.  
 "Driven by Experimentation, Nike ISPA is a Bold Approach to Functional Design"; Design Boom; retrieved Aug. 10, 2021; published Jul. 8, 2020; URL: <<https://www.designboom.com/design/nike-ispa-08-07-2020/>>.  
 "The Nike Zoom Double Stacked for Women Features Shadow Lines of the Swoosh"; Sneaker News; retrieved Aug. 10, 2021; published Oct. 27, 2020; URL: <<https://sneakernews.com/2020/10/27/nike-zoom-double-stacked-cz2909-600-cz2909-001-release-info/>>.  
 "The Nike Air Max 2021 Launches August 5th"; Sneaker News; retrieved Aug. 10, 2021; published Jul. 13, 2021; URL: <<https://sneakernews.com/2021/07/13/nike-air-max-2021-da1925-002-release-date/>>.  
 "Air Max 2X"; Jimmy Jazz; retrieved Aug. 10, 2021; published date unknown, but prior to application filing date; URL: <<https://www.jimmyjazz.com/products/nike-air-max-2x-ck2943-102>>.

\* cited by examiner



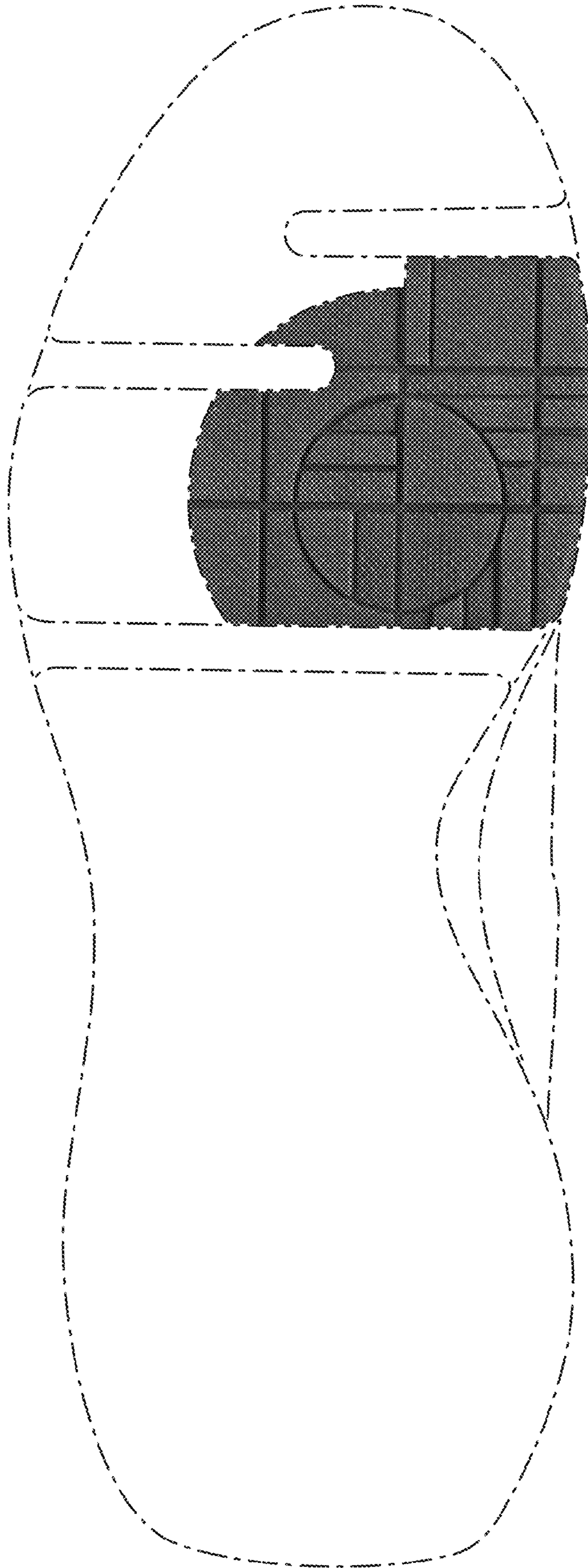


FIG. 1

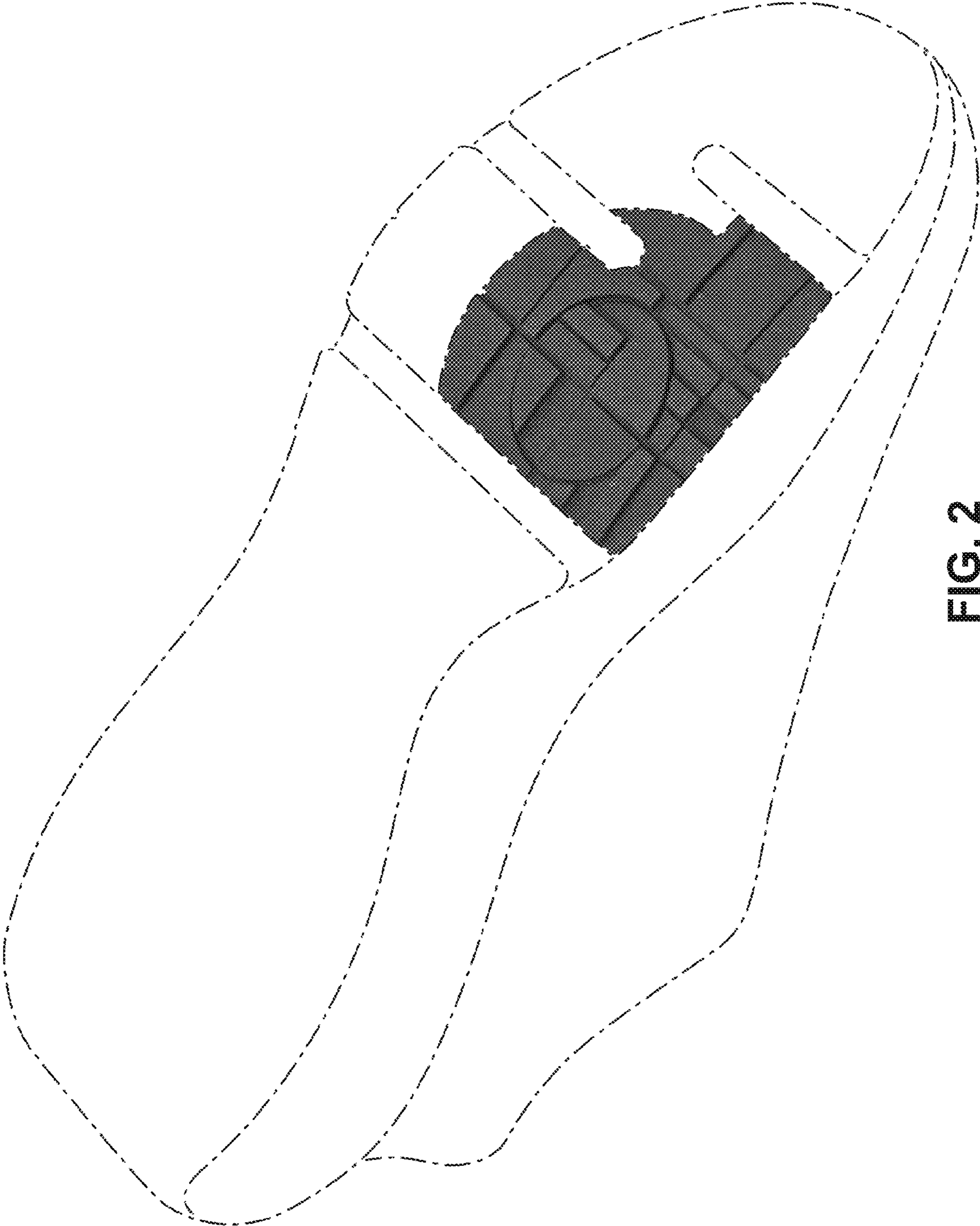


FIG. 2