



US00D968762S

(12) **United States Design Patent**
Shao

(10) **Patent No.:** **US D968,762 S**
(45) **Date of Patent:** **** Nov. 8, 2022**

(54) **RAINCOAT**

(71) Applicant: **Yinhua Shao**, Ningbo (CN)

(72) Inventor: **Yinhua Shao**, Ningbo (CN)

(**) Term: **15 Years**

(21) Appl. No.: **29/822,902**

(22) Filed: **Jan. 12, 2022**

(51) **LOC (13) Cl.** **02-02**

(52) **U.S. Cl.**
USPC **D2/831**

(58) **Field of Classification Search**
USPC D2/715, 749-750, 825-826, 828, 831,
D2/839-840, 854, 878
CPC . A41D 1/02; A41D 1/04; A41D 1/082; A41D
3/00; A41D 3/02; A41D 3/04
See application file for complete search history.

(56) **References Cited**

U.S. PATENT DOCUMENTS

D477,126 S	7/2003	Dunning et al.	
D685,160 S *	7/2013	Savage	D2/831
D709,672 S *	7/2014	Clayton-Smith	D2/870
D758,699 S *	6/2016	Darmour	D2/831
D906,636 S	1/2021	Zhang	
D930,955 S *	9/2021	McGonegal	D2/878
D937,544 S *	12/2021	Bogen	D2/866
D939,194 S *	12/2021	Wallace	D2/878
D939,195 S *	12/2021	Russell	D29/108
D955,697 S *	6/2022	Chen	D2/828
2015/0201693 A1 *	7/2015	Donner	A42B 1/048 2/204
2021/0052022 A1 *	2/2021	George	A41D 27/24

OTHER PUBLICATIONS

Salamara Hooded Rain Poncho, reviewed Jul. 1, 2021 [online],
(retrieved Aug. 17, 2022). Retrieved from the internet, <https://www.>

[amazon.ca/Hooded-Poncho-Waterproof-Raincoat-Jacket/dp/B09CM31K15?th=1](https://www.amazon.ca/Hooded-Poncho-Waterproof-Raincoat-Jacket/dp/B09CM31K15?th=1) (Year: 2021).*
SaphiRose Hooded Rain Poncho, posted May 5, 2019 [online],
(retrieved Aug. 17, 2022). Retrieved from the internet, <https://www.amazon.com/Hooded-Poncho-Waterproof-Raincoat-Jacket/dp/B07Q7Y9CF9?th=1> (Year: 2019).*

* cited by examiner

Primary Examiner — Kevin K Rudzinski
Assistant Examiner — J. Thorn, Sr.

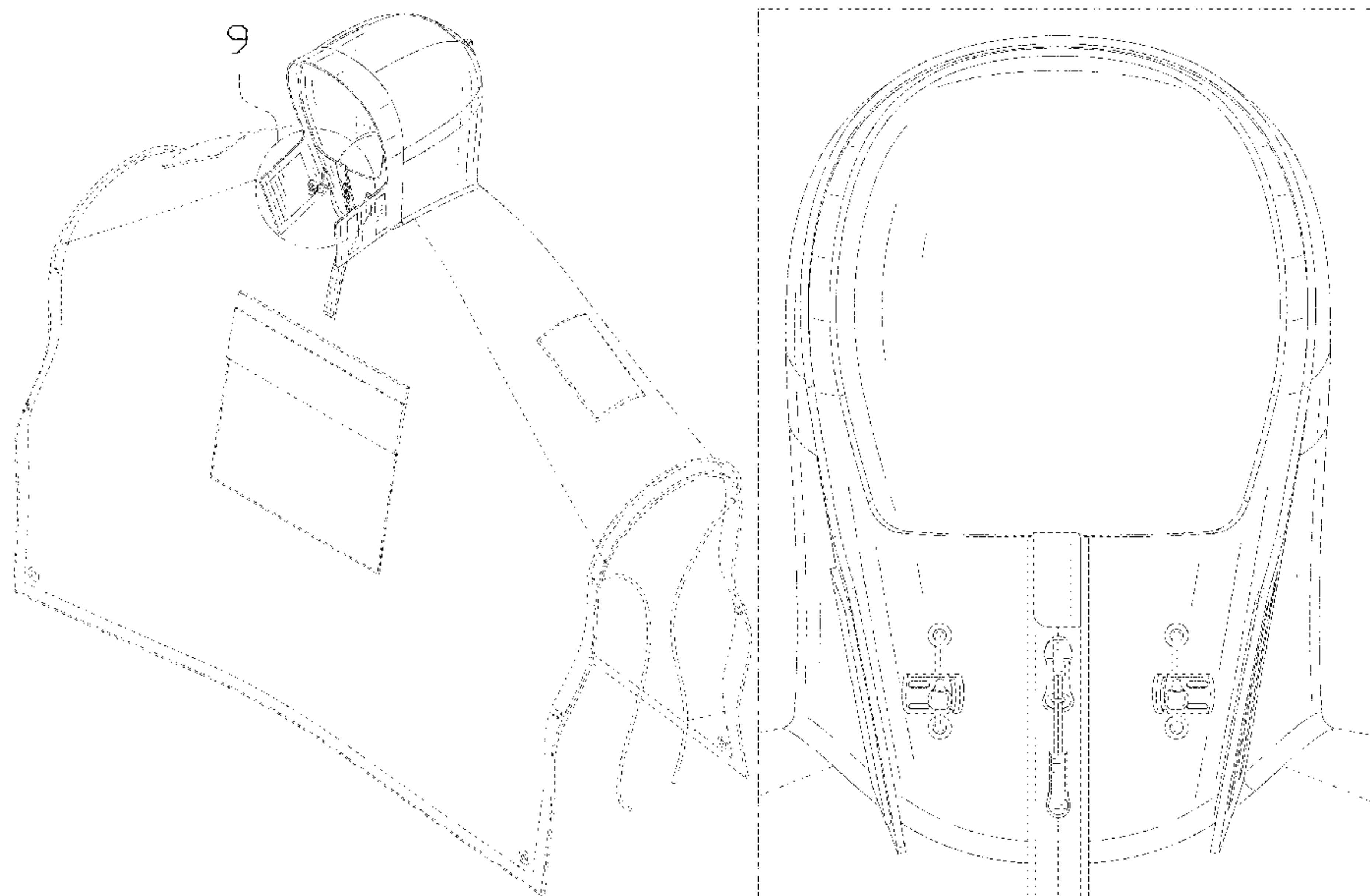
(57) **CLAIM**

The ornamental design for a raincoat, as shown and described.

DESCRIPTION

FIG. 1 is a perspective view of a raincoat showing my new design;
FIG. 2 is another perspective view thereof;
FIG. 3 is a front elevational view thereof;
FIG. 4 is a rear elevational view thereof;
FIG. 5 is a left side elevational view thereof;
FIG. 6 is a right side elevational view thereof;
FIG. 7 is a top plan view thereof;
FIG. 8 is a bottom plan view thereof;
FIG. 9 is an enlarged view of portion 9 shown in FIG. 1;
FIG. 10 is an enlarged view of portion 10 shown in FIG. 2;
and,
FIG. 11 is an enlarged view of portion 11 shown in FIG. 3.
The dash-dash broken lines in the drawings depict portions of the raincoat that form no part of the claimed design. The dot-dash broken lines represent boundaries of the enlarged portions and form no part of the claimed design.

1 Claim, 11 Drawing Sheets



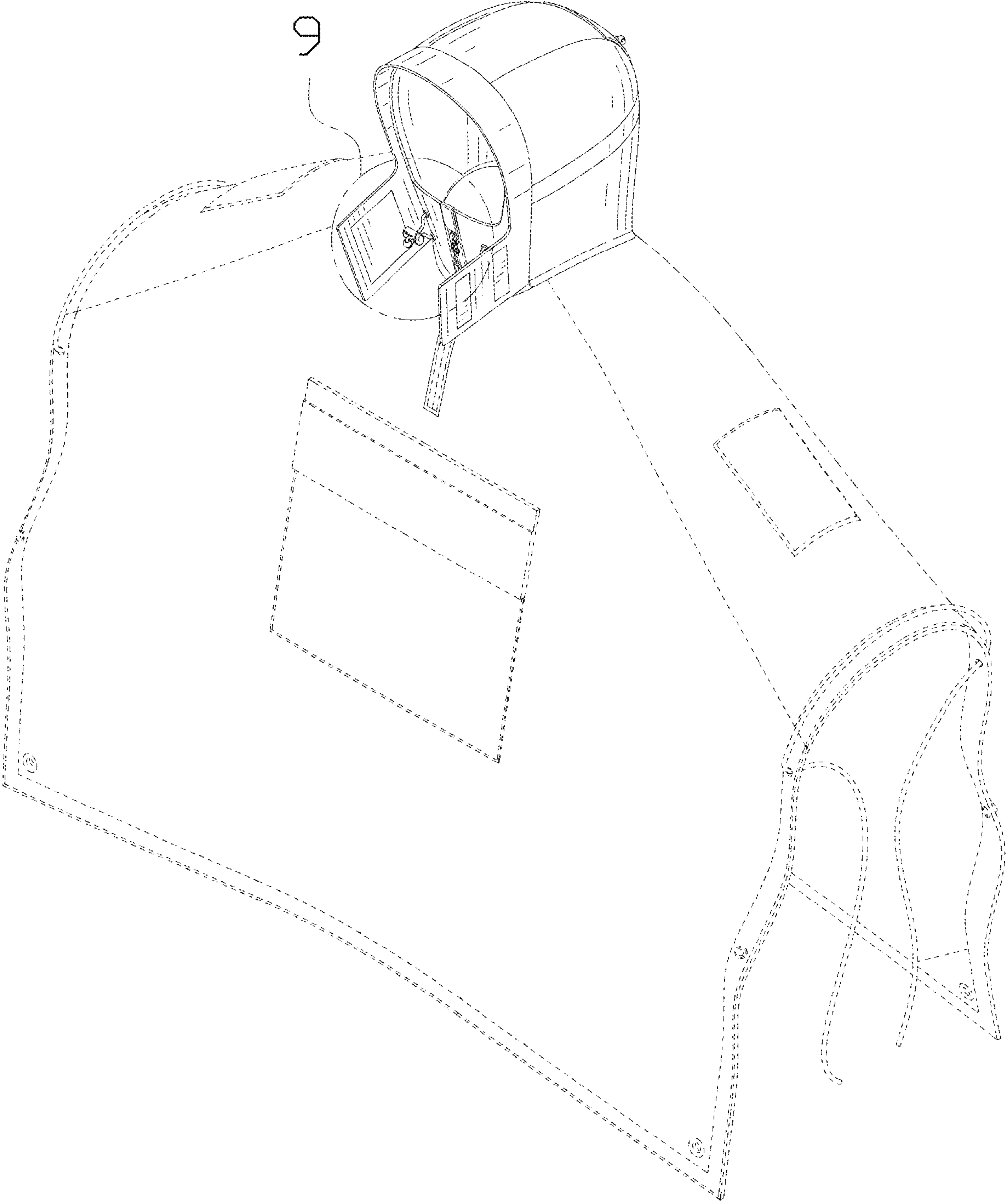


FIG. 1

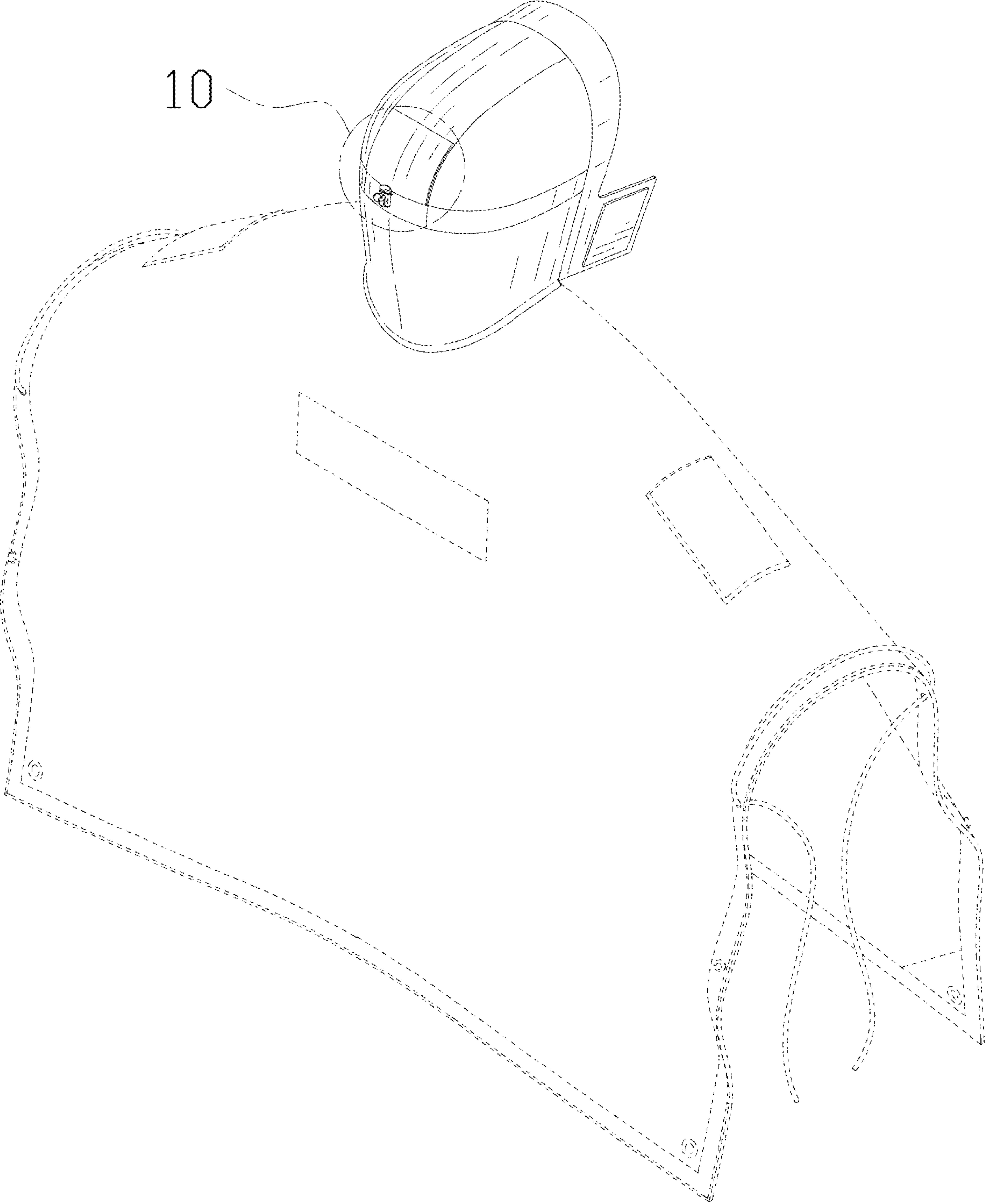


FIG. 2

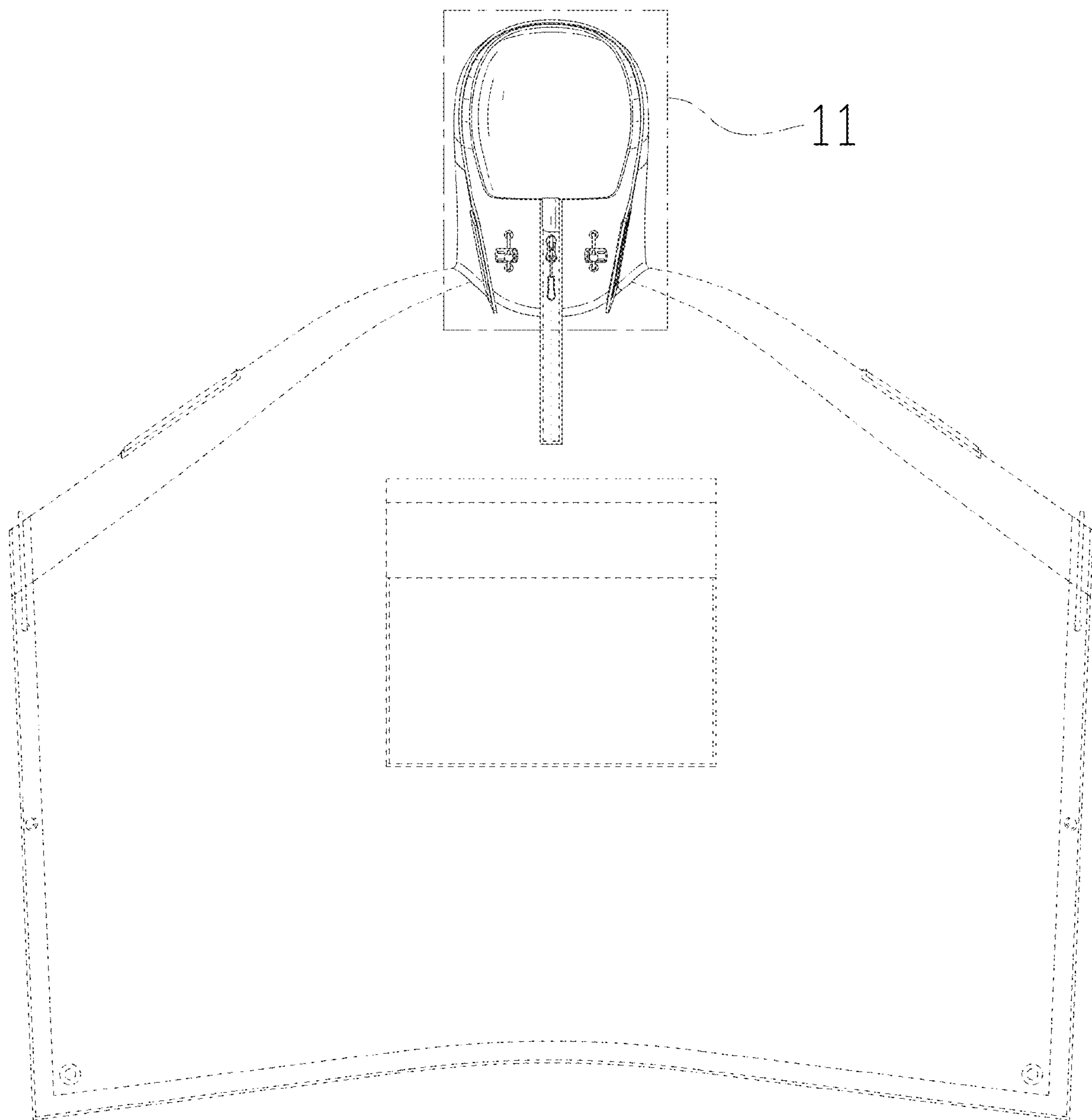


FIG. 3

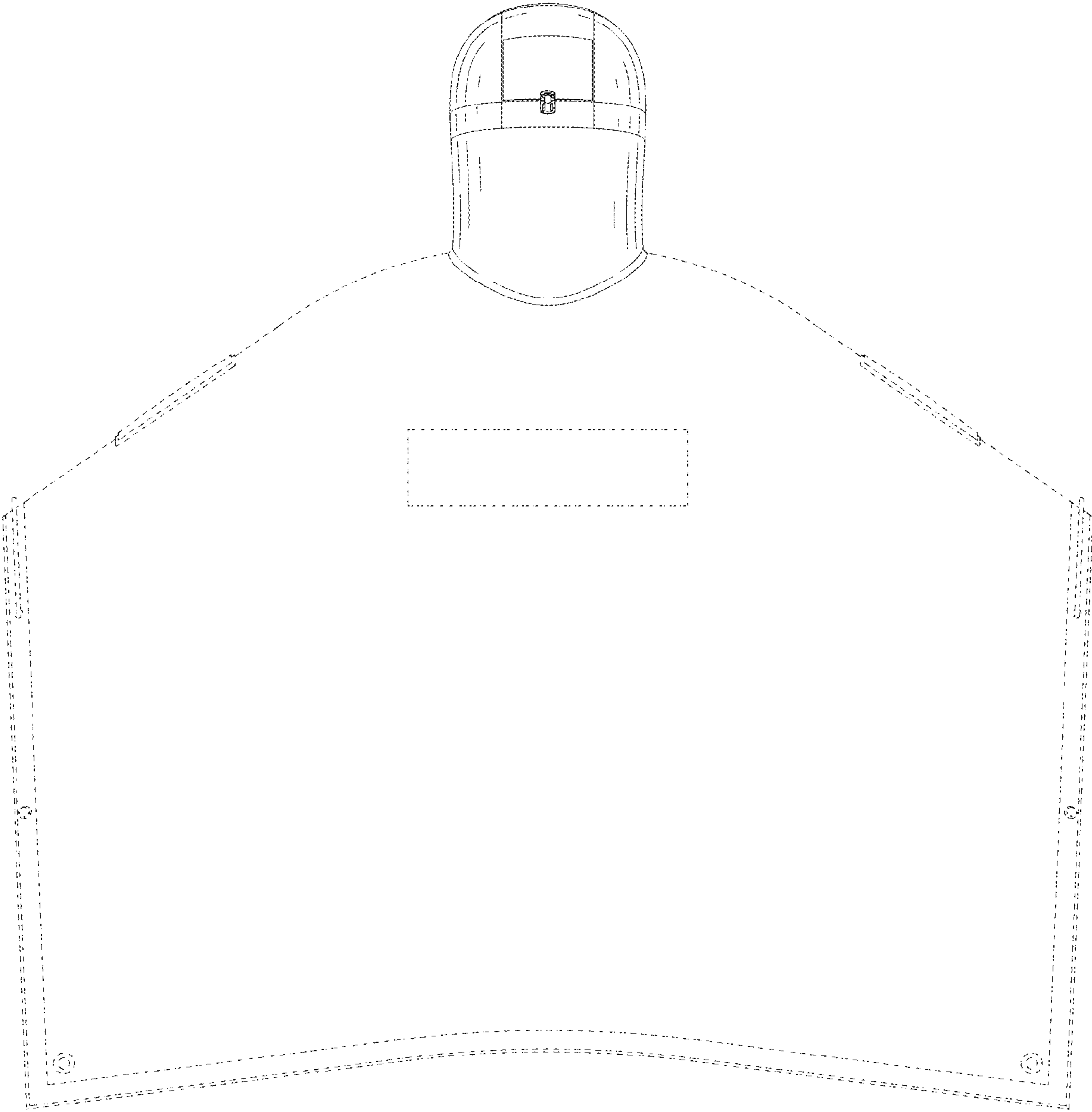


FIG. 4

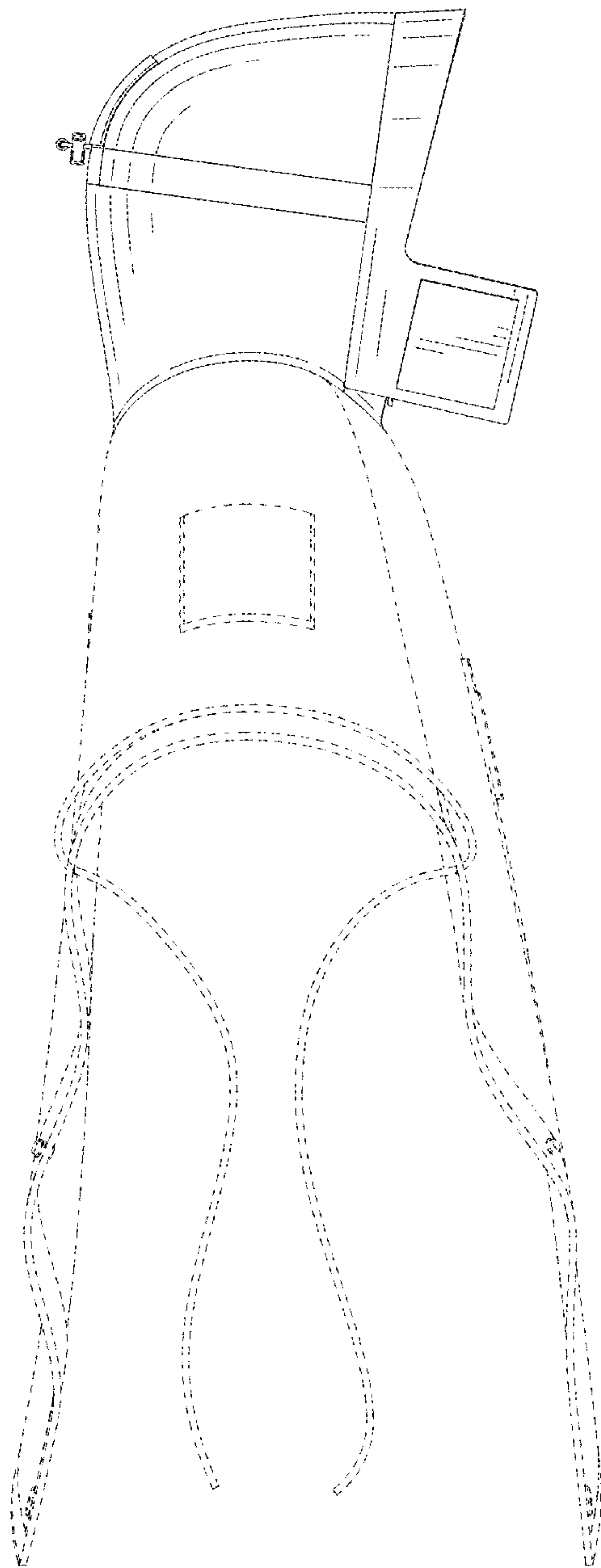


FIG. 5

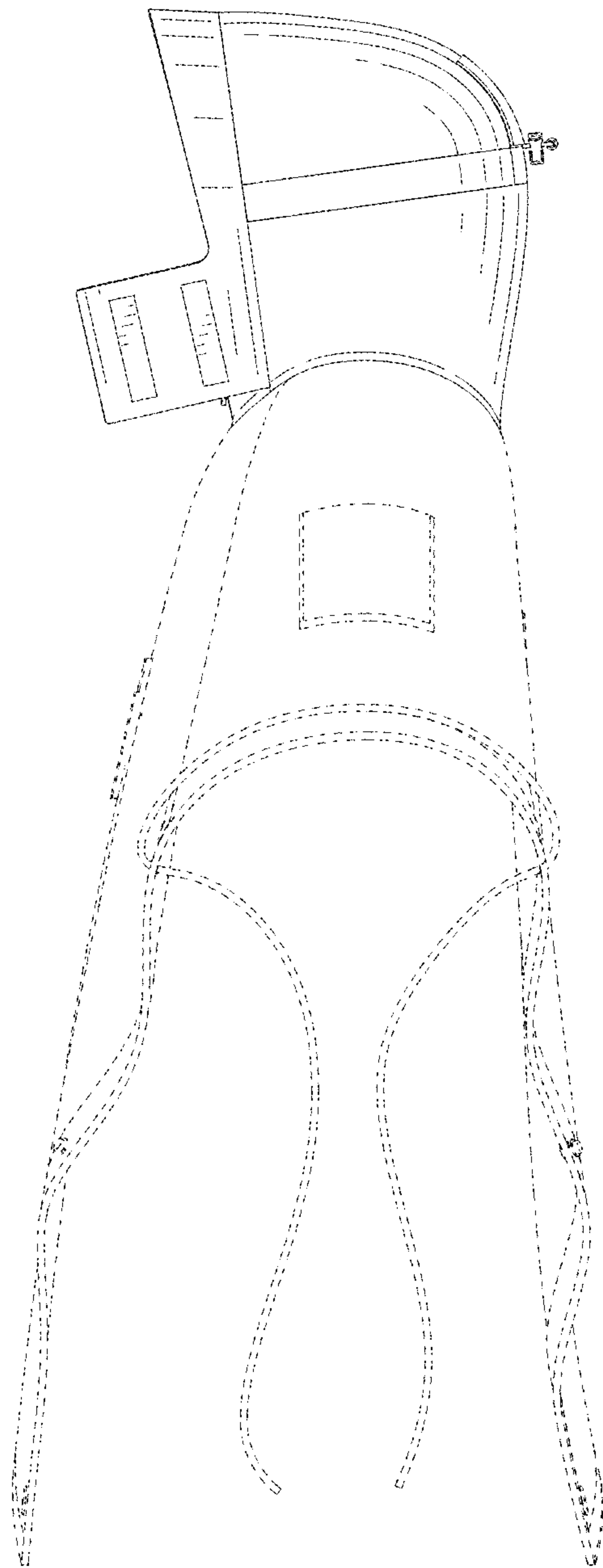


FIG. 6

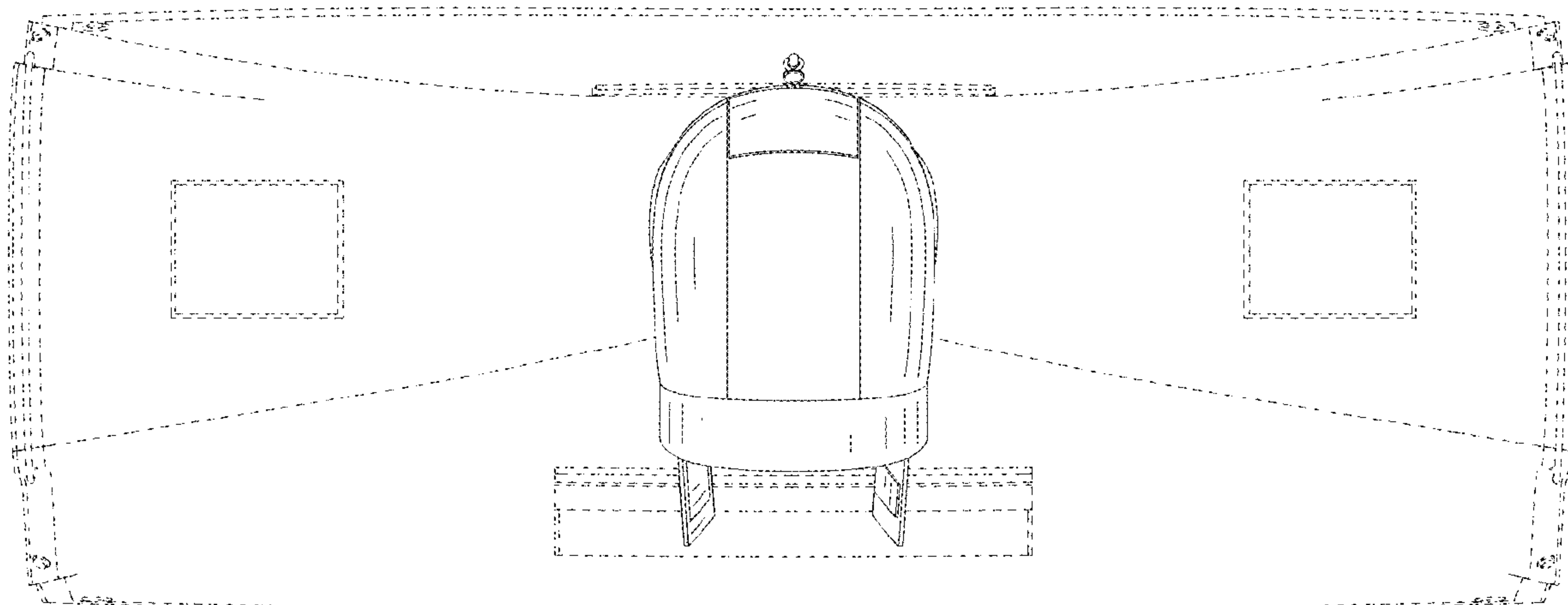


FIG. 7

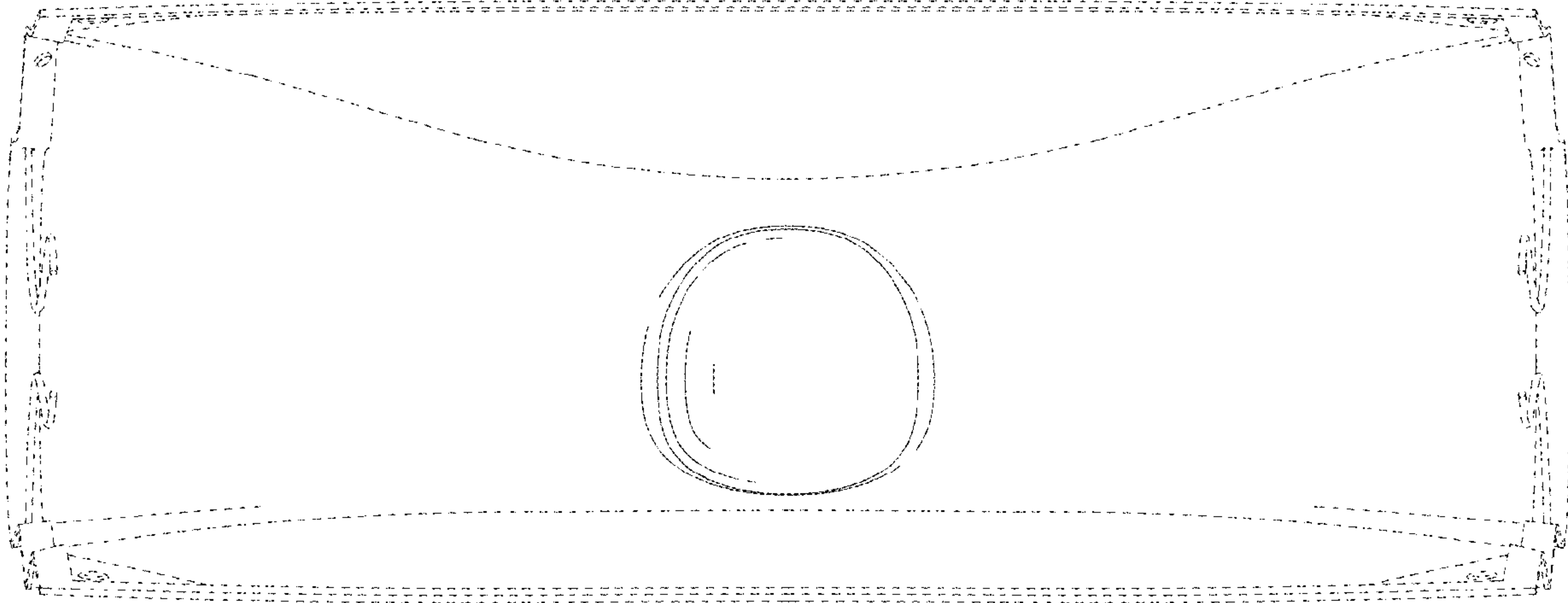


FIG. 8

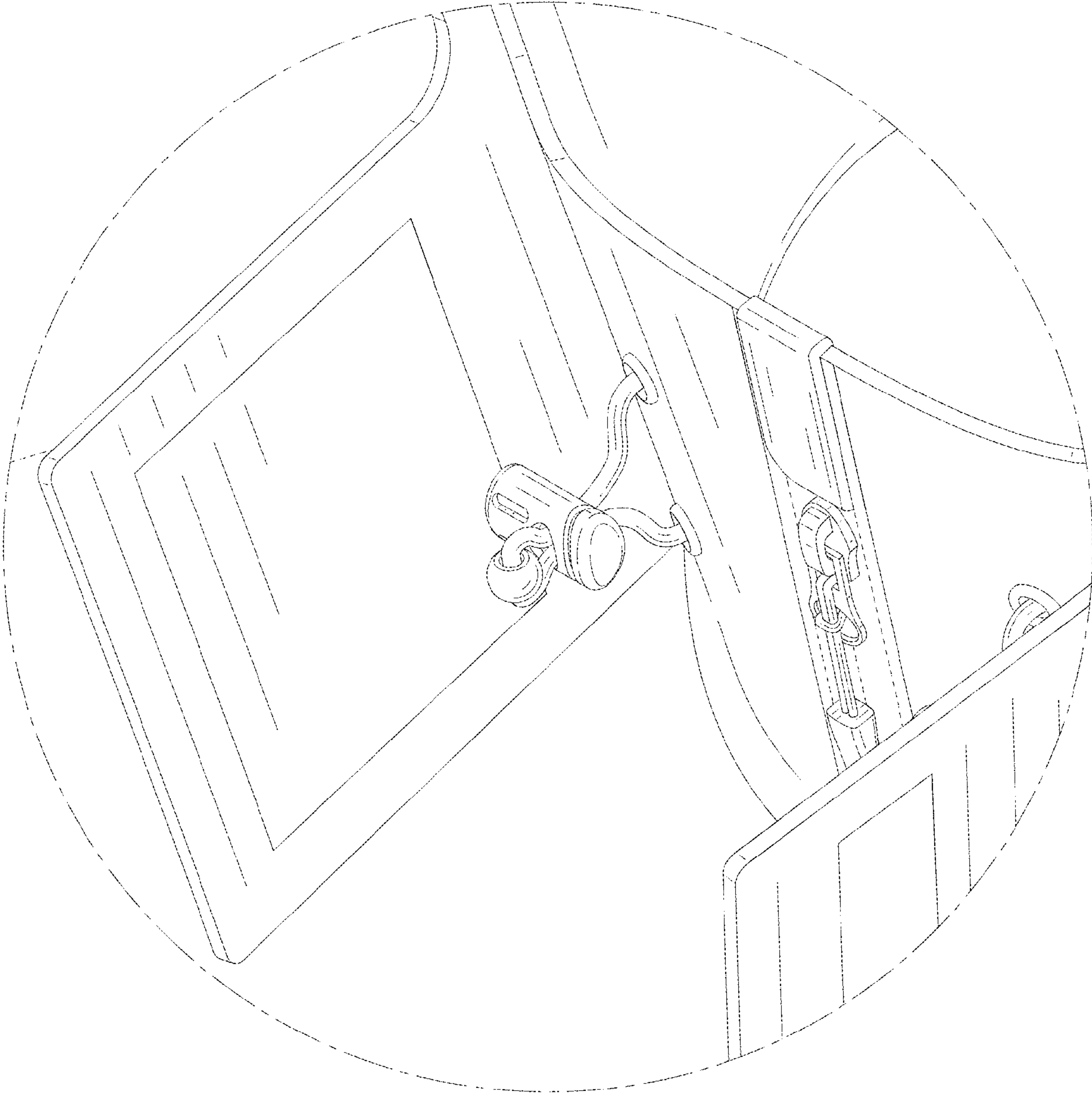


FIG. 9

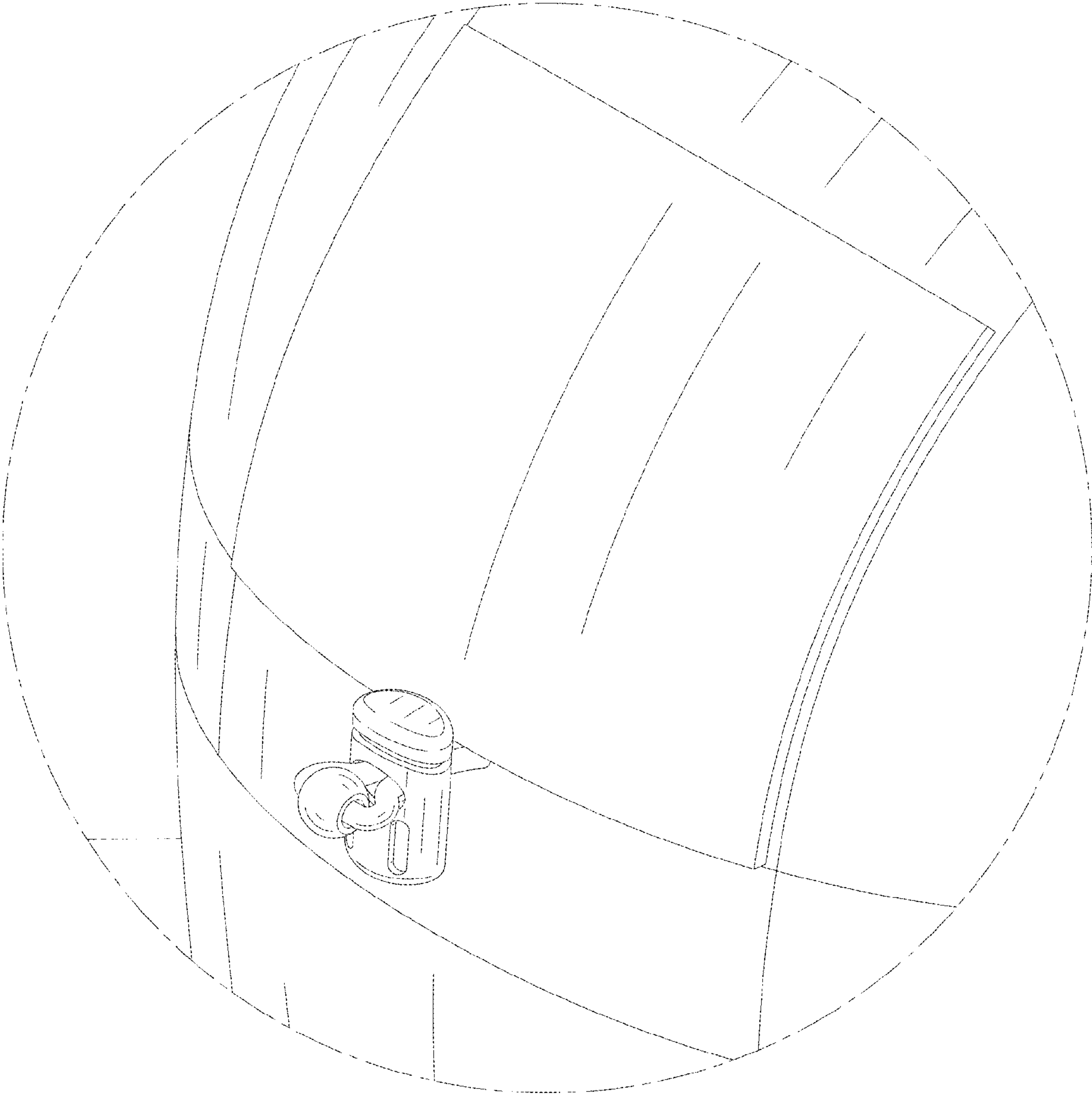


FIG. 10

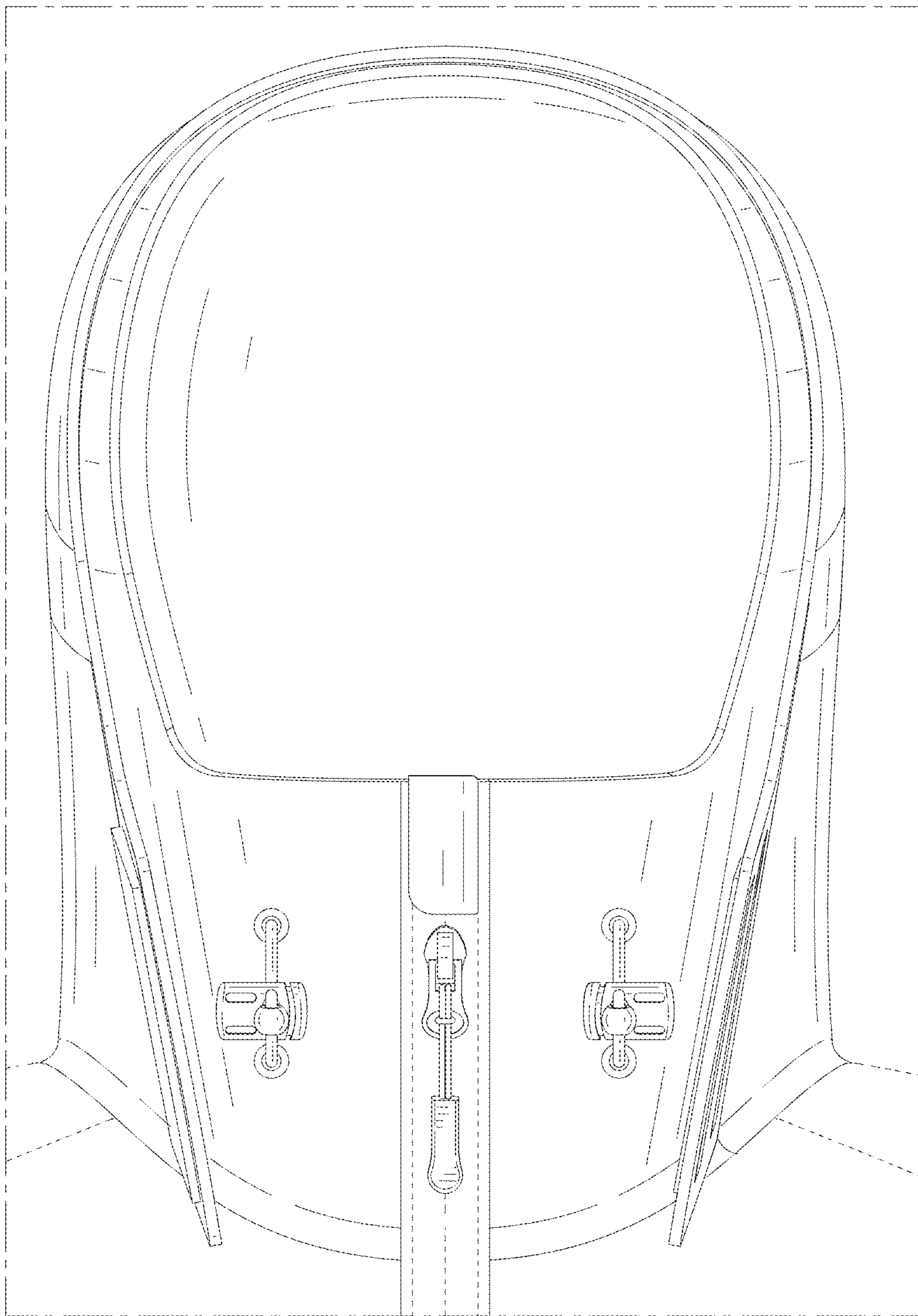


FIG. 11