



US00D968749S

(12) **United States Design Patent** (10) **Patent No.:** **US D968,749 S**
Yu et al. (45) **Date of Patent:** **** Nov. 8, 2022**

(54) **FOOD PRODUCT**

(71) Applicant: **Beijing Horizon Robotics Technology Research and Development Co., Ltd.**, Beijing (CN)

(72) Inventors: **Kai Yu**, Beijing (CN); **Huaizhang Wang**, Beijing (CN); **Kuangzheng Ding**, Beijing (CN)

(73) Assignee: **Beijing Horizon Robotics Technology Research and Development Co., Ltd.**, Beijing (CN)

(**) Term: **15 Years**

(21) Appl. No.: **29/715,085**

(22) Filed: **Nov. 27, 2019**

(30) **Foreign Application Priority Data**

May 31, 2019 (CN) 201930277434.X

(51) **LOC (13) Cl.** **01-01**

(52) **U.S. Cl.**
USPC **D1/127**

(58) **Field of Classification Search**
USPC D1/100–130, 199; 426/94, 104, 138, 426/143, 144, 274, 283, 303, 391, 512, 426/514, 518, 549; D6/597, 601; D8/8.1; D9/451, 707, 710, 715; D28/8.1, 8.2; D21/385, 386, 707; D24/101–104
CPC . A21C 11/12; A22C 13/0013; A21D 13/0016; A21D 13/0022; A21D 13/0025; A21D 13/0029; A21D 13/0074; A23G 3/54; A23G 4/20; A23G 9/48; A23L 1/005; A23L 1/0052; A23L 1/0067; A23L 1/16; A23L 1/1641; A23L 1/217; A23V 2002/00

See application file for complete search history.

(56) **References Cited**

U.S. PATENT DOCUMENTS

3,545,981	A *	12/1970	Stephen	A23G 3/2023	426/515
4,158,064	A *	6/1979	Banowitz	A23G 3/343	426/660
D288,380	S *	2/1987	Eldred	D1/127	
D321,648	S *	11/1991	Ricci	D9/600	
D327,563	S *	7/1992	Kesdekoglu	D1/127	
D556,427	S *	12/2007	Kaiser	D1/127	
D592,377	S *	5/2009	Lee	D1/127	
D622,930	S *	9/2010	Krumholz	D1/127	
D627,128	S *	11/2010	El Saifi	D1/127	
D693,086	S *	11/2013	Rana	D1/126	
D822,327	S *	7/2018	Rana	D1/126	
D864,517	S *	10/2019	Sli	D1/127	
2018/0047546	A1 *	2/2018	Zhang	H01J 37/32568	

* cited by examiner

Primary Examiner — Katie Jane Stofko

(74) *Attorney, Agent, or Firm* — K&L Gates LLP

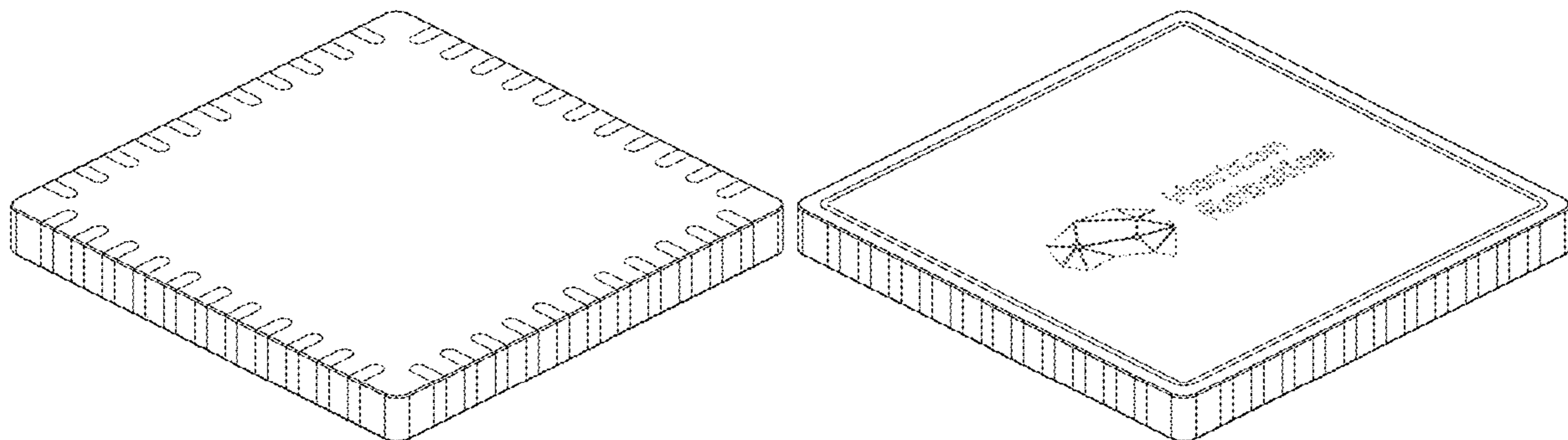
(57) **CLAIM**

The ornamental design for a food product, as shown and described.

DESCRIPTION

FIG. 1 is a front elevational view of a food product showing my new design;
FIG. 2 is a rear elevational view thereof;
FIG. 3 is a left side elevational view thereof;
FIG. 4 is a right side elevational view thereof;
FIG. 5 is a top plan view thereof;
FIG. 6 is a bottom plan view thereof;
FIG. 7 is a front perspective view thereof; and,
FIG. 8 is a rear perspective view thereof.

1 Claim, 5 Drawing Sheets



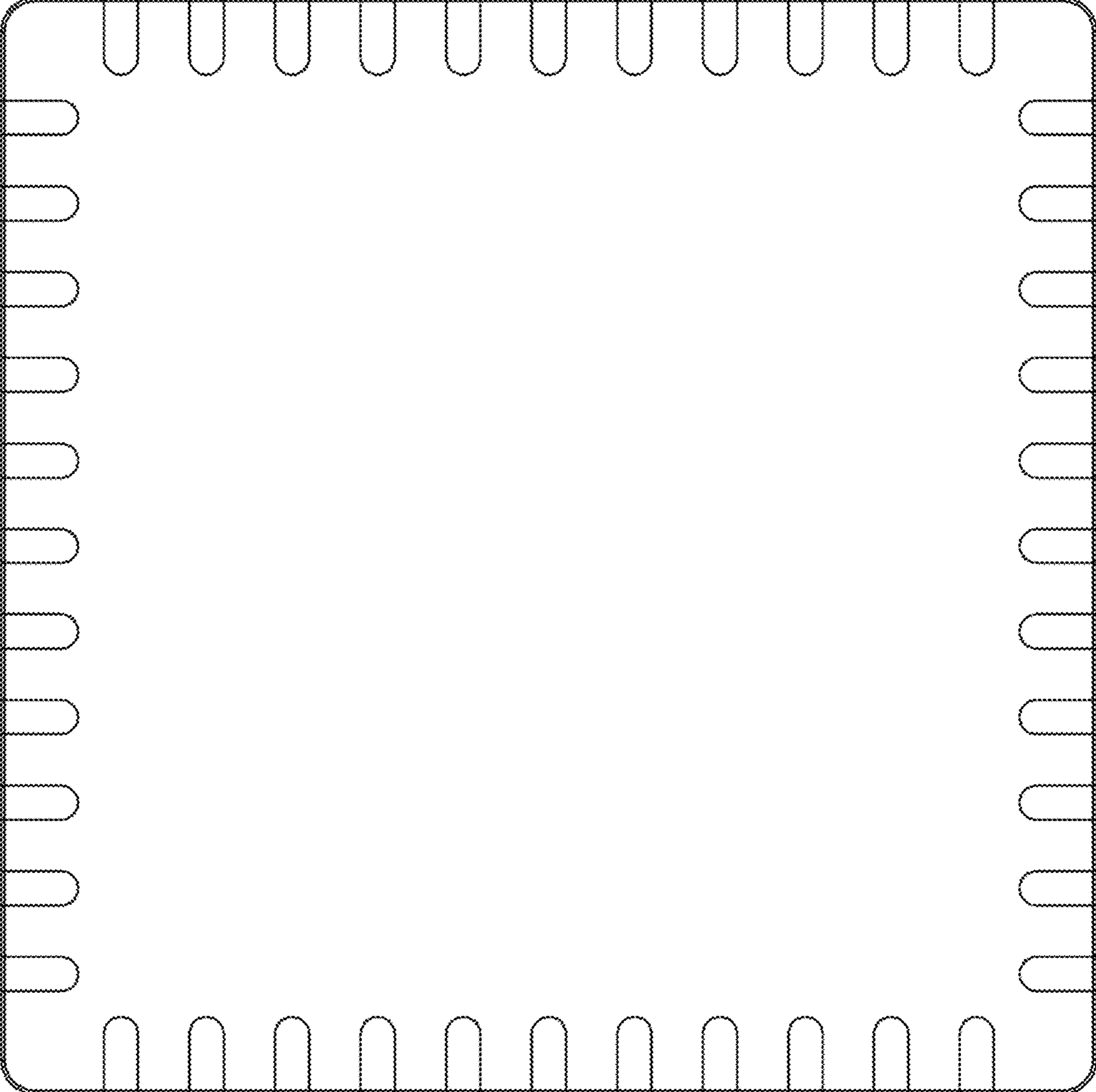


FIG. 1



FIG. 2

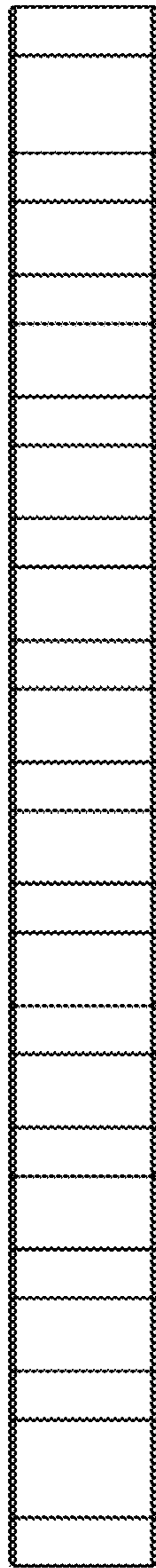


FIG. 3

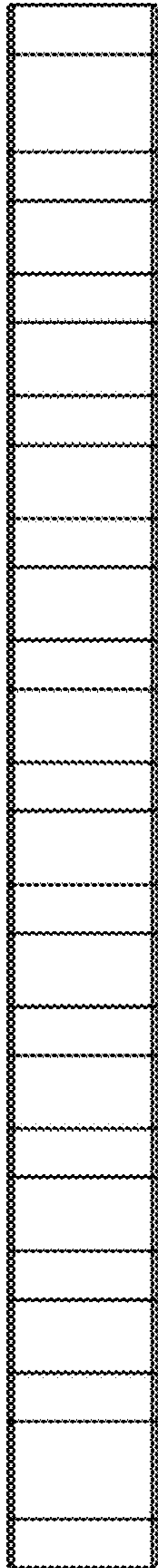


FIG. 4

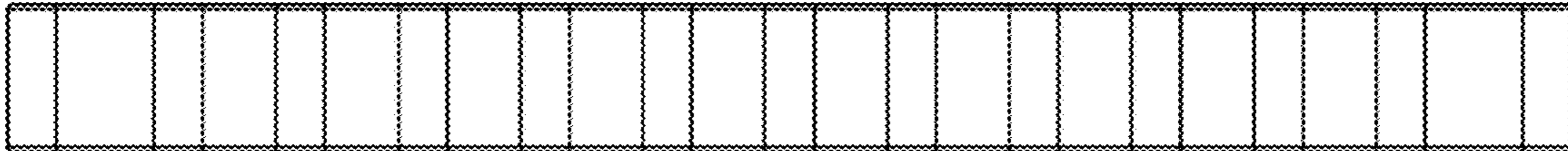


FIG. 5

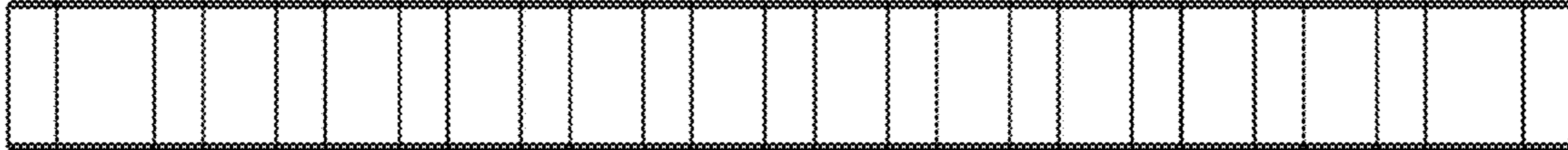


FIG. 6

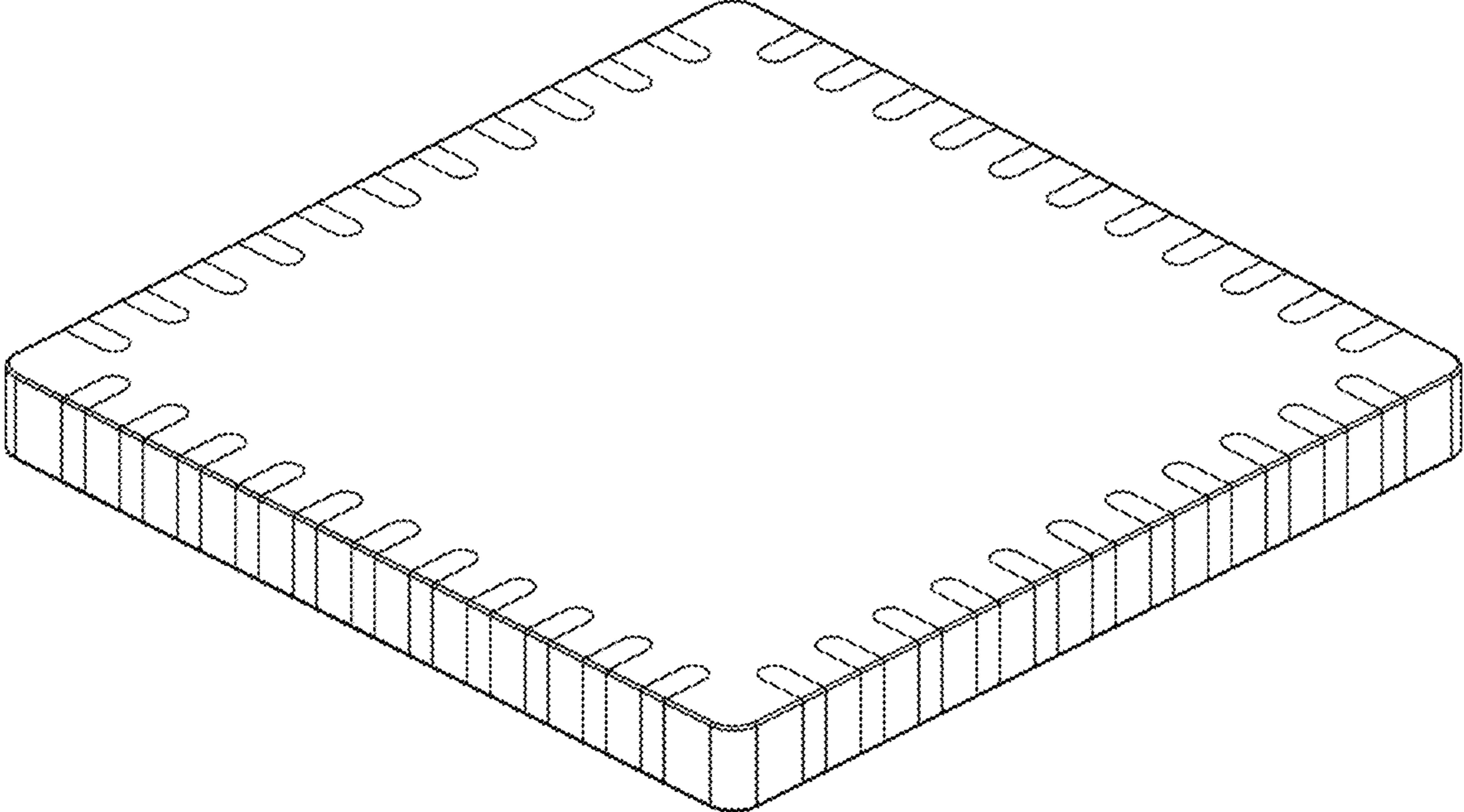


FIG. 7

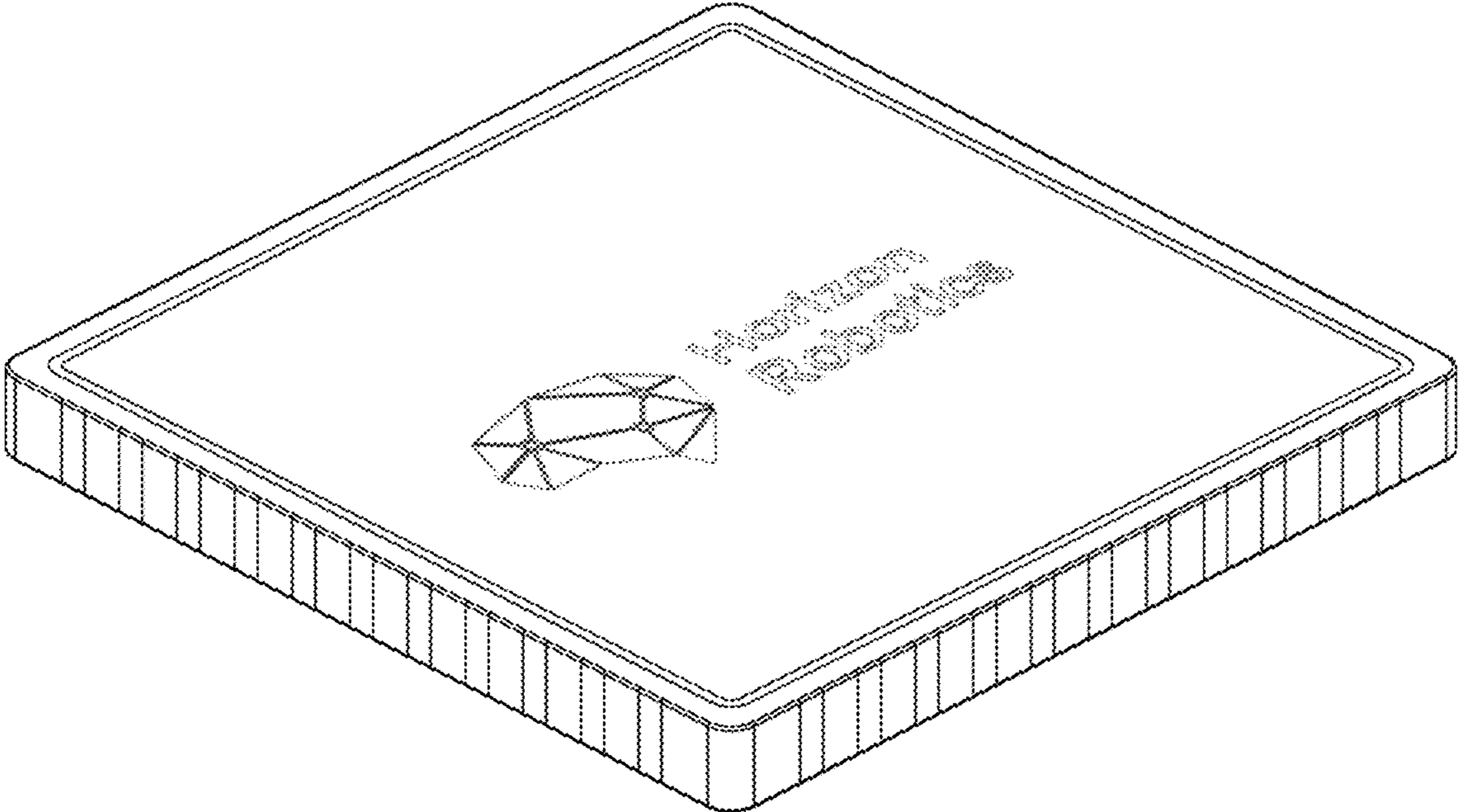


FIG. 8