



US00D968745S

(12) **United States Design Patent** (10) **Patent No.:** **US D968,745 S**  
**Isringhausen et al.** (45) **Date of Patent:** **\*\* Nov. 1, 2022**

- (54) **LIFTING ARM**
- (71) Applicant: **Cranemasters, Inc.**, North Chesterfield, VA (US)
- (72) Inventors: **Barry Isringhausen**, Providence Forge, VA (US); **Britt Calloway**, Midlothian, VA (US); **Jonathan Dip**, Glen Allen, VA (US); **Andrew Nitchie**, Richmond, VA (US)
- (73) Assignee: **Cranemasters, Inc.**, North Chesterfield, VA (US)

D272,827 S	2/1984	Sapelak	
4,576,406 A	3/1986	Johnson et al.	
D306,599 S	3/1990	Hunter	
5,163,804 A	11/1992	Kobayashi	
D332,271 S	1/1993	DuBose et al.	
5,184,860 A	2/1993	Bouillon et al.	
5,330,242 A	7/1994	Lucky, Sr.	
D354,605 S	1/1995	Lucky, Sr.	
5,620,298 A	4/1997	Barwise	
5,865,492 A	2/1999	Horton	
D408,609 S	4/1999	Oja et al.	
5,890,754 A	4/1999	Murr	
D412,913 S *	8/1999	Sasaki .....	D15/28
6,168,219 B1	1/2001	Futa	

(Continued)

(\*\*) Term: **15 Years**

*Primary Examiner* — Cynthia Ramirez

*Assistant Examiner* — Tamara L Hahn

(21) Appl. No.: **29/750,477**

(74) *Attorney, Agent, or Firm* — Sterne, Kessler, Goldstein & Fox P.L.L.C.

(22) Filed: **Sep. 14, 2020**

(57) **CLAIM**

(51) **LOC (13) Cl.** ..... **12-05**

The ornamental design for a lifting arm, as shown and described.

(52) **U.S. Cl.**

USPC ..... **D34/35**

(58) **Field of Classification Search**

USPC ..... D34/28, 33, 35; D15/28, 32

CPC ..... E02F 3/3681; E02F 3/4135; B66D 1/44;

B66D 1/425; B66C 3/16; B66C 3/14;

B66C 3/005; B66C 3/04

See application file for complete search history.

**DESCRIPTION**

FIG. 1 is a front perspective view of a lifting arm showing the claimed design;

FIG. 2 is a rear perspective view thereof;

FIG. 3 is a front view thereof;

FIG. 4 is a rear view thereof;

FIG. 5 is a left side view thereof;

FIG. 6 is a right side view thereof;

FIG. 7 is a top view thereof;

FIG. 8 is a bottom view thereof; and,

FIG. 9 is another right side view thereof in an environment in which it may be used.

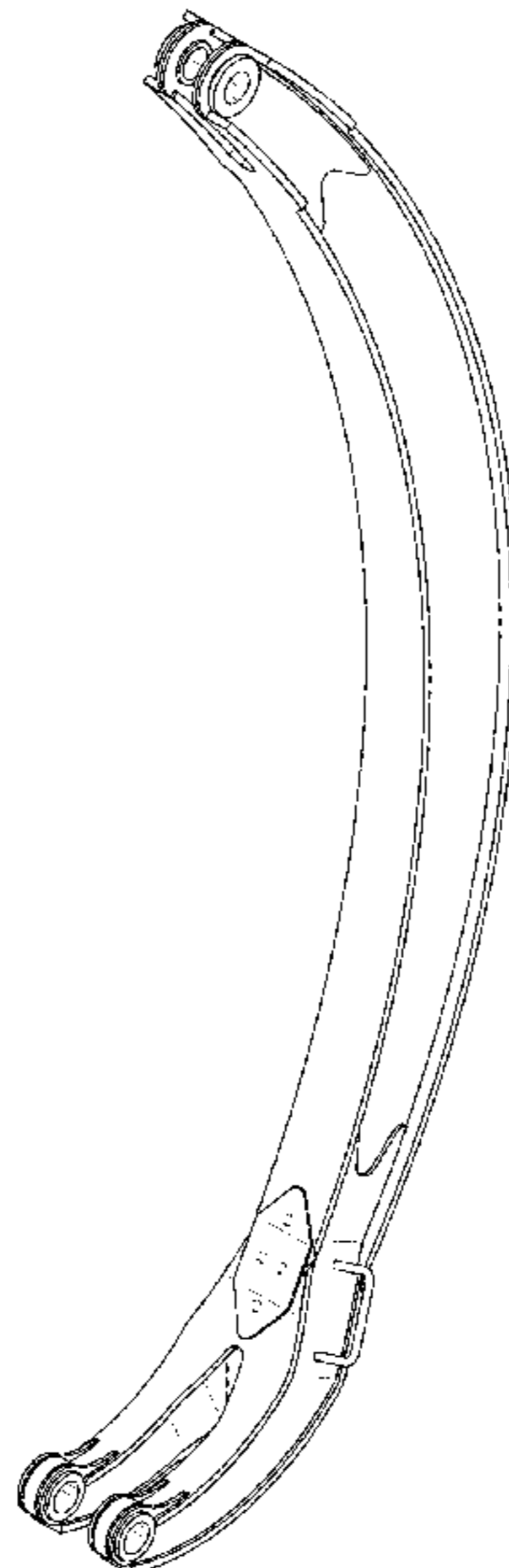
The broken lines in FIG. 9 show environment that forms no part of the claimed design, and all other broken lines in FIGS. 1-4 and 8 show portions of the lifting arm that form no part of the claimed design.

(56) **References Cited**

U.S. PATENT DOCUMENTS

D34,869 S *	7/1901	Hartig .....	D15/28
D189,049 S	10/1960	McElderry	
3,627,372 A	12/1971	Carpenter et al.	
3,841,507 A	10/1974	Barwise	
3,877,743 A	4/1975	Johnson	
3,972,431 A	8/1976	Fischer	
4,005,894 A	2/1977	Tucek	
4,022,331 A	5/1977	Bean et al.	
4,023,848 A	5/1977	Bennett	
4,358,147 A	11/1982	Hungerford	

**1 Claim, 7 Drawing Sheets**



(56)

**References Cited**

U.S. PATENT DOCUMENTS

D442,757	S *	5/2001	Loflin, Sr. ....	D15/32
D496,945	S	10/2004	Daniel	
D518,075	S *	3/2006	Westendorf .....	D15/32
7,066,076	B2	6/2006	Roy et al.	
D533,883	S *	12/2006	Higashikawa .....	D15/32
D538,829	S *	3/2007	Nilsson .....	D15/28
7,785,057	B2	8/2010	Noonan et al.	
7,963,230	B2	6/2011	Simpson et al.	
D645,062	S	9/2011	Lavalley et al.	
D656,164	S *	3/2012	Nilsson .....	D15/28
8,156,720	B2	4/2012	Daraie et al.	
D697,945	S	1/2014	Healey et al.	
D779,565	S	2/2017	Jensen	
10,150,651	B2	12/2018	Isringhausen et al.	
10,577,226	B2	3/2020	Isringhausen et al.	
D920,390	S	5/2021	Johnson et al.	
D923,062	S *	6/2021	Park .....	D15/32
D930,052	S *	9/2021	Isringhausen .....	B66C 1/425
				D15/32
D931,342	S *	9/2021	Isringhausen .....	B66C 1/44
				D15/32
2005/0100432	A1	5/2005	Mattson et al.	
2005/0200146	A1 *	9/2005	Mieger .....	E02F 9/2883
				294/106
2007/0130808	A1	6/2007	Peterson et al.	
2013/0069383	A1	3/2013	Sunde et al.	
2014/0028038	A1	1/2014	LaValley et al.	
2019/0382244	A1	12/2019	Hawkes	

\* cited by examiner

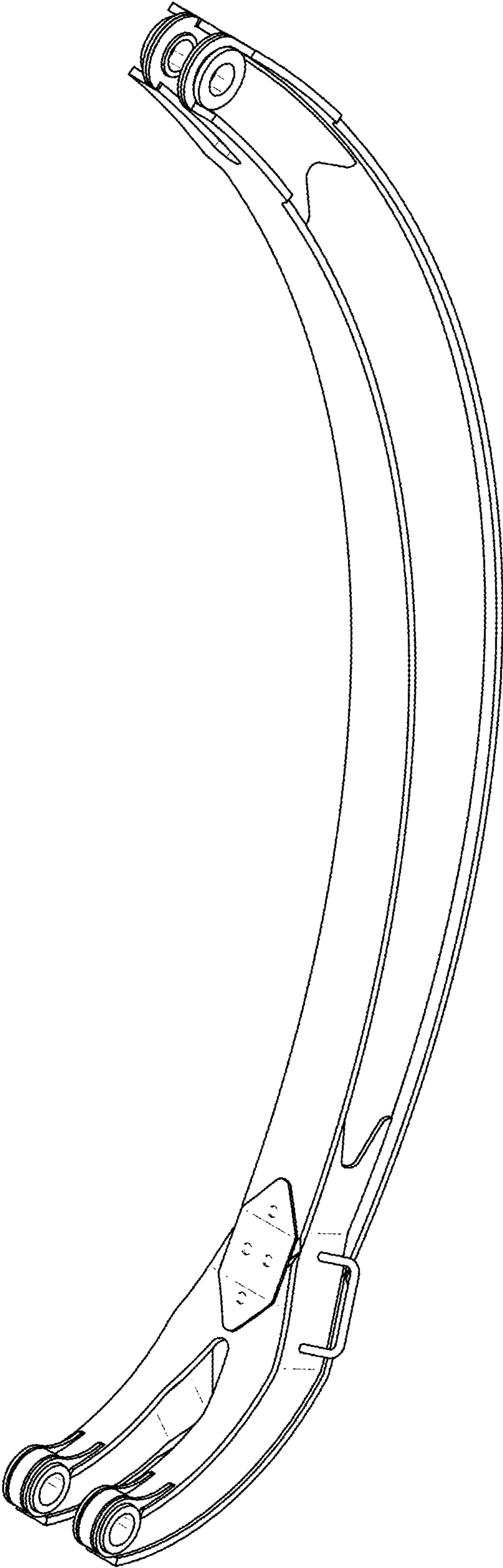


FIG. 1

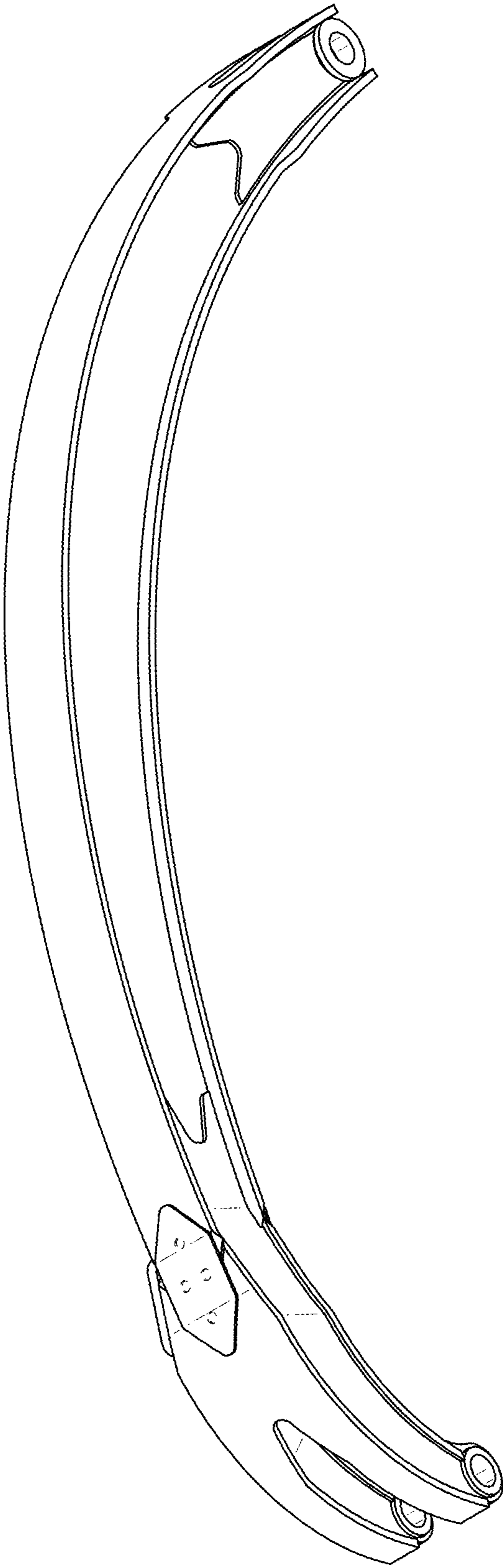
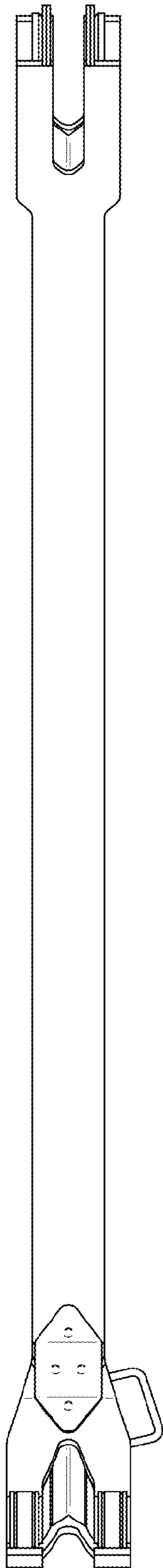
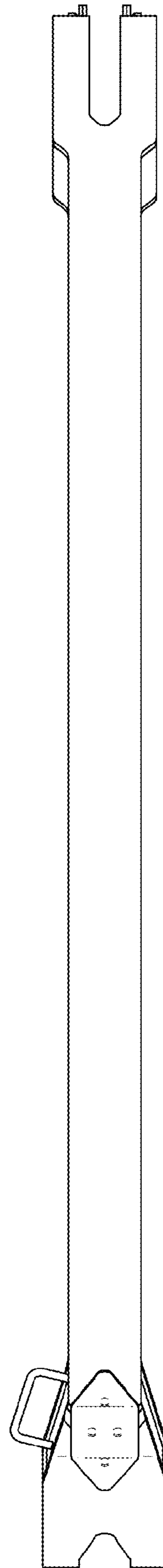


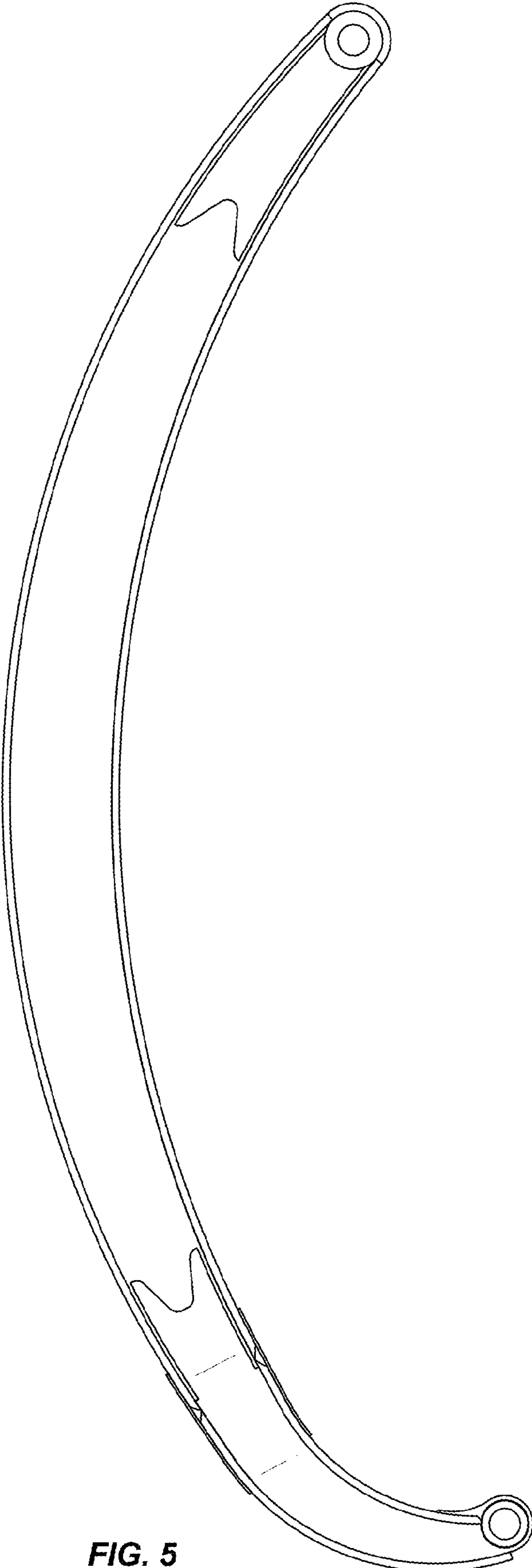
FIG. 2



**FIG. 3**



**FIG. 4**



**FIG. 5**

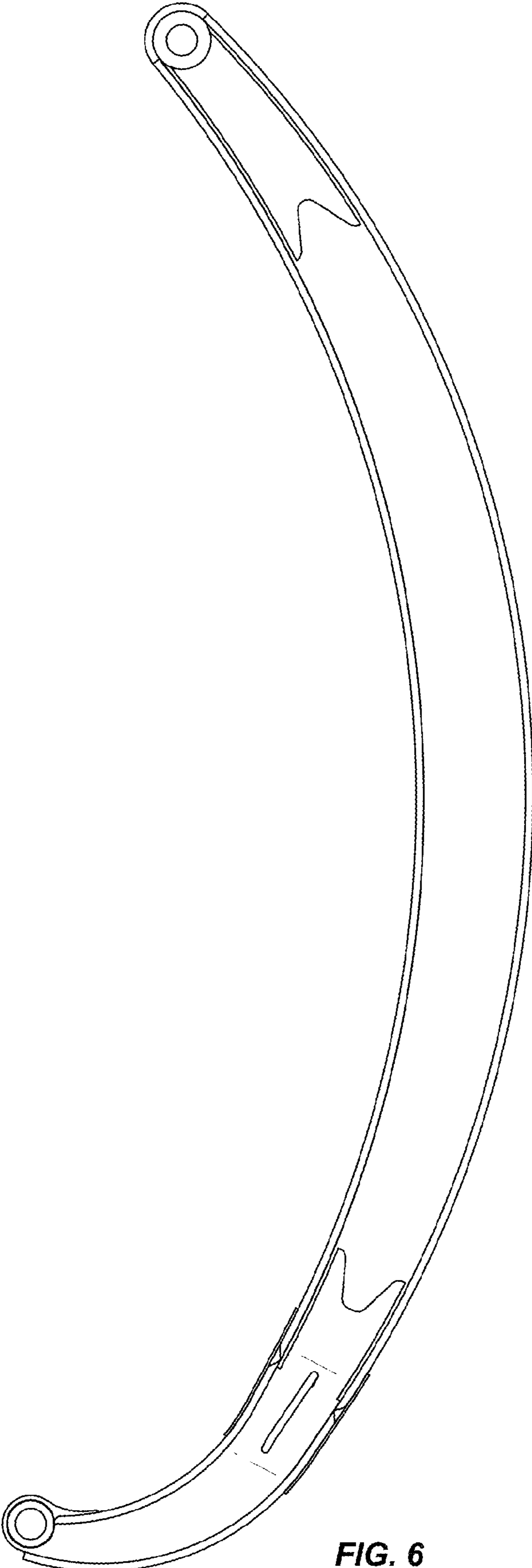
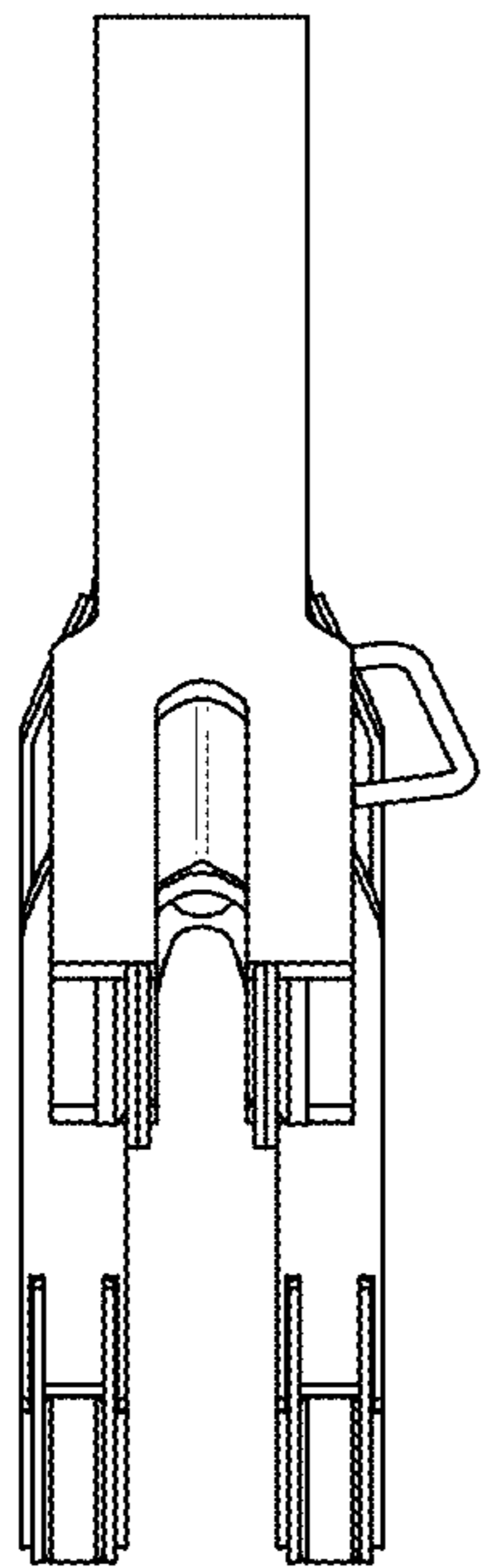
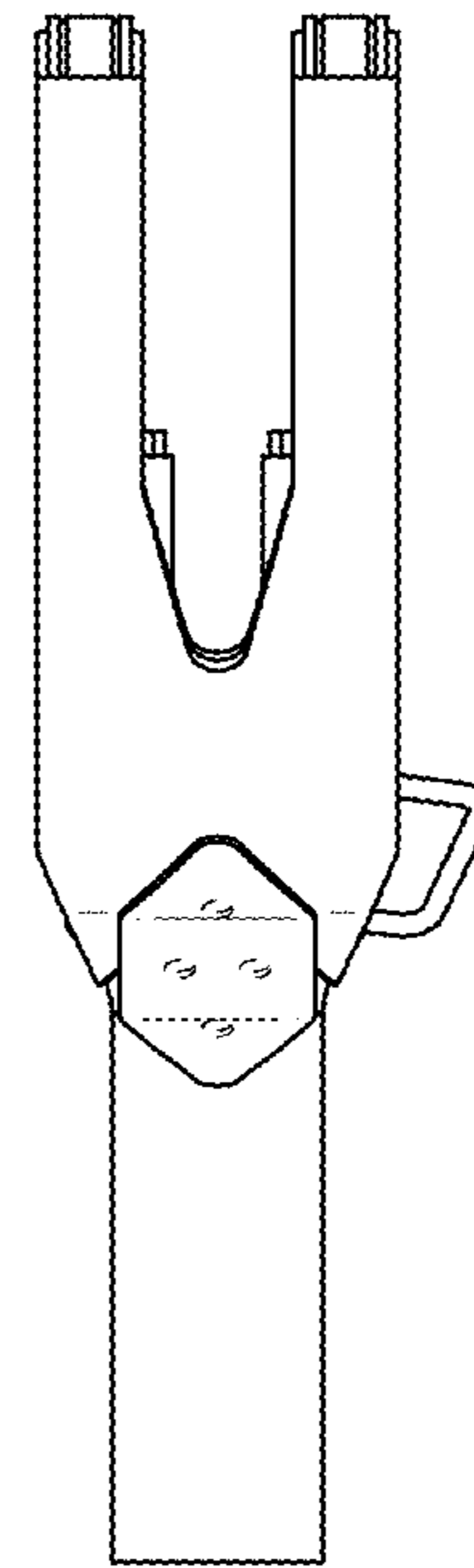


FIG. 6



**FIG. 7**



**FIG. 8**



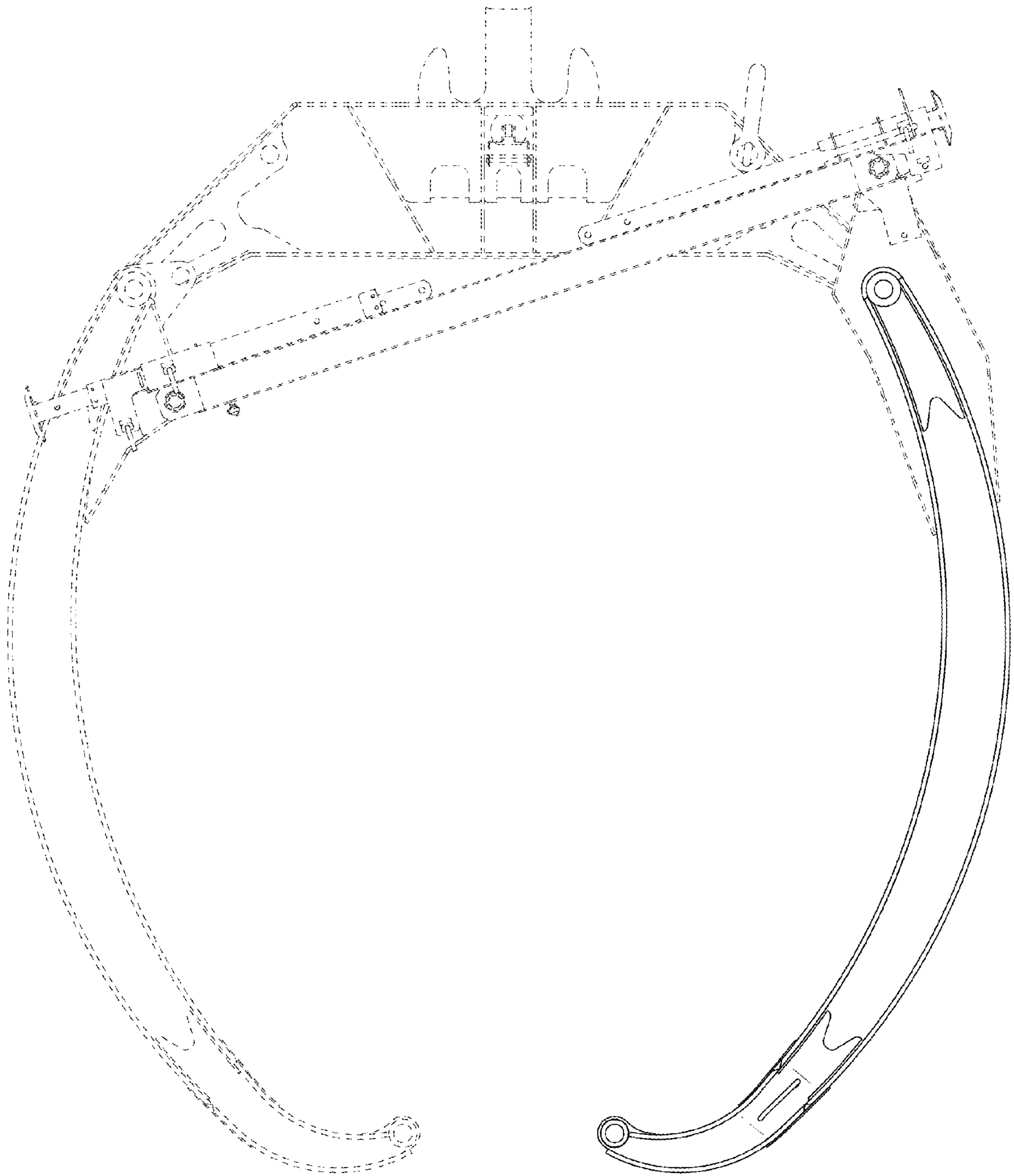


FIG. 9