



US00D968744S

(12) **United States Design Patent** (10) **Patent No.:** **US D968,744 S**
Barness (45) **Date of Patent:** **** Nov. 1, 2022**

(54) **PROTECTIVE LINER FOR SHOPPING CART**

(74) *Attorney, Agent, or Firm* — Thomas W. Galvani, P.C.; Thomas W. Galvani

(71) Applicant: **Safe Products LLC**, Scottsdale, AZ (US)

(57) **CLAIM**

(72) Inventor: **Andrea L. Barness**, Scottsdale, AZ (US)

The ornamental design for a protective liner for shopping cart, as shown and described.

(**) Term: **15 Years**

DESCRIPTION

(21) Appl. No.: **29/758,152**

(22) Filed: **Nov. 12, 2020**

Related U.S. Application Data

(63) Continuation-in-part of application No. 29/741,344, filed on Jul. 12, 2020, now Pat. No. Des. 916,414, (Continued)

(51) **LOC (13) Cl.** **12-02**

(52) **U.S. Cl.**
USPC **D34/27**

(58) **Field of Classification Search**
USPC **D34/27**

(Continued)

(56) **References Cited**

U.S. PATENT DOCUMENTS

2,235,293 A 3/1941 Mellon
3,349,936 A 10/1967 Morton et al.
(Continued)

FOREIGN PATENT DOCUMENTS

DE 202013004899 U1 10/2013
FR 2758119 A1 7/1998

OTHER PUBLICATIONS

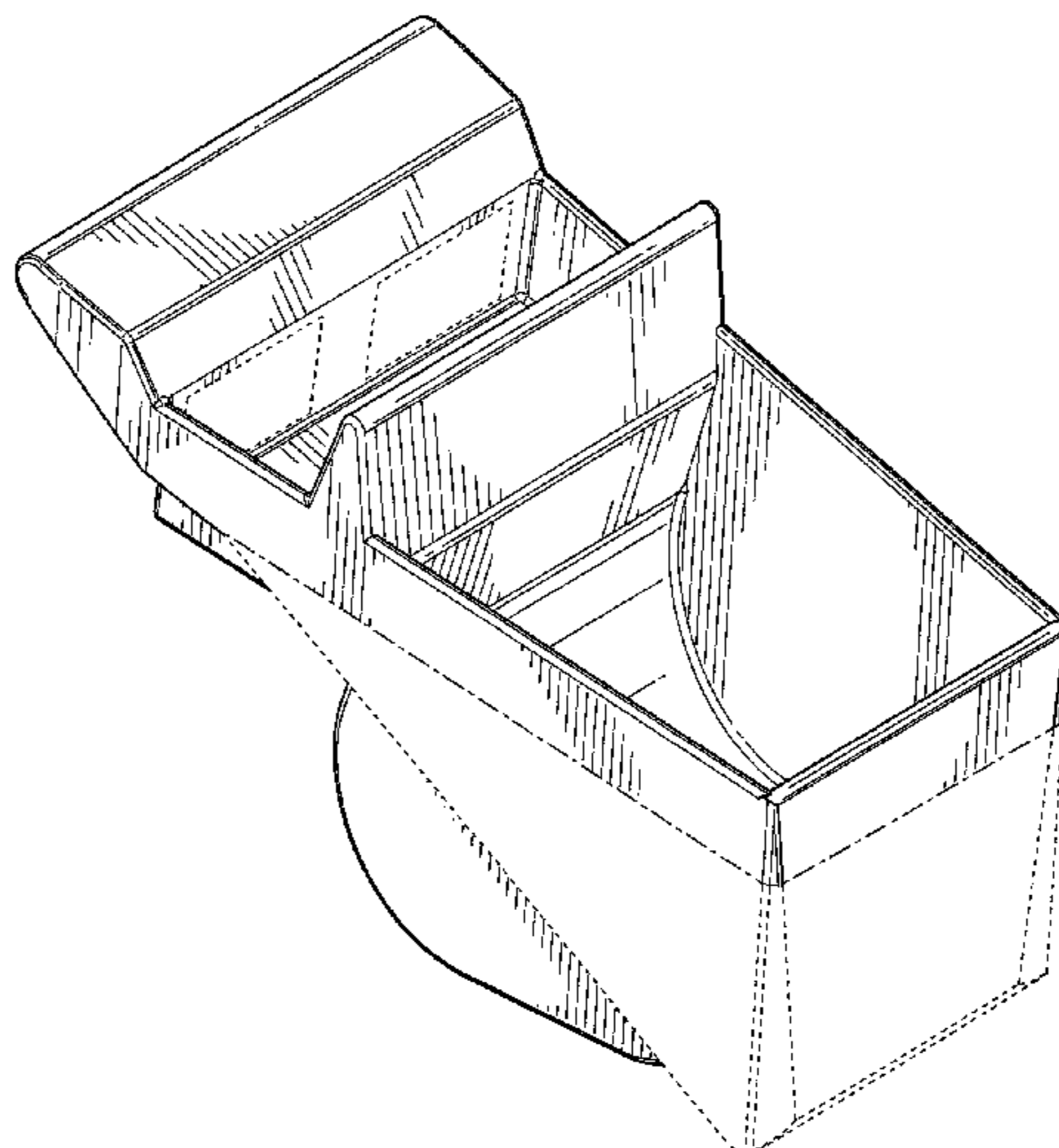
U.S. Appl. No. 29/737,036, filed Jun. 4, 2020, Barness.
(Continued)

FIG. 1 is a front top perspective view of a protective liner for shopping cart shown in accordance with my new design; FIG. 2 is a front bottom perspective view of the protective liner for shopping cart shown in FIG. 1; FIG. 3 is a rear top perspective view of the protective liner for shopping cart shown in FIG. 1; FIG. 4 is a rear bottom perspective view of the protective liner for shopping cart shown in FIG. 1; FIG. 5 is another rear bottom perspective view of the protective liner for shopping cart shown in FIG. 1; FIG. 6 is a front elevation view of the protective liner for shopping cart shown in FIG. 1; FIG. 7 is a rear elevation view of the protective liner for shopping cart shown in FIG. 1; FIG. 8 is a left side elevation view of the protective liner for shopping cart shown in FIG. 1; FIG. 9 is a right side elevation view of the protective liner for shopping cart shown in FIG. 1; FIG. 10 is a top plan view of the protective liner for shopping cart shown in FIG. 1; FIG. 11 is a bottom plan view of the protective liner for shopping cart shown in FIG. 1; and, FIG. 12 is a front top perspective view of the protective liner for shopping cart shown in FIG. 1, applied to a shopping cart.

The dash-dash broken lines shown in the figures show portions of the protective liner for a shopping cart which form no part of the claimed design. The shopping cart shown in dash-dash broken lines in FIG. 12 shows environment and forms no part of the claimed design. The dash-dot broken lines define the bounds of the claimed design and form no part thereof.

Primary Examiner — Cynthia Ramirez

1 Claim, 9 Drawing Sheets



Related U.S. Application Data

which is a continuation-in-part of application No. 29/731,939, filed on Apr. 20, 2020, now Pat. No. Des. 890,465, and a continuation-in-part of application No. 29/731,790, filed on Apr. 17, 2020, now Pat. No. Des. 890,464.

(58) **Field of Classification Search**

CPC B62B 5/069; B62B 5/0013; B62B 3/1448; B62B 3/1436; B62B 3/1416
See application file for complete search history.

(56) **References Cited**

U.S. PATENT DOCUMENTS

3,578,380	A	5/1971	Jacobus
D305,469	S	1/1990	Mautner
5,097,979	A	3/1992	McDermott et al.
5,238,293	A	8/1993	Gibson
5,240,134	A	8/1993	McDermott et al.
5,310,077	A	5/1994	McDermott et al.
D358,937	S	6/1995	Duckworth
5,678,888	A	10/1997	Sowell et al.
D398,128	S	9/1998	Laivins et al.
5,829,835	A	11/1998	Rogers et al.
5,865,407	A	2/1999	Effa
5,941,408	A	8/1999	Sherman
6,129,417	A	10/2000	Cohen-Fyffe
6,237,998	B1	5/2001	Aprile
D448,169	S	9/2001	Rine et al.
6,296,138	B1	10/2001	Hannah et al.
6,491,996	B2	12/2002	Digangi
6,517,155	B1	2/2003	Landine
D477,717	S	7/2003	Gillenwater
6,615,543	B1	9/2003	Palsrok
D484,665	S	12/2003	Richardson
6,702,381	B2	3/2004	Endicott et al.
D492,830	S	7/2004	Rogers
6,848,743	B1	2/2005	Collins
6,851,750	B2	2/2005	Sampson et al.
7,100,982	B2	9/2006	Lundgren
7,320,411	B1	1/2008	Shenosky et al.
7,367,621	B1	5/2008	Han-Dressor et al.
7,374,182	B2	5/2008	Gurley et al.
D582,451	S	12/2008	Davies et al.
D590,567	S	4/2009	Latham
8,042,869	B2	10/2011	McClintock et al.
8,113,580	B1	2/2012	Pusateri
D672,932	S	12/2012	Fredendall et al.
D672,933	S	12/2012	Fredendall et al.
D676,241	S	2/2013	Merrill
D677,851	S	3/2013	Harris
D681,900	S	5/2013	Fredendall et al.
8,807,578	B1	8/2014	Huguley
D732,784	S	6/2015	Halsted
D748,884	S	2/2016	Evans et al.
D773,238	S	12/2016	Matthews et al.
10,086,977	B2	10/2018	Ruha et al.
D852,451	S	6/2019	Falato
D890,464	S	4/2020	Barness
D890,465	S	4/2020	Barness

D882,970	S	5/2020	Matsuyama
D916,414	S	*	4/2021 Barness D34/27
D923,278	S	*	6/2021 Statzer D34/27
2004/0160097	A1	8/2004	Magnusdottir
2008/0258528	A1	10/2008	Bush et al.
2009/0020657	A1	1/2009	Dayton et al.
2010/0001480	A1	1/2010	Forde
2011/0012404	A1	1/2011	Cariera
2011/0285098	A1	11/2011	Fragale
2016/0129927	A1	5/2016	Russell et al.
2017/0129521	A1	5/2017	Conroy et al.
2017/0291627	A1	10/2017	Grimmond-Schultz
2022/0017135	A1	*	1/2022 Padilla-Diamond B62B 5/0013

OTHER PUBLICATIONS

U.S. Appl. No. 29/741,344, filed Jul. 12, 2020, Barness.
American Metalcraft WBCLINER Plastic Liner for 7" Metal Baskets (https://www.webstaurantstore.com/american-metalcraft-wbcliner-plastic-liner-for-7-metal-baskets/124WBCLINER.html?utm_source=bing&utm_medium=cpc&utm_campaign=Shopping%20LP&utm_term=1100404860340&utm_content=Disposables).
Babygadget_ Buggy Bagg (http://www.babygadget.net/2006/08/buggy_bagg.php).
Balboa Baby Shopping Cart Cover (<https://goodbuygear.com/collections/shop-all/products/balboa-baby-shopping-cart-cover-2>).
Berry Basket Colander and Storage Container—3 Piece Set (<https://www.walmart.com/ip/Berry-Basket-Colander-and-Storage-Container-3-Piece-Set/438307309>).
Clean Cart Cover grocery cart liner protect you and your family _ Clean Cart Cover—A Safer Way to Shop (<https://cleancartcover.com/products/clean-cart-cover>).
LOOKAT Bread Basket Picnic Basket Wire Basket Wire Fruit Basket Wire Storage Basket,Metal Wire Basket with Removable Liner, Great for Bread, Snacks, Household Items, Kitchen Storage (https://www.amazon.com/dp/B0812722BX?tag=4778_v_others-20&linkCode=osi&th=1&psc=1).
McCall's M5409 Infant's Shopping Cart Liner Size_ One Uncut Sewing Pattern (<https://pattern-walk.com/product/mccalls-m5409-infants-shopping-cart-liner-size-one-uncut-sewing-pattern/>).
Nylon Basket Liner for R&B Wire Large Capacity Laundry Cart (<https://www.rehabmart.com/product/nylon-basket-liner-for-large-capacity-laundry-cart-28897.html>).
Page 16 Plastic bucket liner (<https://www.micronova-mfg.com/media/1953/micronova-catalog-2015.pdf>).
Paint Scuttle Liners (<https://www.brooklyntrading.co.uk/products/wooster-paint-scuttle-5-x-liners-8l>).
Shopping _ Etsy (<https://www.etsy.com/il-en/listing/569981687/on-sales-shopping-trolley-cover-trolley>).
Stonebriar Farmhouse Metal Chicken Wire Picnic Basket with Hinged Lids, Handles, and Heart Detail, 10.5"x6.5", Cream (https://www.amazon.com/dp/B01MT9TN2Z?tag=1_dk_v_others_tn3_tg1-20&linkCode=osi&th=1&psc=1).

* cited by examiner

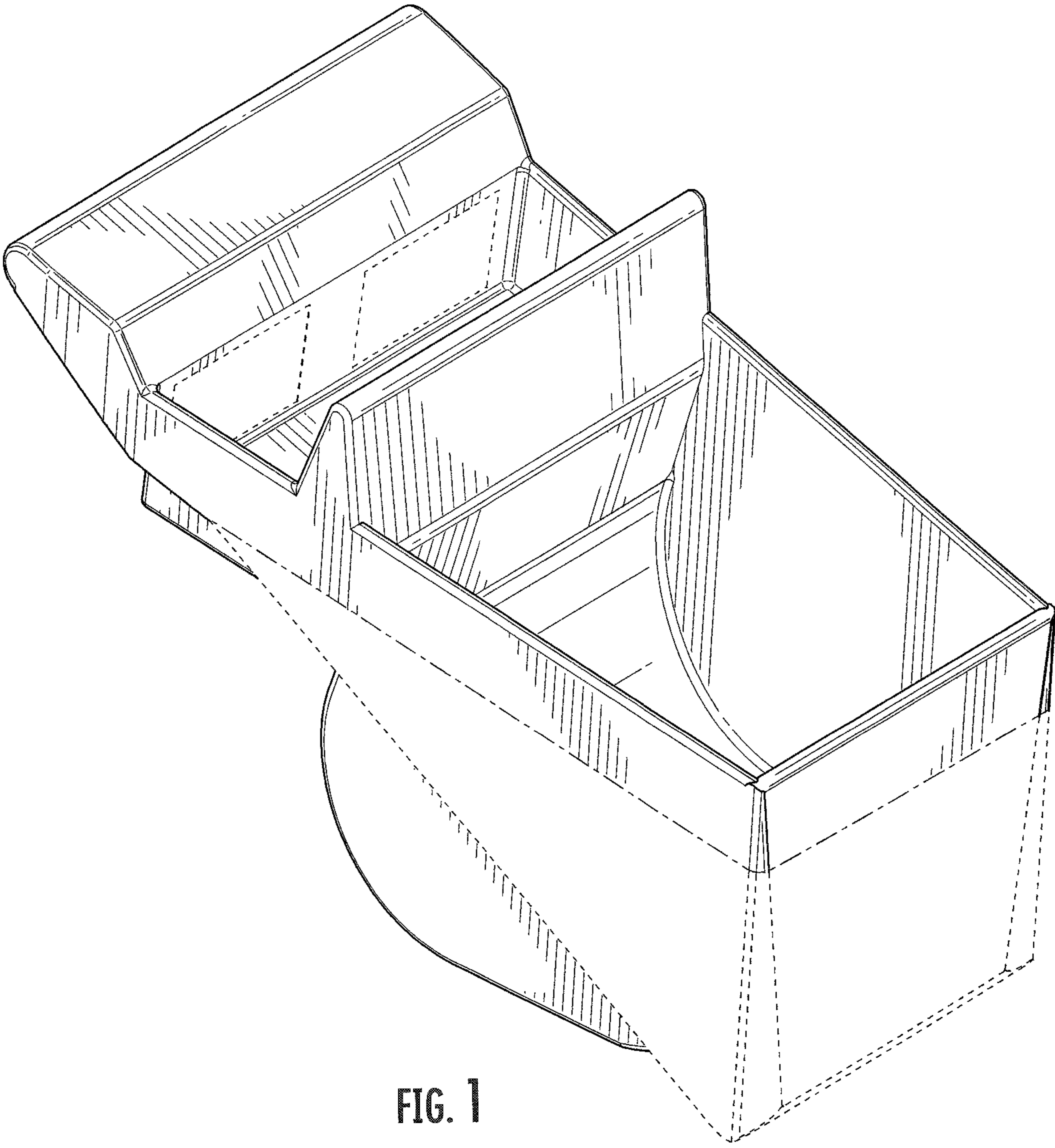


FIG. 1

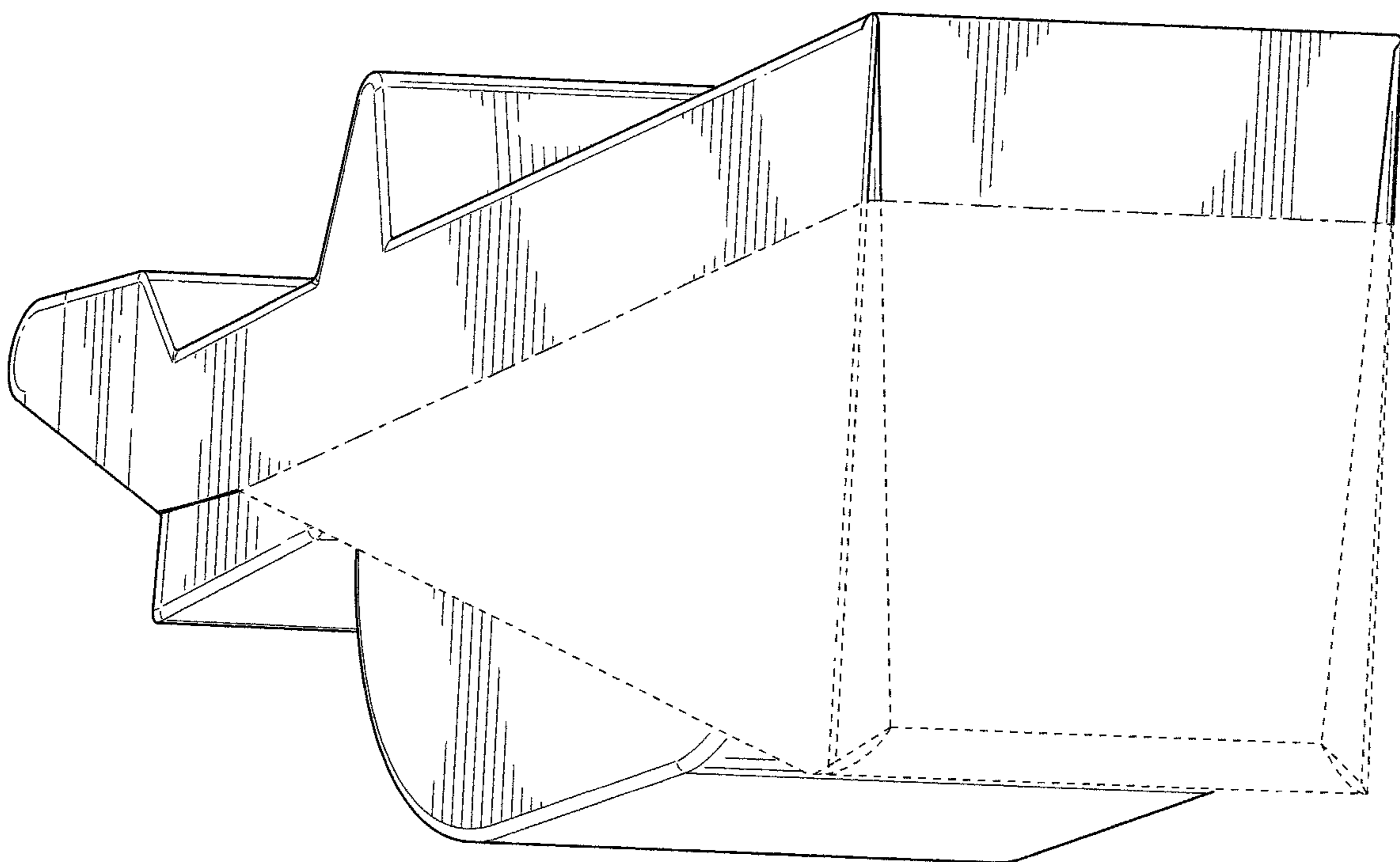


FIG. 2

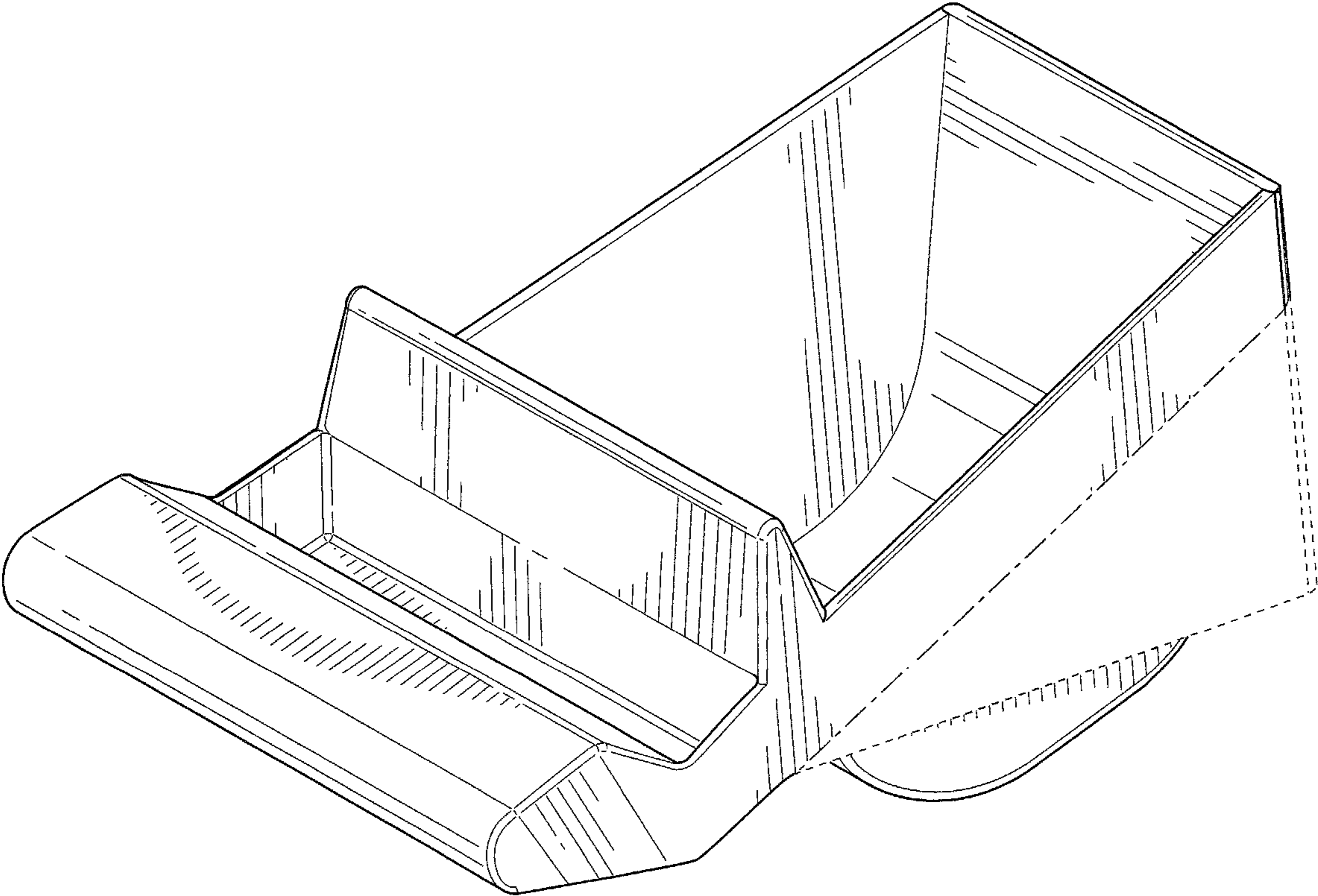


FIG. 3

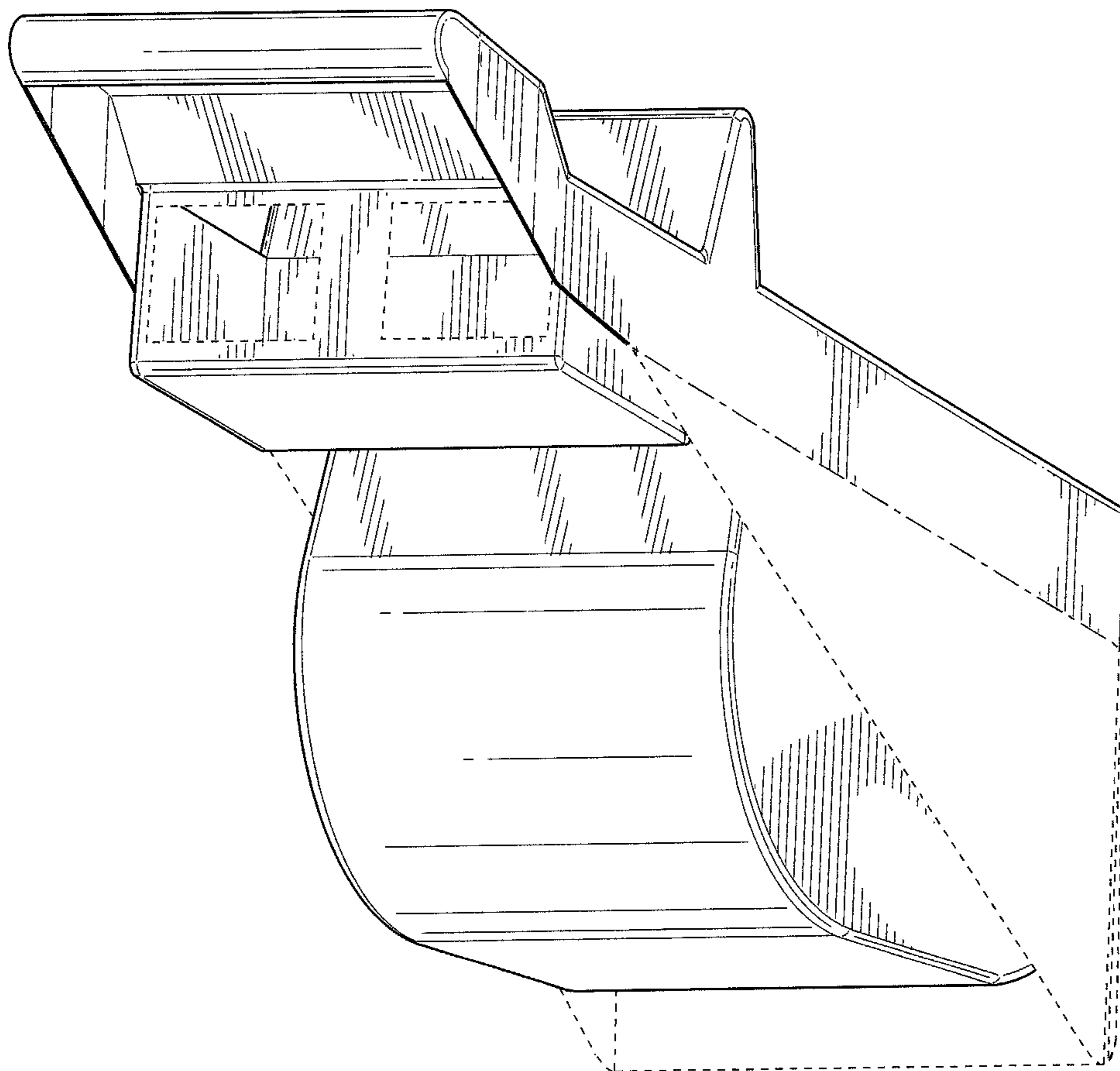


FIG. 4

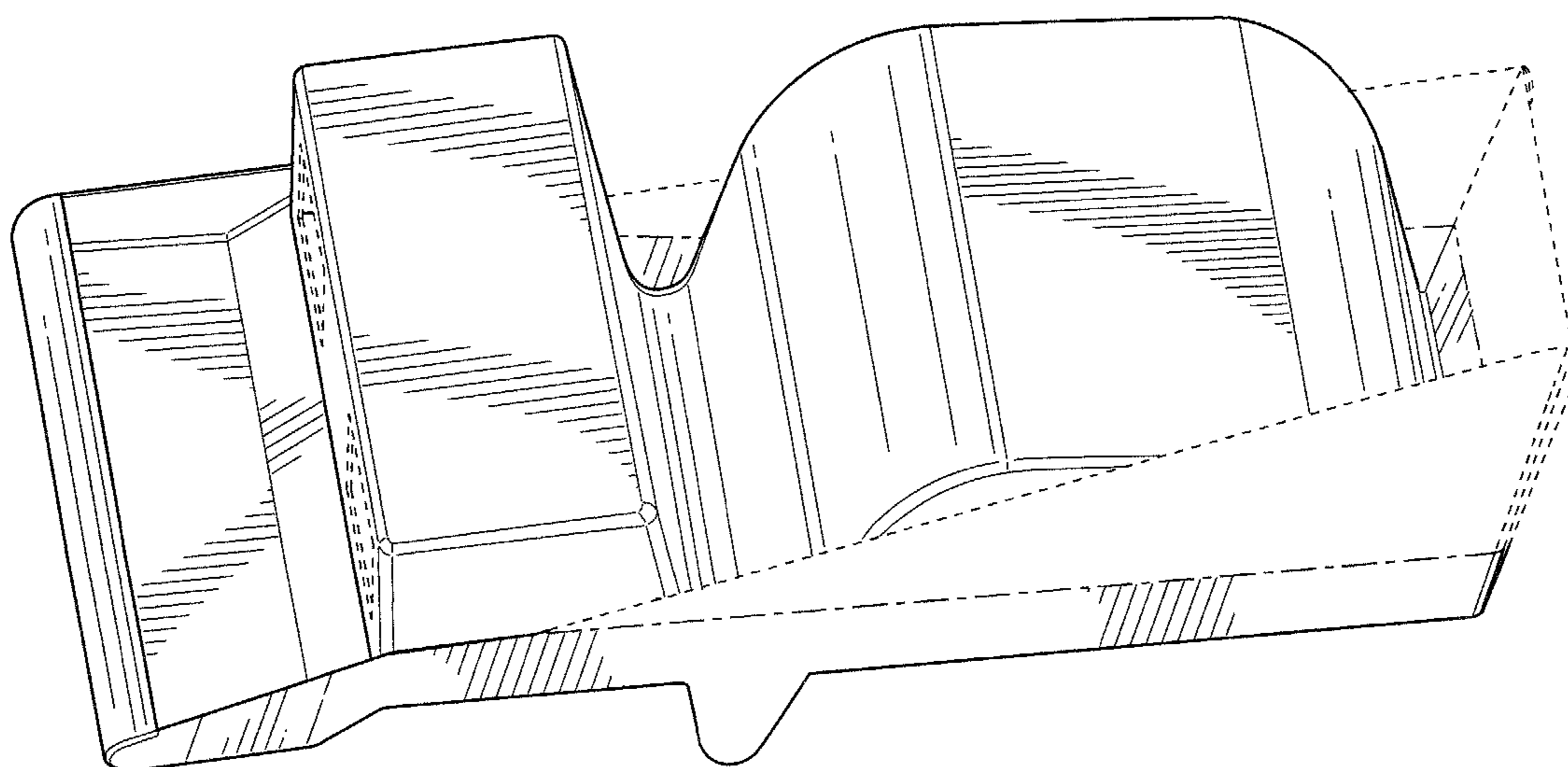


FIG. 5

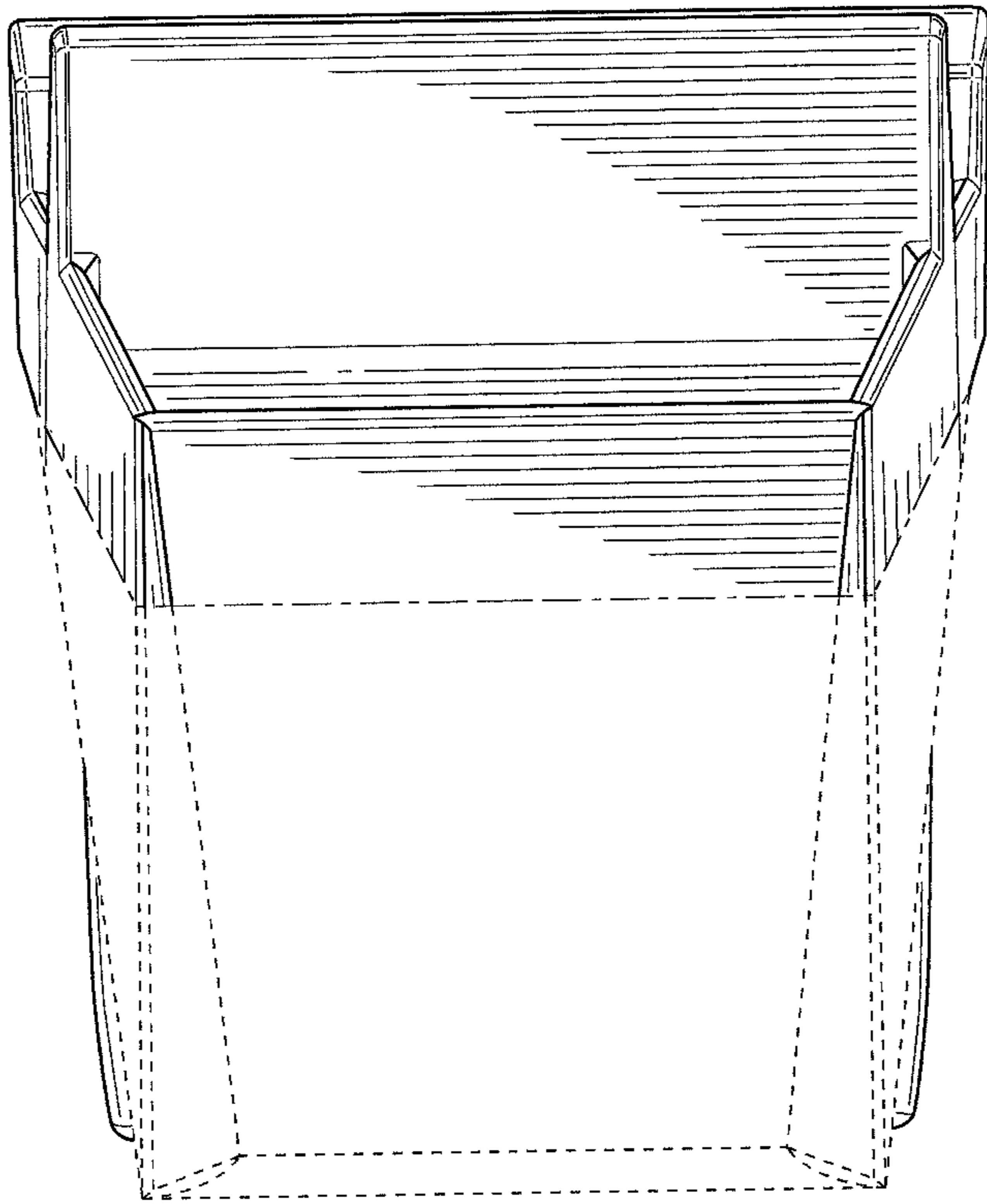


FIG. 6

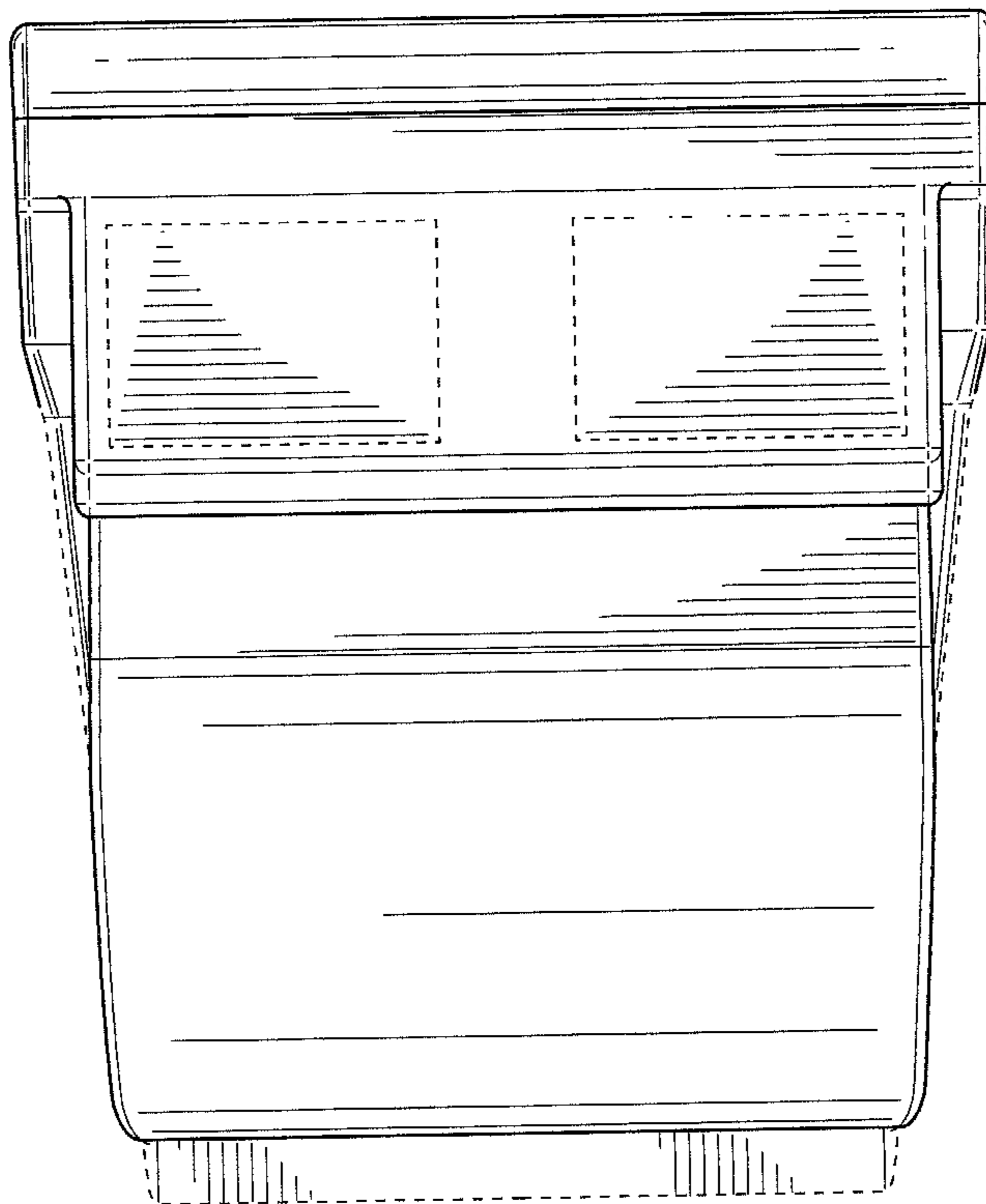


FIG. 7

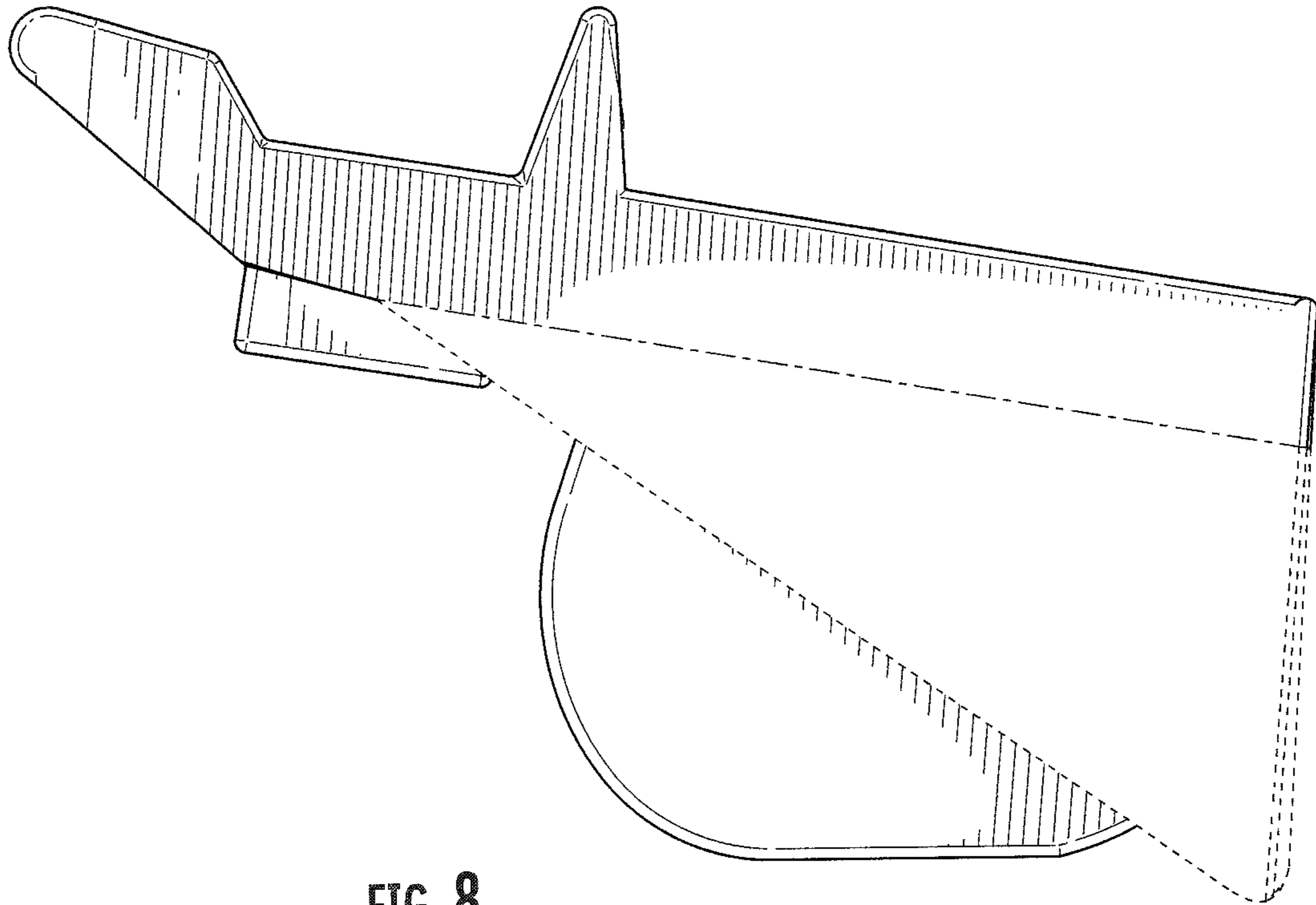


FIG. 8

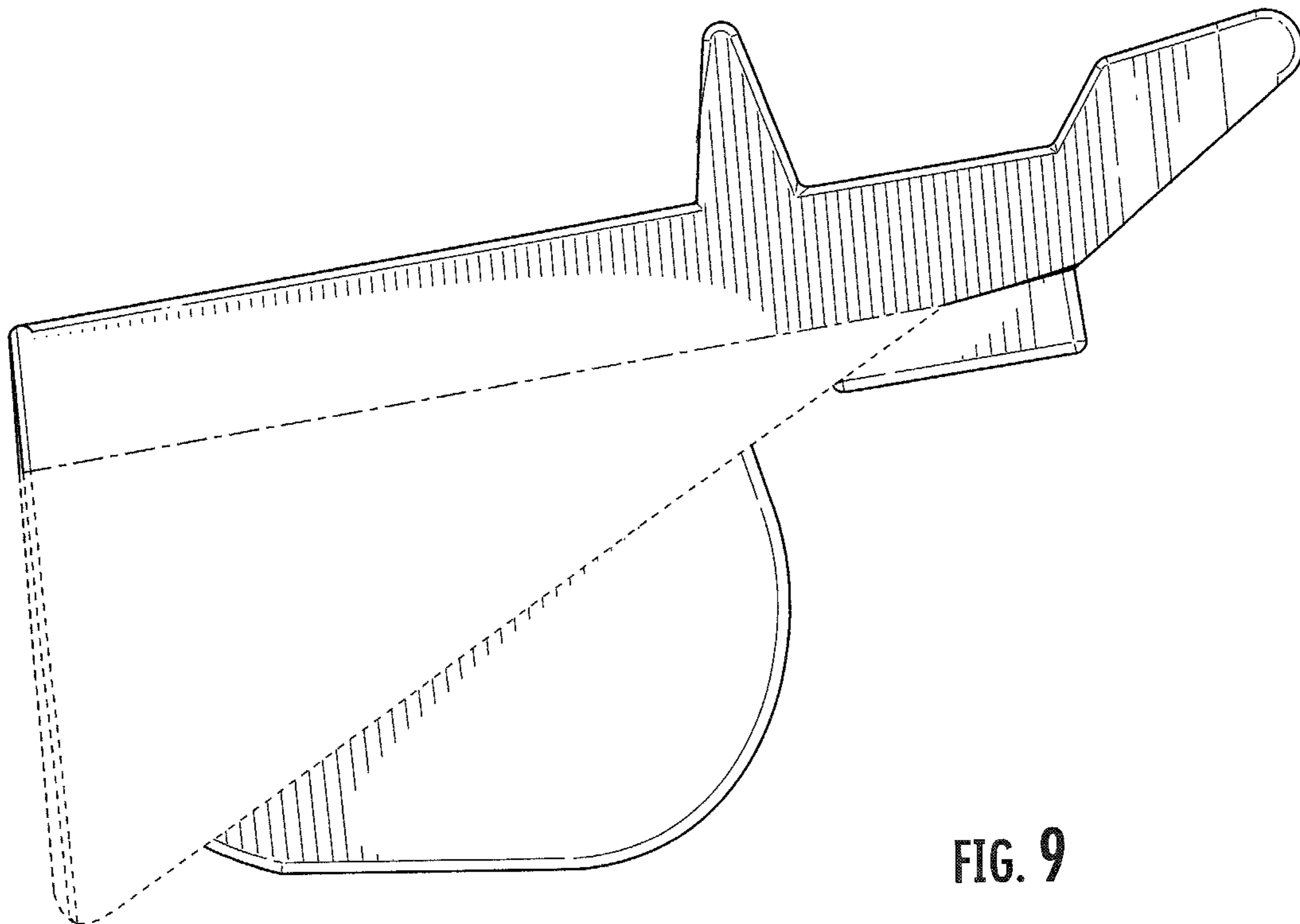


FIG. 9

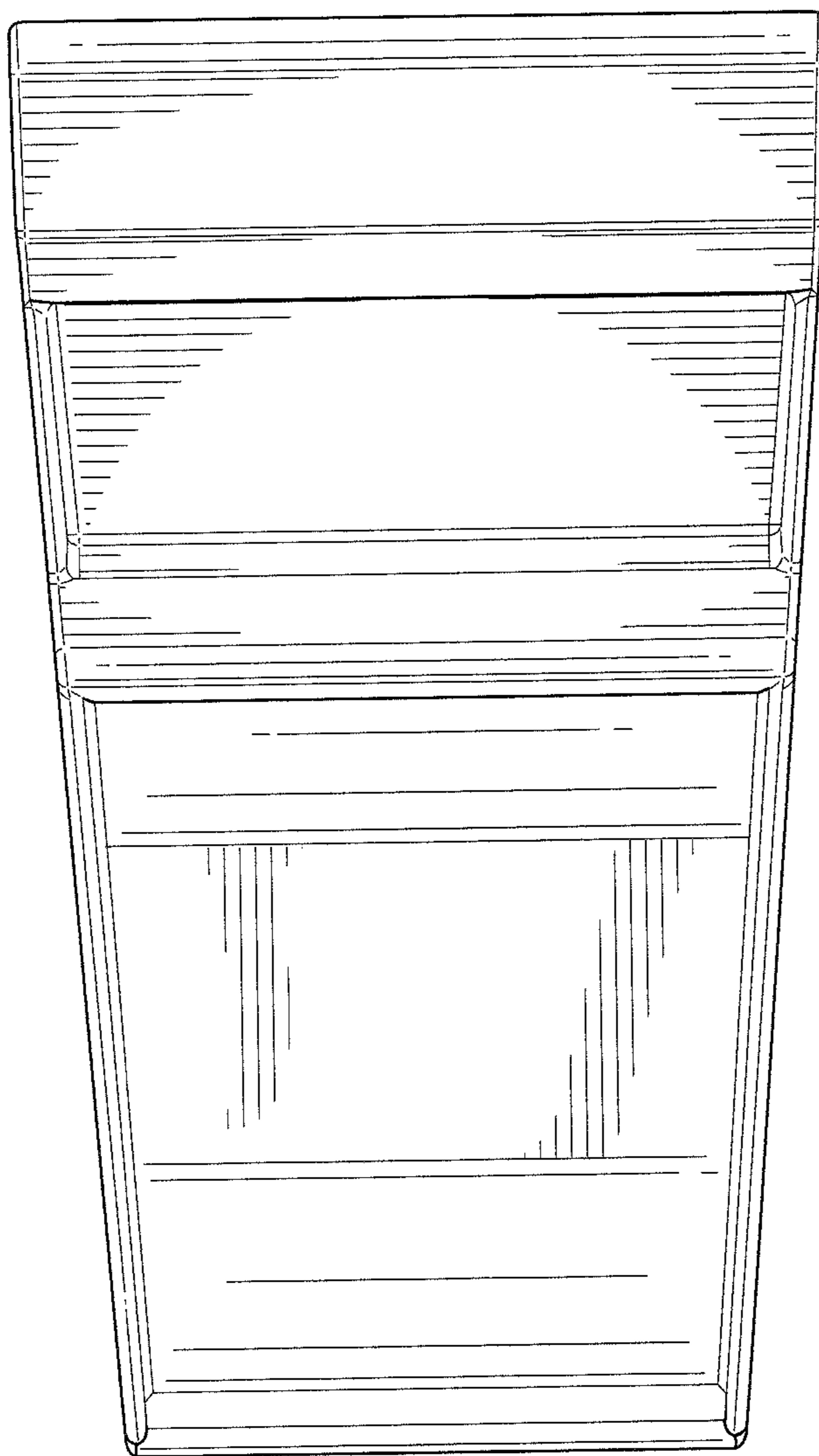


FIG. 10

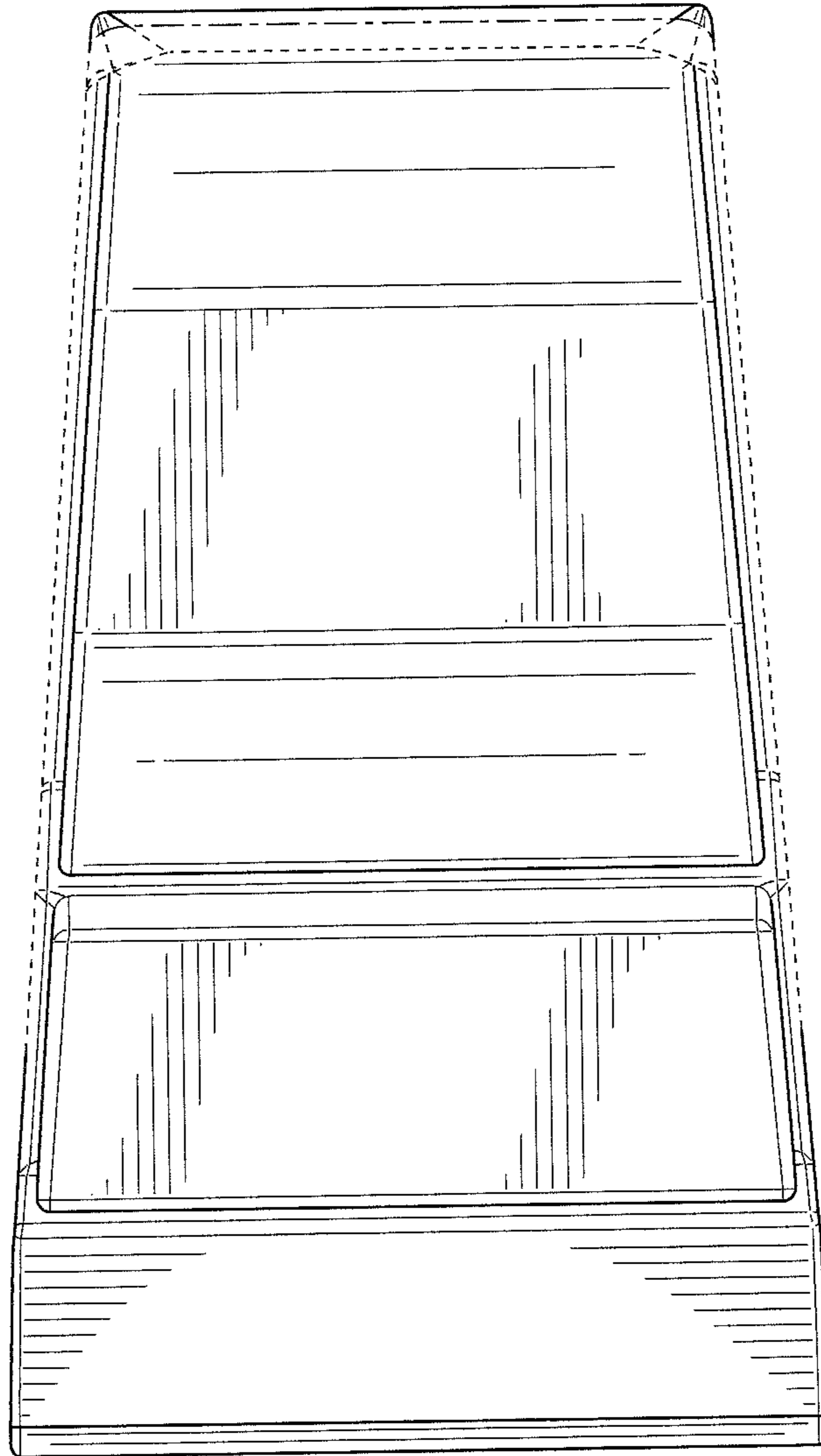


FIG. 11

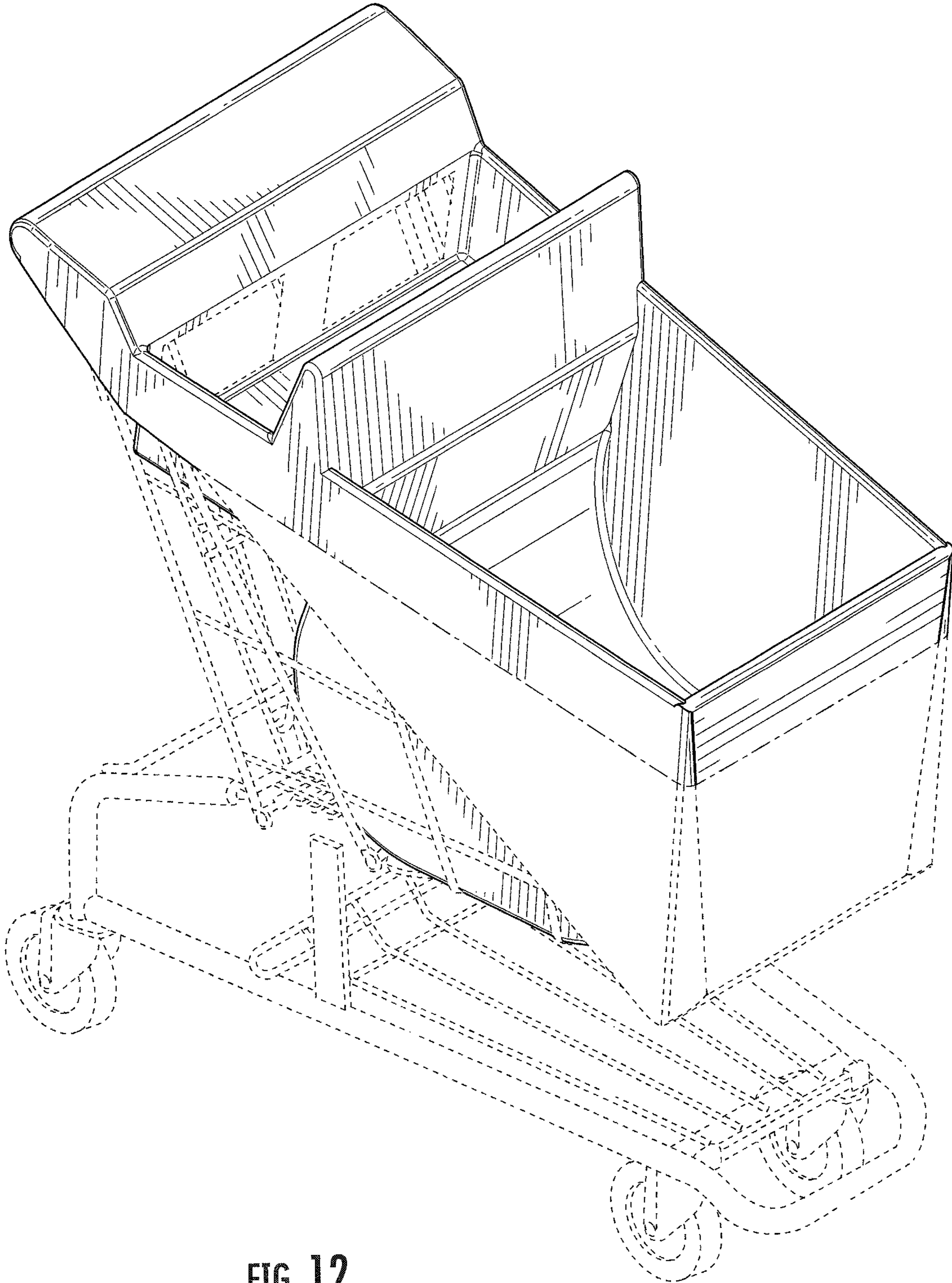


FIG. 12