

US00D968739S

(12) **United States Design Patent**
Zhang

(10) **Patent No.:** **US D968,739 S**

(45) **Date of Patent:** **** Nov. 1, 2022**

(54) **BROOM**

(71) Applicant: **Lin Zhang**, Jiangsu (CN)

(72) Inventor: **Lin Zhang**, Jiangsu (CN)

(**) Term: **15 Years**

(21) Appl. No.: **29/774,592**

(22) Filed: **Mar. 17, 2021**

(51) **LOC (13) Cl.** **07-05**

(52) **U.S. Cl.**
USPC **D32/51**

(58) **Field of Classification Search**
USPC D32/15-16, 31-32, 45, 50-52; D4/102,
D4/135

CPC A47L 11/16; A47L 11/10; A47L 11/4038;
A47L 11/4072

See application file for complete search history.

(56) **References Cited**

U.S. PATENT DOCUMENTS

D283,176 S *	4/1986	Lapin	D4/135
5,010,616 A *	4/1991	Berti	A46B 5/00 15/176.3
D317,068 S *	5/1991	Bosworth	D4/135
5,414,889 A *	5/1995	Sartori	B25G 3/38 15/171
D363,821 S *	11/1995	Burgess	D4/132
D383,578 S *	9/1997	Ho	D32/22
D406,420 S *	3/1999	Sin	D32/22
D417,325 S *	11/1999	Tintelnot	D4/135
D420,774 S *	2/2000	Schupp	D32/22
D482,530 S *	11/2003	Evans	D4/102
D521,201 S *	5/2006	Iacchetti	D32/51
D548,911 S *	8/2007	Main	D32/38
D566,357 S *	4/2008	Santiago	D32/32

D635,774 S *	4/2011	Butts	D4/135
8,015,662 B2 *	9/2011	Rosenzweig	A46B 15/0055 15/373
8,161,592 B2 *	4/2012	Weis	A46B 5/0095 15/171
D713,110 S *	9/2014	Erlich	D32/33
D832,541 S *	10/2018	Schlegel	D32/40

OTHER PUBLICATIONS

<http://www.broommanufacturers.com/2018/08/21/the-broom-is-equipped-with-a-towel-and-there-is-no-dust-when-sweeping-the-floor/>, website 2018.*

* cited by examiner

Primary Examiner — John R Yeh

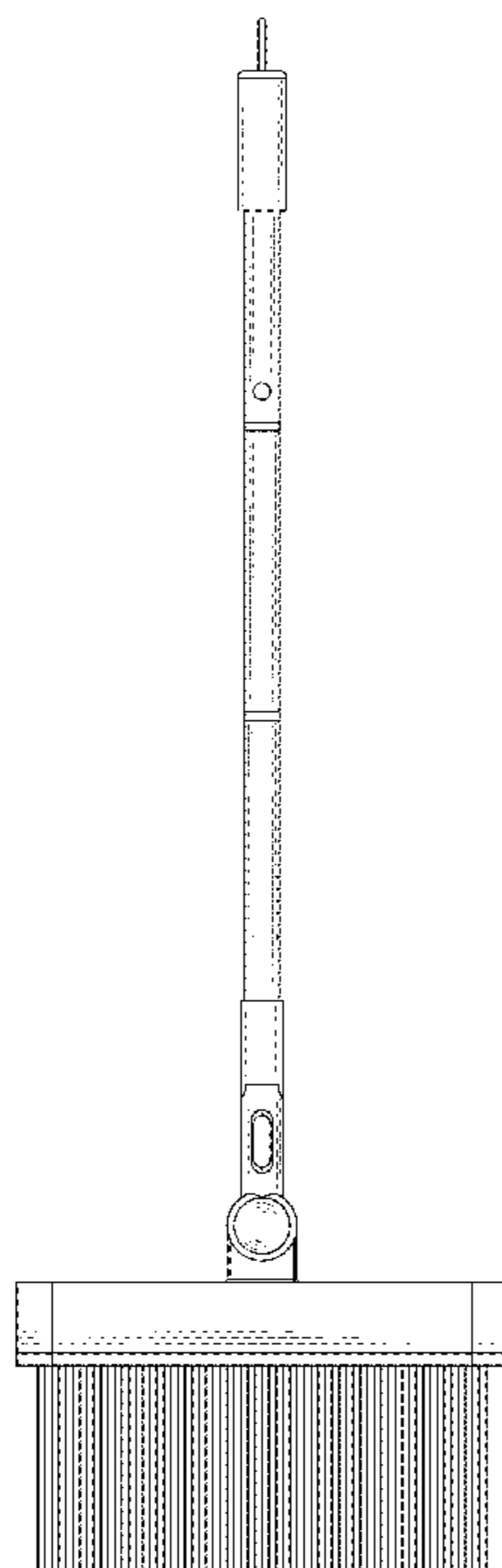
(57) **CLAIM**

The ornamental design for a broom, as shown and described.

DESCRIPTION

FIG. 1 is a front view of my new design for a broom;
FIG. 2 is a back view thereof;
FIG. 3 is a right side view thereof;
FIG. 4 is a left side view thereof;
FIG. 5 is a top view thereof;
FIG. 6 is a bottom view thereof;
FIG. 7 is a front perspective view thereof; and,
FIG. 8 is an enlarged perspective view taken from the indication in FIG. 7.
The broken lines depict an enlargement indication and forms no part of the claimed design.

1 Claim, 8 Drawing Sheets



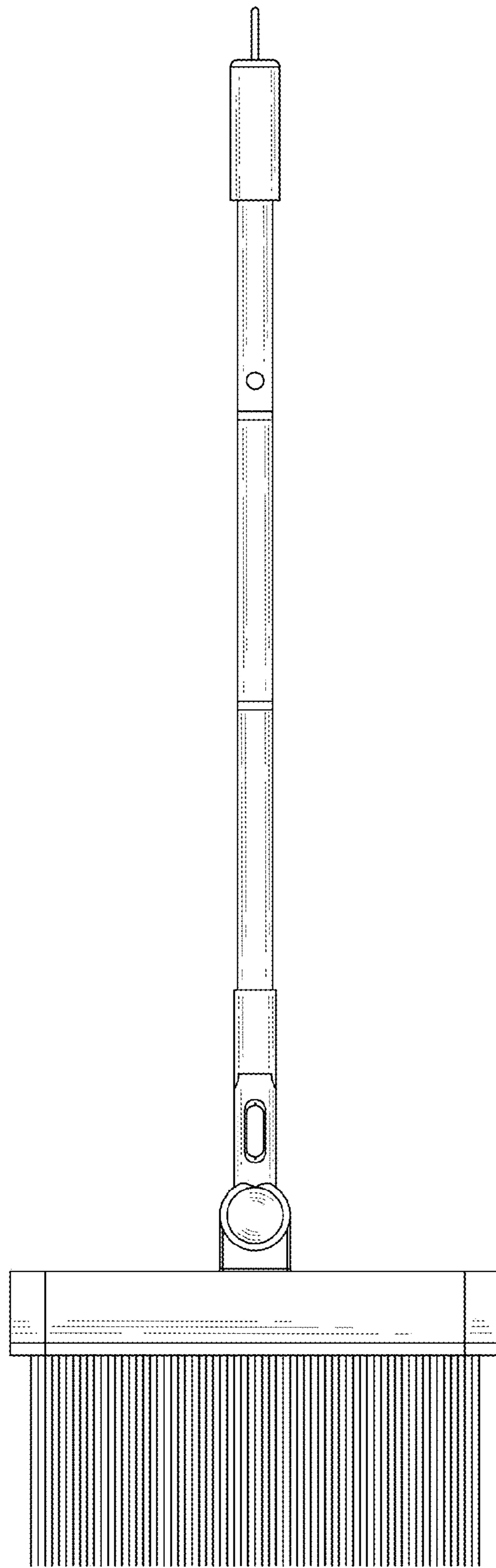


FIG 1

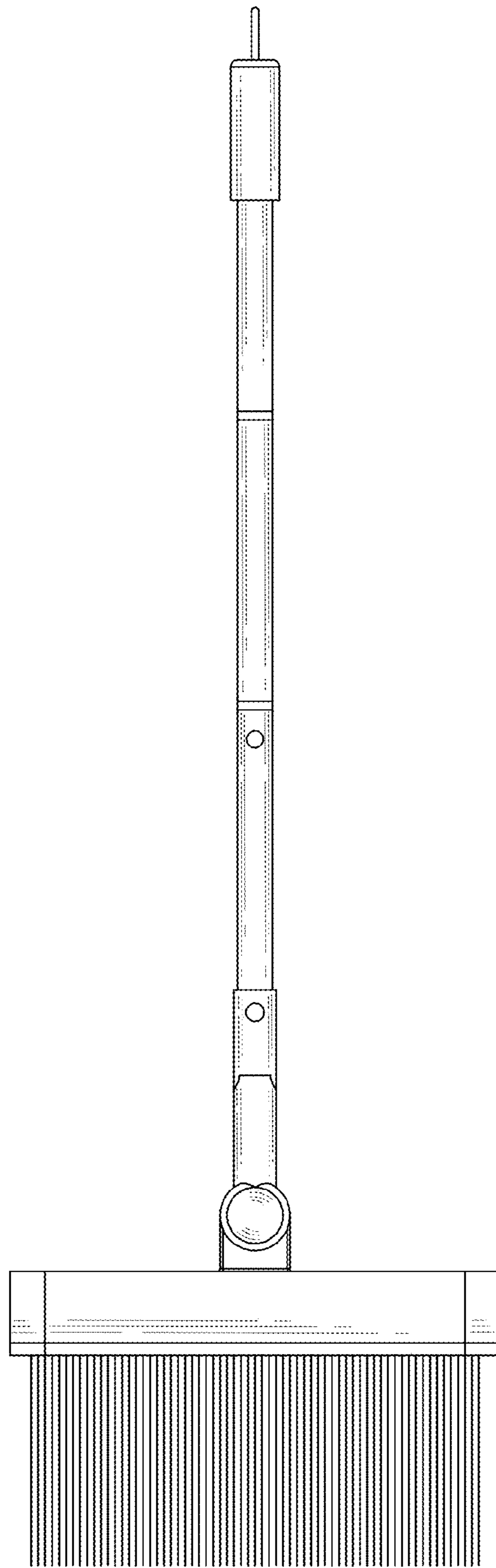


FIG 2

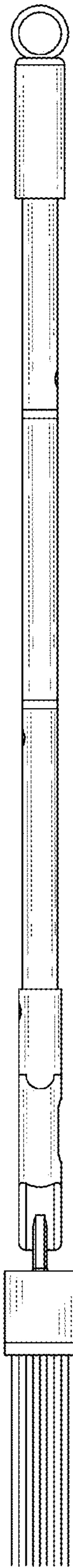


FIG 3

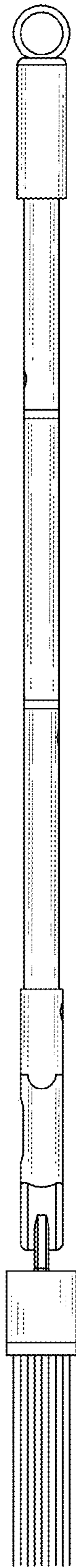


FIG 4

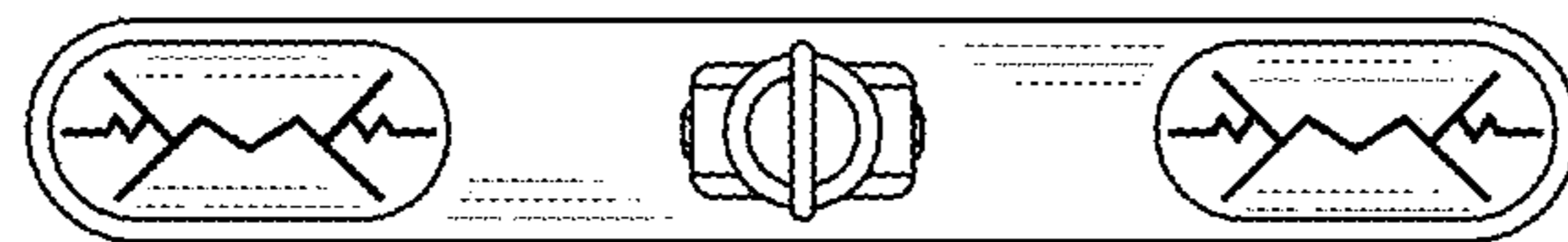


FIG 5

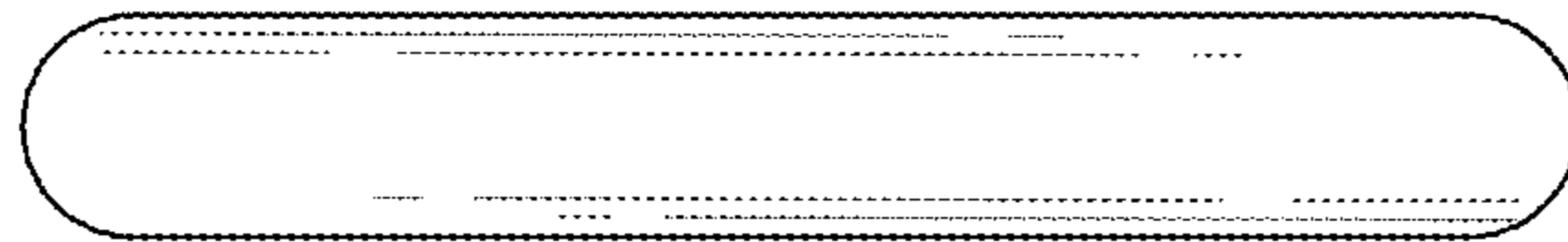


FIG 6

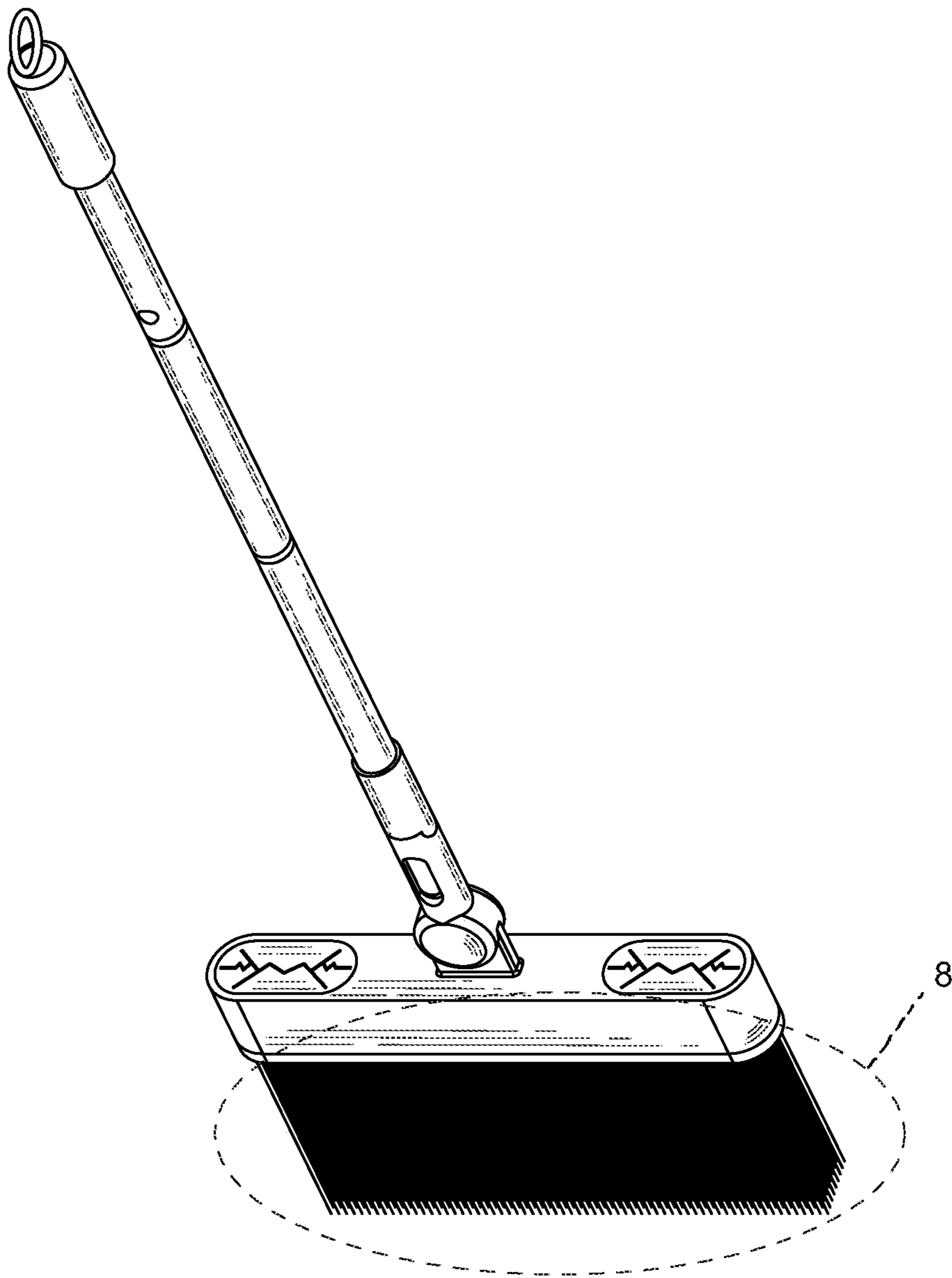


FIG 7

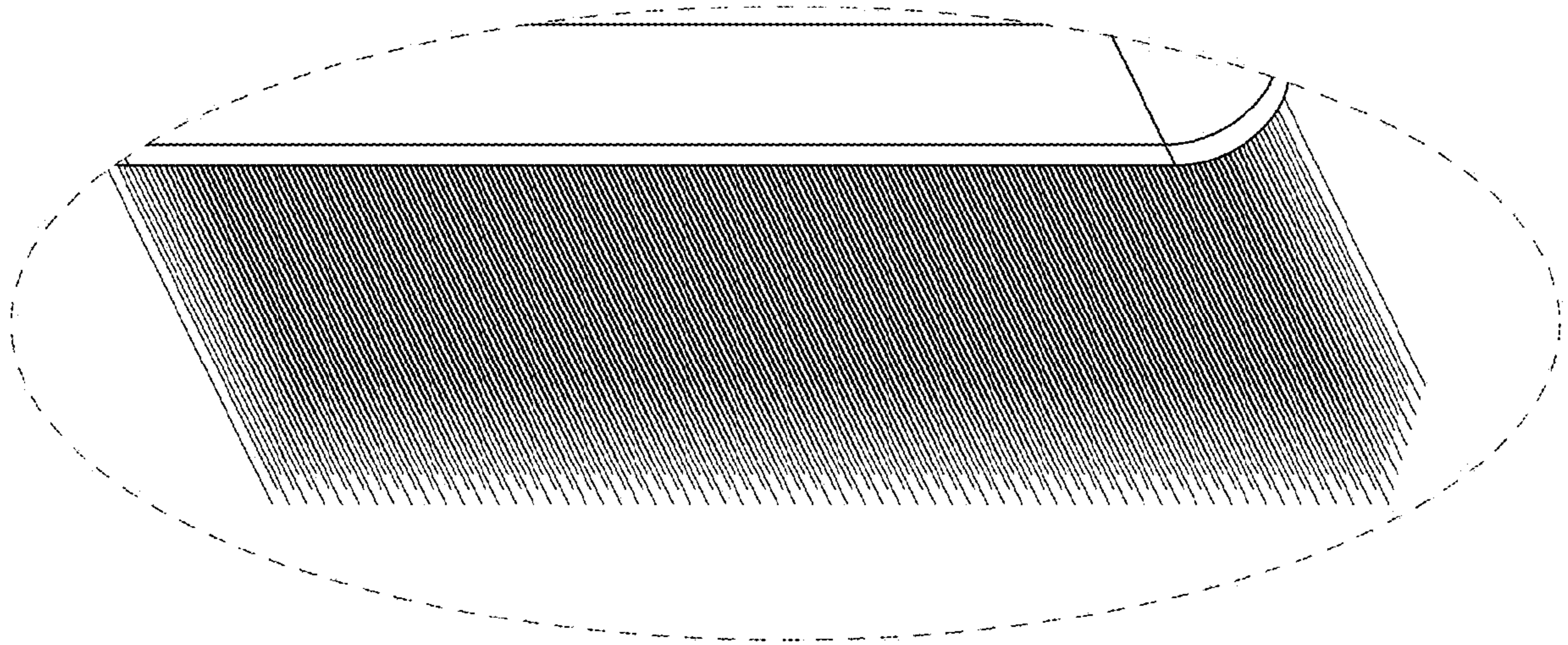


FIG 8