



US00D968738S

(12) **United States Design Patent** (10) **Patent No.:** **US D968,738 S**  
**Shao** (45) **Date of Patent:** **\*\* Nov. 1, 2022**

(54) **MOP**  
(71) Applicant: **Ningbo Mopp Commodity Co., Ltd,**  
Ningbo (CN)  
(72) Inventor: **Meihong Shao,** Ningbo (CN)  
(\*\*) Term: **15 Years**  
(21) Appl. No.: **29/825,403**

D549,912 S 8/2007 Van Landingham  
D582,619 S 12/2008 Kong  
D586,966 S 2/2009 Nobile  
(Continued)

FOREIGN PATENT DOCUMENTS

CN 306741794 \* 8/2021  
CN 307104180 \* 2/2022

OTHER PUBLICATIONS

Squeegee mop, available in <https://www.alamy.com>, date available Oct. 21, 2016 [online], [site visited Aug. 27, 2022], Available from the internet URL: <https://www.alamy.com/stock-photo-close-up-of-squeegee-mop-on-white-background-142706418.html> (Year: 2016).\*  
(Continued)

(22) Filed: **Feb. 1, 2022**  
(51) **LOC (13) Cl.** ..... **15-05**  
(52) **U.S. Cl.**  
USPC ..... **D32/50**  
(58) **Field of Classification Search**  
USPC ..... D32/15, 22, 25, 31-33, 38-52; D4/118,  
D4/121, 135, 137, 199  
CPC ..... A46B 15/0081; A47L 9/02; A47L 9/122;  
A47L 11/4044; A47L 13/02; A47L 13/08;  
A47L 13/10; A47L 13/11; A47L 13/16;  
A47L 13/20; A47L 13/24; A47L 13/253;  
A47L 13/254; B25G 3/38; Y10S 15/09;  
Y10T 403/32861  
See application file for complete search history.

*Primary Examiner* — Jennifer Rivard  
*Assistant Examiner* — Jennylou M Binas  
(74) *Attorney, Agent, or Firm* — Runit Ranjit Kanakia

(57) **CLAIM**

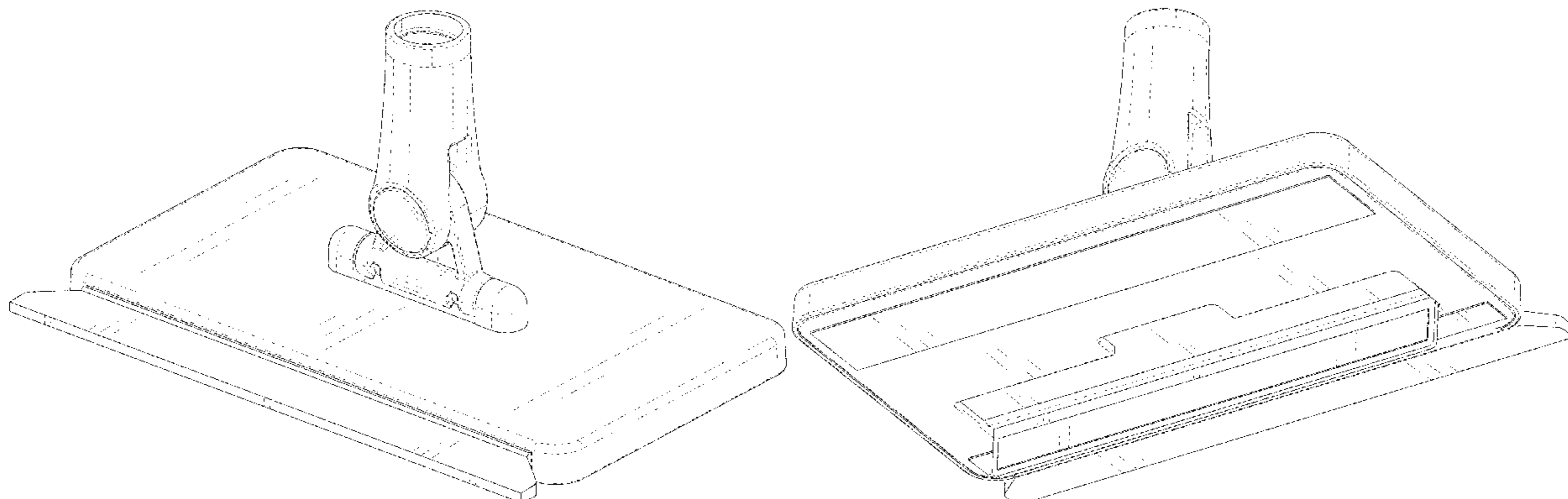
The ornamental design for a mop, as shown and described.

**DESCRIPTION**

FIG. 1 is a perspective view of a mop showing my new design;  
FIG. 2 is another perspective view thereof;  
FIG. 3 is a front elevational view thereof;  
FIG. 4 is a rear elevational view thereof;  
FIG. 5 is a left side view thereof;  
FIG. 6 is a right side view thereof;  
FIG. 7 is a top plan view thereof;  
FIG. 8 is a bottom plan view thereof; and,  
FIG. 9 is a rear perspective view, shown in an open state.  
The broken lines in the figures are for the purposes of illustrating portions of the mop, which form no part of the claimed design.

**1 Claim, 8 Drawing Sheets**

(56) **References Cited**  
U.S. PATENT DOCUMENTS  
3,050,762 A \* 8/1962 Ballinger ..... B25G 3/38  
15/147.1  
3,778,860 A \* 12/1973 Thielen ..... B25G 3/38  
464/119  
4,850,075 A \* 7/1989 Kresse ..... B25G 1/06  
15/228  
D366,740 S \* 1/1996 Clausen ..... D32/50  
6,061,864 A \* 5/2000 Ensson ..... A47L 13/254  
15/228  
6,237,258 B1 \* 5/2001 Biro ..... E01H 1/12  
37/285  
D465,890 S \* 11/2002 Rivera ..... D32/50  
D533,356 S \* 12/2006 Van Landingham, Jr. .... D8/382



(56)

References Cited

U.S. PATENT DOCUMENTS

7,549,195 B2 \* 6/2009 Bensussan ..... B25G 1/04  
16/427  
D599,969 S 9/2009 Weis  
7,827,649 B2 \* 11/2010 Horian ..... B25G 3/38  
403/150  
D638,186 S 5/2011 Yoon  
8,096,723 B2 \* 1/2012 Bae ..... B25G 1/06  
401/139  
D653,826 S 2/2012 Lee  
D655,876 S 3/2012 Lee  
D658,344 S 4/2012 Babic  
D672,930 S \* 12/2012 Van Lanningham, Jr. .... D32/50  
D723,233 S 2/2015 Gidwell  
D779,144 S 2/2017 Layevsky  
9,609,993 B2 \* 4/2017 Li ..... A47L 13/258  
D792,043 S \* 7/2017 Buckley ..... D32/50  
10,285,558 B2 \* 5/2019 O'Shea ..... A47L 13/256  
D851,346 S \* 6/2019 Kamody ..... D32/46  
D851,347 S \* 6/2019 Sunila ..... D32/50  
10,562,173 B2 \* 2/2020 Stewart ..... B25G 3/02  
D923,895 S \* 6/2021 Tyroler ..... D32/50  
D951,570 S \* 5/2022 Brugora ..... D32/50  
D957,143 S \* 7/2022 Chen ..... D4/135  
2005/0115008 A1 \* 6/2005 Cassar ..... B25G 3/38  
15/144.1  
2009/0094791 A1 \* 4/2009 Blom ..... B25G 1/04  
16/427

2015/0351603 A1 \* 12/2015 Katsnelson ..... A47L 13/20  
15/144.1  
2017/0086636 A1 \* 3/2017 Apcar ..... B25G 1/102  
2022/0142447 A1 \* 5/2022 Basheer ..... A47L 13/254

OTHER PUBLICATIONS

Fayina Premium Durable Squeegee and Microfiber Pad, available in Amazon.ca, date first available 10/23/2020 [online], [site visited Aug. 27, 2022], Available from the internet URL: [https://www.amazon.ca/FAYINA-Microfiber-Telescopic-Stainless-Extendable/dp/B08L3XMFSL/ref=sr\\_1\\_56](https://www.amazon.ca/FAYINA-Microfiber-Telescopic-Stainless-Extendable/dp/B08L3XMFSL/ref=sr_1_56) (Year: 2020).\*

Rubbermaid Commercial Products, available in Amazon.com, date first available Sep. 14, 2004 [online], [site visited Aug. 27, 2022], Available from the internet URL: [https://www.amazon.com/Rubbermaid-Commercial-HYGEN-Quick-Connect-Frame/dp/B005KCOB4Y/ref=sr\\_1\\_4](https://www.amazon.com/Rubbermaid-Commercial-HYGEN-Quick-Connect-Frame/dp/B005KCOB4Y/ref=sr_1_4) (Year: 2004).\*

Yocada Dust Mop Microfiber Floor Mop, available in Amazon.com, date first available May 27, 2021 [online], [site visited Aug. 27, 2022], Available from the internet URL: [https://www.amazon.com/dp/B095YNTTYB/ref=sspa\\_dk\\_detail\\_3](https://www.amazon.com/dp/B095YNTTYB/ref=sspa_dk_detail_3) (Year: 2021).\*

Zindoo Window Cleaner Squeegee, available in Amazon.co.uk, date first available Jul. 23, 2021 [online], [site visited Aug. 27, 2022], Available from internet URL: [https://www.amazon.co.uk/Zindoo-Squeegee-Telescopic-Extendable-Cleaning/dp/B09B43G9FY/ref=pd\\_rhf\\_d\\_dp\\_s\\_ci\\_mcx\\_mr\\_hp\\_d\\_scc1\\_2\\_19/258-3002981-9385541](https://www.amazon.co.uk/Zindoo-Squeegee-Telescopic-Extendable-Cleaning/dp/B09B43G9FY/ref=pd_rhf_d_dp_s_ci_mcx_mr_hp_d_scc1_2_19/258-3002981-9385541) (Year: 2021).\*

\* cited by examiner

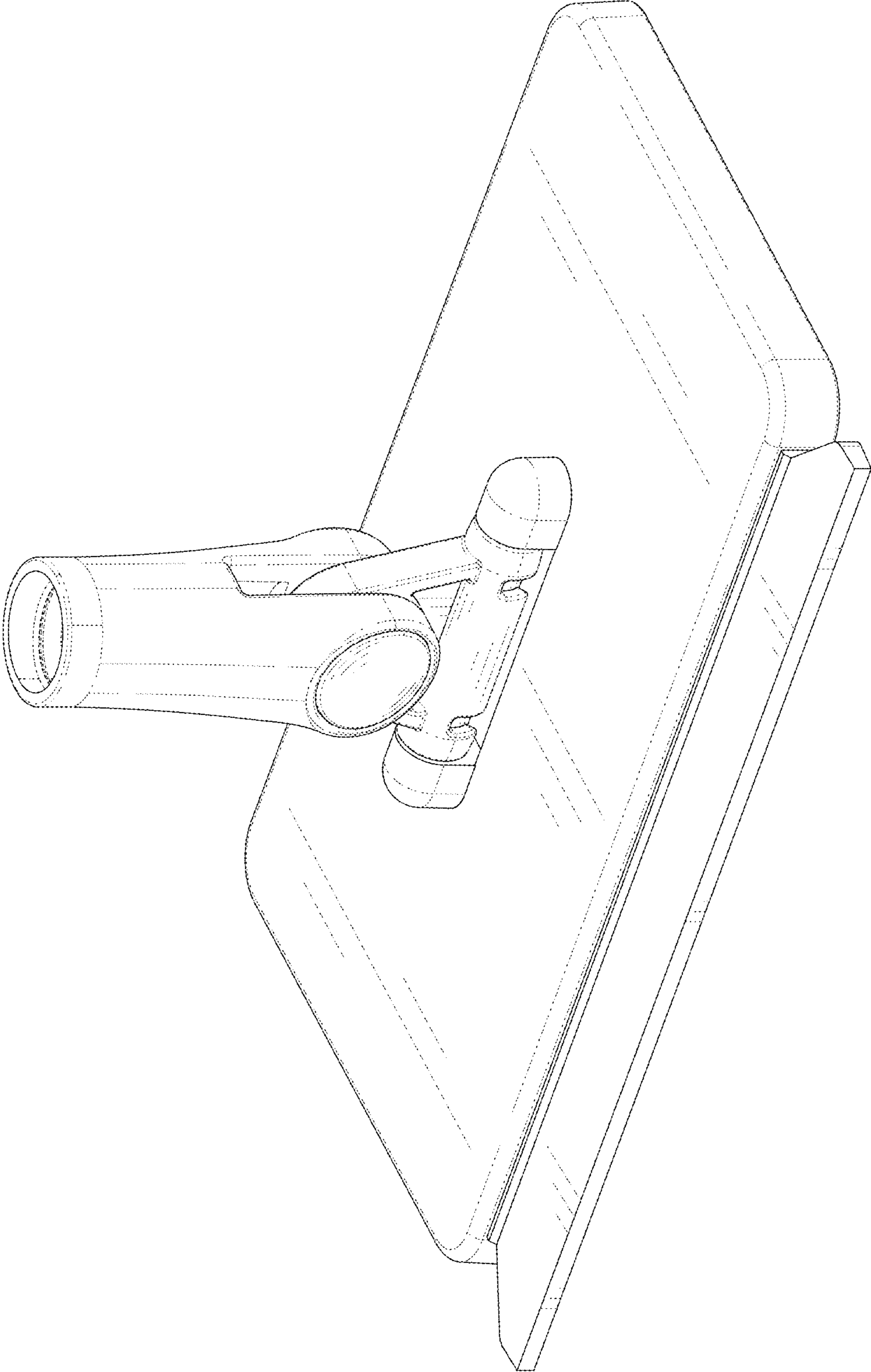


FIG. 1



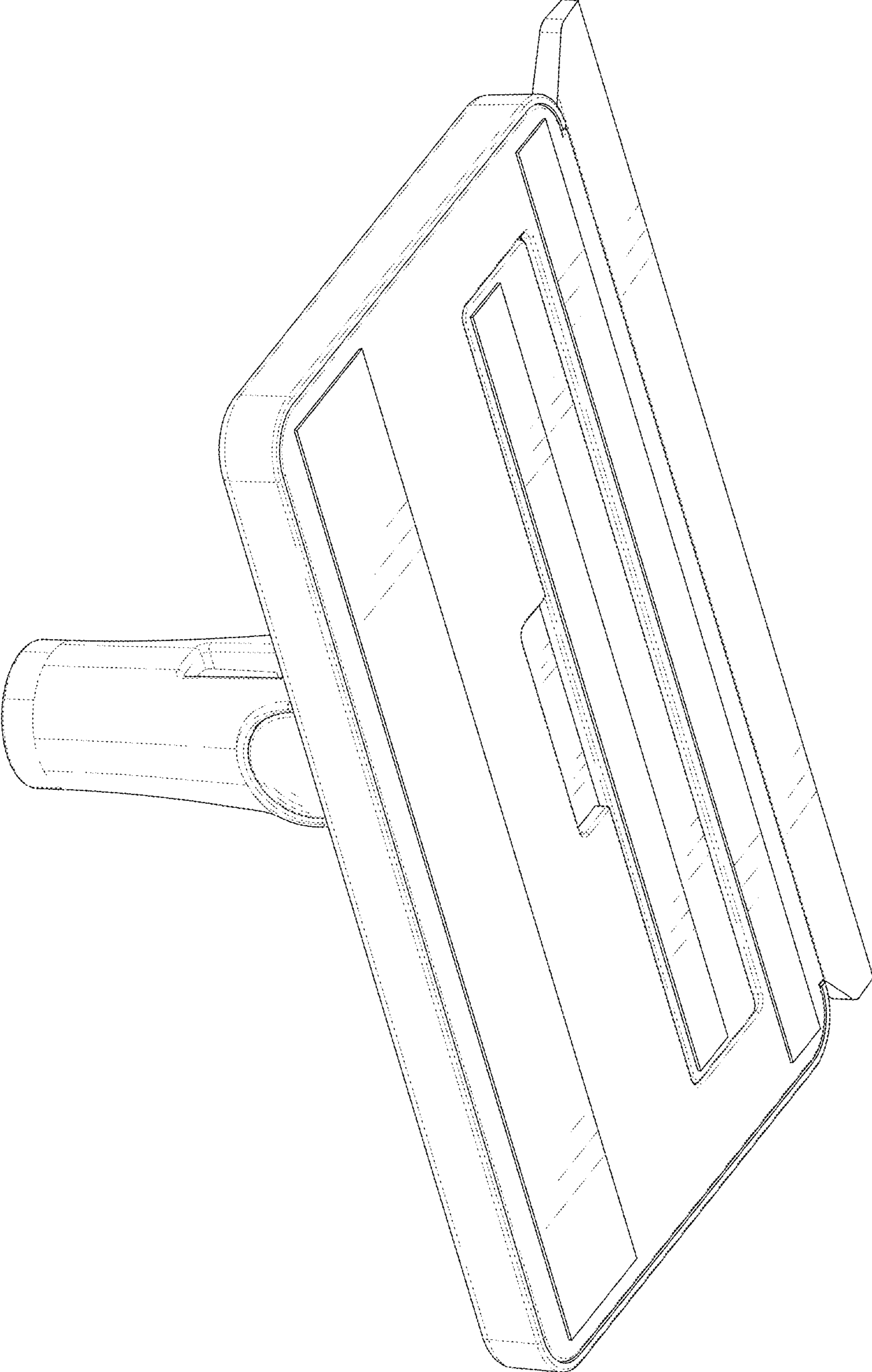


FIG. 2

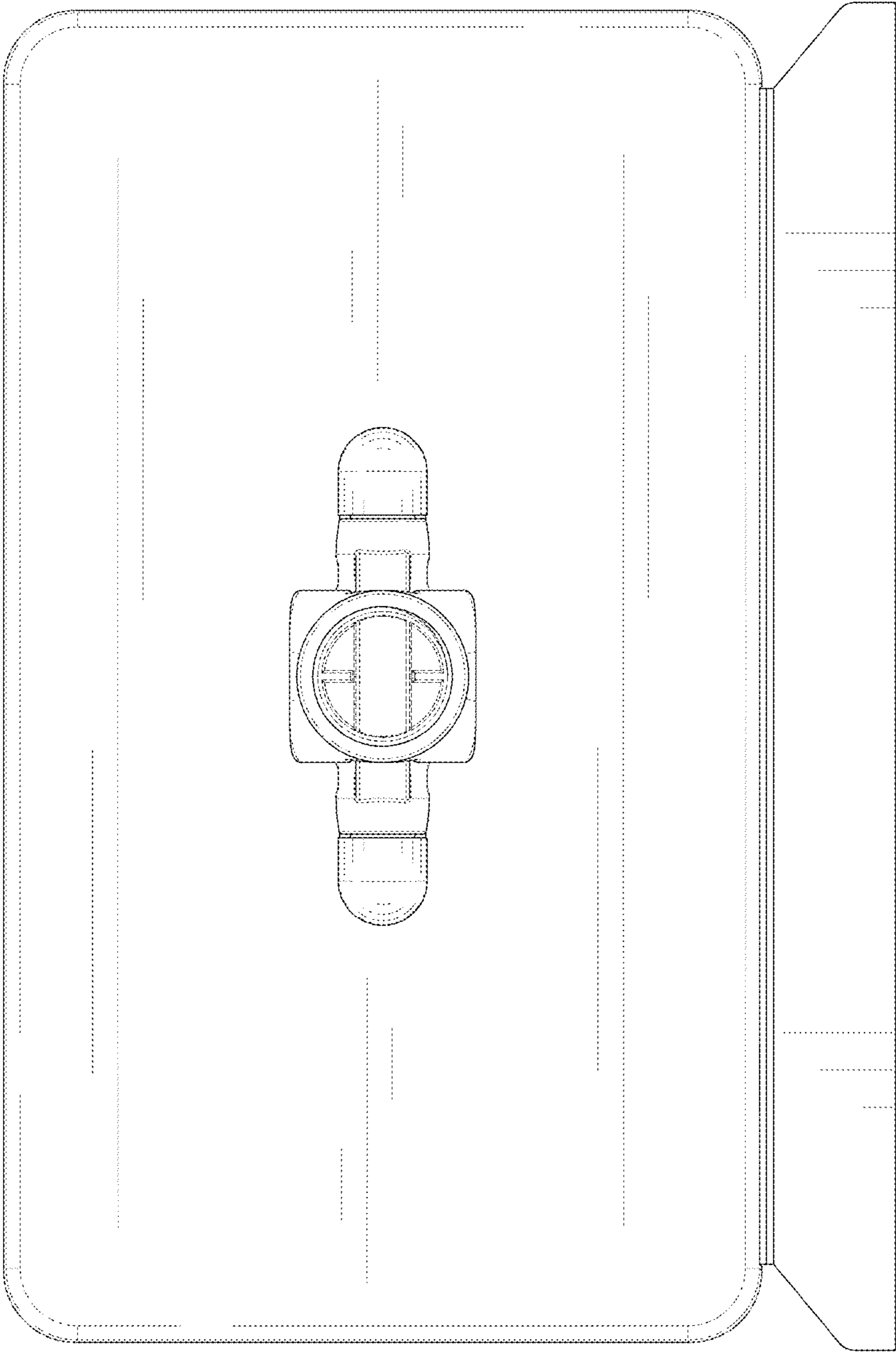
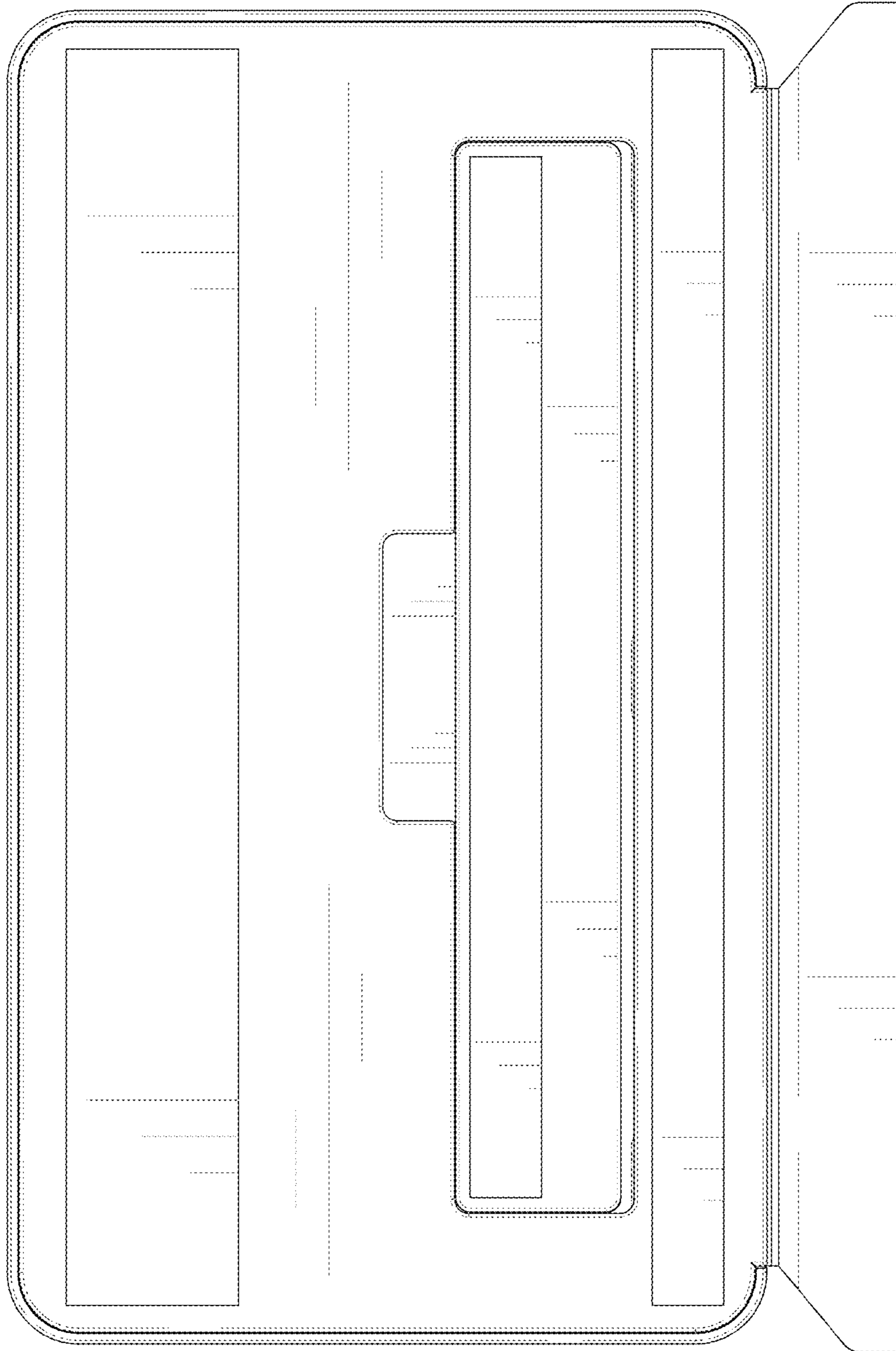
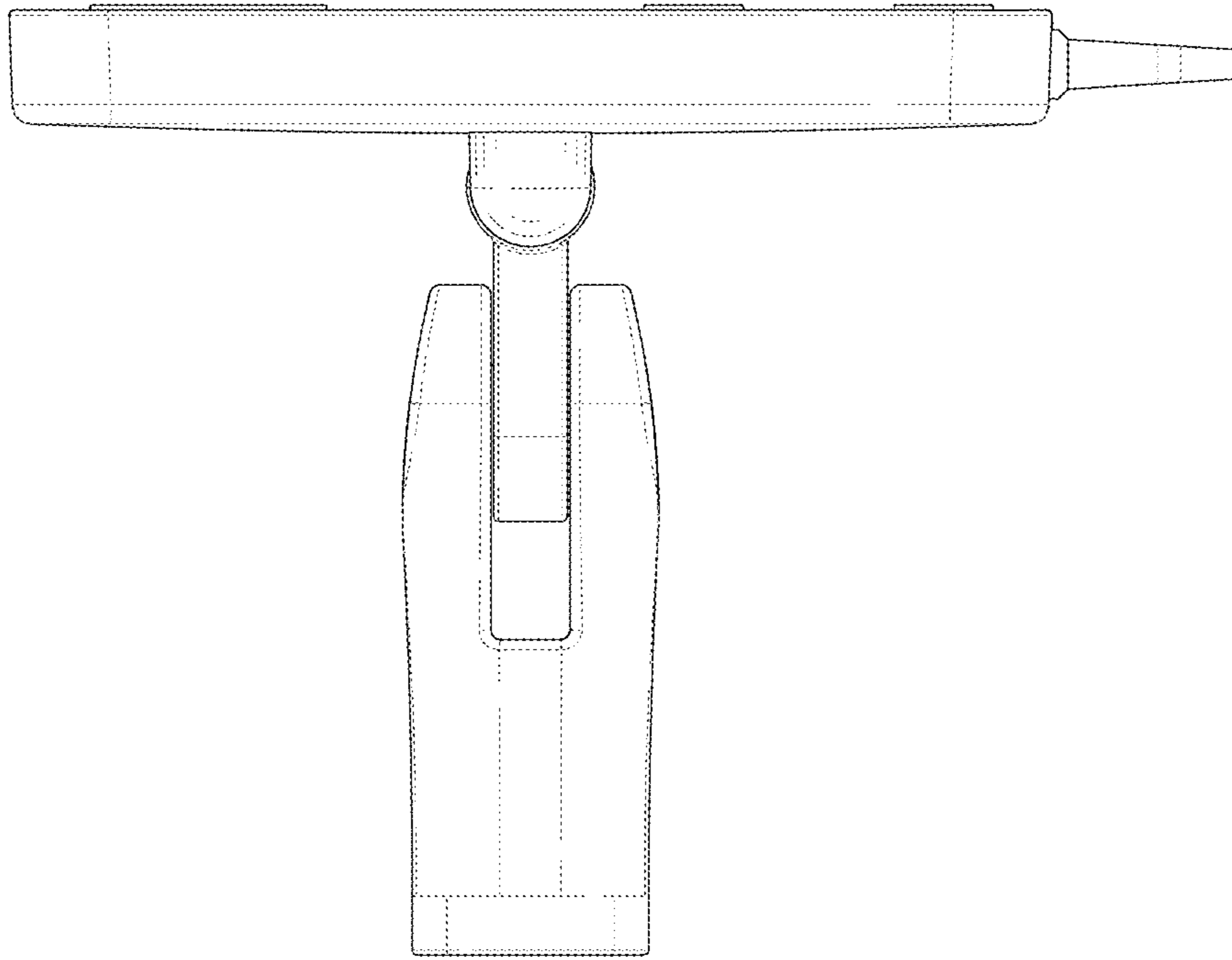


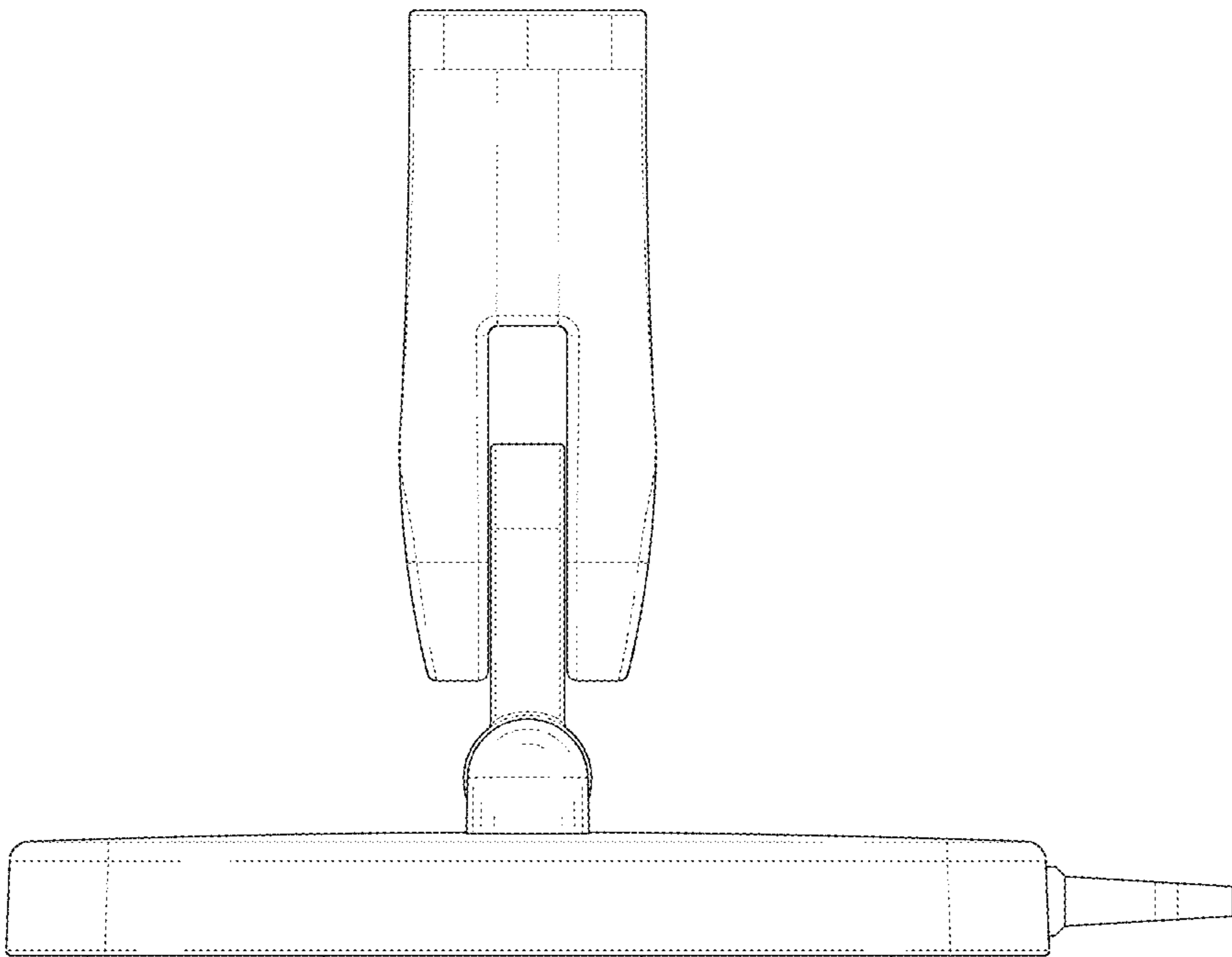
FIG. 3



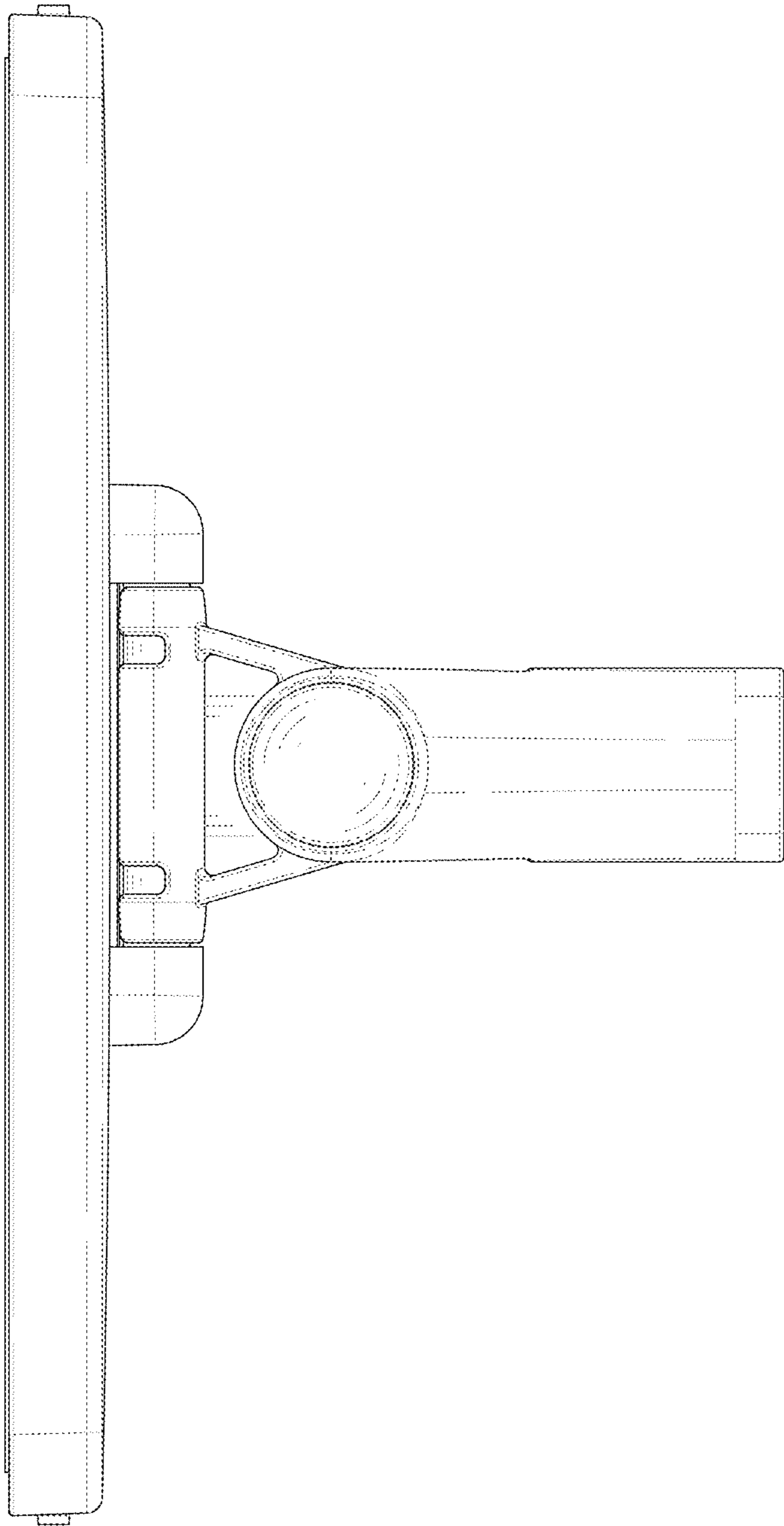
**FIG. 4**



**FIG. 6**



**FIG. 5**



**FIG. 7**



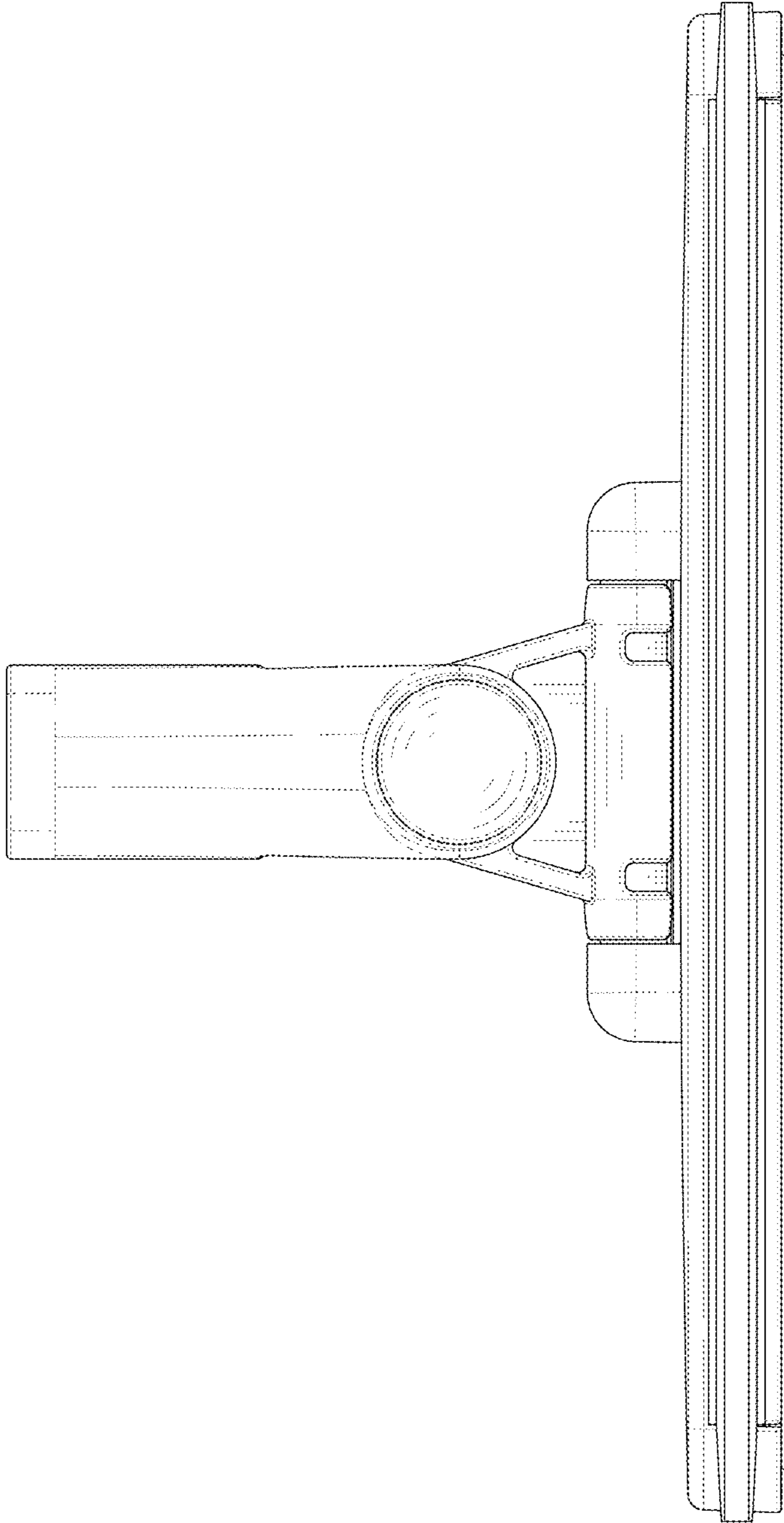


FIG. 8

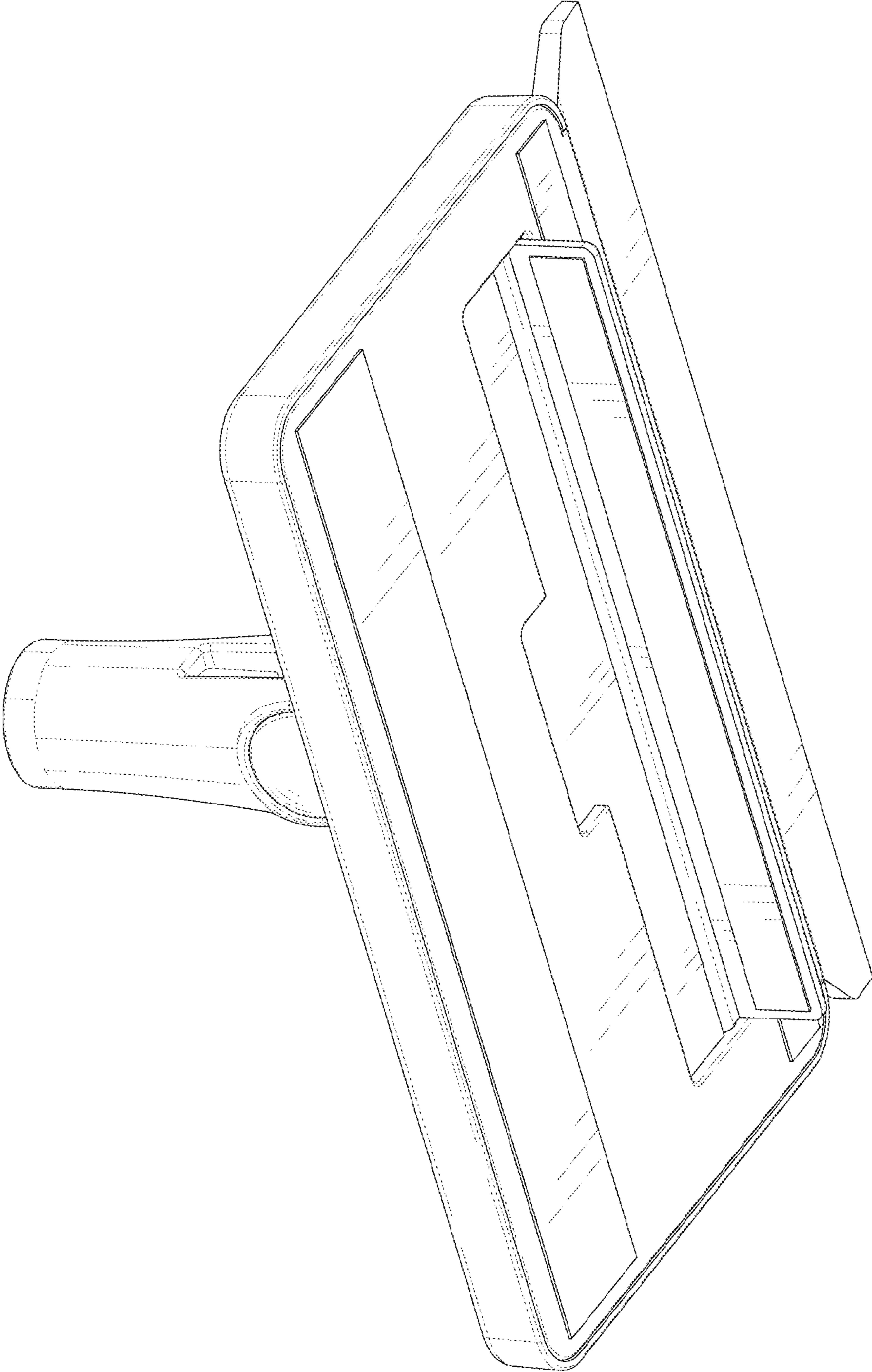


FIG. 9