



US00D968737S

(12) **United States Design Patent**
Mäkitalo et al.

(10) **Patent No.:** **US D968,737 S**
(45) **Date of Patent:** **** Nov. 1, 2022**

(54) **VACUUM CLEANER NOZZLE**

(71) Applicant: **Aktiebolaget Electrolux**, Stockholm (SE)

(72) Inventors: **Elisabeth Piper Mäkitalo**, Stockholm (SE); **Christian Ågren**, Stockholm (SE); **Jonas Kristiansson**, Stockholm (SE)

(73) Assignee: **Aktiebolaget Electrolux**

(**) Term: **15 Years**

(21) Appl. No.: **29/822,337**

(22) Filed: **Jan. 7, 2022**

Related U.S. Application Data

(62) Division of application No. 29/773,160, filed on Mar. 8, 2021, now Pat. No. Des. 945,097, which is a division of application No. 29/634,734, filed on Jan. 24, 2018, now Pat. No. Des. 915,013.

(30) **Foreign Application Priority Data**

Jul. 24, 2017 (EM) 004117786
Jan. 4, 2018 (EM) 004593077

(51) **LOC (13) Cl.** **15-05**

(52) **U.S. Cl.**
USPC **D32/32**

(58) **Field of Classification Search**
USPC D32/17, 18, 21, 22, 23, 24, 31, 32, 33, D32/34

CPC A47L 11/20; A47L 11/34; A47L 11/40; A47L 11/4016; A47L 5/24; A47L 5/28; A47L 7/02

See application file for complete search history.

(56) **References Cited**

U.S. PATENT DOCUMENTS

D509,934 S 9/2005 Santiago et al.
D562,509 S 2/2008 Lee
7,823,250 B2 11/2010 Vander Baan
7,891,049 B1 2/2011 Miner

(Continued)

OTHER PUBLICATIONS

“4 Ways Electrolux Pure F9 Will Change How You Feel About Vacuuming”, (on-line), dated Feb. 21, 2019, retrieved from internet Oct. 20, 2021, <https://www.harveynorman.com.au/blog/home-living/4-ways-electrolux-pure-f9-will-change-how-you-feel-about-vacuuming/>, 9 pages.

(Continued)

Primary Examiner — Kimberly Barnes

(74) *Attorney, Agent, or Firm* — RatnerPrestia

(57) **CLAIM**

The ornamental design for a vacuum cleaner nozzle, as shown and described.

DESCRIPTION

FIG. 1 is a left front isometric view of a vacuum cleaner nozzle of our new design;

FIG. 2 is a front elevation view of the vacuum cleaner nozzle of FIG. 1;

FIG. 3 is a rear elevation view of the vacuum cleaner nozzle of FIG. 1;

FIG. 4 is a left elevation view of the vacuum cleaner nozzle of FIG. 1;

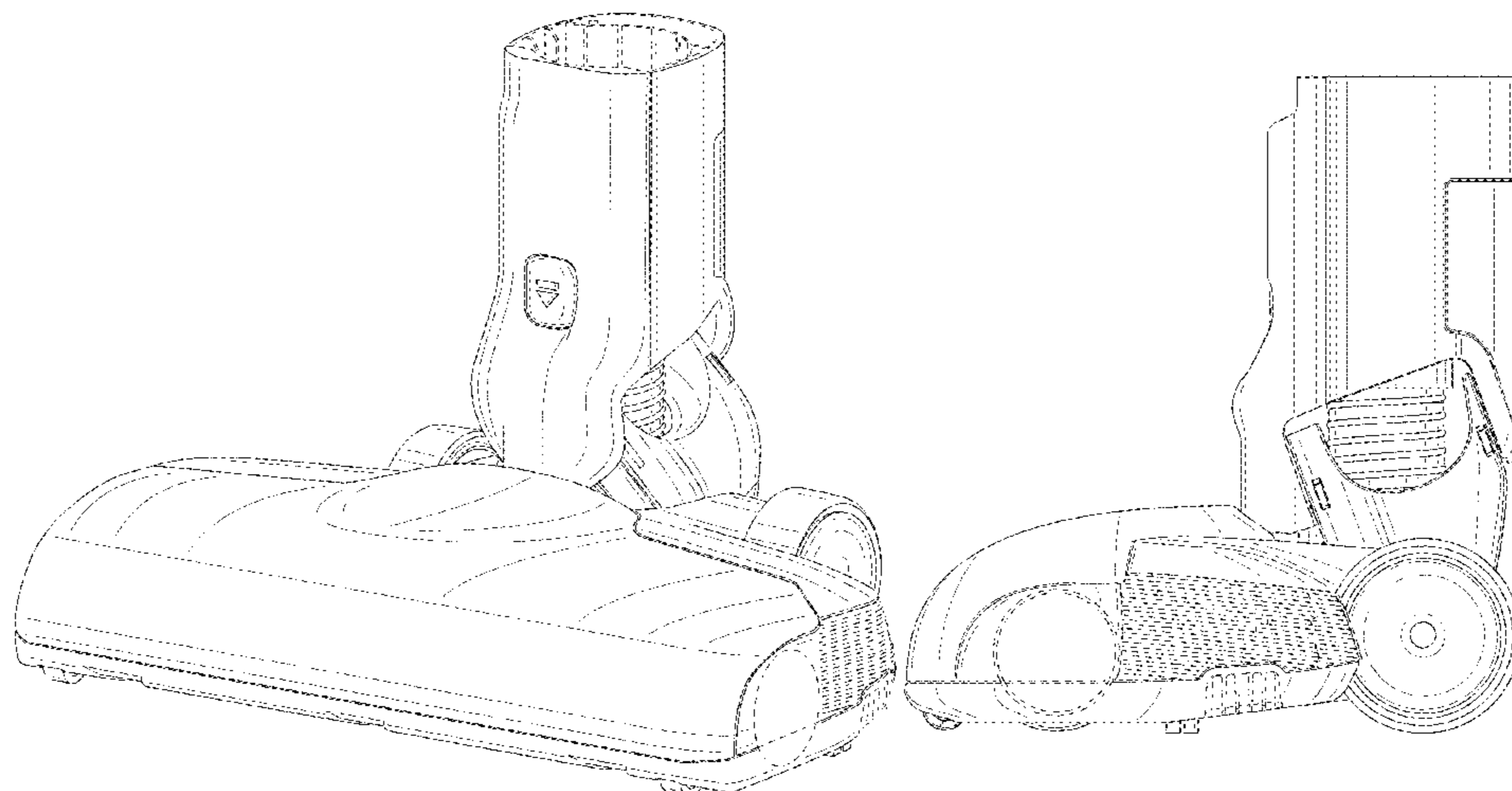
FIG. 5 is a right elevation view of the vacuum cleaner nozzle of FIG. 1;

FIG. 6 is a top plan view of the vacuum cleaner nozzle of FIG. 1; and,

FIG. 7 is a bottom plan view of the vacuum cleaner nozzle of FIG. 1.

In the drawings, the dashed broken lines indicate environmental structure that forms no part of the claimed design, and long dash-short dash-long dash lines denote boundaries of the claimed design.

1 Claim, 7 Drawing Sheets



(56)

References Cited

U.S. PATENT DOCUMENTS

D725,855 S 3/2015 Burnham et al.
 D730,001 S 5/2015 Yun et al.
 D759,919 S 6/2016 Smith et al.
 9,402,516 B2 8/2016 Pilch
 D770,106 S 10/2016 Johnson et al.
 D772,510 S 11/2016 Palladino
 D778,015 S 1/2017 Miller et al.
 D783,912 S 4/2017 Shin
 D784,636 S 4/2017 Canas et al.
 9,681,788 B2 6/2017 Fan
 D791,421 S 7/2017 Wu et al.
 D836,863 S 12/2018 Theising et al.
 D837,469 S 1/2019 Johnson et al.
 D844,914 S 4/2019 Houghton
 D866,108 S 11/2019 Palladino
 10,512,383 B2 12/2019 Luyckx et al.
 10,716,447 B2 7/2020 Shrader et al.
 10,827,902 B2 11/2020 Miller
 D915,013 S 3/2021 Makitalo et al.
 10,952,580 B1 3/2021 Kim
 11,058,267 B2 7/2021 Svantesson et al.
 D929,053 S 8/2021 Dong
 D930,927 S 9/2021 Smith et al.
 11,122,952 B2 9/2021 Diana et al.
 D934,519 S * 10/2021 Knapp D32/22
 D943,229 S * 2/2022 Pang D32/18
 D945,097 S * 3/2022 Mäkitalo D32/22

D946,221 S * 3/2022 Ma D32/18
 2014/0208536 A1 7/2014 Ni
 2019/0142232 A1 5/2019 McRorie et al.
 2019/0191951 A1 6/2019 Rukavina et al.
 2020/0154968 A1 5/2020 Terry et al.
 2020/0214526 A1 7/2020 Huang et al.
 2020/0268225 A1 8/2020 Ashbaugh et al.
 2020/0367707 A1 11/2020 Dahlbeck et al.
 2021/0068598 A1 3/2021 Kristiansson et al.
 2021/0121030 A1 4/2021 Liu et al.
 2021/0145230 A1 5/2021 Paulla et al.
 2021/0330161 A1 * 10/2021 McRorie A47L 5/30
 2021/0408868 A1 * 12/2021 Park H02K 7/14
 2022/0007907 A1 * 1/2022 Hederos A47L 9/1445

OTHER PUBLICATIONS

“Electrolux launches groundbreaking cordless vacuum cleaner”, (on-line), dated Aug. 21, 2018, retrieved from the internet Nov. 21, 2020, <https://www.electroluxgroup.com/en/electrolux-launches-groundbreaking-cordless-vacuum-cleaner-26003>, 5 pages.
 ELX Pure F9 Unpack Experience—YouTube (on-line), dated Sep. 5, 2018, retrieved from internet Oct. 20, 2021, <https://www.youtube.com/watch?v=ZyY2IBFcSqQ>, 1 page.
 Entire patent prosecution history of U.S. Appl. No. 29/263,734, filed Jan. 24, 2018, entitled, “Vacuum Cleaner.”
 Entire patent prosecution history of U.S. Appl. No. 29/773,160, filed Mar. 8, 2021, entitled, “Vacuum Cleaner.”

* cited by examiner

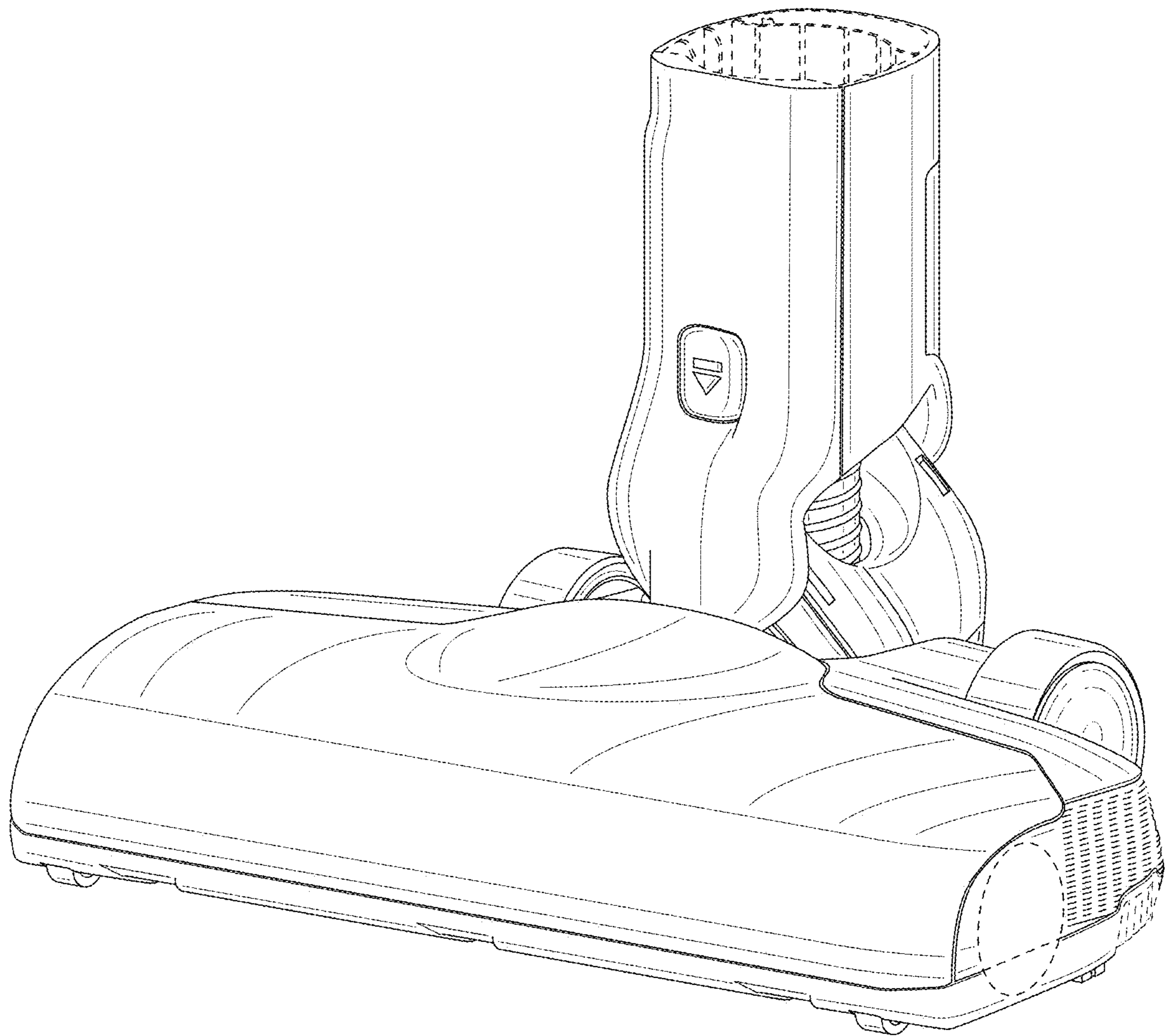


FIG. 1

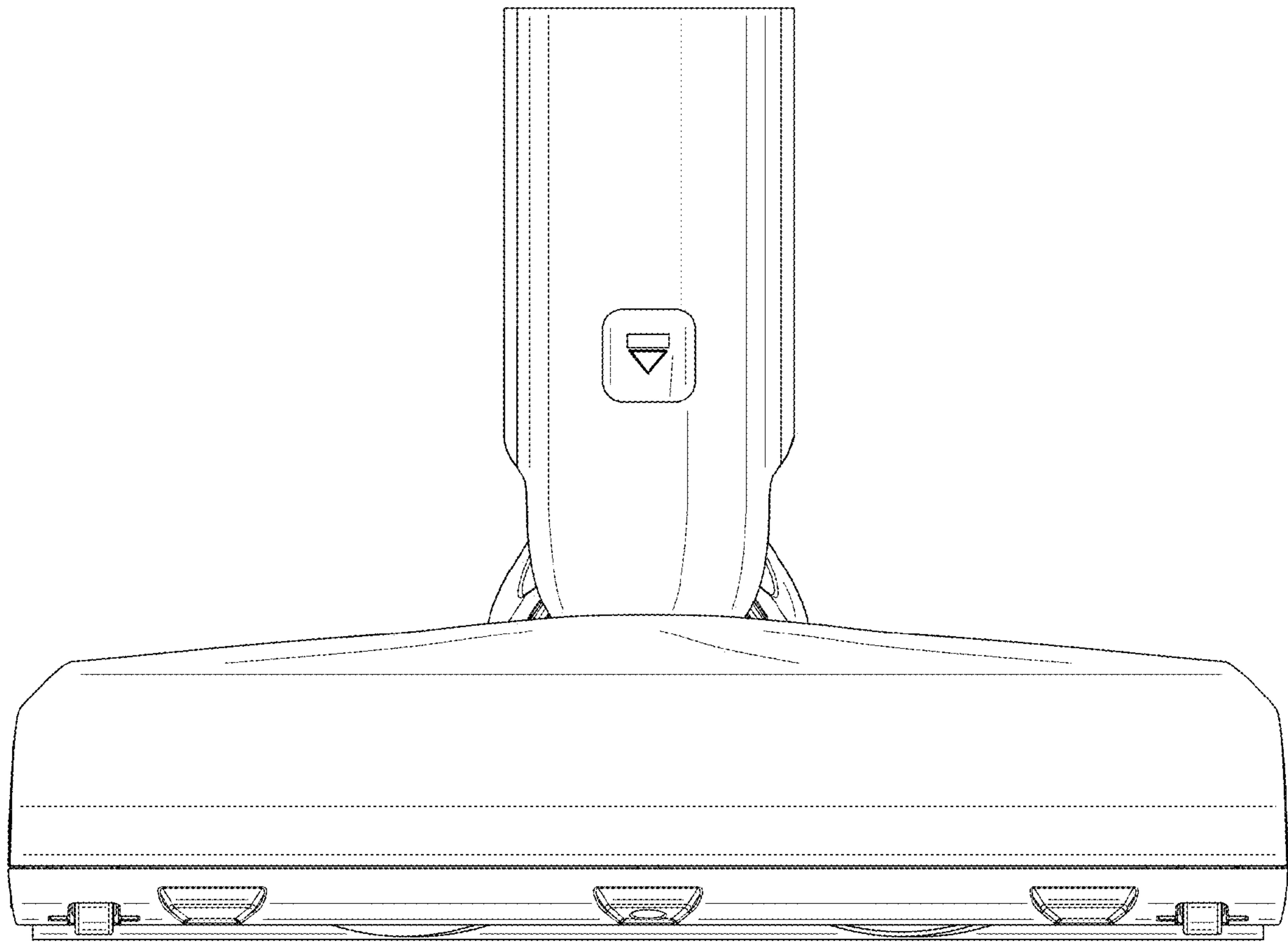


FIG. 2

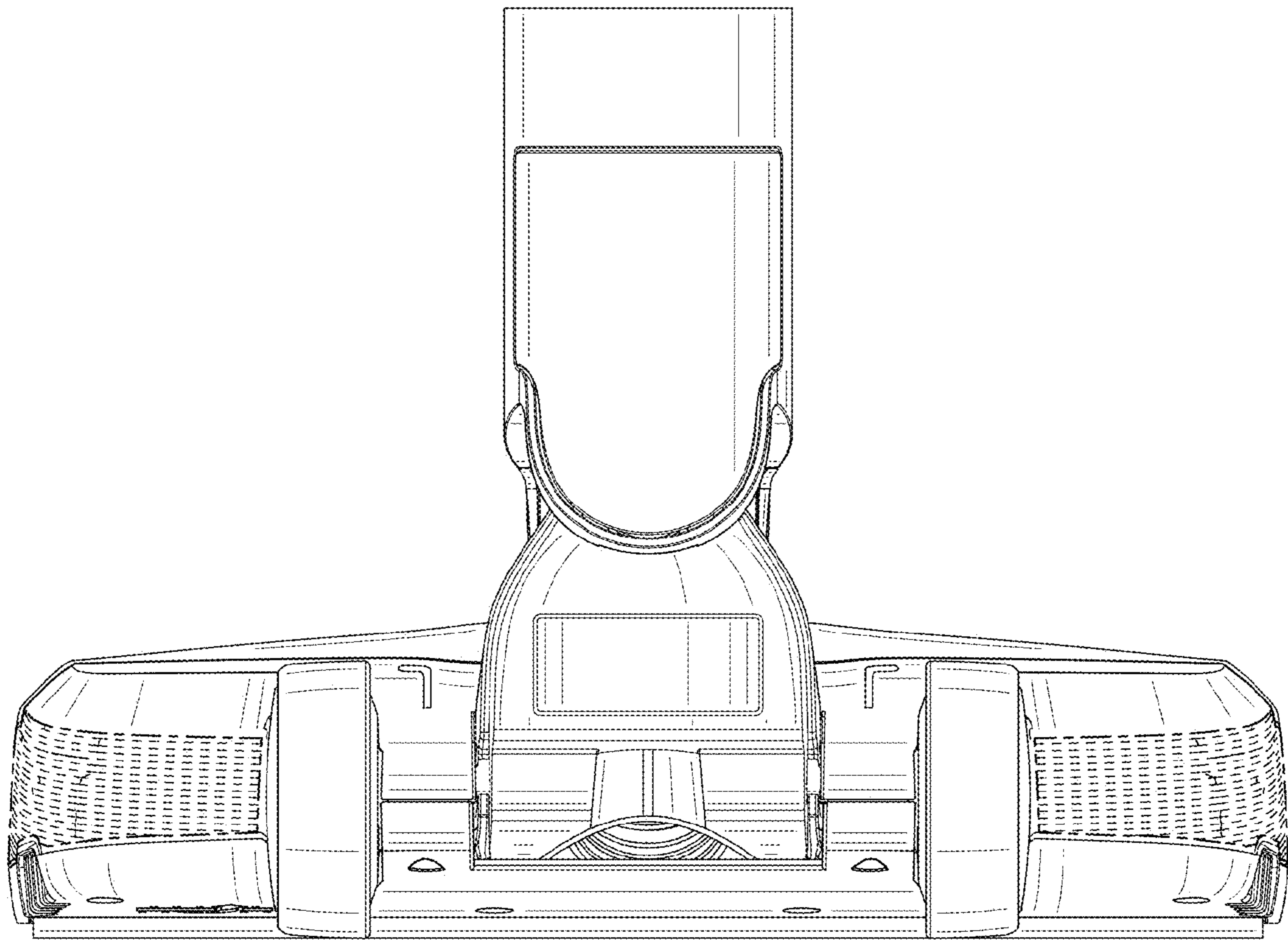


FIG. 3

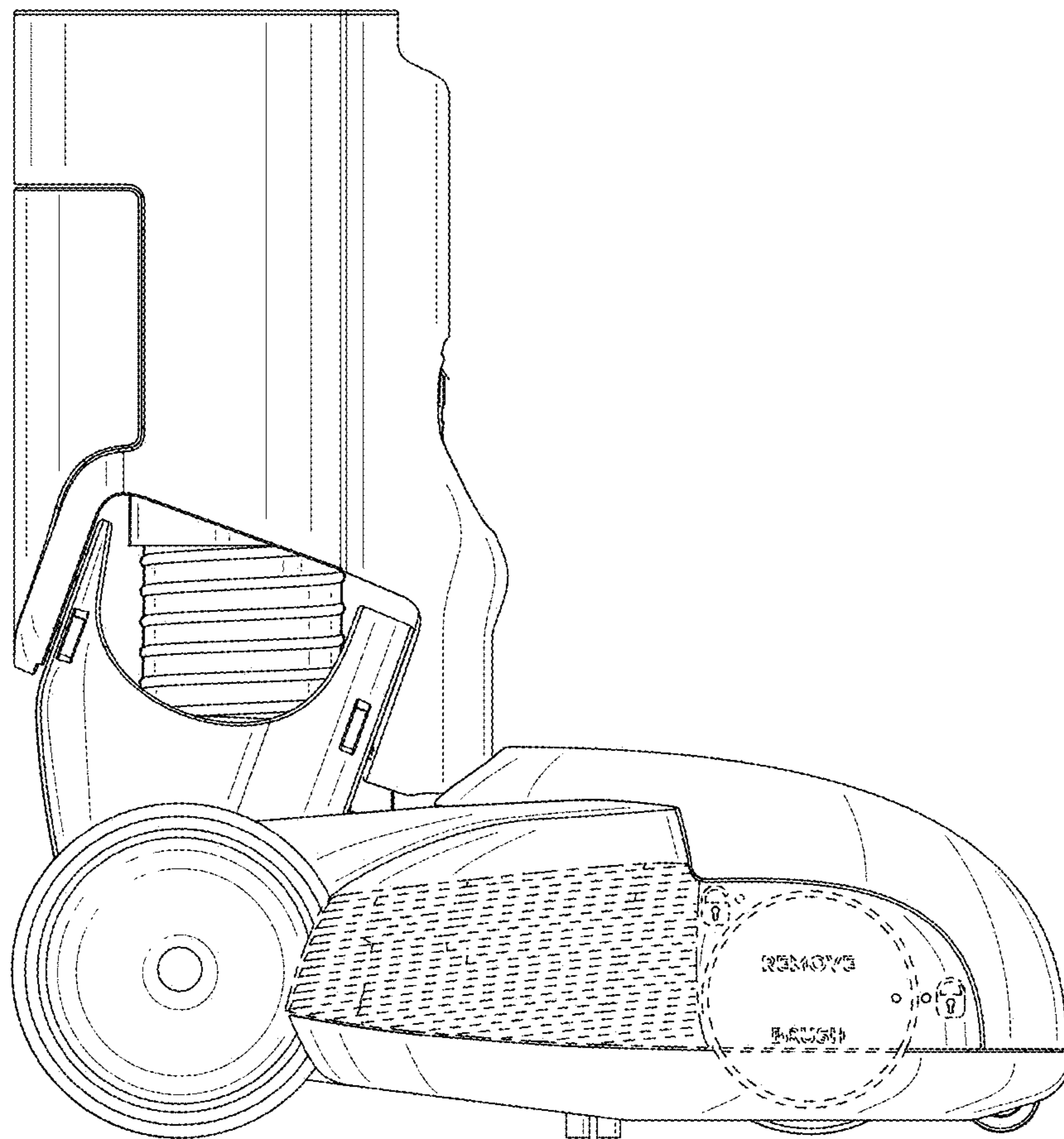


FIG. 4

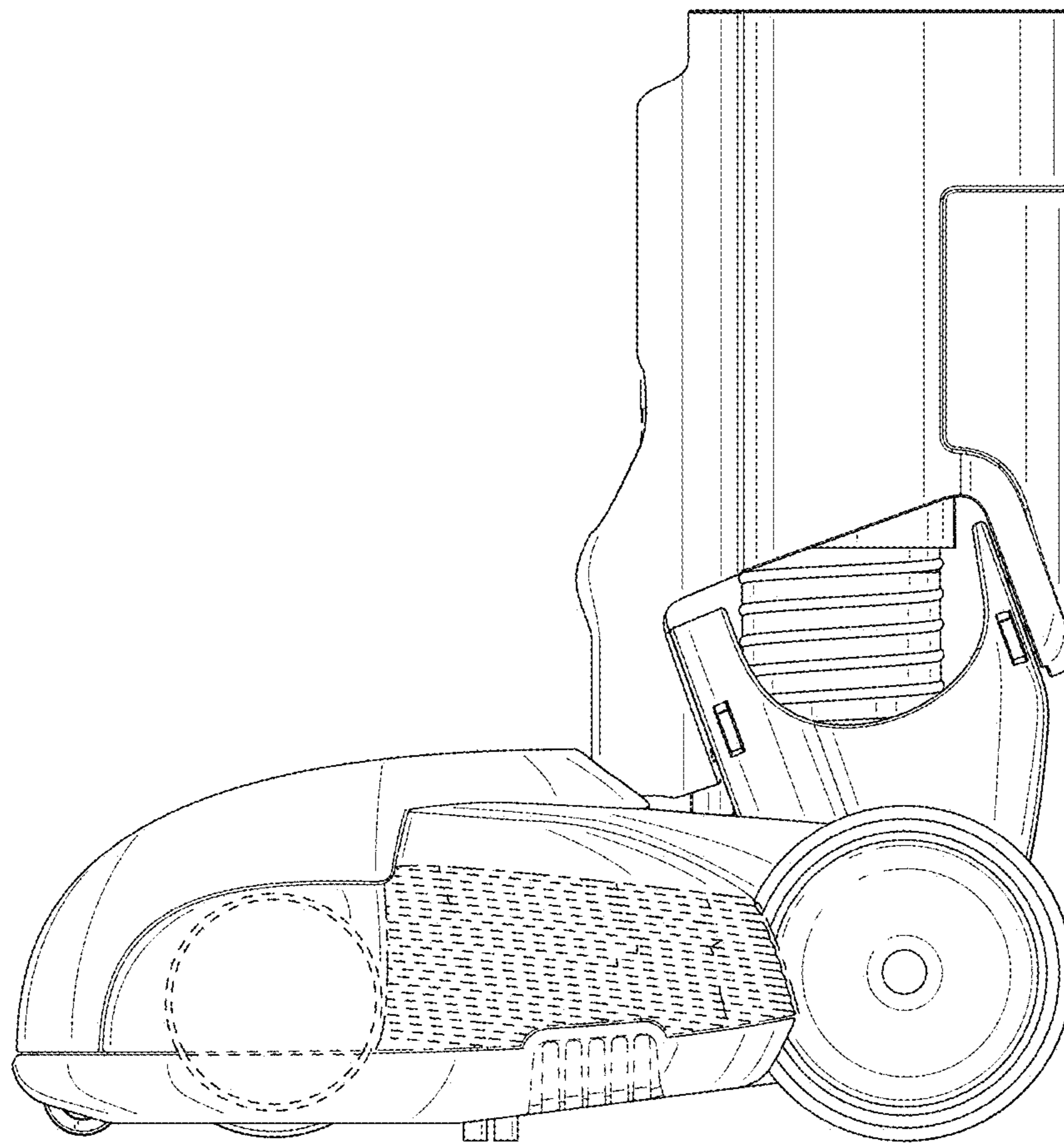


FIG. 5

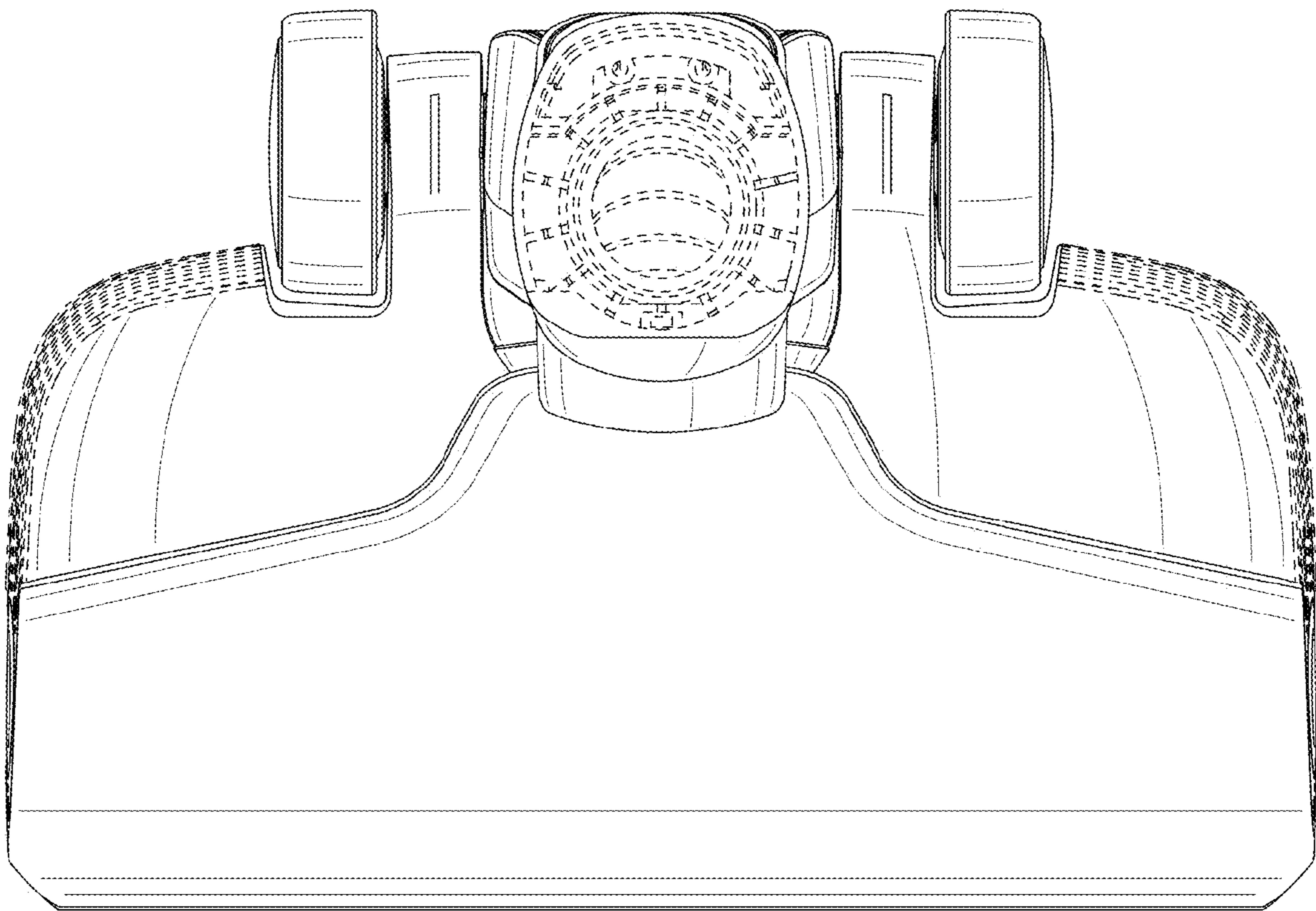


FIG. 6

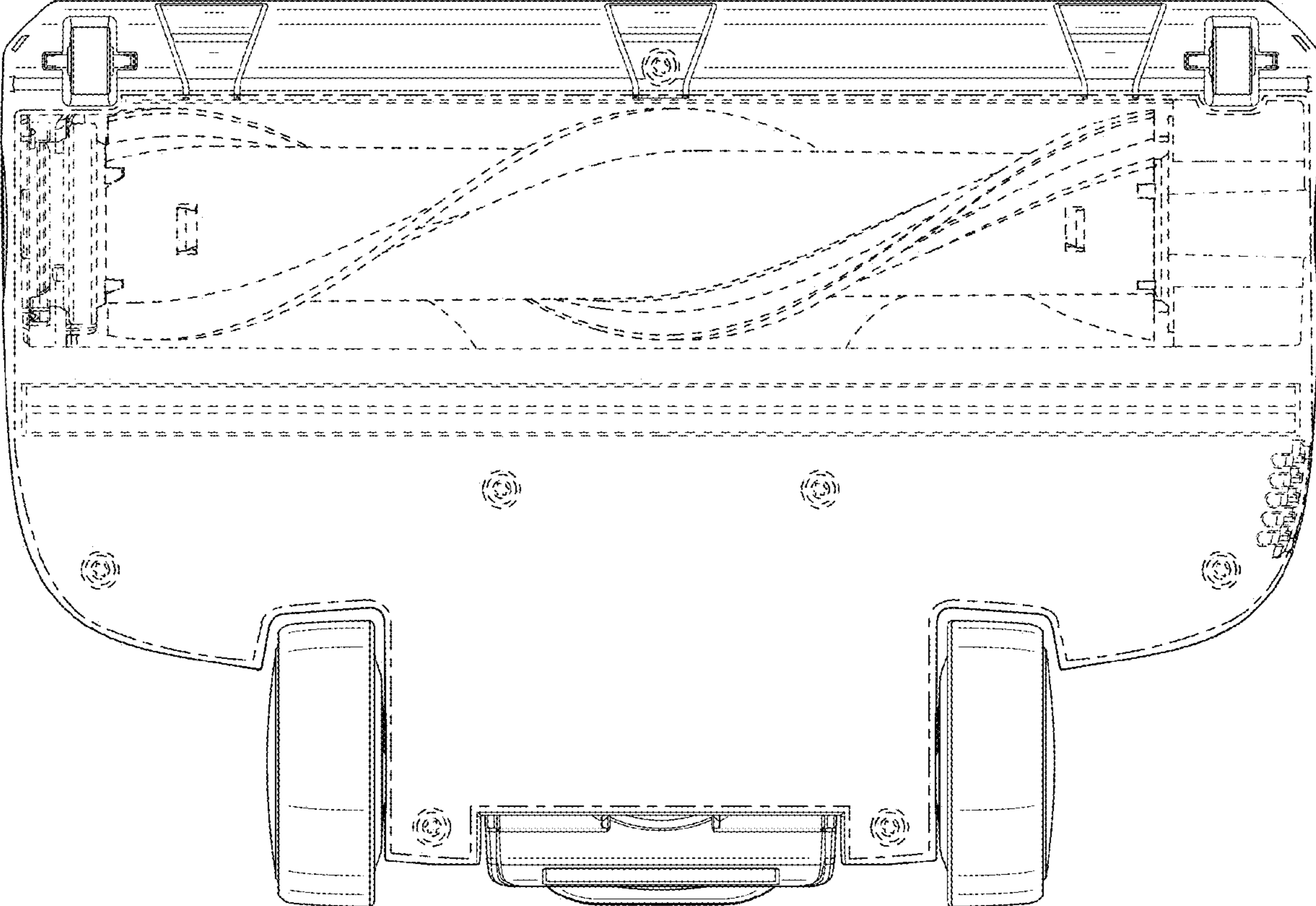


FIG. 7