



US00D968735S

(12) **United States Design Patent**  
**Wang**

(10) **Patent No.:** **US D968,735 S**

(45) **Date of Patent:** **\*\* Nov. 1, 2022**

(54) **TRIGGER LOCK FOR VACUUM CLEANER**

10,852,089 B1 \* 12/2020 Ramirez Navarrete .....  
F41A 17/066

(71) Applicant: **Guangzhou blue livestock trading Co., Ltd.**, Guangzhou (CN)

D910,947 S \* 2/2021 Zhu ..... D32/31  
D961,037 S \* 8/2022 Pobutkiewicz ..... D22/108  
2022/0178639 A1 \* 6/2022 Song ..... F41A 17/54

(72) Inventor: **Hao Wang**, Guangzhou (CN)

**OTHER PUBLICATIONS**

(\*\*) Term: **15 Years**

LANMU Trigger Lock (on-line), no date available. Retrieved from Internet Aug. 16, 2022, URL: <https://www.amazon.com/LANMU-Compatible-Absolute-Cordless-Accessories/dp/B09ZV1NF9K> (1 page).\*

(21) Appl. No.: **29/792,460**

(22) Filed: **Mar. 30, 2022**

(51) **LOC (13) Cl.** ..... **15-05**

\* cited by examiner

(52) **U.S. Cl.**

USPC ..... **D32/31**

*Primary Examiner* — Kimberly Barnes

(58) **Field of Classification Search**

USPC ..... D32/15-24, 31-34; D22/108  
CPC . A47L 5/24; A47L 5/26; A47L 9/2868; A47L 9/00; A47L 11/20; A47L 11/40; A47L 9/32; A47L 9/322; A47L 9/325; A47L 9/327; F41A 17/54

See application file for complete search history.

(57) **CLAIM**

The ornamental design for a trigger lock for vacuum cleaner, as shown and described.

(56) **References Cited**

**DESCRIPTION**

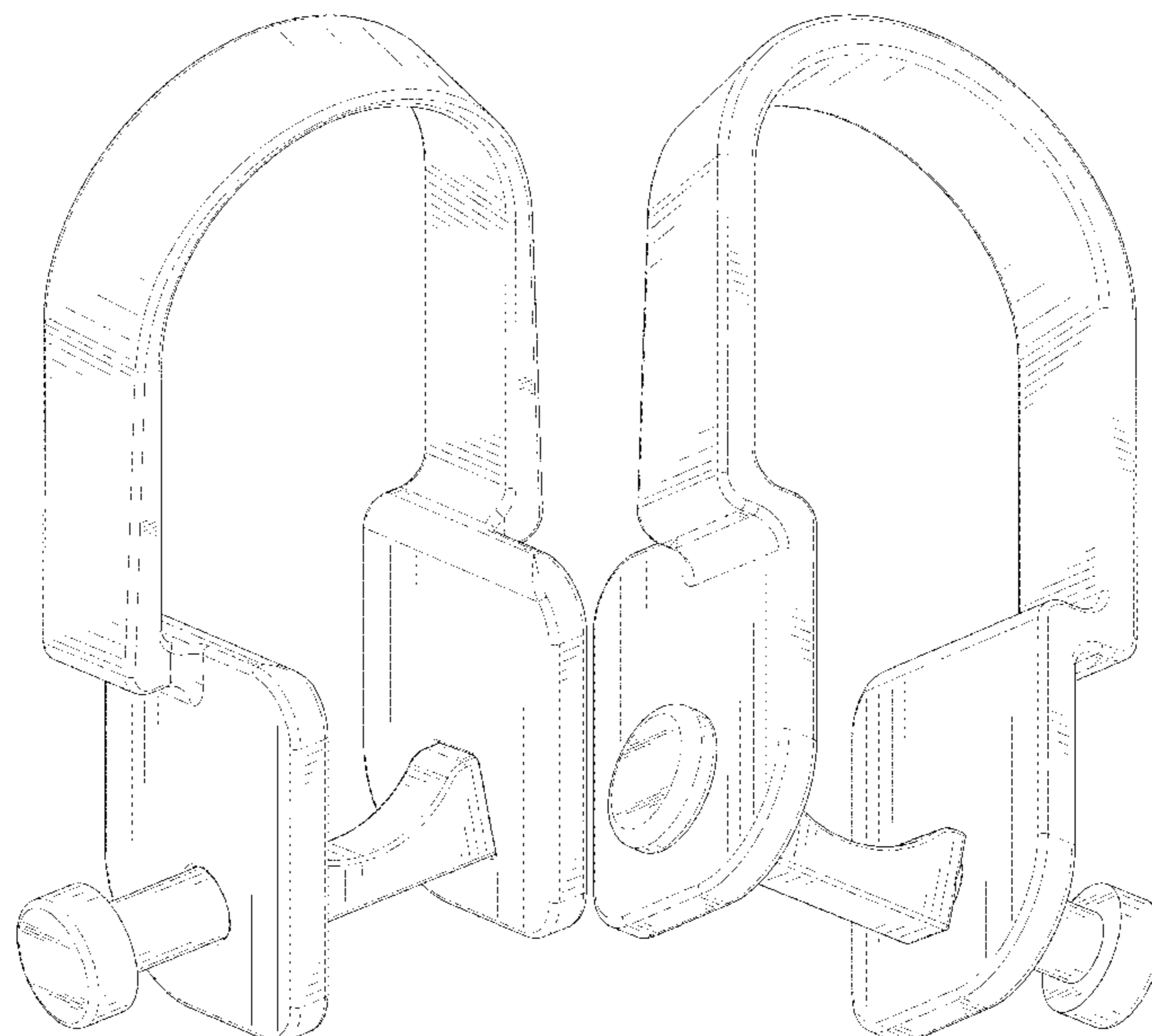
**U.S. PATENT DOCUMENTS**

- 3,956,842 A \* 5/1976 Ballenger ..... F41A 17/54  
42/70.07
- 5,153,360 A \* 10/1992 Upton ..... F41A 17/54  
42/70.07
- D435,280 S \* 12/2000 Vicale ..... D22/100
- 6,205,695 B1 \* 3/2001 Schnell ..... F41A 17/54  
42/70.07
- D443,014 S \* 5/2001 Vicale ..... D22/100
- 6,474,238 B1 \* 11/2002 Weinraub ..... F41A 17/54  
42/70.07
- D571,187 S 6/2008 Garnett
- 8,347,664 B2 \* 1/2013 Bishir, Jr. .... E05B 67/24  
70/61
- 8,720,097 B2 \* 5/2014 Derman ..... F41A 17/54  
42/70.07
- D905,361 S \* 12/2020 Wang ..... D32/31

FIG. 1 is a front and top perspective view of a trigger lock for vacuum cleaner, showing my new design;  
FIG. 2 is a rear and bottom perspective view thereof;  
FIG. 3 is a front elevation view thereof;  
FIG. 4 is a rear elevation view thereof;  
FIG. 5 is a left side elevation view thereof;  
FIG. 6 is a right side elevation view thereof;  
FIG. 7 is a top plan view thereof;  
FIG. 8 is a bottom plan view thereof; and,  
FIG. 9 is another perspective view thereof, shown in a using position.

The broken lines of a vacuum cleaner in FIG. 9 depict environmental structure that form no part of the claimed design.

**1 Claim, 9 Drawing Sheets**



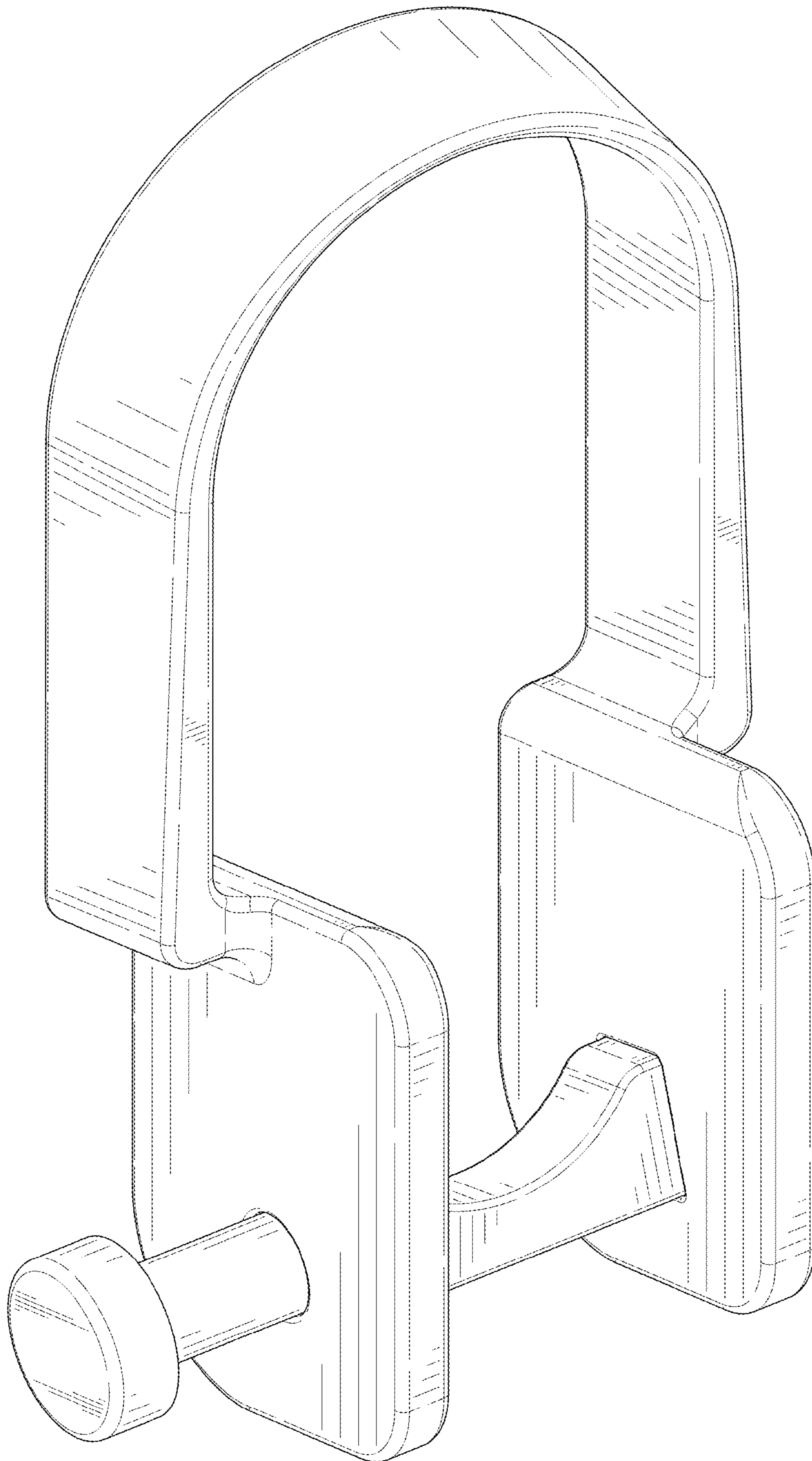


FIG. 1

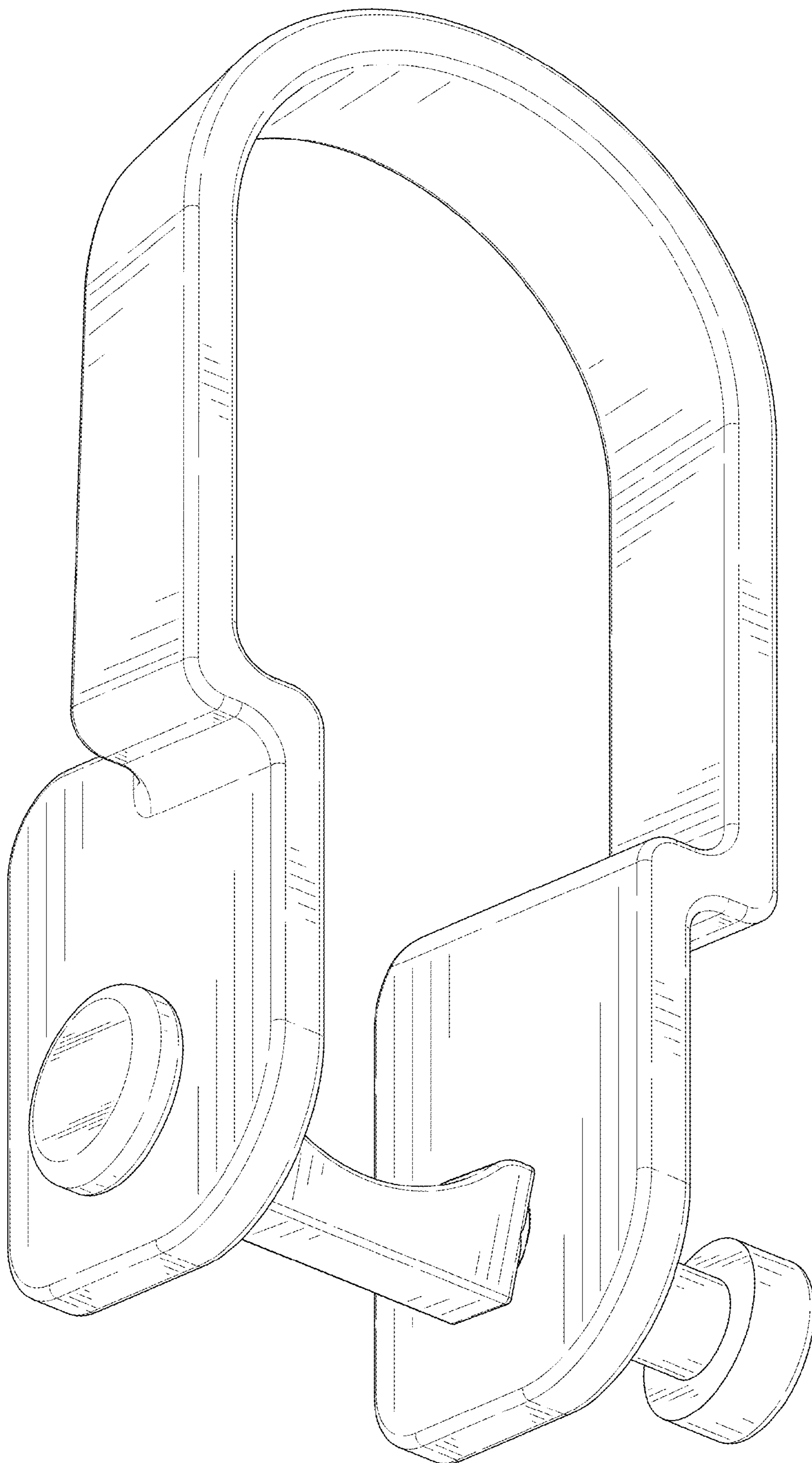


FIG. 2



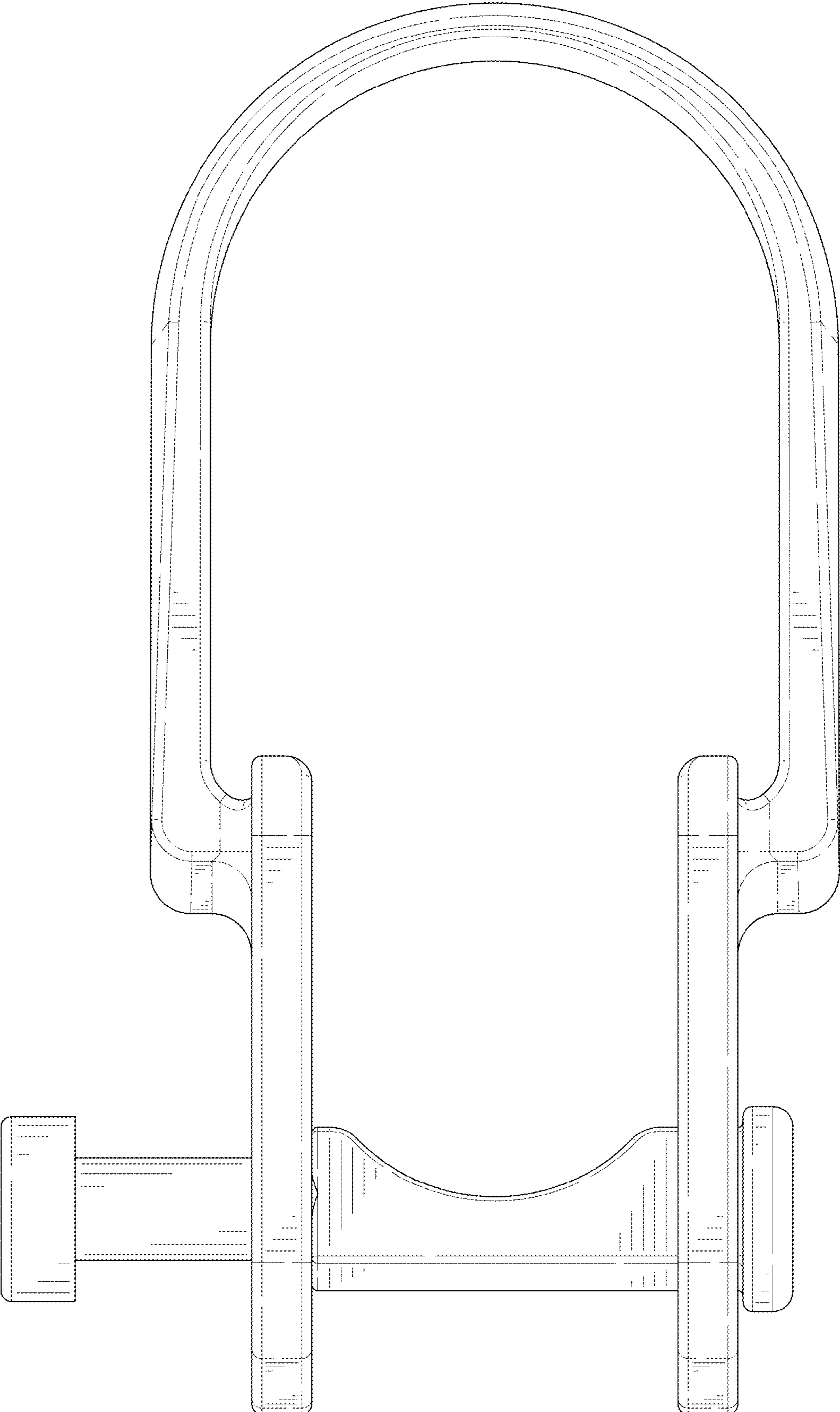


FIG. 3

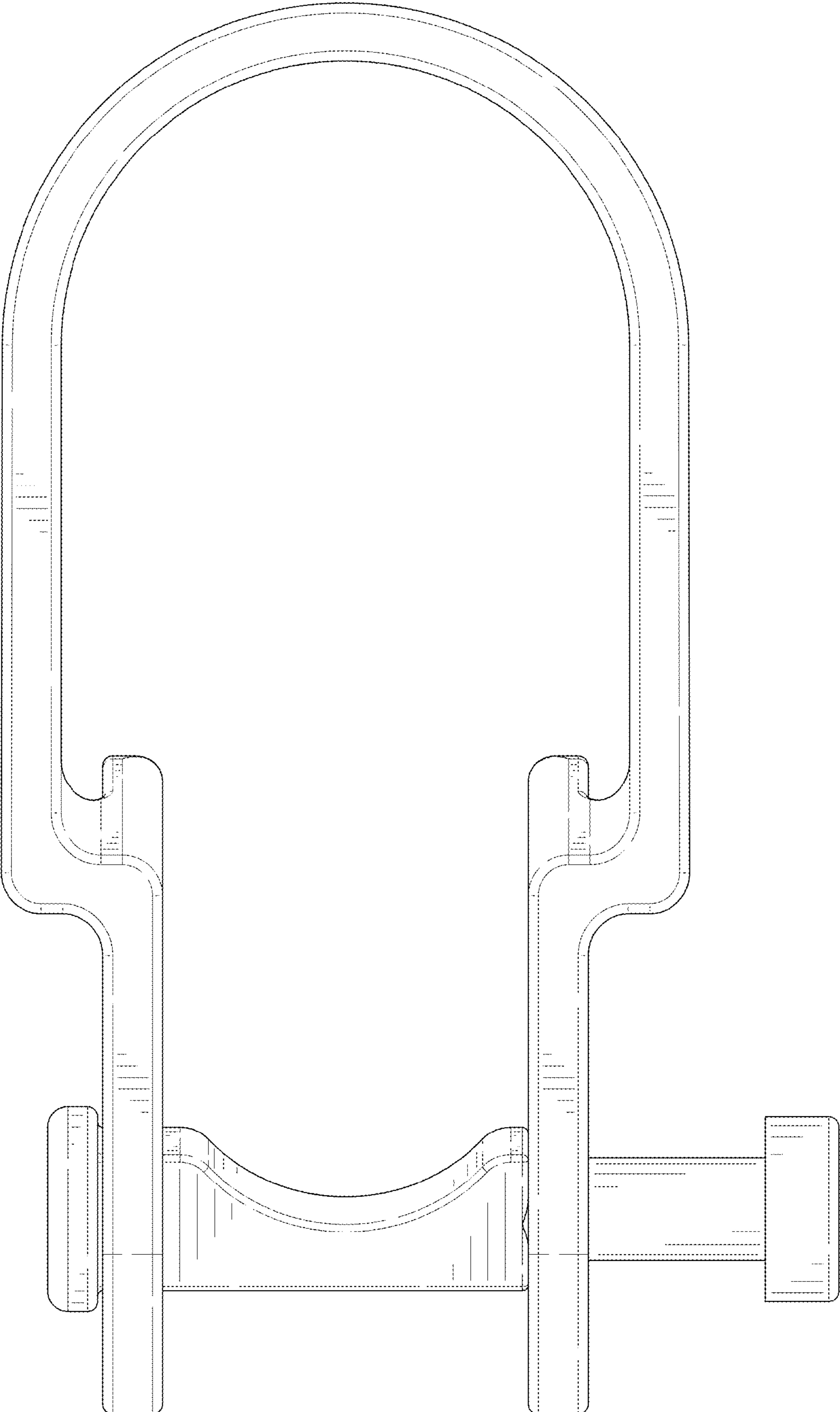


FIG. 4

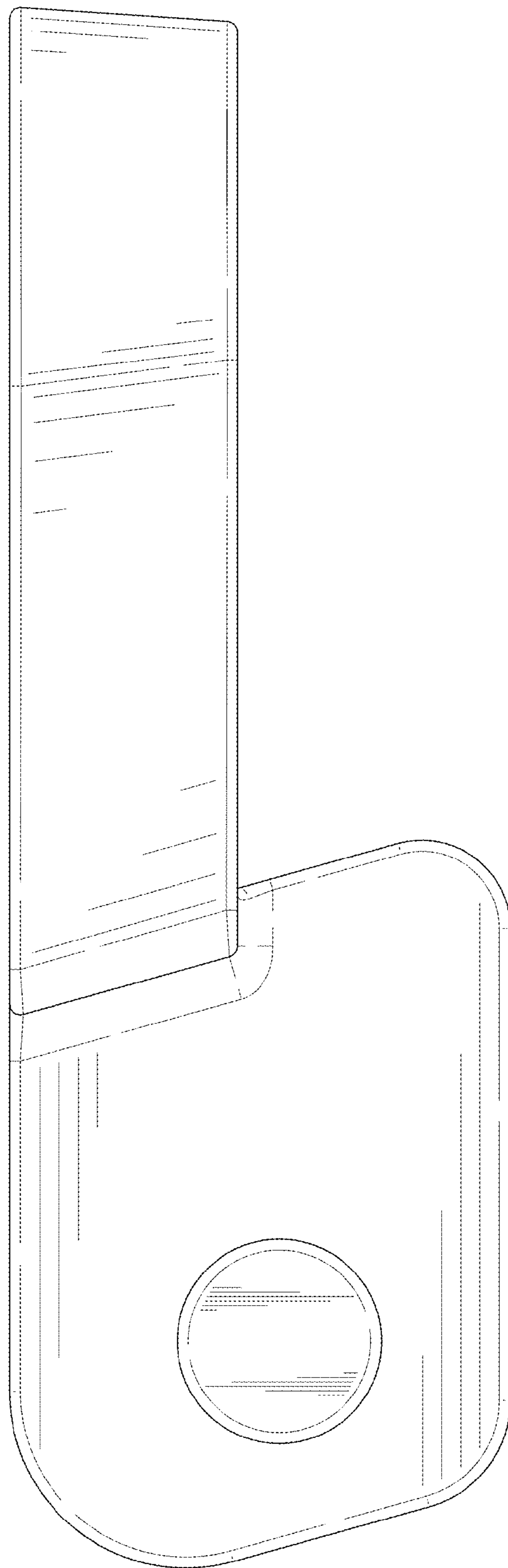


FIG. 5

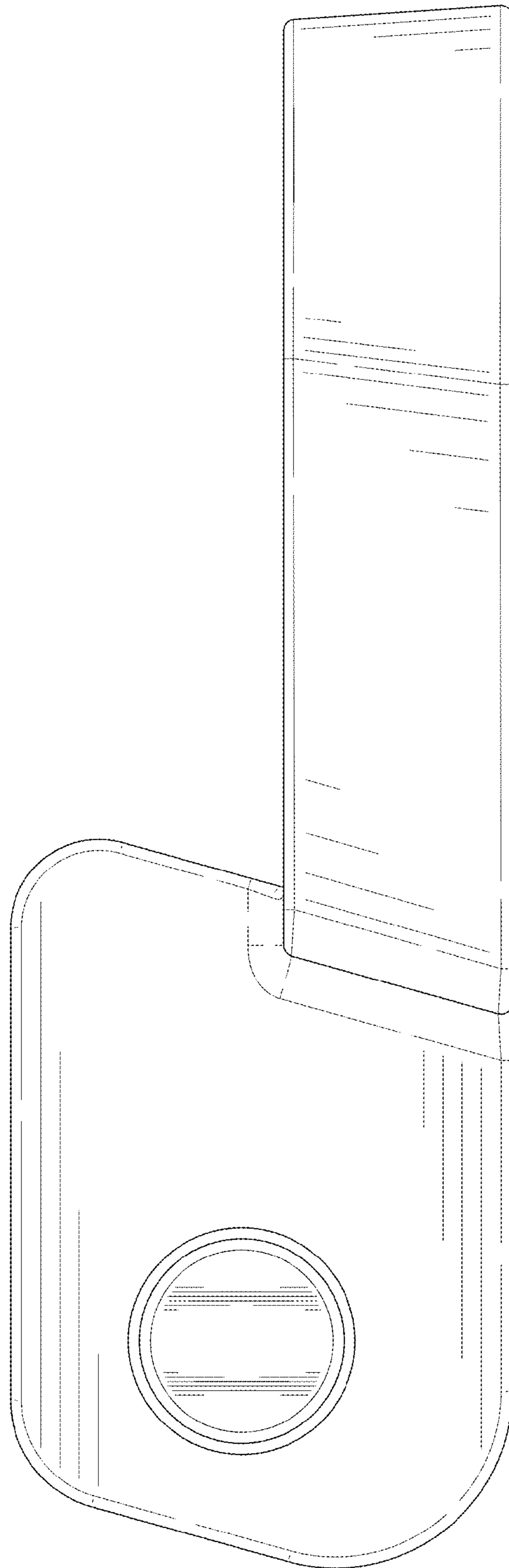


FIG. 6

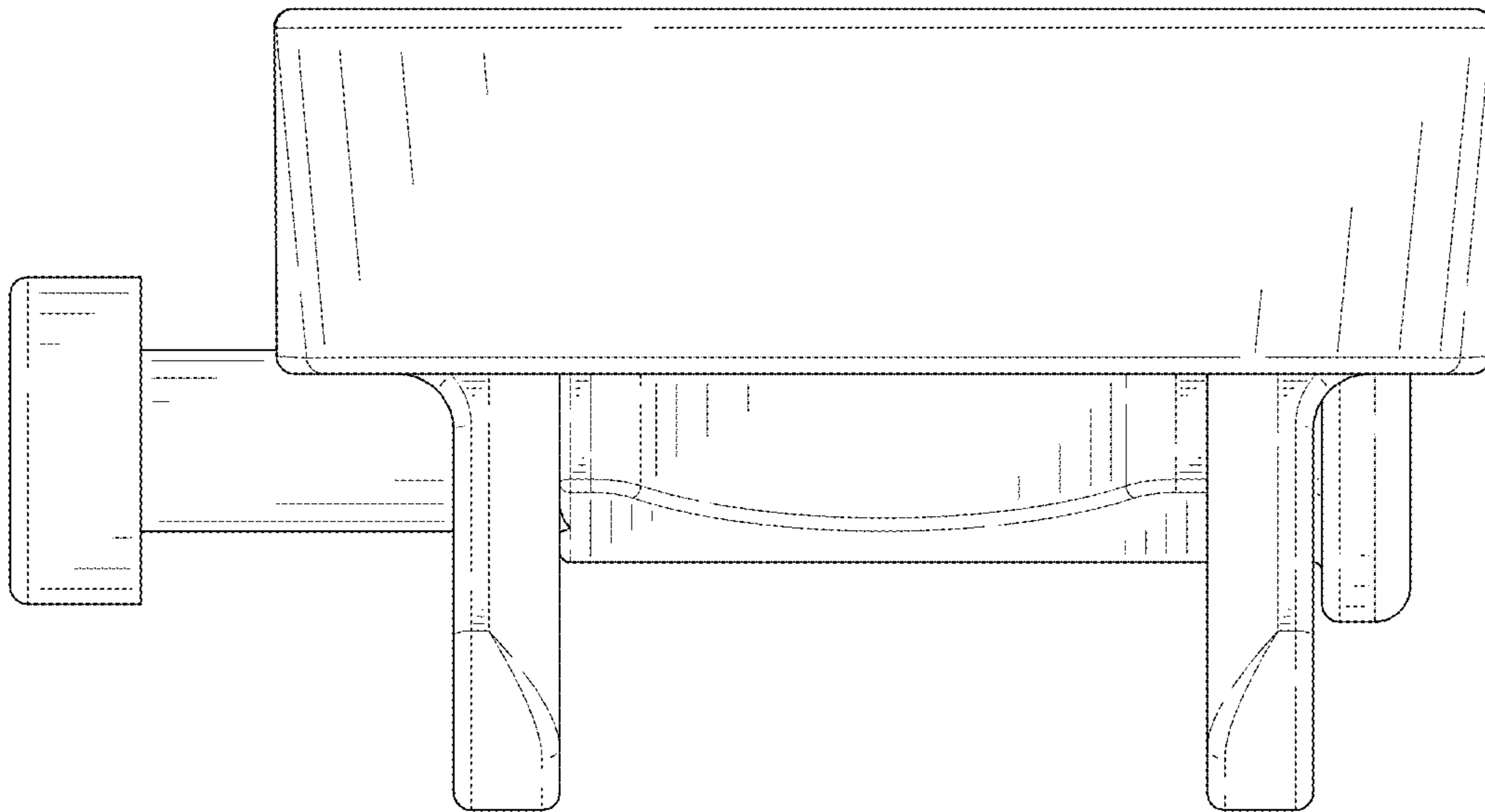


FIG. 7



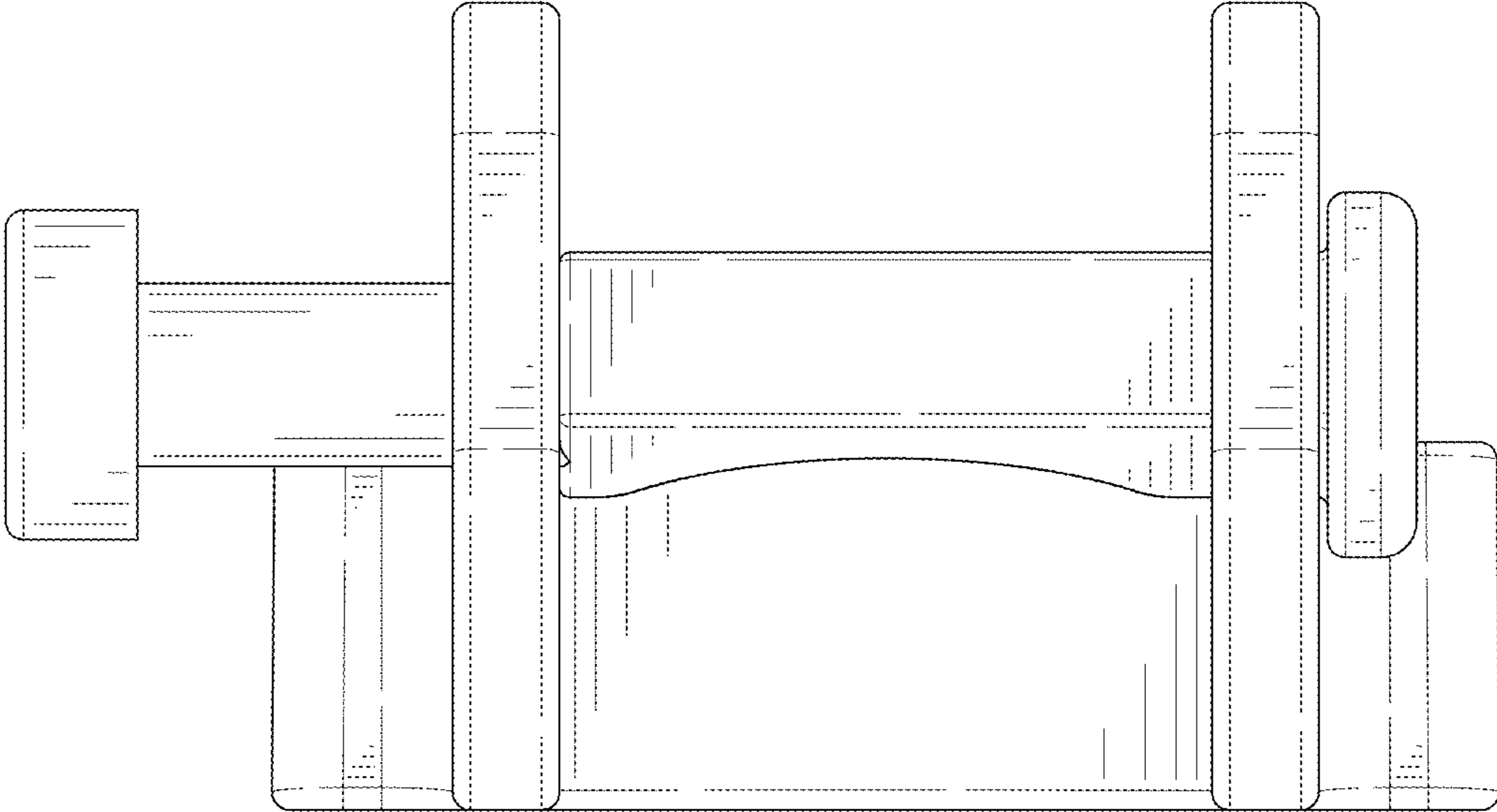


FIG. 8

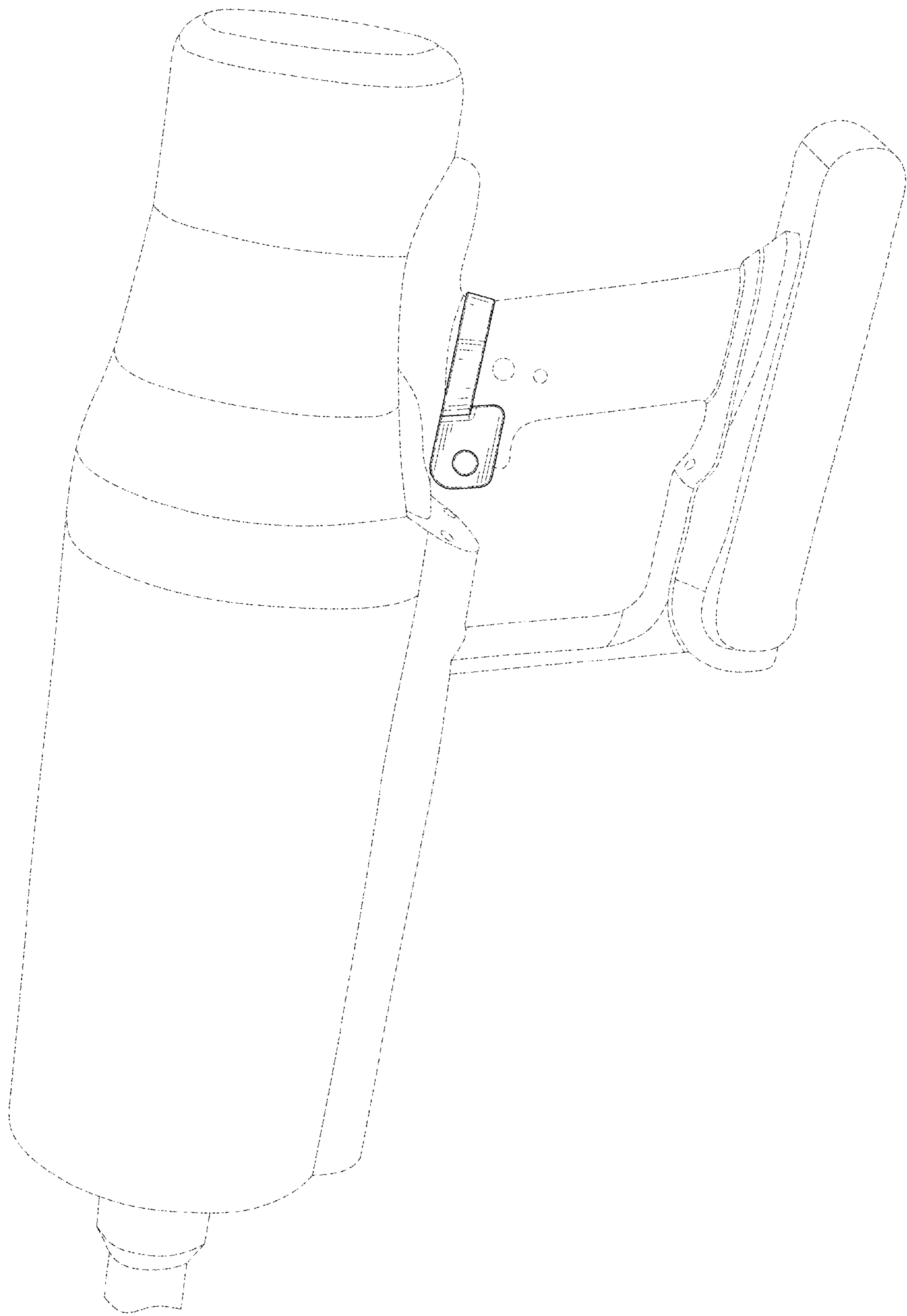


FIG. 9