



US00D968733S

(12) **United States Design Patent**  
**Maniff et al.**

(10) **Patent No.:** **US D968,733 S**  
(45) **Date of Patent:** **\*\* Nov. 1, 2022**

- (54) **COVER**
- (71) Applicant: **Maniff Creations, Inc.**, Stevenson Ranch, CA (US)
- (72) Inventors: **Jonathan Maniff**, Stevenson Ranch, CA (US); **Francesca Maniff**, Stevenson Ranch, CA (US)
- (73) Assignee: **Maniff Creations, Inc.**, Stevenson Ranch, CA (US)
- (\*\*) Term: **15 Years**

D255,743 S \* 7/1980 Randall ..... D6/596  
 4,301,615 A \* 11/1981 Ikeda ..... A63H 11/205  
 446/293  
 4,718,721 A \* 1/1988 Pompa ..... A47C 31/11  
 297/229

(Continued)

- (21) Appl. No.: **29/739,597**
- (22) Filed: **Jun. 26, 2020**
- (51) **LOC (13) Cl.** ..... **15-05**
- (52) **U.S. Cl.**  
USPC ..... **D32/25; D9/451**
- (58) **Field of Classification Search**  
USPC ..... D9/414-426, 428-435, 500, 503, 504,  
D9/439, 442, 452, 502, 607, 612-615,  
D9/617, 695, 696, 723, 724, 737, 739,  
D9/741, 742, 755, 756, 772, 774,  
D9/776-779, 436, 441, 444, 445, 447,  
D9/451, 454, 499; D7/601, 602, 538,  
D7/540, 387, 392.1, 396.2; D3/216, 217;  
D32/21, 25, 32, 31  
CPC .. A63H 3/00; A63H 3/003; A47L 7/00; A47L  
9/00; A47L 7/0085; A47L 2201/00  
See application file for complete search history.

OTHER PUBLICATIONS

Amazon. Roomba Compatible Cover: Rudolph the Red-Nosed Rascal. First available Oct. 16, 2020. Visited Dec. 20, 2021. <https://www.amazon.ca/Roomba-Compatible-Cover-Rudolph-Red-Nosed/dp/B08KGV3NVX/> (Year: 2020).\*

(Continued)

*Primary Examiner* — Darcey E Gottschalk  
*Assistant Examiner* — Vanessa M. Pursley  
 (74) *Attorney, Agent, or Firm* — James E. Schutz; Korbin M. Blunck

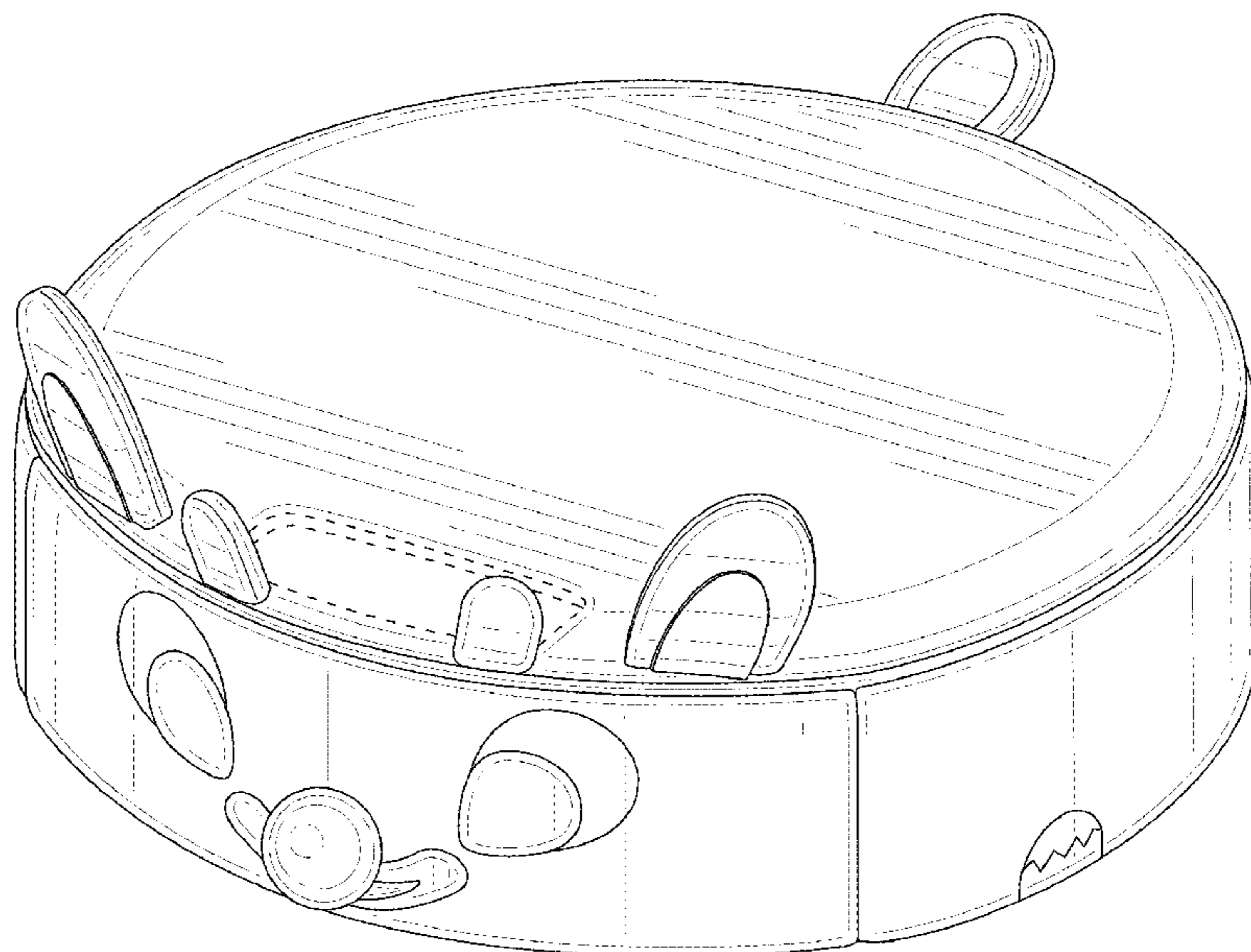
(57) **CLAIM**  
 We claim the ornamental design for a cover, as shown and described.

**DESCRIPTION**

FIG. 1 is an upper perspective view of a cover;  
 FIG. 2 is a lower perspective view of the design shown in FIG. 1;  
 FIG. 3 is a front plan view of the design shown in FIG. 1;  
 FIG. 4 is a rear plan view of the design shown in FIG. 1;  
 FIG. 5 is a left side plan view of the design shown in FIG. 1;  
 FIG. 6 is a right side plan view of the design shown in FIG. 1;  
 FIG. 7 is a top plan view of the design shown in FIG. 1; and,  
 FIG. 8 is a bottom plan view of the design shown in FIG. 1.  
 The broken lines shown represent unclaimed subject matter and form no part of the claimed design. The shade lines shown represent surface shading and not surface ornamentation, color, or material type.

- (56) **References Cited**  
 U.S. PATENT DOCUMENTS  
 D194,093 S \* 11/1962 Mullinix ..... D32/25  
 D217,736 S \* 6/1970 Marsee ..... D24/217  
 D227,512 S \* 6/1973 Kantz ..... D24/198  
 D250,646 S \* 12/1978 Hashimoto ..... D14/200

**1 Claim, 8 Drawing Sheets**



(56)

References Cited

U.S. PATENT DOCUMENTS

D299,810 S \* 2/1989 Trickett ..... D9/617  
 D302,940 S \* 8/1989 Ferrero ..... D9/613  
 D319,271 S \* 8/1991 Senitt ..... D30/118  
 D348,171 S \* 6/1994 Keller ..... D6/601  
 D355,077 S \* 2/1995 Tegner ..... D30/118  
 5,634,223 A \* 6/1997 Obermaier ..... A47C 9/002  
 297/452.41  
 D388,327 S \* 12/1997 Radosevich ..... D9/435  
 D392,886 S \* 3/1998 Yanes ..... D9/436  
 D422,502 S \* 4/2000 Keller ..... D9/451  
 D427,791 S \* 7/2000 Peterson ..... D6/349  
 6,406,098 B1 \* 6/2002 Linder ..... A47C 3/16  
 220/592.2  
 D466,886 S \* 12/2002 Crane ..... D14/207  
 D510,524 S \* 10/2005 Houk ..... D9/503  
 D553,414 S \* 10/2007 Boutin ..... D6/601  
 7,334,285 B1 \* 2/2008 Morad ..... A46B 7/04  
 15/118  
 D603,698 S \* 11/2009 VerWeyst ..... D9/500  
 D603,702 S \* 11/2009 Daggett ..... D9/449  
 D626,147 S \* 10/2010 Goddard ..... D14/496  
 D640,545 S \* 6/2011 Gibson ..... D9/428  
 D655,160 S \* 3/2012 Daniel ..... D9/447  
 8,167,777 B2 \* 5/2012 Nichols ..... A63B 22/16  
 482/23  
 D664,840 S \* 8/2012 Jones ..... D9/423  
 D669,354 S \* 10/2012 Davis ..... D9/454  
 D673,409 S \* 1/2013 Kelly ..... D6/601  
 D686,513 S \* 7/2013 Henriksson ..... D9/504  
 8,509,972 B2 \* 8/2013 Shu ..... B63G 8/24  
 446/155  
 D703,537 S \* 4/2014 Vogel ..... D9/500  
 D717,662 S \* 11/2014 Eble ..... D9/613  
 D720,120 S \* 12/2014 Simmonds ..... D2/885  
 D720,220 S \* 12/2014 Bartholdy ..... D9/451  
 D738,139 S \* 9/2015 Lacy ..... D6/611  
 D741,708 S \* 10/2015 Thurin ..... D9/503  
 D761,103 S \* 7/2016 Lebon ..... D9/447  
 D764,727 S \* 8/2016 Coughlan ..... D32/25  
 D790,088 S \* 6/2017 Yeffet ..... D26/22  
 D803,677 S \* 11/2017 Yang ..... D9/503  
 D827,431 S \* 9/2018 Frontany ..... D9/436  
 10,258,160 B2 \* 4/2019 Risdall ..... A47C 3/04  
 D851,985 S \* 6/2019 Mouler ..... D7/392.1  
 D853,240 S \* 7/2019 Steel ..... D9/500  
 D860,779 S \* 9/2019 Sutton ..... D9/420  
 D865,510 S \* 11/2019 Mathias ..... D9/416  
 D867,701 S \* 11/2019 Mi ..... D32/31  
 D872,953 S \* 1/2020 Ebrahimi Afrouzi ..... D32/21  
 D874,441 S \* 2/2020 Crane ..... D14/207  
 D877,432 S \* 3/2020 Hopke ..... D32/31  
 D878,195 S \* 3/2020 Liu ..... D9/420  
 D885,919 S \* 6/2020 Beardsall ..... D9/503

D900,619 S \* 11/2020 Beardsall ..... D9/575  
 D903,961 S \* 12/2020 Li ..... D32/21  
 D904,048 S \* 12/2020 Spark ..... D6/596  
 D907,493 S \* 1/2021 Yoshida ..... D9/454  
 D907,494 S \* 1/2021 Yoshida ..... D9/454  
 D909,128 S \* 2/2021 Hu ..... D7/396.2  
 D911,114 S \* 2/2021 Liao ..... D7/586  
 D917,286 S \* 4/2021 Graux ..... D9/436  
 D919,910 S \* 5/2021 Li ..... D32/21  
 D927,108 S \* 8/2021 Choi ..... D32/21  
 D929,690 S \* 8/2021 Cheng ..... A47L 9/009  
 D32/21  
 D929,863 S \* 9/2021 Demers ..... D9/504  
 D932,718 S \* 10/2021 Yan ..... D32/21  
 D933,319 S \* 10/2021 Lyu ..... D32/21  
 D935,712 S \* 11/2021 Wang ..... D32/21  
 D937,037 S \* 11/2021 Chen ..... D7/392.1  
 D938,116 S \* 12/2021 Yu ..... D32/21  
 D939,955 S \* 1/2022 Jüngst ..... D9/435  
 D940,975 S \* 1/2022 Maniff ..... D32/25  
 D940,976 S \* 1/2022 Maniff ..... D32/25  
 D940,977 S \* 1/2022 Maniff ..... D32/25  
 D942,272 S \* 2/2022 Frankcomb ..... D9/439  
 D943,852 S \* 2/2022 Maniff ..... D32/25  
 D945,098 S \* 3/2022 Hong ..... D32/31  
 D946,222 S \* 3/2022 Lin ..... D32/25  
 D953,162 S \* 5/2022 Bamber ..... D9/451  
 D953,671 S \* 5/2022 Kangkang ..... D32/25  
 2003/0024558 A1 \* 2/2003 Lewis ..... A61H 3/02  
 135/65  
 2006/0054768 A1 \* 3/2006 Sanchez ..... B67D 3/0029  
 248/346.2  
 2006/0070577 A1 \* 4/2006 Foley ..... A01K 1/0353  
 119/28.5  
 2008/0115254 A1 \* 5/2008 Galkov ..... A41D 3/00  
 2/108  
 2008/0197099 A1 \* 8/2008 Pawlick ..... B65D 47/0838  
 215/14  
 2009/0113651 A1 \* 5/2009 Giacolo ..... B25G 3/30  
 15/176.2  
 2010/0097289 A1 \* 4/2010 Onweller ..... H01Q 1/42  
 343/872  
 2015/0289671 A1 \* 10/2015 Schechtman ..... D06Q 1/00  
 112/440  
 2017/0164807 A1 \* 6/2017 Curtis ..... A47L 13/42  
 2020/0375423 A1 \* 12/2020 Maniff ..... A63H 3/003

OTHER PUBLICATIONS

Zulily. Rudolph the Red-Nosed Reindeer Soft Plush Crinkle Activity Book. Publication date unavailable. Visited Dec. 20, 2021. <https://www.zulily.com/p/rudolph-the-red-nosed-reindeer-soft-plush-crinkle-activity-book-5675-98809233.html> (Year: 0).\*

\* cited by examiner

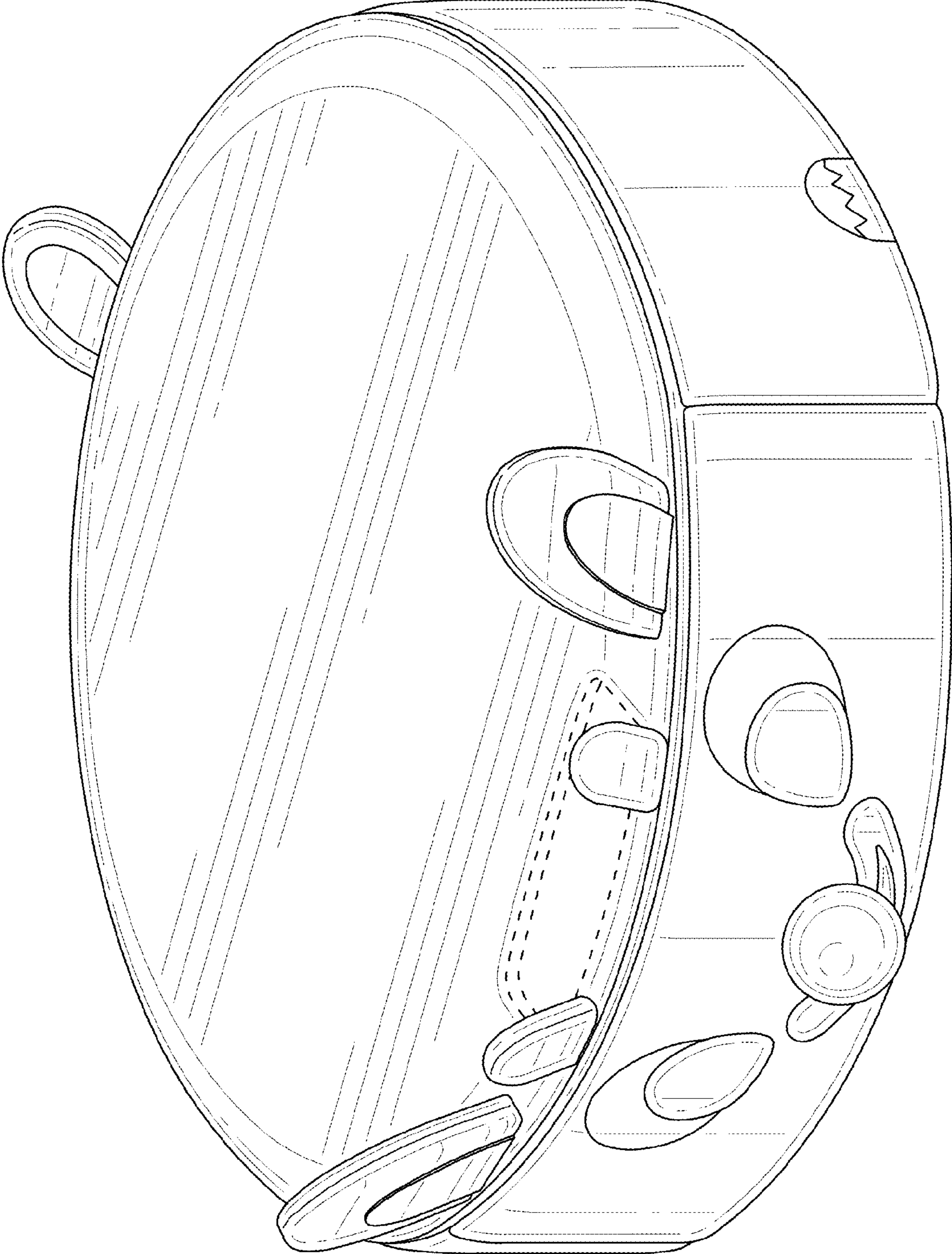


FIG. 1

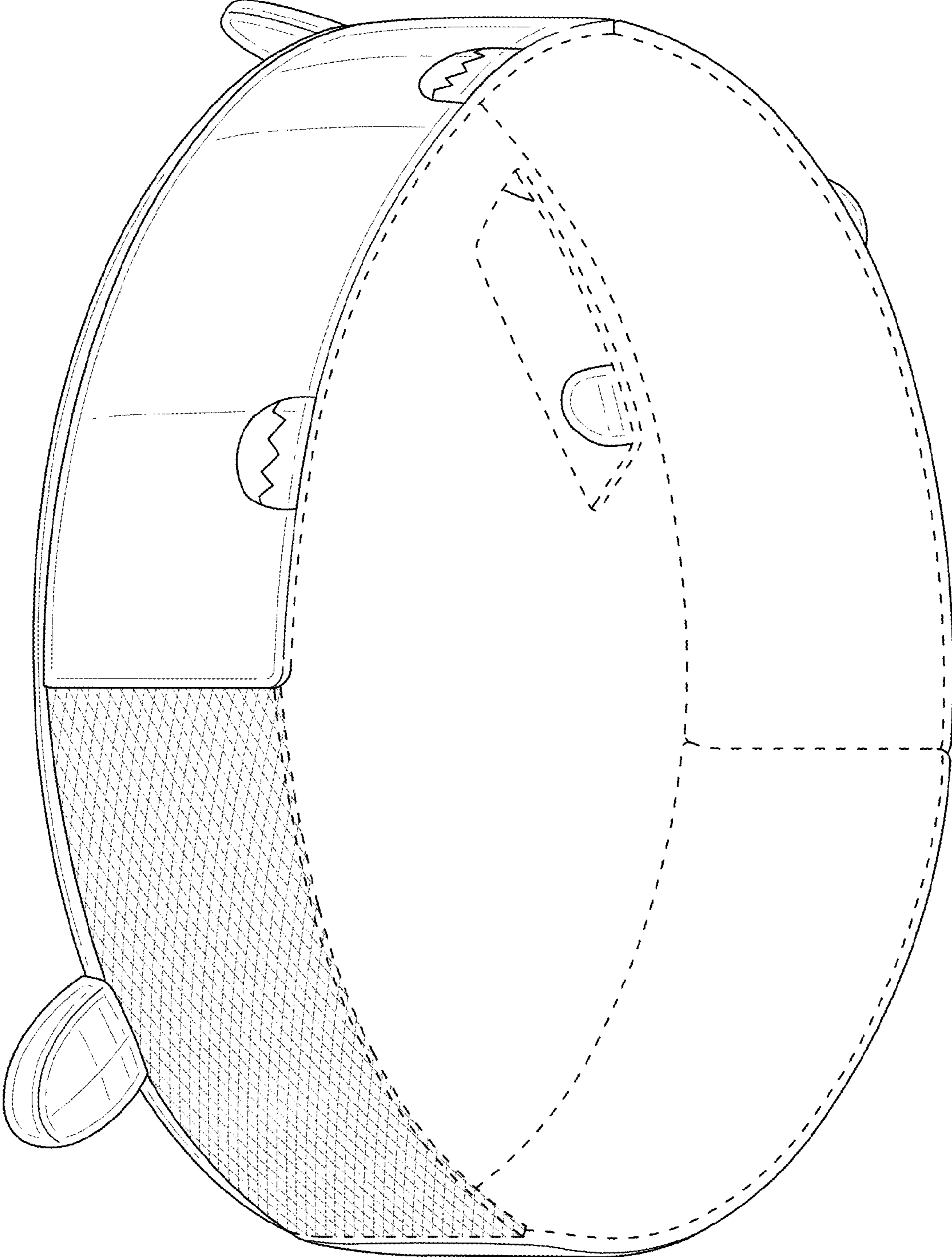


FIG. 2

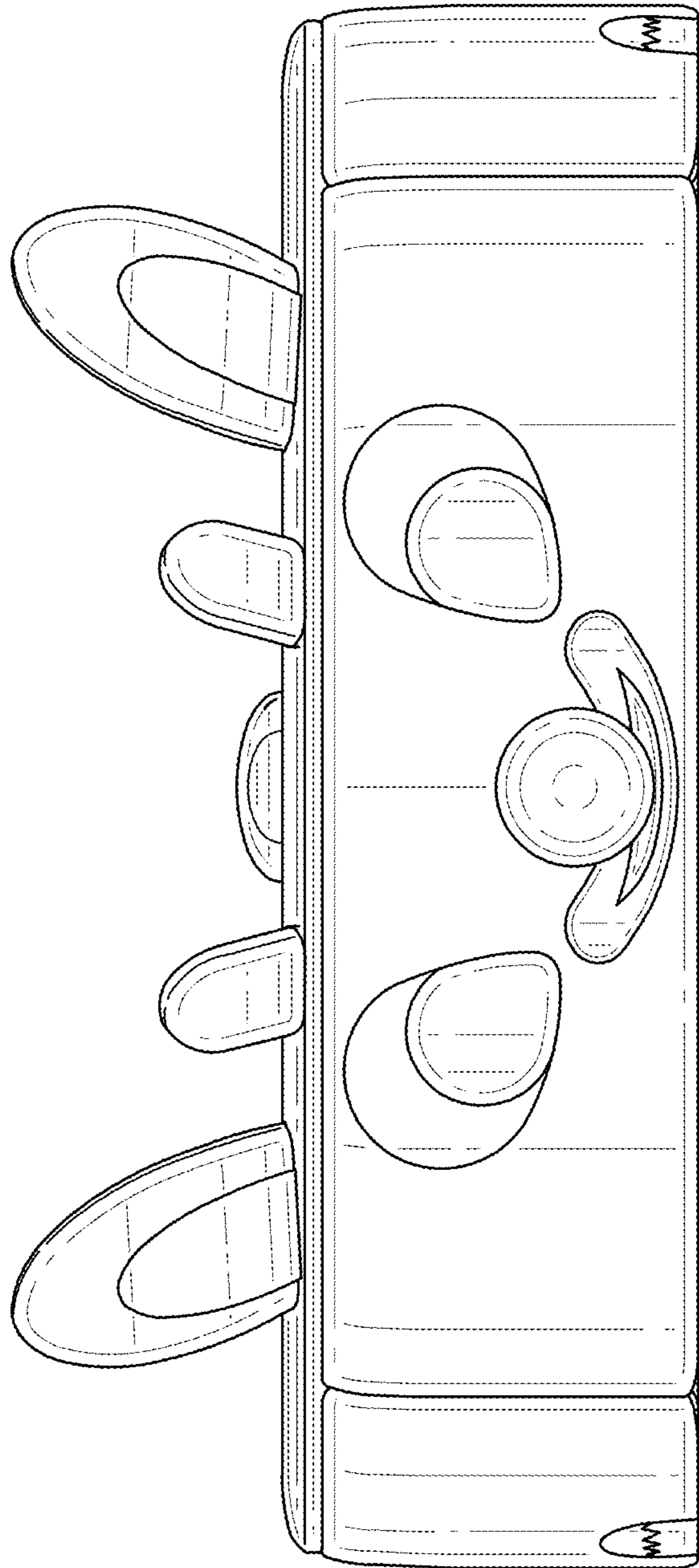


FIG. 3

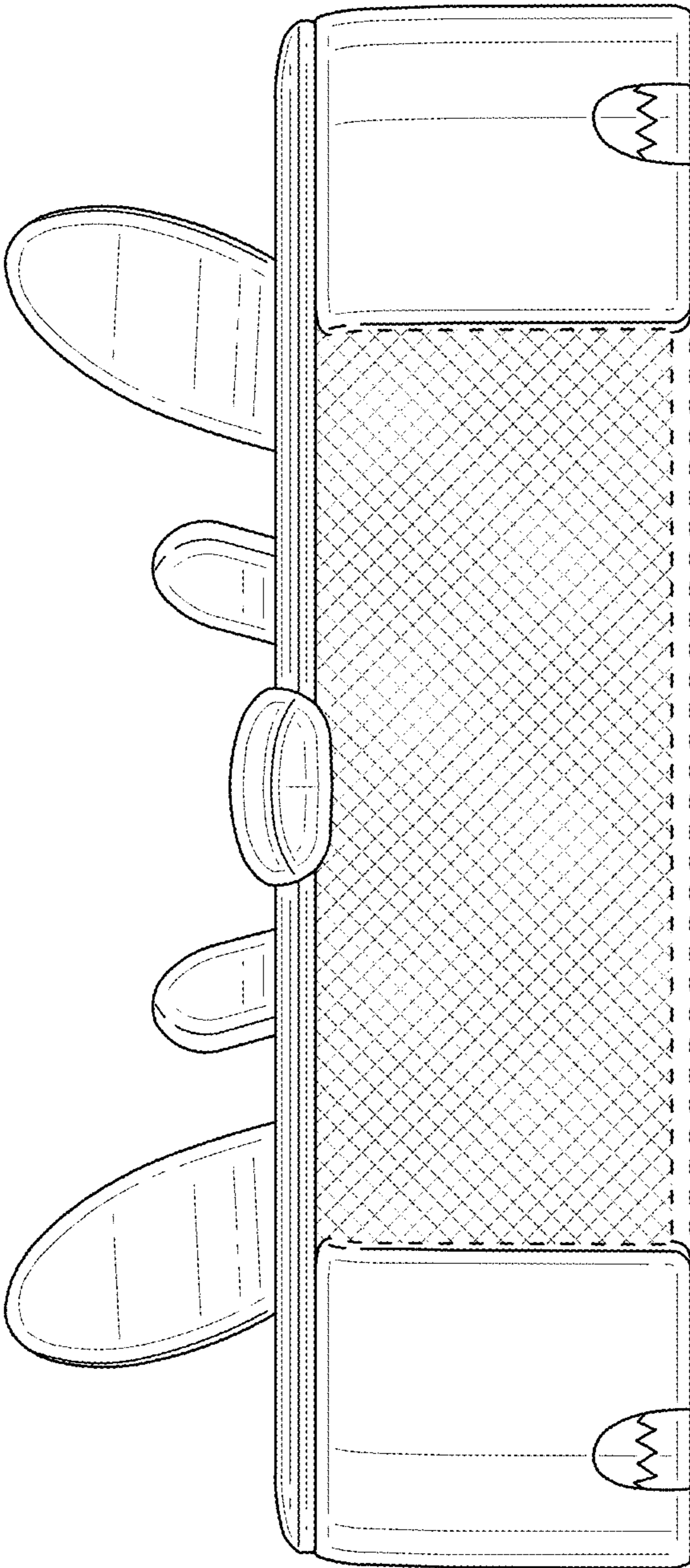


FIG. 4

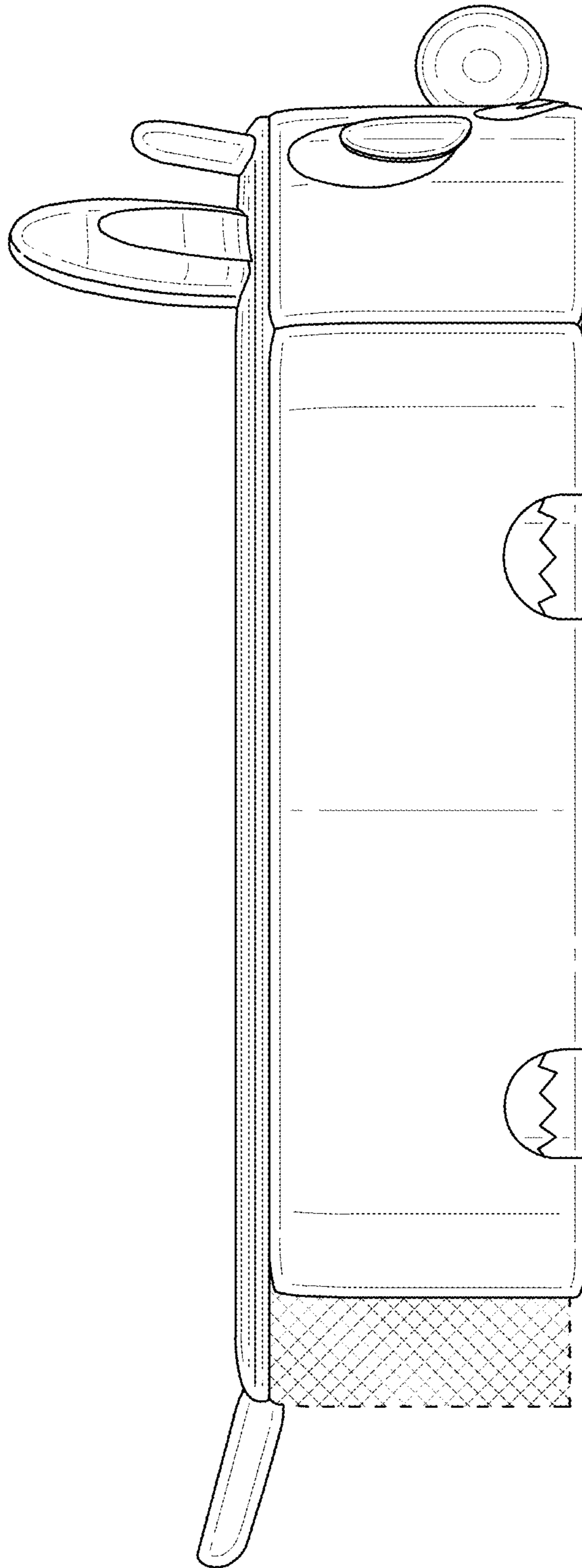


FIG. 5

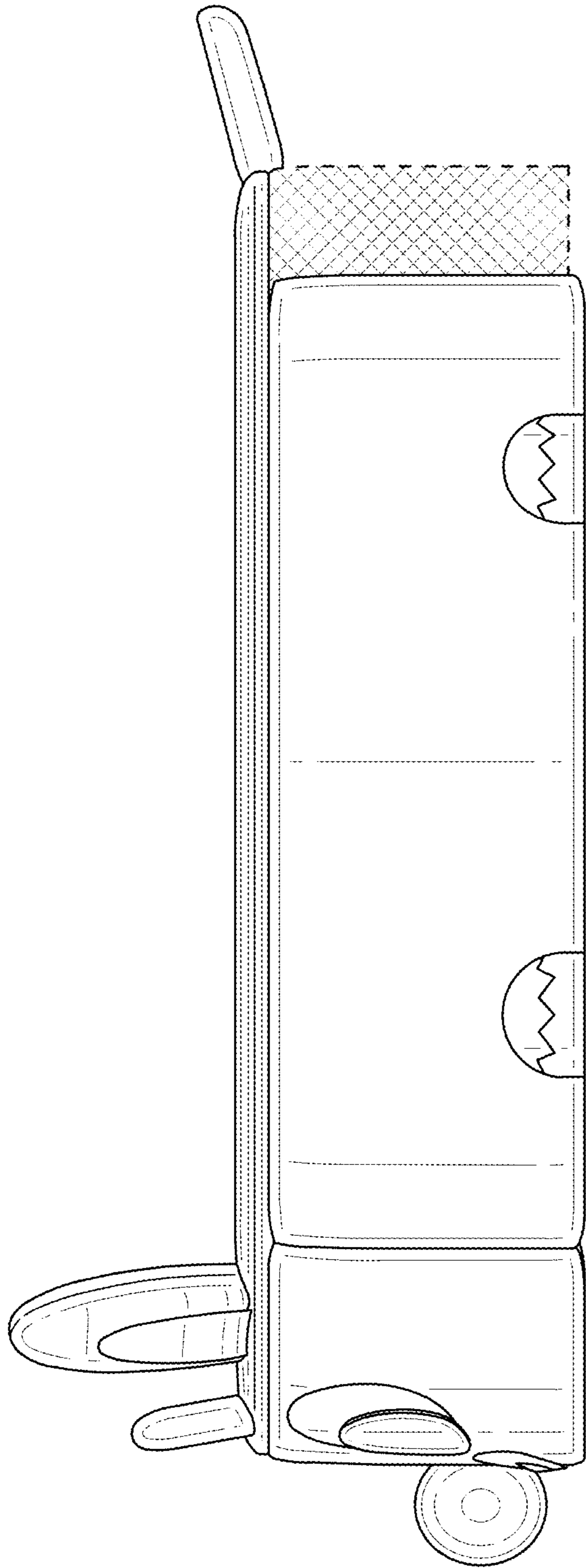


FIG. 6



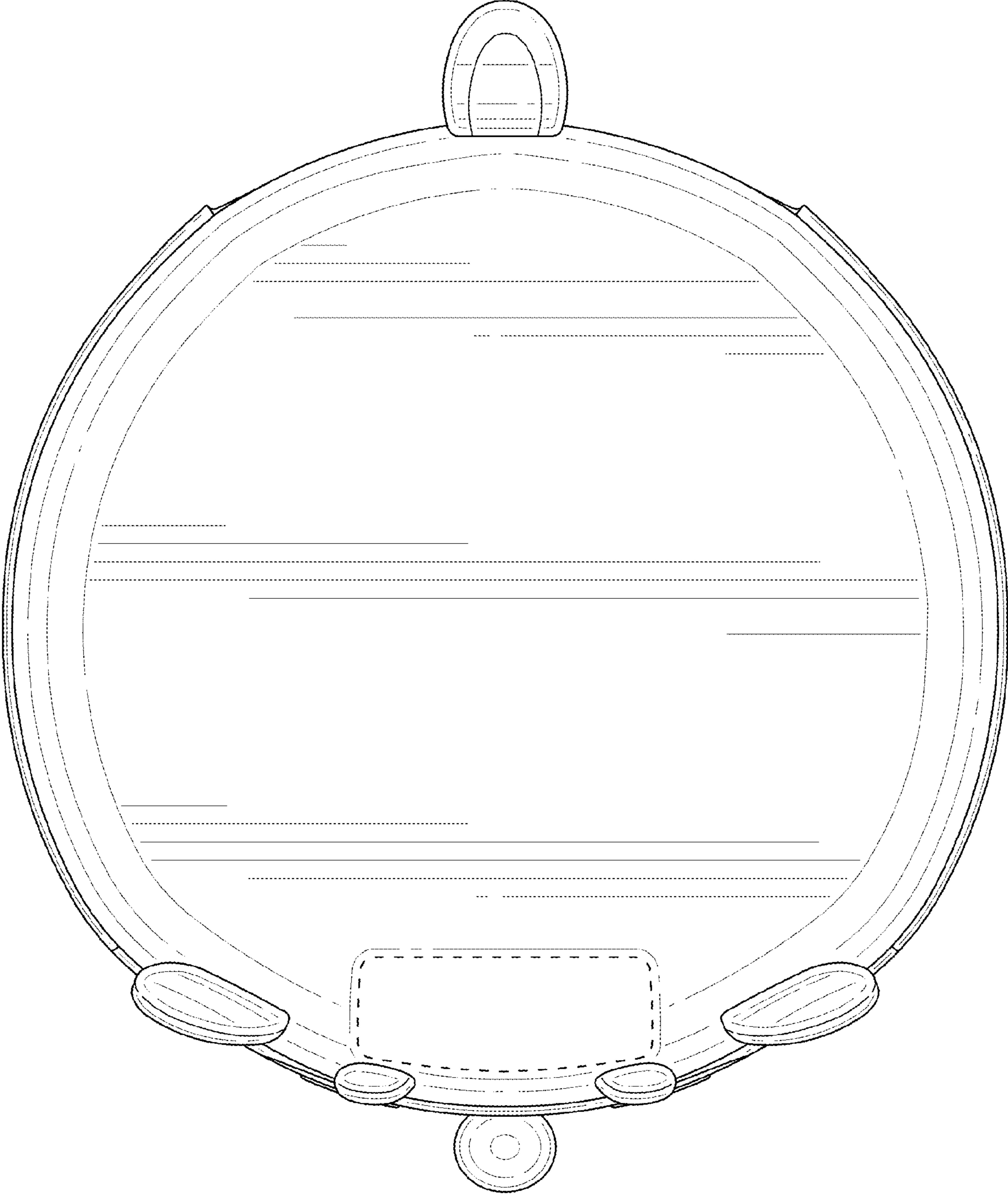


FIG. 7

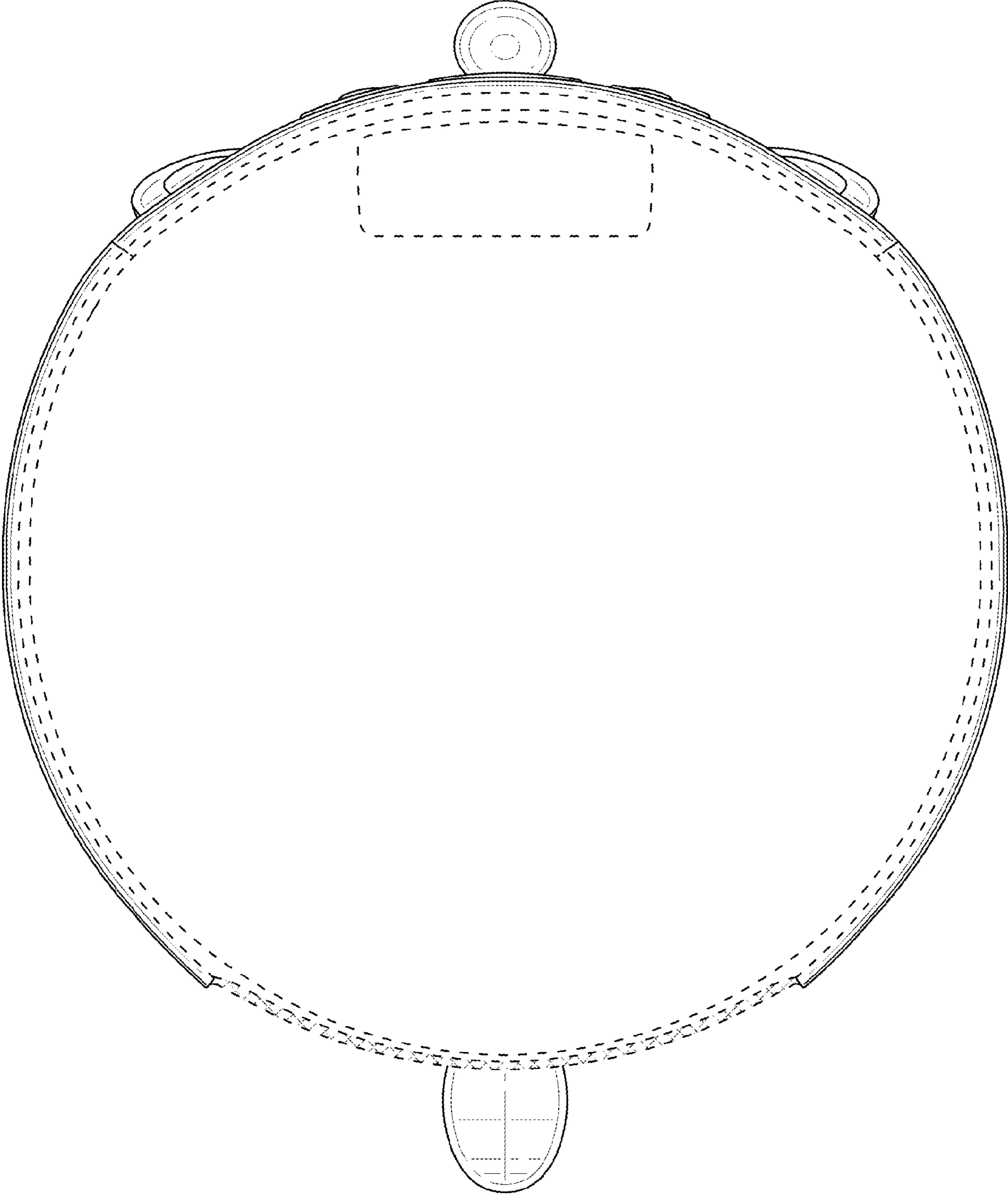


FIG. 8