



US00D968724S

(12) **United States Design Patent**  
**Liu**

(10) **Patent No.:** **US D968,724 S**  
(45) **Date of Patent:** **\*\* Nov. 1, 2022**

- (54) **PET TIE-OUT STAKE**
- (71) Applicant: **SHENZHEN MEI'S TRADING CO., LTD.**, Shenzhen (CN)
- (72) Inventor: **Dingding Liu**, Jiujiang (CN)
- (73) Assignee: **SHENZHEN MEI'S TRADING CO., LTD.**, Shenzhen (CN)
- (\*\*) Term: **15 Years**
- (21) Appl. No.: **29/734,719**
- (22) Filed: **May 14, 2020**
- (51) **LOC (13) Cl.** ..... **30-09**
- (52) **U.S. Cl.**  
USPC ..... **D30/154**
- (58) **Field of Classification Search**  
USPC ..... D30/144, 151, 153, 154, 199; D21/682,  
D21/684, 732, 777, 840; D8/44, 356,  
D8/358; D3/215  
CPC ..... A01K 1/04  
See application file for complete search history.

D679,457 S *	4/2013	Chance	.....	D30/154
D812,318 S *	3/2018	Bowser	.....	D30/154
D904,697 S *	12/2020	Jammal	.....	D30/154
D930,447 S *	9/2021	Labarre	.....	D30/154
2006/0113117 A1 *	6/2006	Tuller	.....	E21B 10/44 175/323

**OTHER PUBLICATIONS**

“Pestairs: 360deg Swivel Tie Out, Justia Trademark Acknowledgement”. Found online Feb. 25, 2022 at amazon.com. Amazon reference: Feb. 16, 2020. Justia: Feb. 12, 2020. Retrieved from <https://www.amazon.com/Pestairs-360%C2%B0-Swivel-Stake-Anchor/dp/B0818N43TY/> and <https://trademarks.justia.com/889/26/pestairs-88926397.html>.\*

“Highland Farms: Select 360deg Swivel Tie Out Stake”. Found online Feb. 25, 2022 at amazon.com. Reference dated May 9, 2020. Retrieved from <https://www.amazon.com/dp/B088D9YHQ4/>.\*

(Continued)

*Primary Examiner* — Kendra Leslie Hamilton  
(74) *Attorney, Agent, or Firm* — Georgi Korobanov

(57) **CLAIM**

The ornamental design for a pet tie-out stake, as shown and described.

**DESCRIPTION**

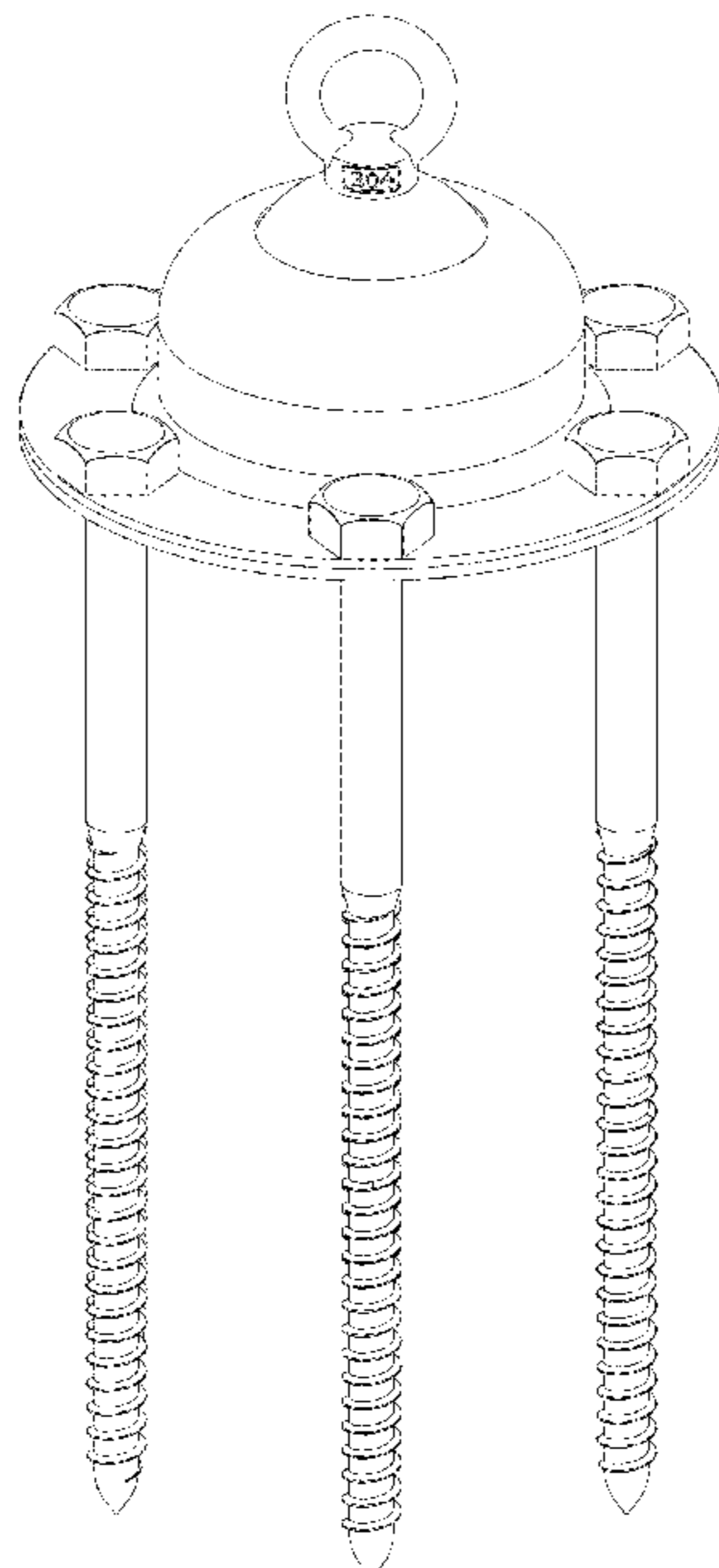
FIG. 1 is a perspective view of a pet tie-out stake showing my new design;  
FIG. 2 is a front elevational view thereof;  
FIG. 3 is a rear elevational view thereof;  
FIG. 4 is a left side elevational view thereof;  
FIG. 5 is a right side elevational view thereof;  
FIG. 6 is a top plan view thereof; and,  
FIG. 7 is a bottom plan view thereof.  
The broken lines in the drawings depict portions of the pet tie-out stake that form no part of the claimed design.

**1 Claim, 7 Drawing Sheets**

(56) **References Cited**

**U.S. PATENT DOCUMENTS**

2,087,176 A *	7/1937	Webb	.....	A01K 1/04 119/787
D256,553 S *	8/1980	Fayle	.....	D8/387
D351,692 S *	10/1994	Cossey	.....	D30/154
D363,616 S *	10/1995	Allen	.....	D8/354
5,785,007 A *	7/1998	Sauber	.....	A01K 1/04 119/788
5,870,974 A *	2/1999	Johnson	.....	A01K 1/04 119/786
5,927,677 A *	7/1999	Speece	.....	E04H 12/2215 52/165
D632,442 S *	2/2011	Beck	.....	D30/154



(56)

**References Cited**

OTHER PUBLICATIONS

“Beewarm: Swivel 360deg Dog Tie Out Stake”. Found online Feb. 25, 2022 at amazon.com. Reference dated Jul. 1, 2020. Retrieved from <https://www.amazon.com/Beewarm-Outdoor-Tethers-Outdoors-Retractable/dp/B08C4ZMJ2K?th=1>.\*

“Earth Anchor: Penetrator Aluminum Screw”. Found online Feb. 25, 2022 at amazon.com. Reference dated Mar. 1, 2016. Retrieved from <https://www.amazon.com/Penetrator-Aluminum-Screw-Anchor-Holds-500lbs/dp/B01BJXJE2G/>.\*

\* cited by examiner

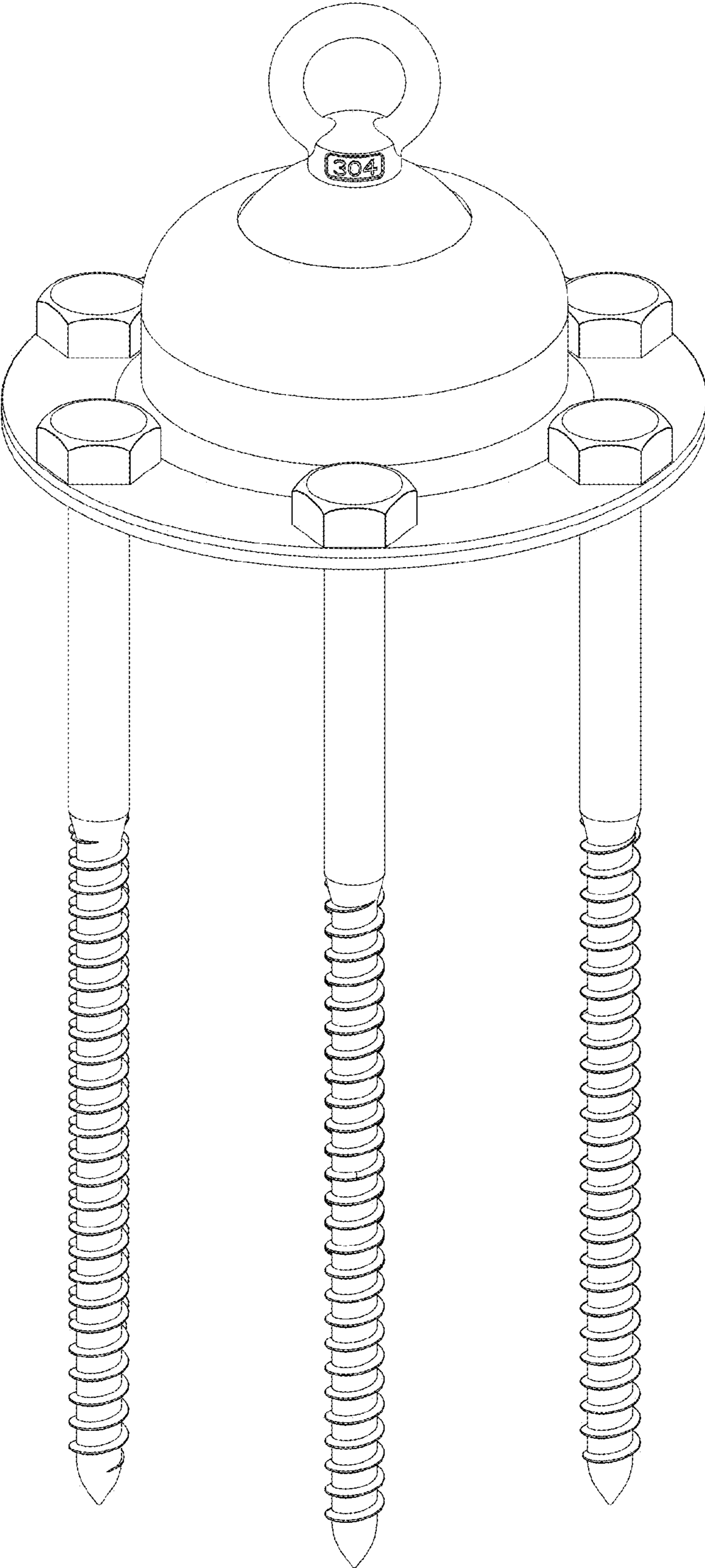


FIG. 1

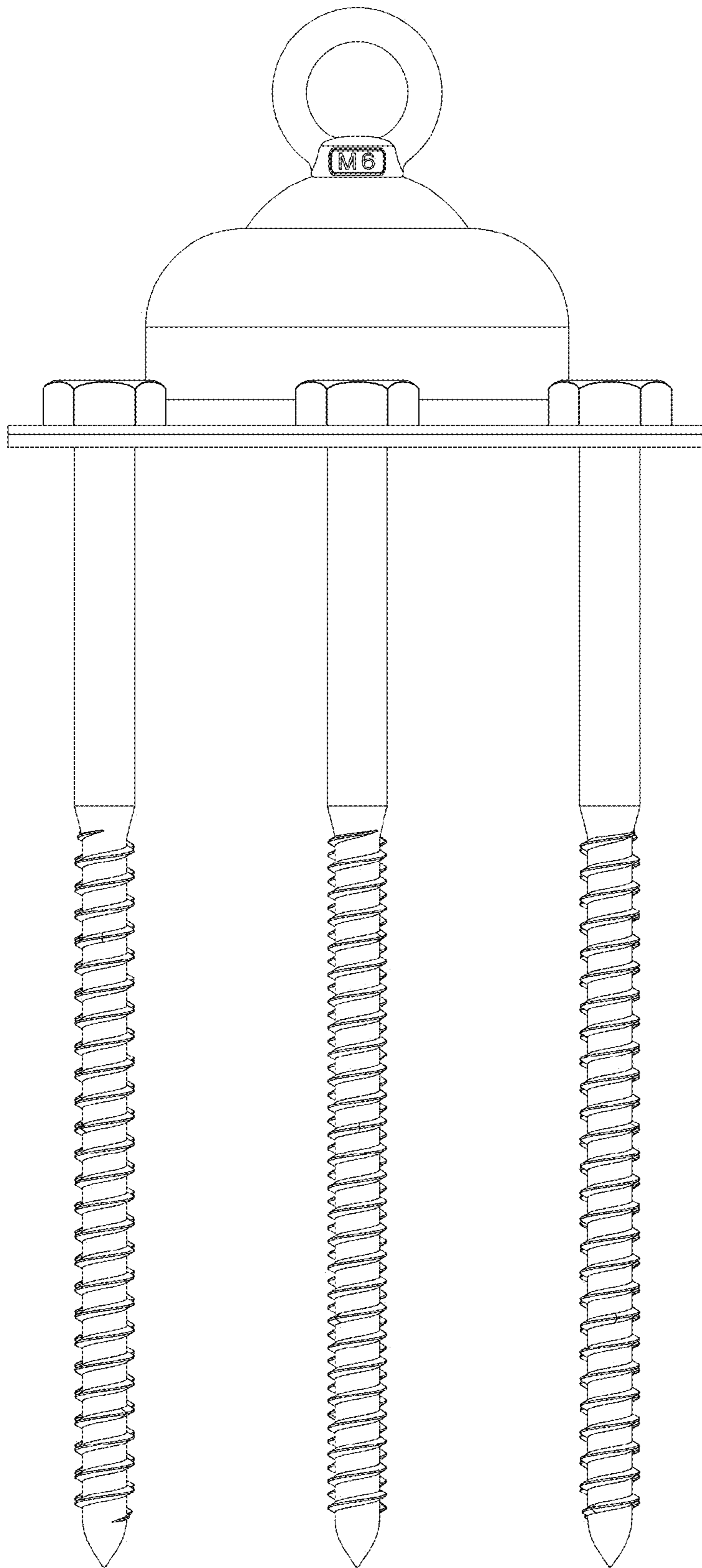


FIG. 2

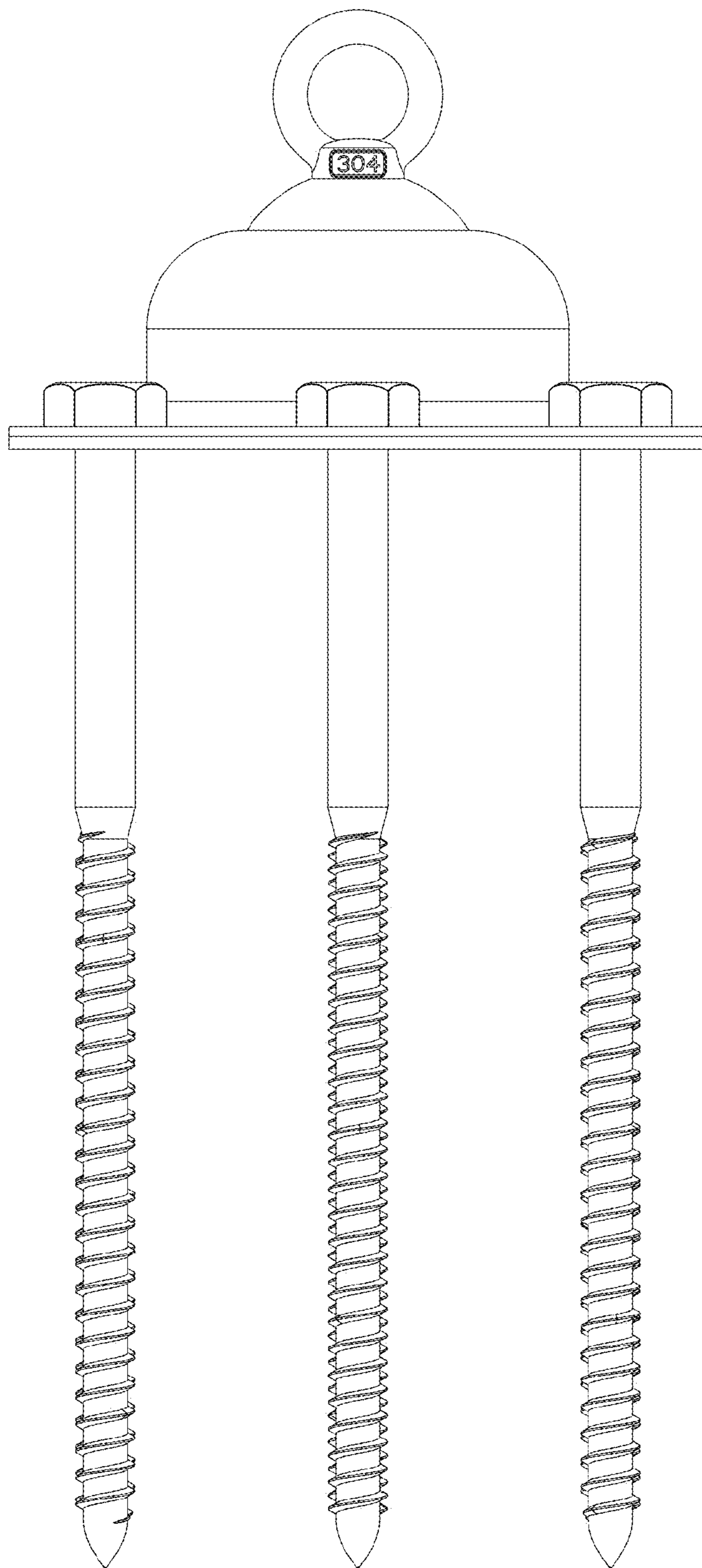


FIG. 3

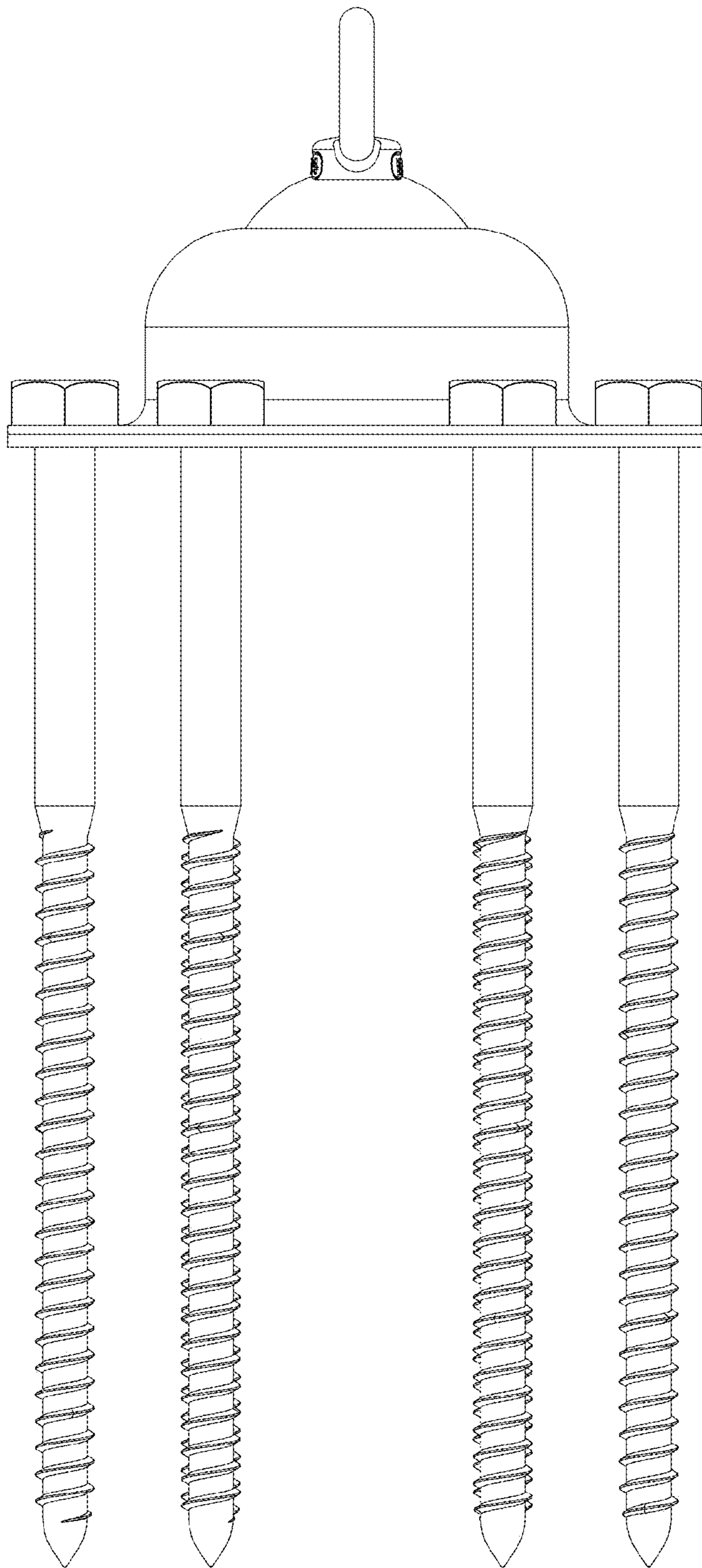


FIG. 4

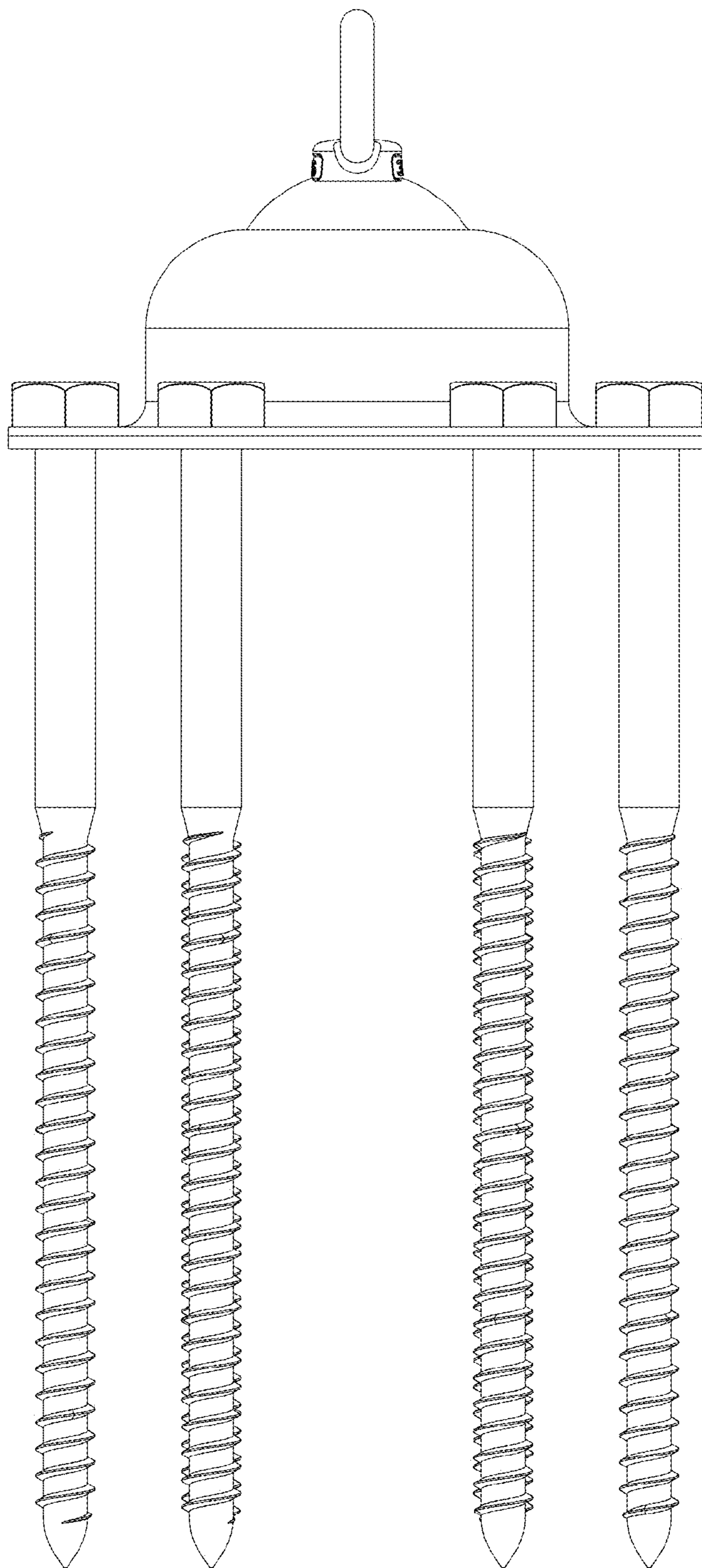


FIG. 5

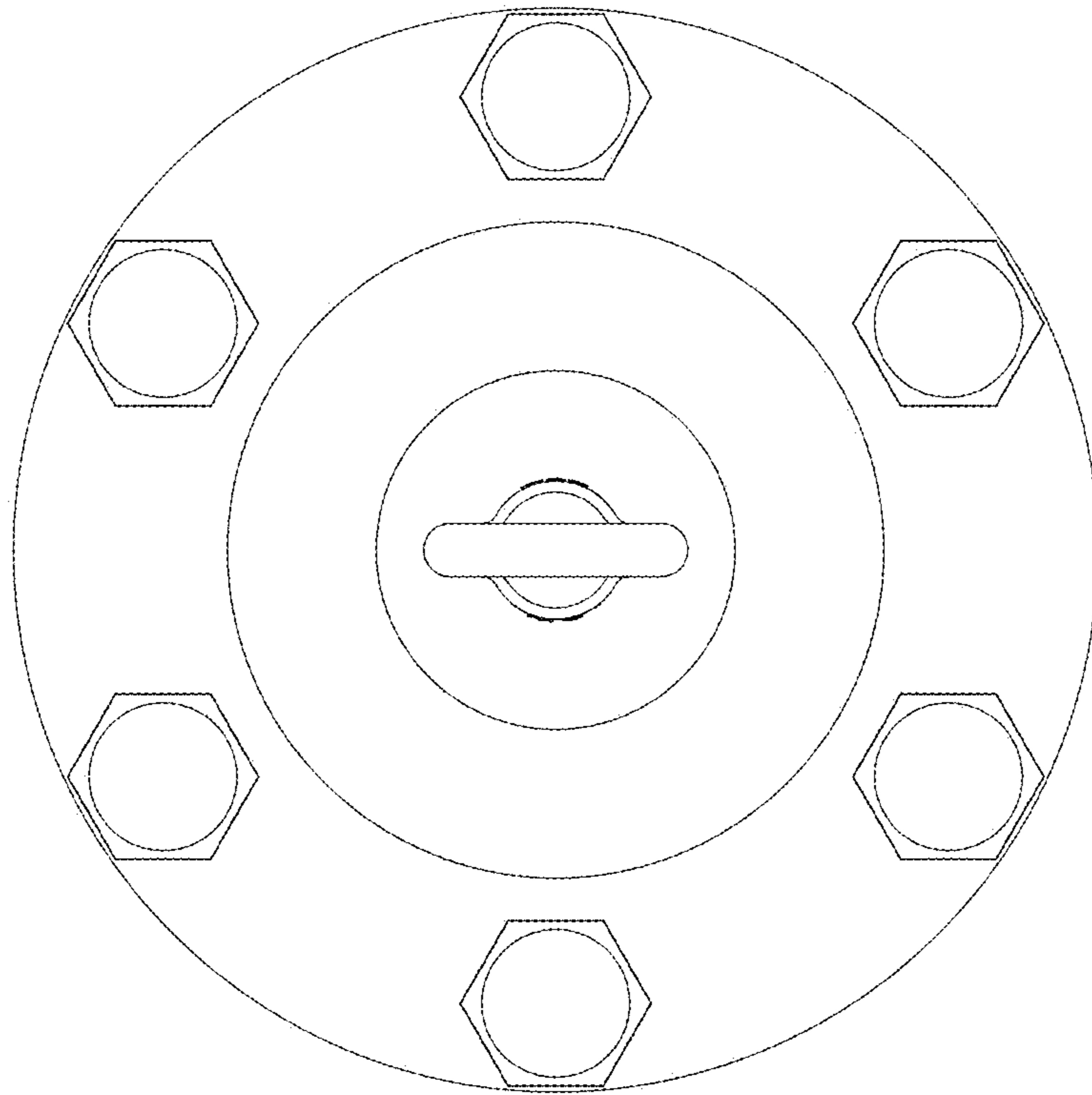


FIG. 6



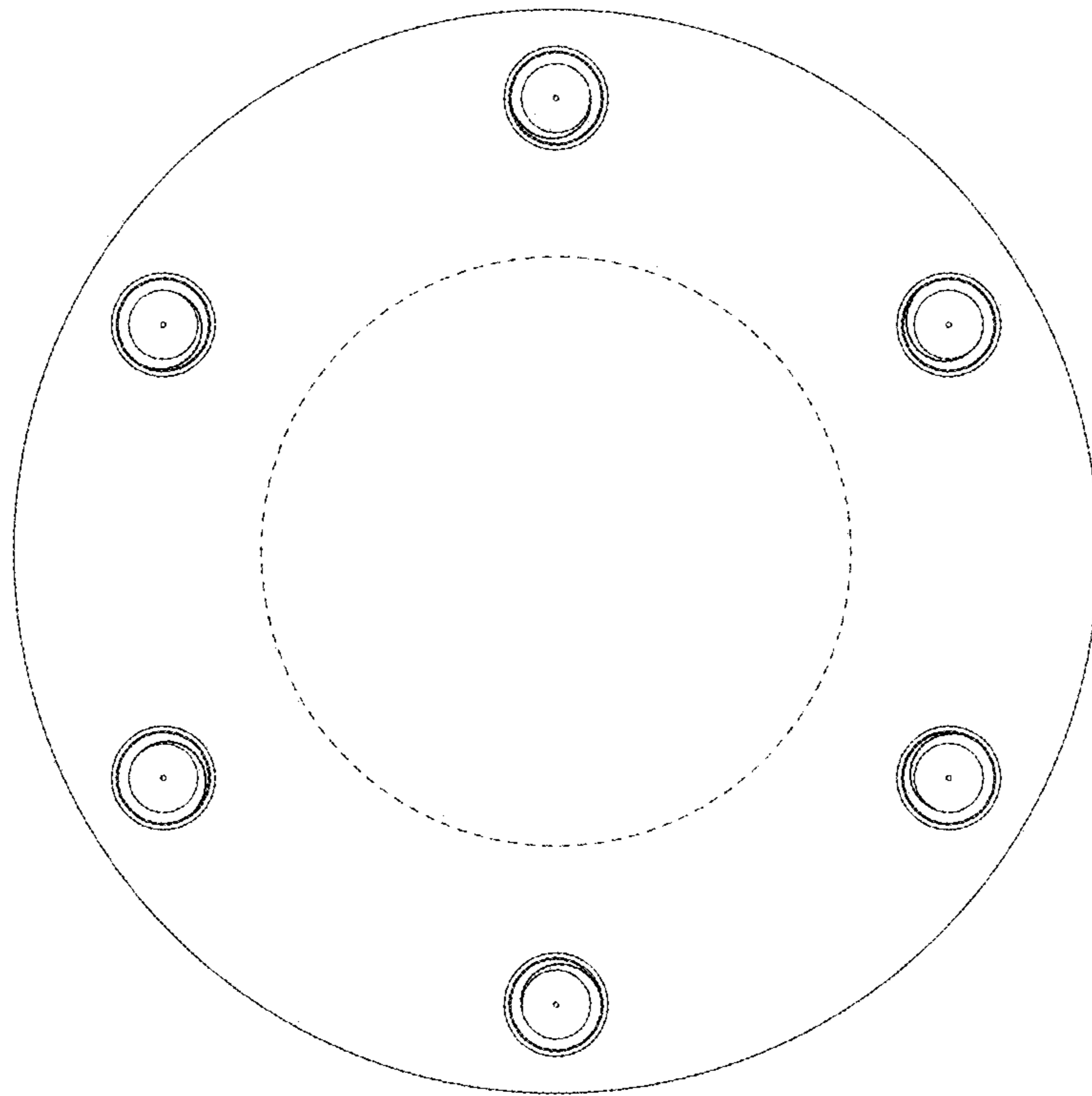


FIG. 7