



US00D968720S

(12) **United States Design Patent**  
**Rosencrans**

(10) **Patent No.:** **US D968,720 S**  
(45) **Date of Patent:** **\*\* Nov. 1, 2022**

(54) **COMBINED DOG HARNESS AND POUCH**  
(71) Applicant: **Steven R. Rosencrans**, Sioux Falls, SD  
(US)  
(72) Inventor: **Steven R. Rosencrans**, Sioux Falls, SD  
(US)

D685,534 S \* 7/2013 Selayandia, III ..... D30/152  
D736,482 S \* 8/2015 Lapresca ..... D30/152  
D739,985 S \* 9/2015 Mantelli ..... D30/153  
D771,323 S \* 11/2016 Whitefield ..... D30/153  
9,861,078 B1 \* 1/2018 Mantelli ..... A01K 27/008  
D833,089 S \* 11/2018 Stanek ..... D30/152  
D893,811 S \* 8/2020 Wu ..... D30/152

(Continued)

(\*\*) Term: **15 Years**

**FOREIGN PATENT DOCUMENTS**

(21) Appl. No.: **29/788,128**

JP D1409368 \* 3/2011

(22) Filed: **Mar. 24, 2021**

**OTHER PUBLICATIONS**

(51) **LOC (13) Cl.** ..... **30-04**

(52) **U.S. Cl.**  
USPC ..... **D30/152**

(58) **Field of Classification Search**  
USPC ..... D30/145, 152, 153  
CPC ..... A01K 25/00; A01K 27/00; A01K 27/001;  
A01K 27/002; A01K 27/003; A01K  
27/004; A01K 27/005  
See application file for complete search history.

Verypurpleperson\_Dog saddle bag, available in verypurpleperson.com, announced Apr. 23, 2013 [online], [site visited Jun. 13, 2022], Internet URL: verypurpleperson.com/2013/04/dog-saddle-bag/ (Year: 2013).\*

(Continued)

*Primary Examiner* — Jennifer L Rempfer  
*Assistant Examiner* — Elizabeth Anne Glassberg

(56) **References Cited**

(57) **CLAIM**

**U.S. PATENT DOCUMENTS**

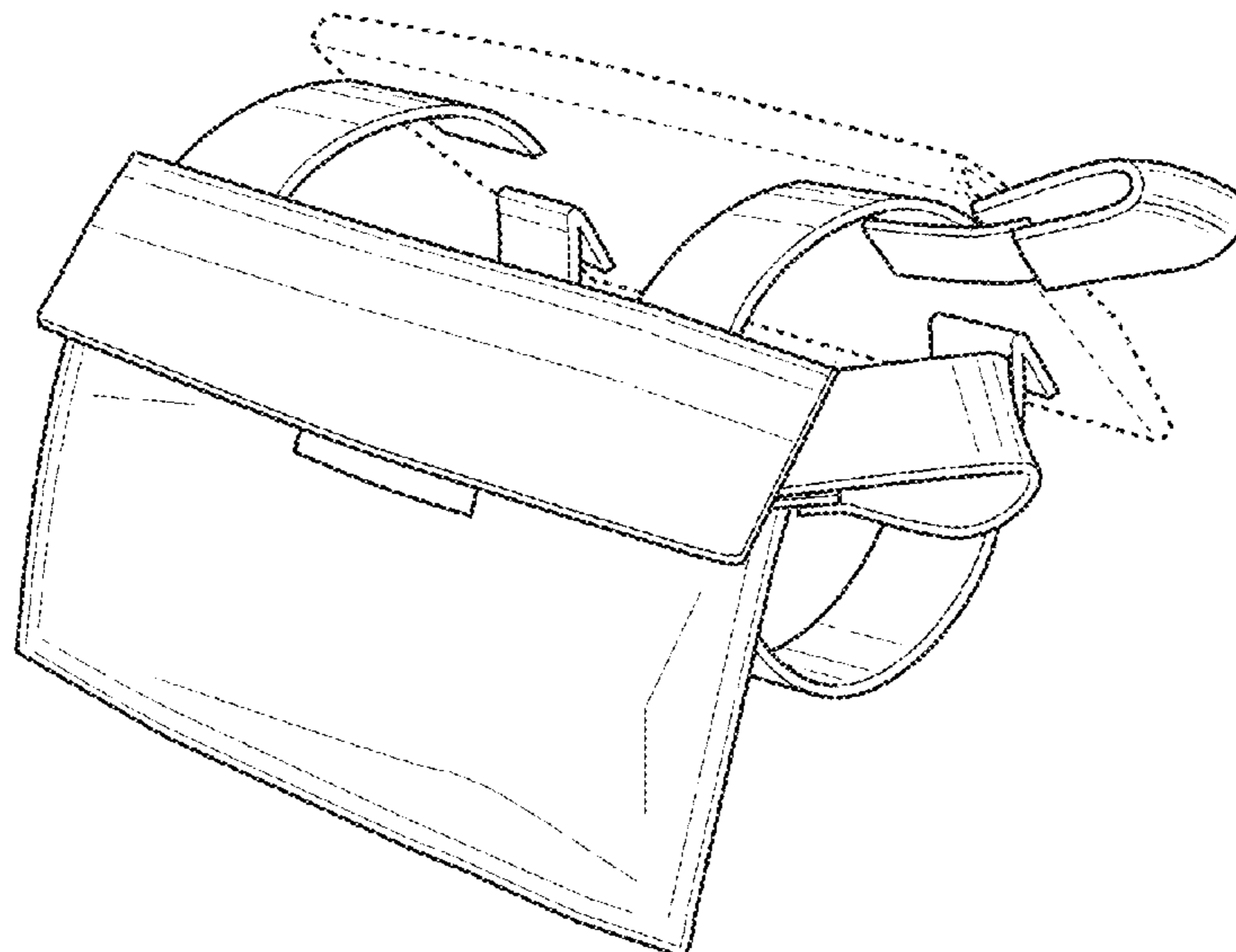
The ornamental design for a combined dog harness and pouch, as shown and described.

D292,847 S \* 11/1987 Barker ..... D3/268  
D313,677 S \* 1/1991 Hammon ..... D30/152  
5,560,321 A \* 10/1996 Hess ..... A01K 27/006  
119/858  
D383,255 S \* 9/1997 Caditz ..... D30/145  
D401,056 S \* 11/1998 Akutsu ..... D3/231  
5,887,772 A \* 3/1999 Dooley ..... A01K 27/008  
119/858  
D429,390 S \* 8/2000 Grady ..... D30/152  
D429,391 S \* 8/2000 Grady ..... D30/152  
D457,988 S \* 5/2002 Kerrigan ..... D30/145  
D480,843 S \* 10/2003 Sullivan ..... A01K 27/008  
D30/152  
D585,606 S \* 1/2009 Kennedy ..... D30/152  
D611,663 S \* 3/2010 Bergschneider ..... D30/152  
7,918,192 B1 \* 4/2011 Digh ..... A01K 27/006  
119/850  
D653,411 S \* 1/2012 Elliott ..... D30/152

**DESCRIPTION**

FIG. 1 is a perspective view of a combined dog harness and pouch, showing my new design;  
FIG. 2 is a front elevation view thereof;  
FIG. 3 is a rear elevation view thereof;  
FIG. 4 is a right side elevation view thereof;  
FIG. 5 is a left side elevation view thereof;  
FIG. 6 is a top plan view thereof; and,  
FIG. 7 is a bottom plan view thereof.  
The broken lines shown in the drawings depict portions of the combined dog harness and pouch that form no part of the claimed design.

**1 Claim, 4 Drawing Sheets**



(56)

**References Cited**

U.S. PATENT DOCUMENTS

D909,748 S \* 2/2021 Melton-Falcon ..... D3/215  
D938,105 S \* 12/2021 Metz ..... D30/153  
2003/0079695 A1\* 5/2003 Kerrigan ..... A01K 27/006  
119/858  
2005/0072376 A1\* 4/2005 Kerrigan ..... A01K 13/006  
119/850  
2018/0160651 A1\* 6/2018 Holt ..... A01K 27/008

OTHER PUBLICATIONS

How to fit a Dog Pack-EzyDog Convert Saddle Bags, announced in YouTube on Jan. 30, 2016 [online], [site visited Jun. 13, 2022], Available from the internet URL: <https://www.youtube.com/watch?v=sAXdy2Jt7tU> (Year: 2016).\*

\* cited by examiner

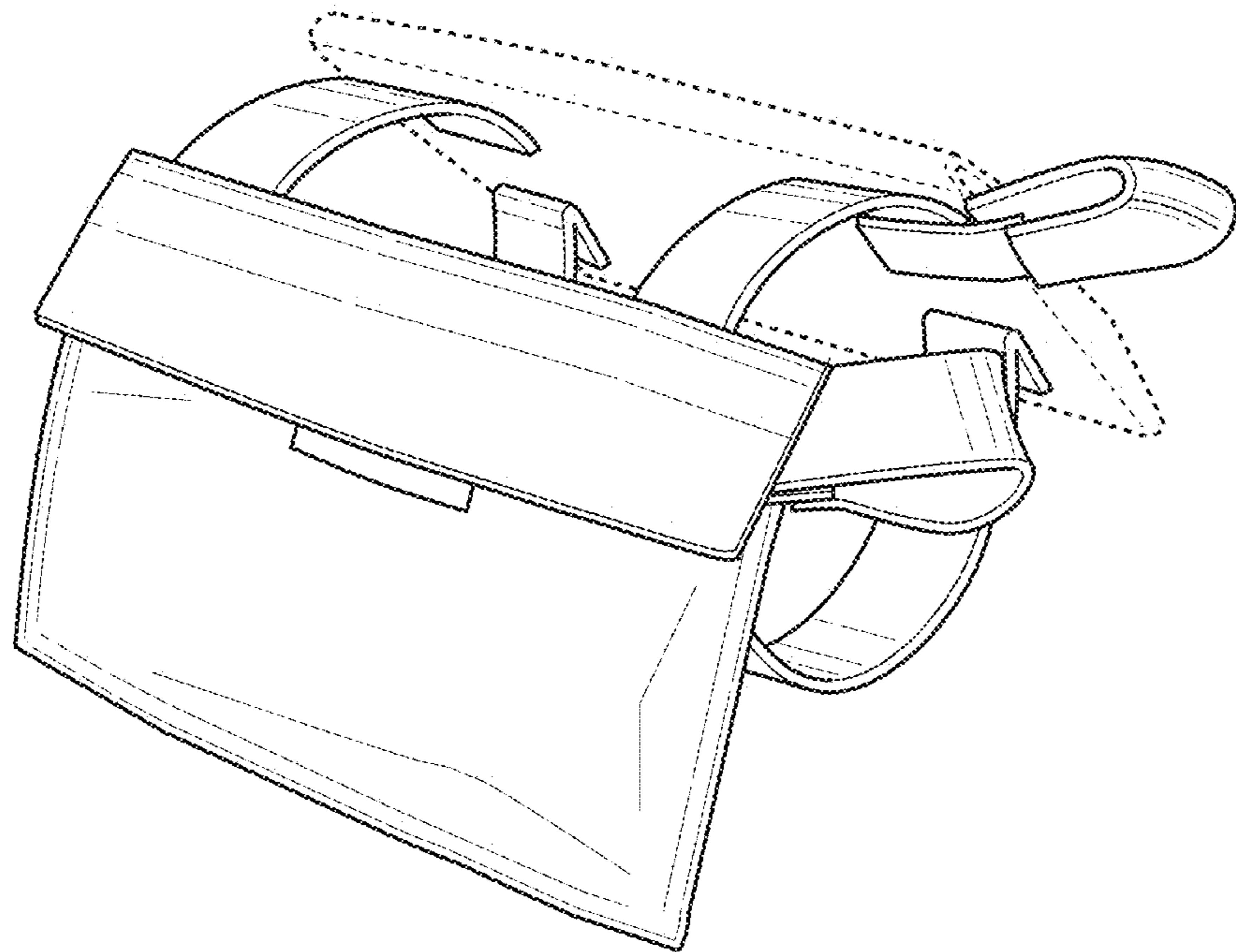


FIG. 1

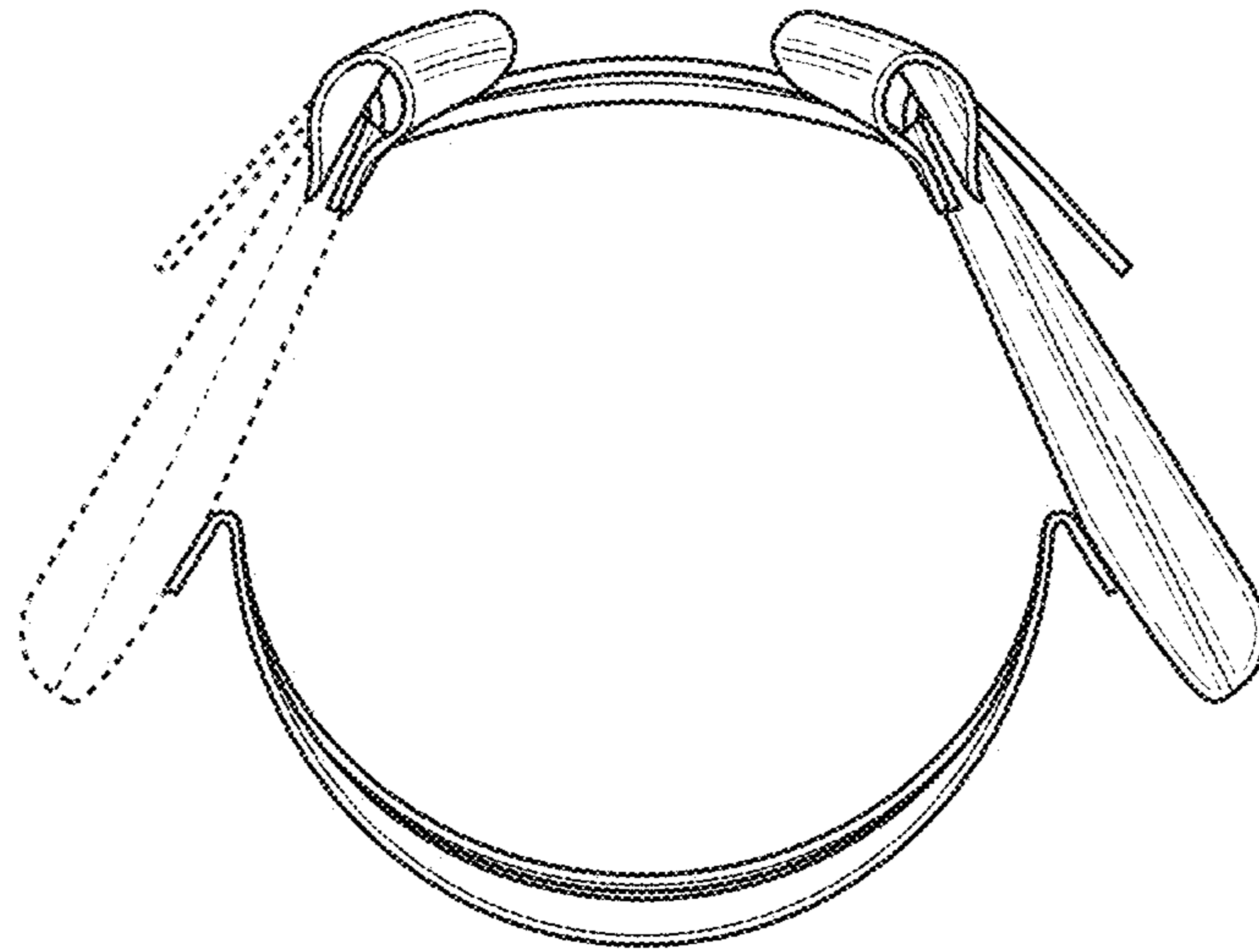


FIG. 2

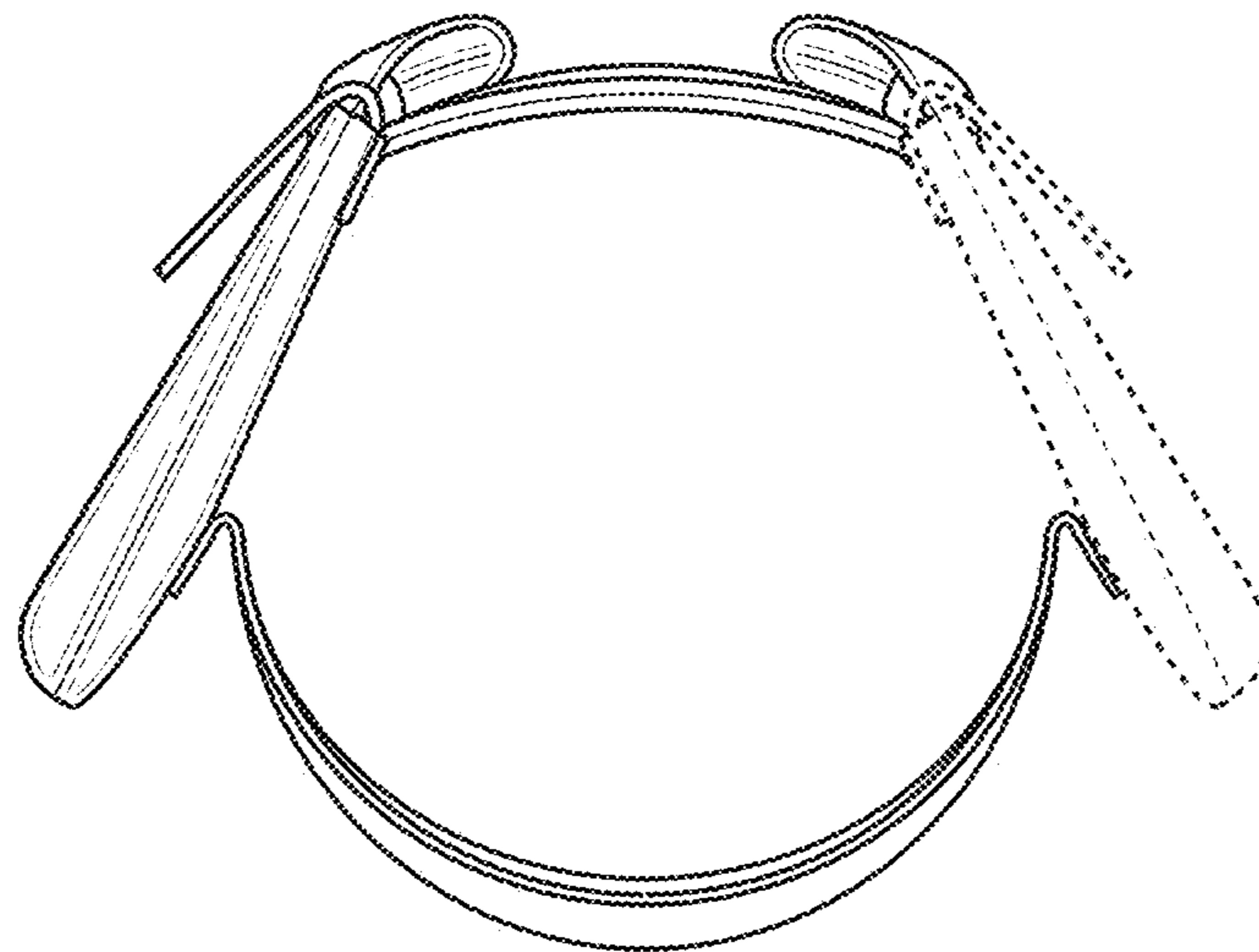


FIG. 3

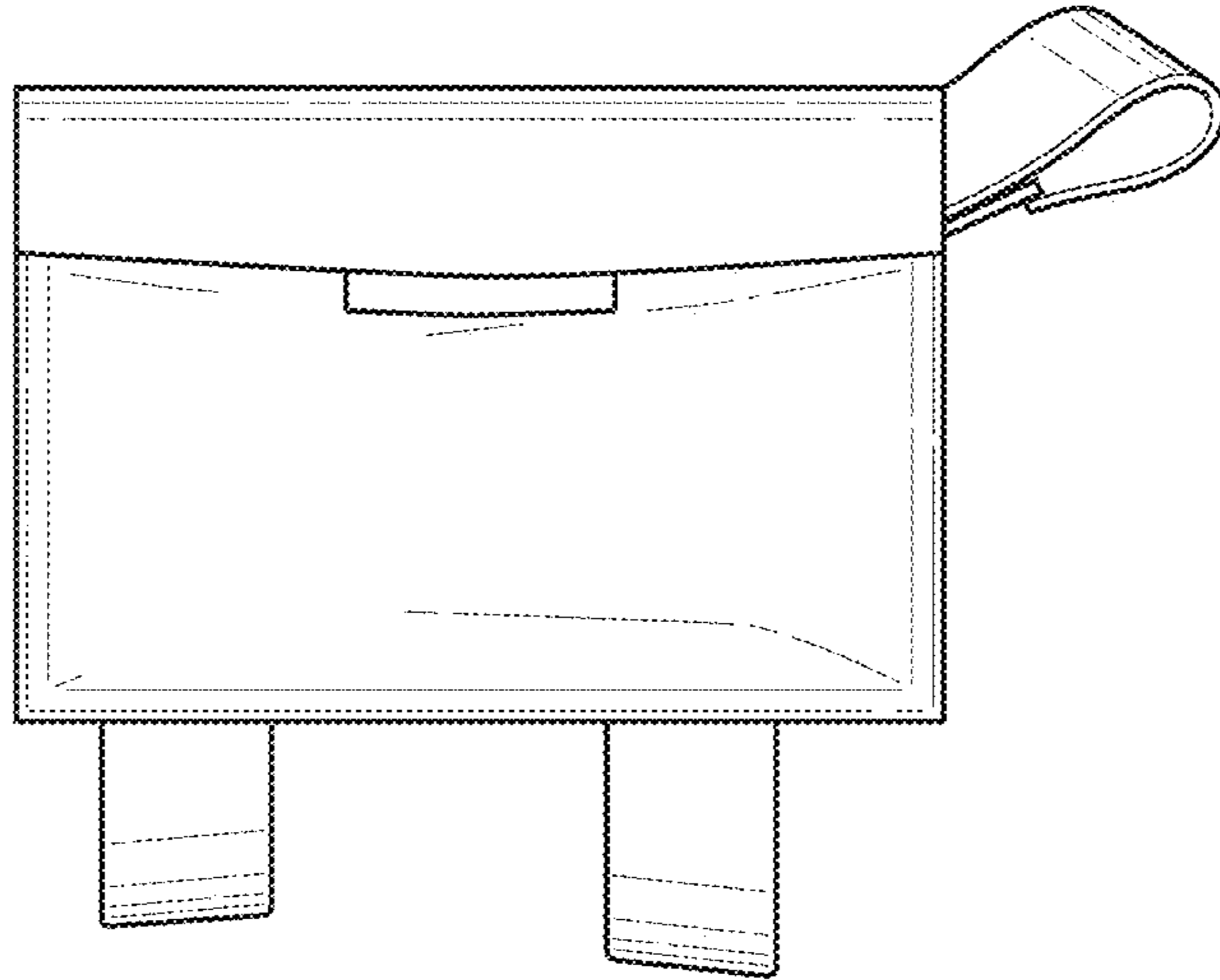


FIG. 4

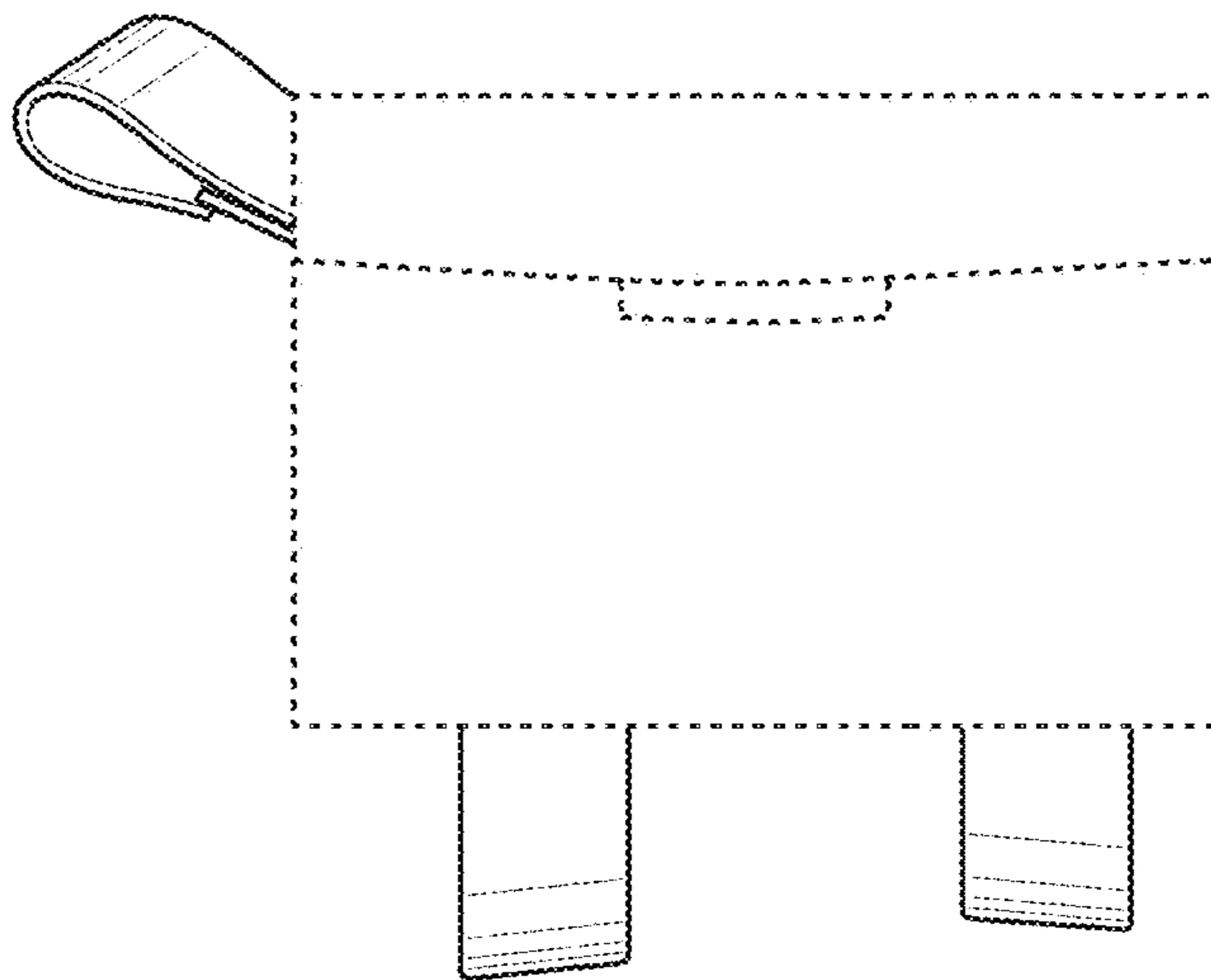


FIG. 5

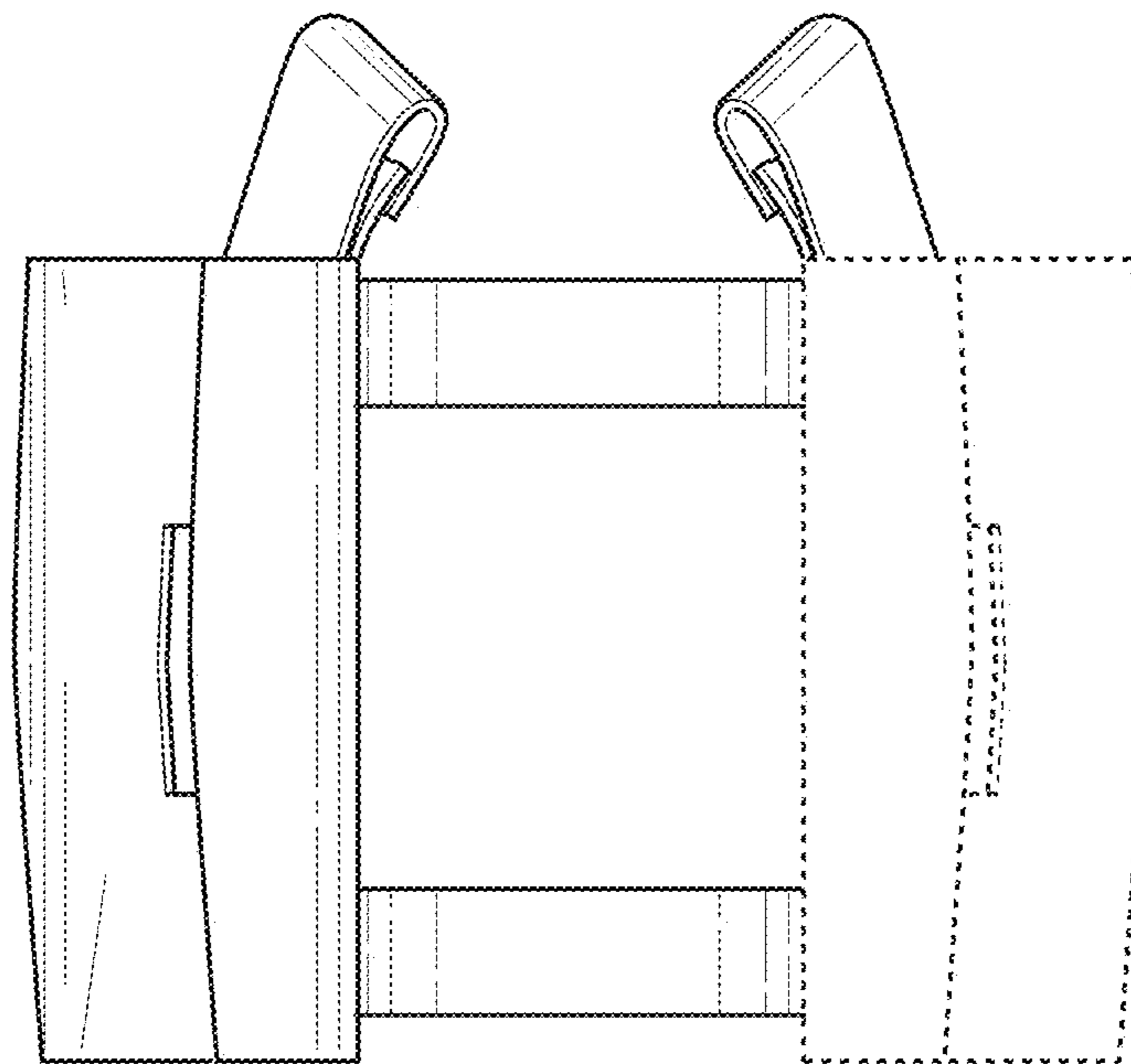


FIG. 6

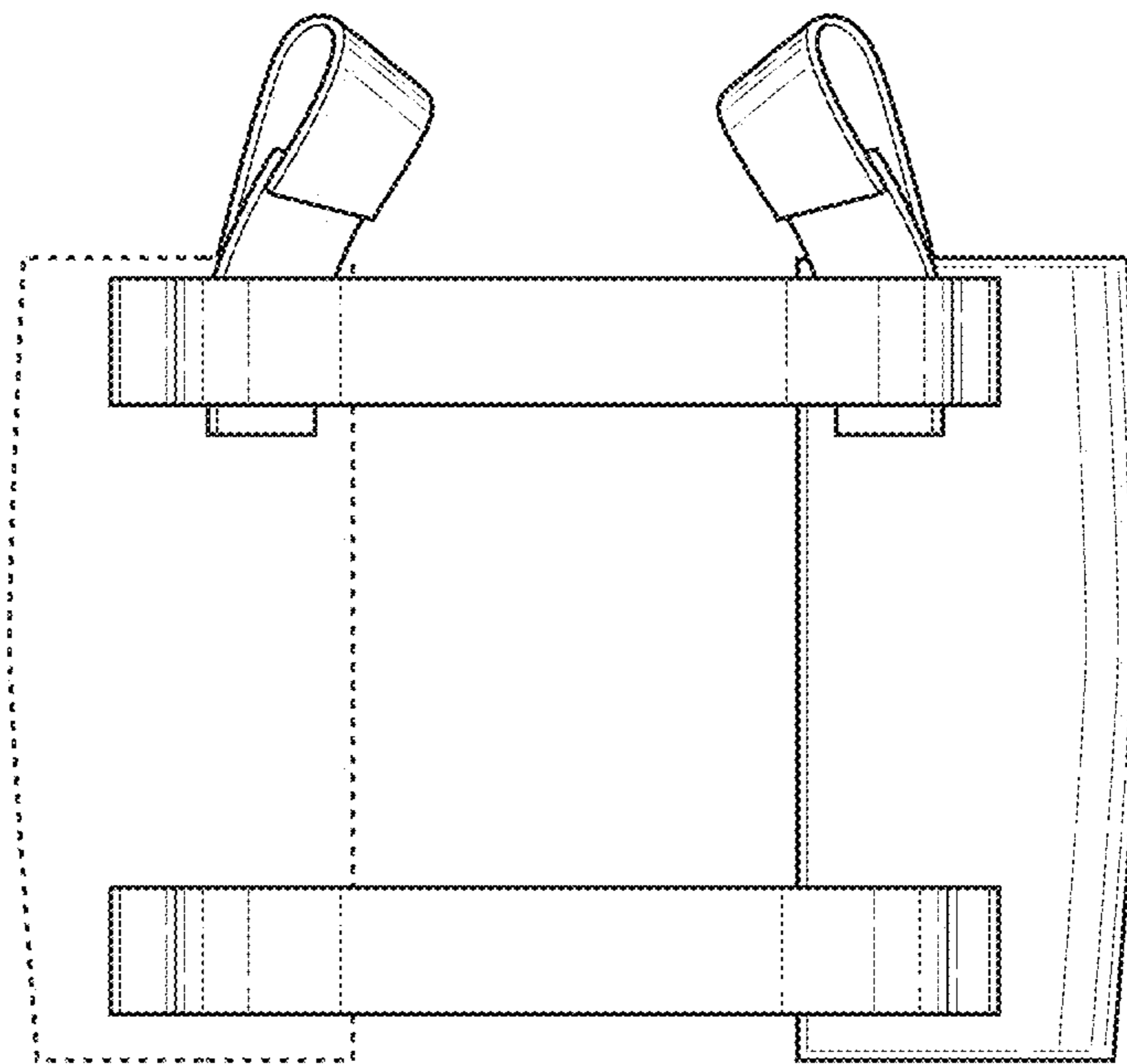


FIG. 7