



US00D968719S

(12) **United States Design Patent** (10) **Patent No.:** **US D968,719 S**
Xu (45) **Date of Patent:** **** Nov. 1, 2022**

(54) **COMBINED PET DIAPER AND PET LEASH**

FOREIGN PATENT DOCUMENTS

(71) Applicant: **XIAMEN YESITO TECHNOLOGY CO., LTD.**, Xiamen (CN)

CN 304895588 * 11/2018
CN 307063030 * 1/2022
KR 300544601 * 11/2009

(72) Inventor: **Dexi Xu**, Putian (CN)

OTHER PUBLICATIONS

(73) Assignee: **XIAMEN YESITO TECHNOLOGY CO., LTD.**, Xiamen (CN)

Barkertime Cherry Red Escape-Proof Premium Waterproof Dog Diaper, available in Amazon.com, date first available Jan. 12, 2020 [online], [site visited Sep. 9, 2022], Available from the internet URL: https://www.amazon.com/Barkertime-Dog-Diaper-Overall-Housetraining/dp/B083S315ZF?ref_ast_sto_dp&th=1 (Year: 2020).*

(**) Term: **15 Years**

(Continued)

(21) Appl. No.: **29/820,192**

(22) Filed: **Dec. 20, 2021**

Primary Examiner — Jennifer L Rempfer

(51) **LOC (13) Cl.** **30-01**

Assistant Examiner — Elizabeth Anne Glassberg

(52) **U.S. Cl.**

(57) **CLAIM**

USPC **D30/145**

The ornamental design for a combined pet diaper and pet leash, as shown and described.

(58) **Field of Classification Search**

DESCRIPTION

USPC D2/712; D10/72; D30/145, 152, 153
CPC A01K 25/00; A01K 27/00; A01K 27/001;
A01K 27/002; A01K 27/003; A01K
27/004; A01K 27/005

See application file for complete search history.

FIG. 1 is a perspective view of a combined pet diaper and pet leash showing my new design;
FIG. 2 is another perspective view thereof;
FIG. 3 is a front elevational view thereof;
FIG. 4 is a rear elevational view thereof;
FIG. 5 is a left side elevational view thereof;
FIG. 6 is a right side elevational view thereof;
FIG. 7 is a top plan view thereof;
FIG. 8 is a bottom plan view thereof;
FIG. 9 is an enlarged view of portion 9 shown in FIG. 1; and,
FIG. 10 is an enlarged view of portion 10 shown in FIG. 1.
The dash-dash broken lines in the drawings depict portions of the combined pet diaper and pet leash that form no part of the claimed design. The dot-dash broken lines represent boundaries of the enlarged portions and form no part of the claimed design.

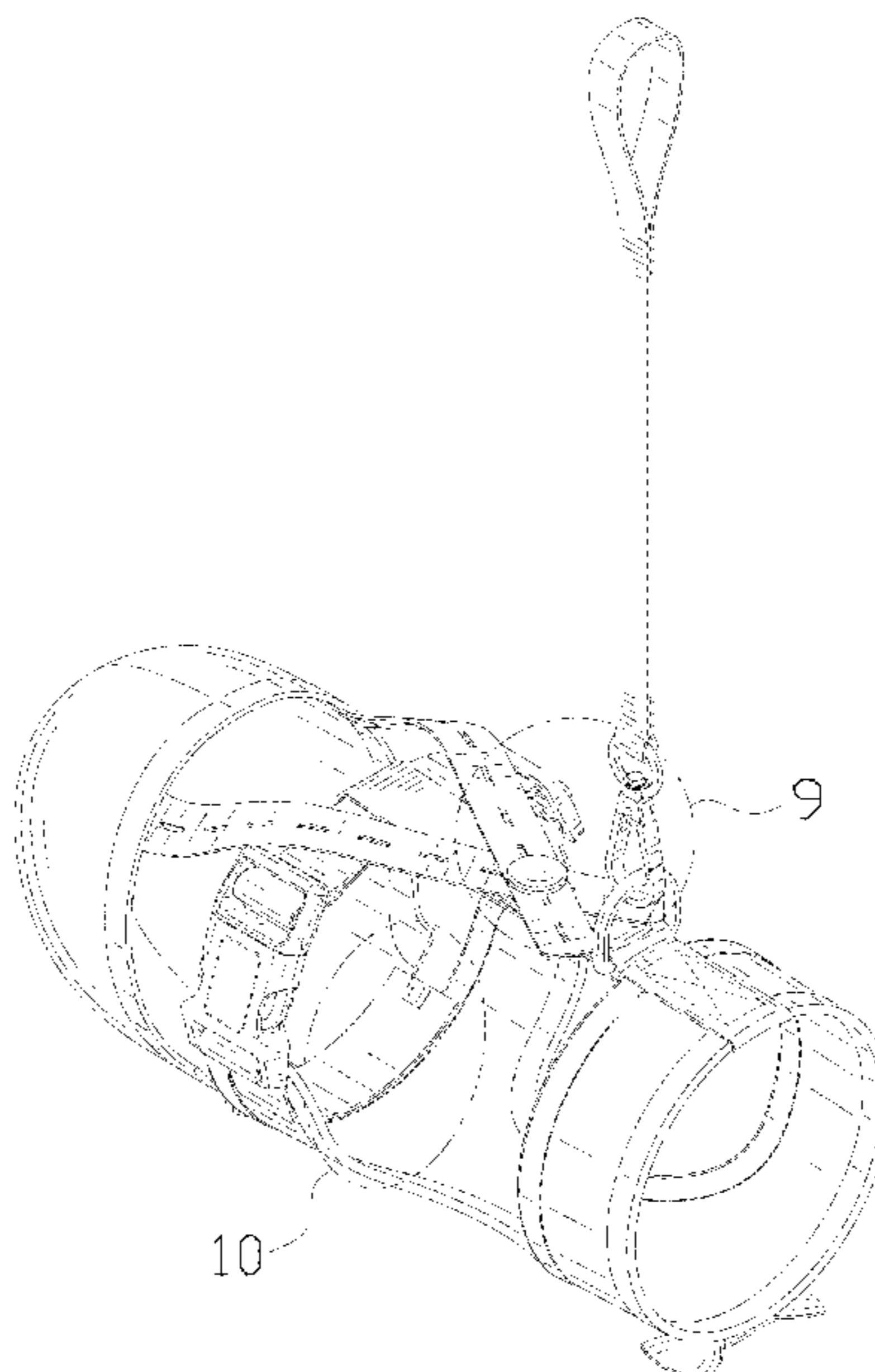
(56) **References Cited**

U.S. PATENT DOCUMENTS

2,539,606 A * 1/1951 Bailey A01K 21/00
119/854
4,577,591 A * 3/1986 Wesseldine A01K 23/00
119/869
4,813,949 A * 3/1989 O'Rourke A61F 13/49
604/394
D329,927 S * 9/1992 Thomas D30/145
D334,252 S * 3/1993 Stubbs D30/144
5,555,847 A * 9/1996 Kelly A01K 23/00
604/385.19
D406,410 S * 3/1999 Pasqua D24/126

(Continued)

1 Claim, 10 Drawing Sheets



(56)

References Cited

U.S. PATENT DOCUMENTS

6,142,105 A * 11/2000 McKnight A01K 23/00
119/869
6,368,313 B1 * 4/2002 Howard A01K 23/00
604/385.09
6,557,497 B1 * 5/2003 Milligan A01K 23/00
119/854
D480,842 S * 10/2003 Grodecki 119/869
7,044,087 B1 * 5/2006 Brecheen A01K 21/00
119/850
D555,297 S * 11/2007 Coleman D30/145
D615,711 S * 5/2010 Van Sice D30/145
7,753,008 B2 * 7/2010 Krenkel A01K 23/00
119/869
D638,175 S * 5/2011 Pellegrini D30/145
8,302,565 B2 * 11/2012 Williams A01K 23/00
119/868
D701,007 S * 3/2014 Krupich D30/153
D708,403 S 7/2014 Scoccola et al.
8,992,495 B1 * 3/2015 Howell A61F 13/15
119/869
10,506,797 B2 * 12/2019 Hanes A01K 23/00

D874,072 S 1/2020 Bui
D883,581 S * 5/2020 Daly D30/152
D948,811 S * 4/2022 Benishai D30/152
2004/0074450 A1 * 4/2004 Soares A01K 23/00
119/850
2006/0196447 A1 * 9/2006 Poh-Beyerlein A01K 23/00
119/869
2017/0156295 A1 * 6/2017 Zoltanski A01K 13/006
2018/0249681 A1 * 9/2018 Martin A61F 13/49004

OTHER PUBLICATIONS

Barkertime Dog Diaper Suspender Harness, available in Amazon.com, date first available Dec. 1, 2019 [online], [site visited Sep. 9, 2022], Available from the internet URL: <https://www.amazon.com/Barkertime-Dog-Diaper-Suspender-Harness/dp/B0826FRGVD?th=1> (Year: 2019).*

Yesito Chicken Harness Hen Size with 6ft Matching Leash, available in Amazon.ca, date first available Dec. 1, 2018 [online], [site visited Sep. 9, 2022], Available from the internet URL: <https://www.amazon.ca/Yesito-Chicken-Harness-Matching-Leash/dp/B07L1VXXMP> (Year: 2018).*

* cited by examiner

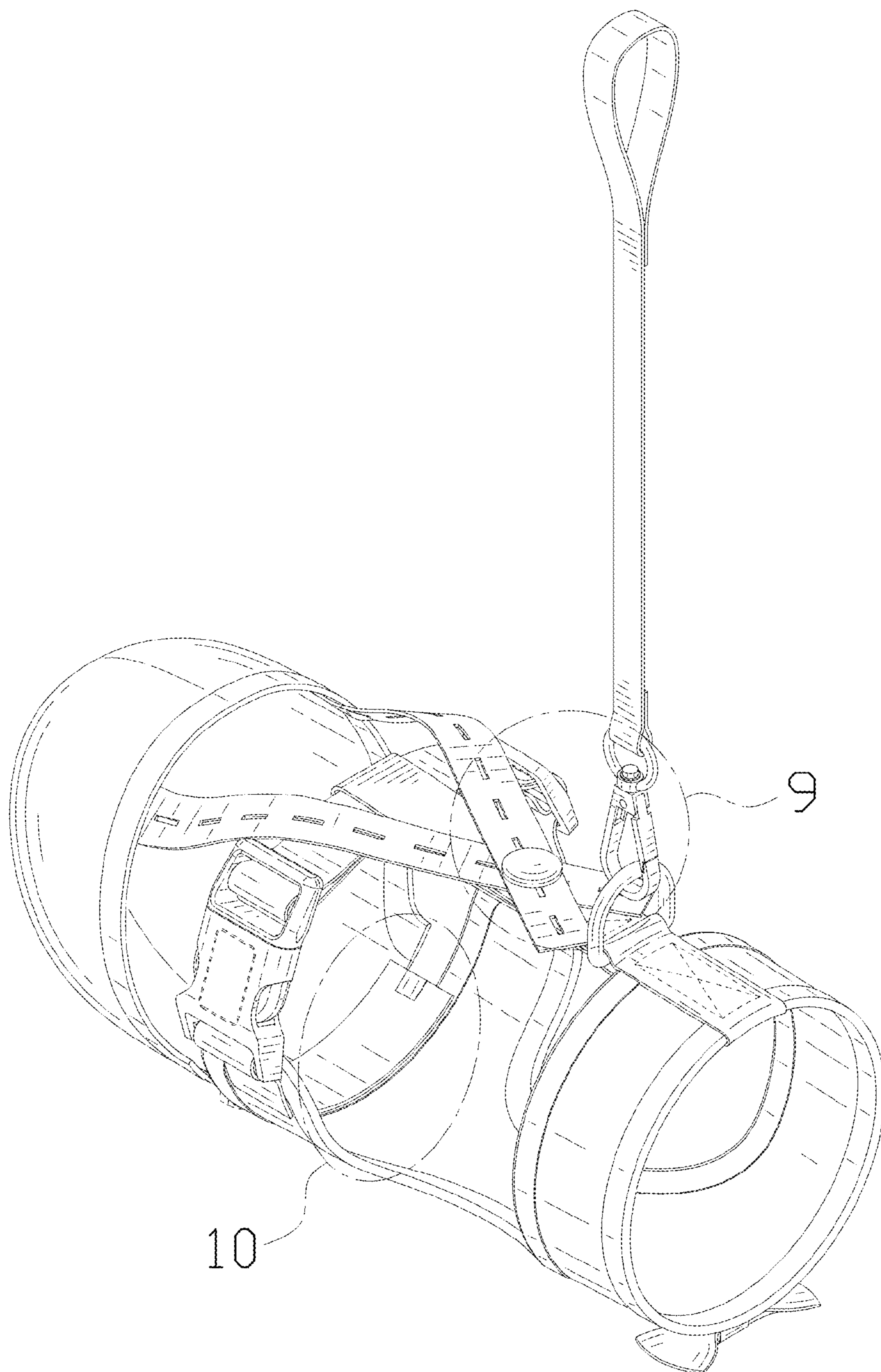


FIG. 1

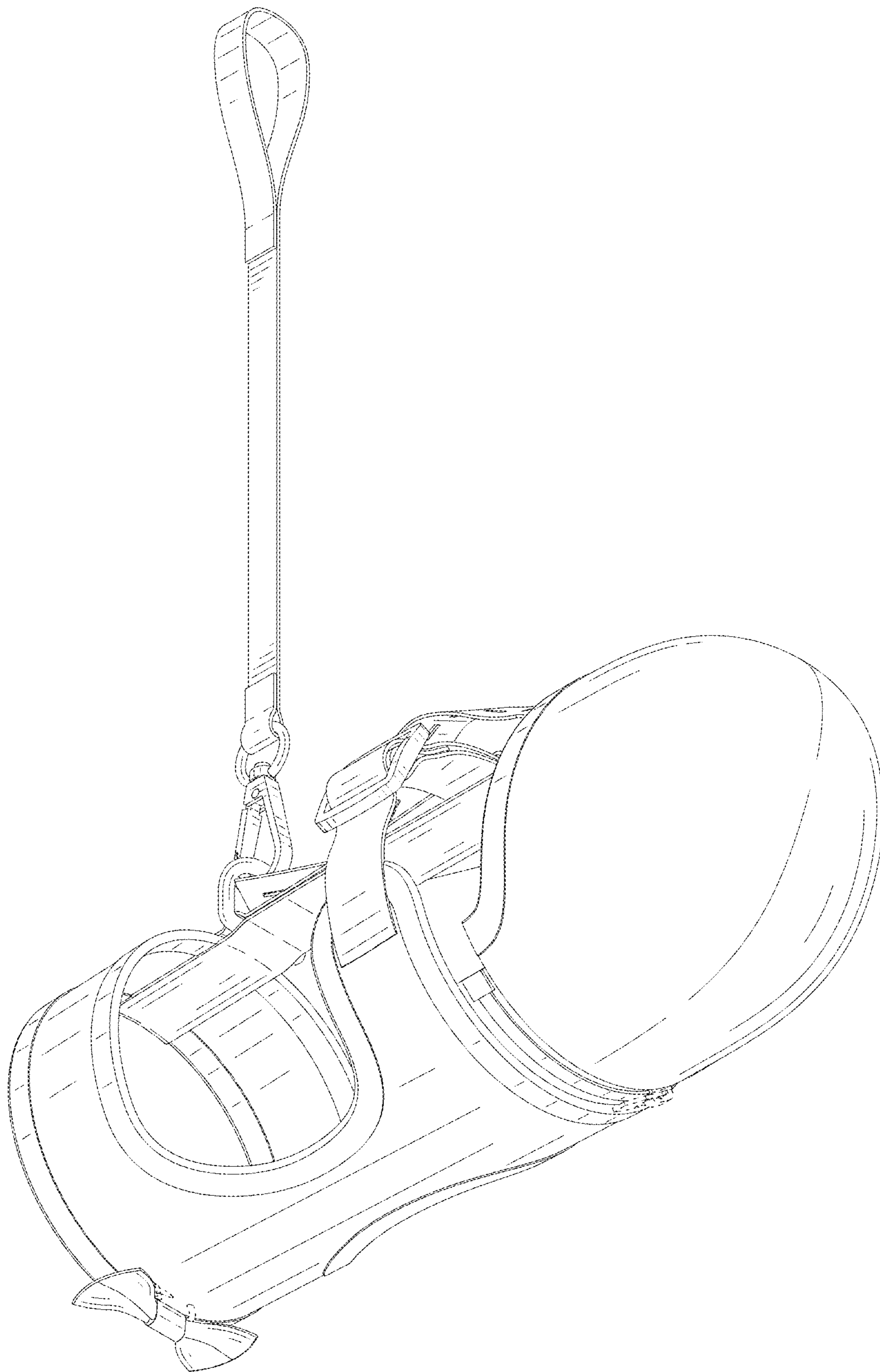


FIG. 2

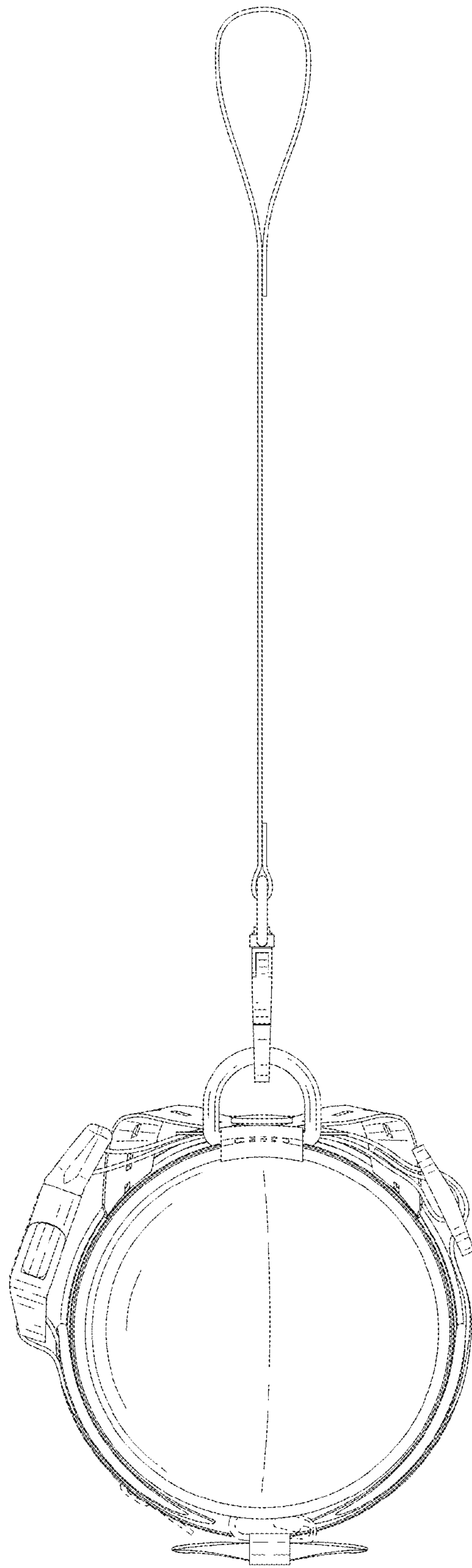


FIG. 3

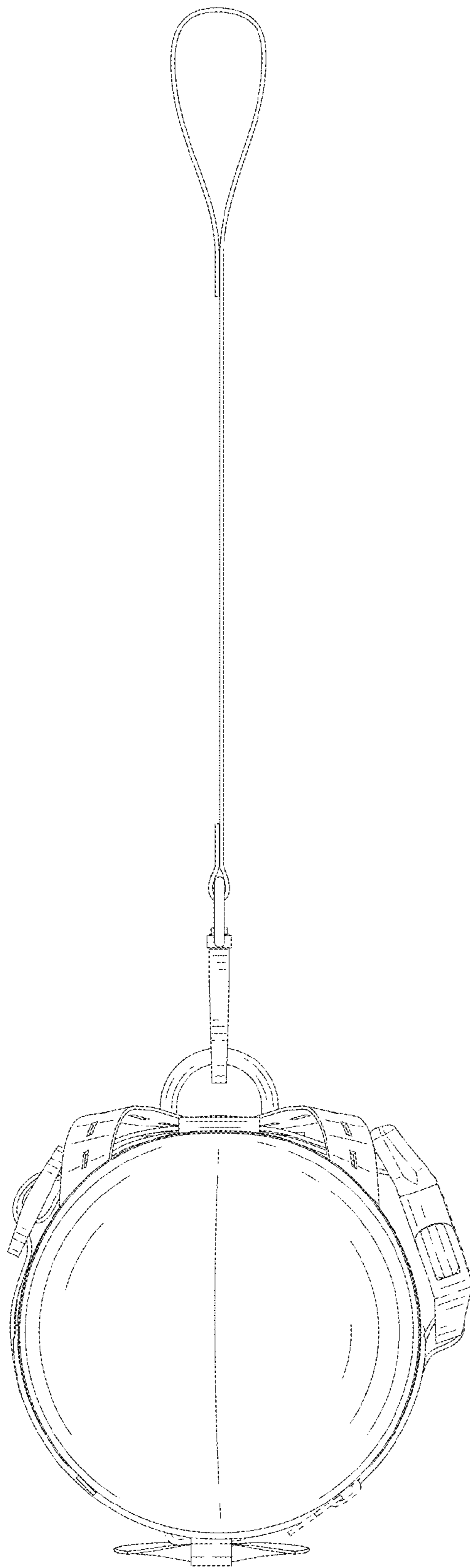


FIG. 4

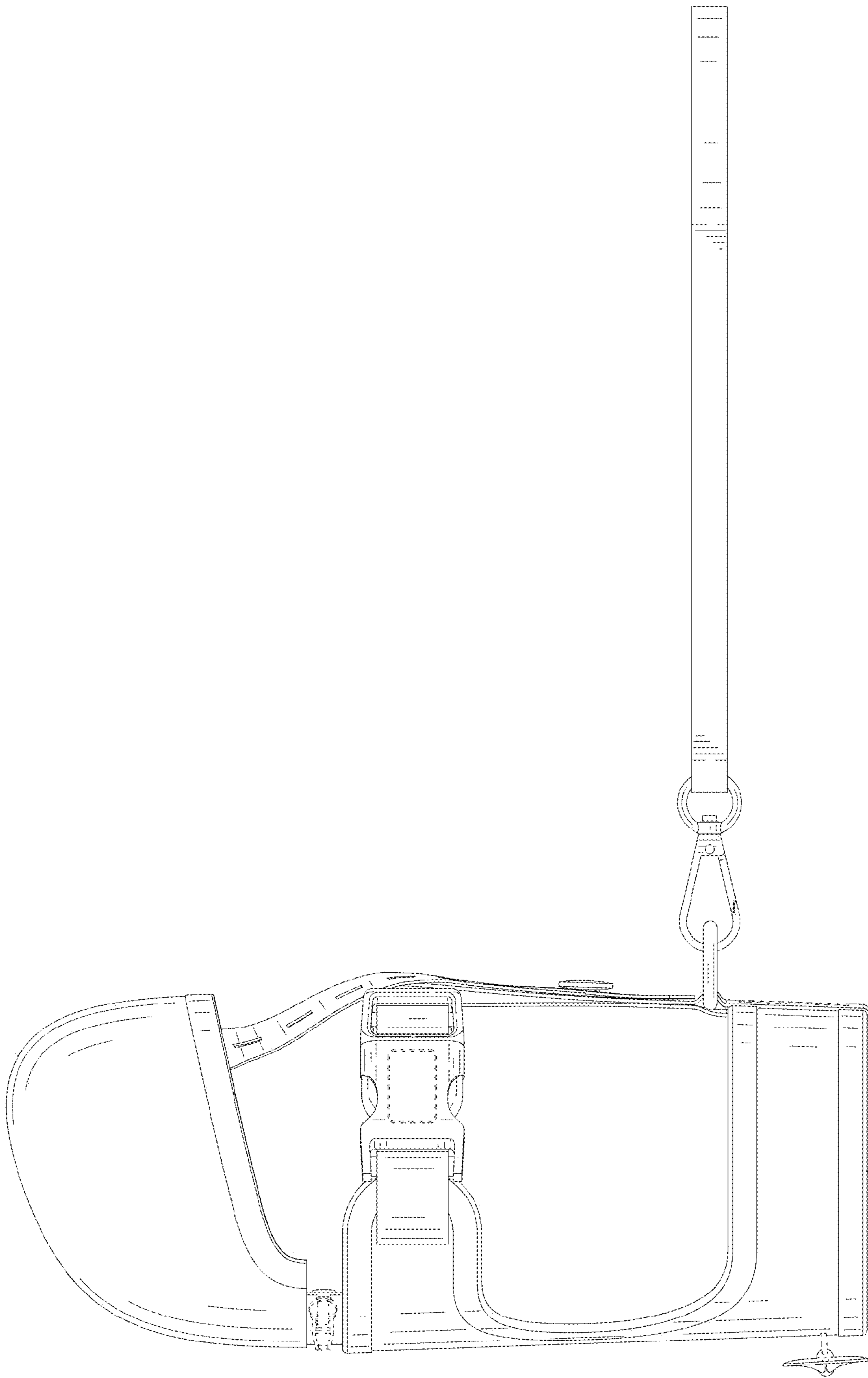


FIG. 5

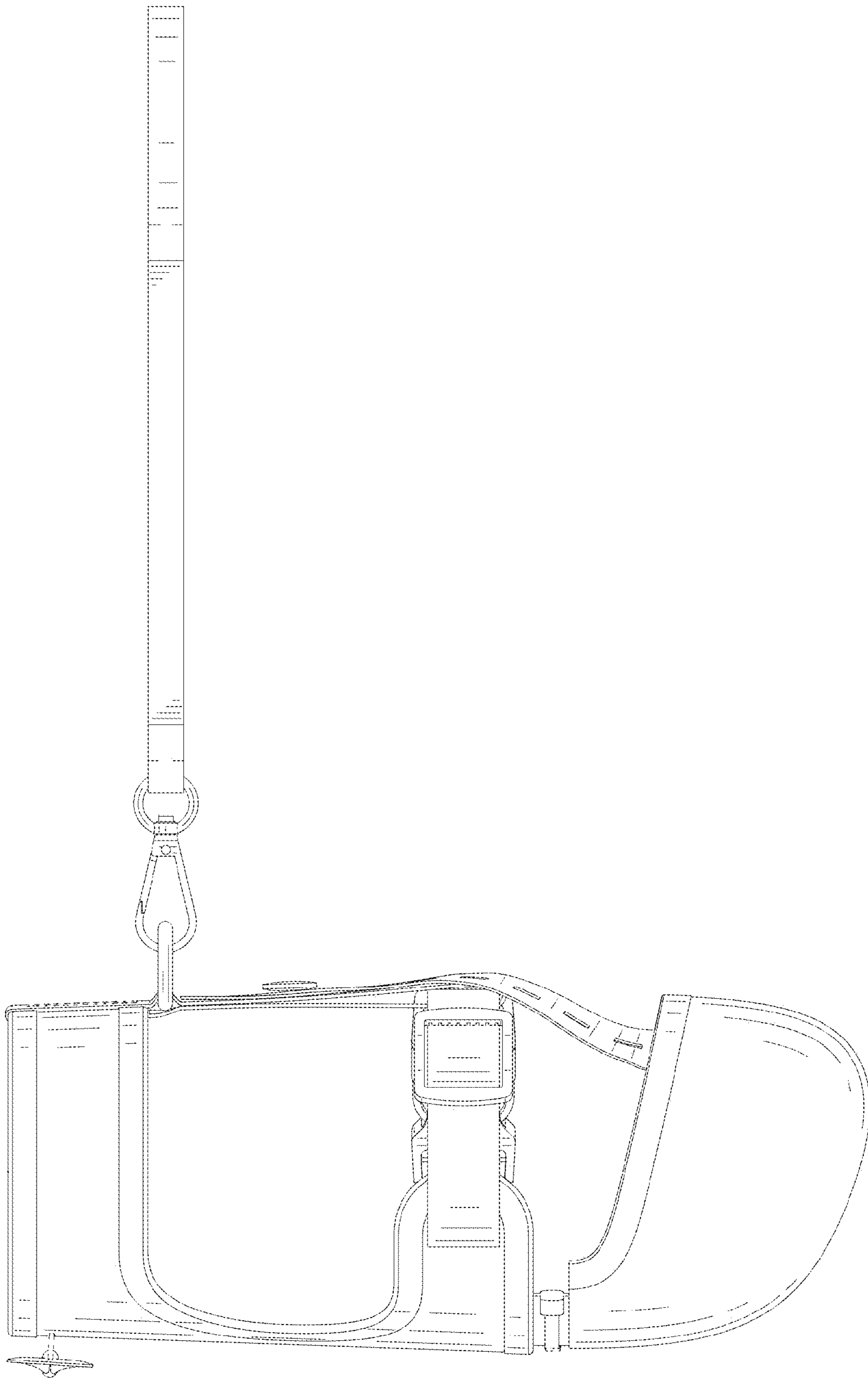


FIG. 6

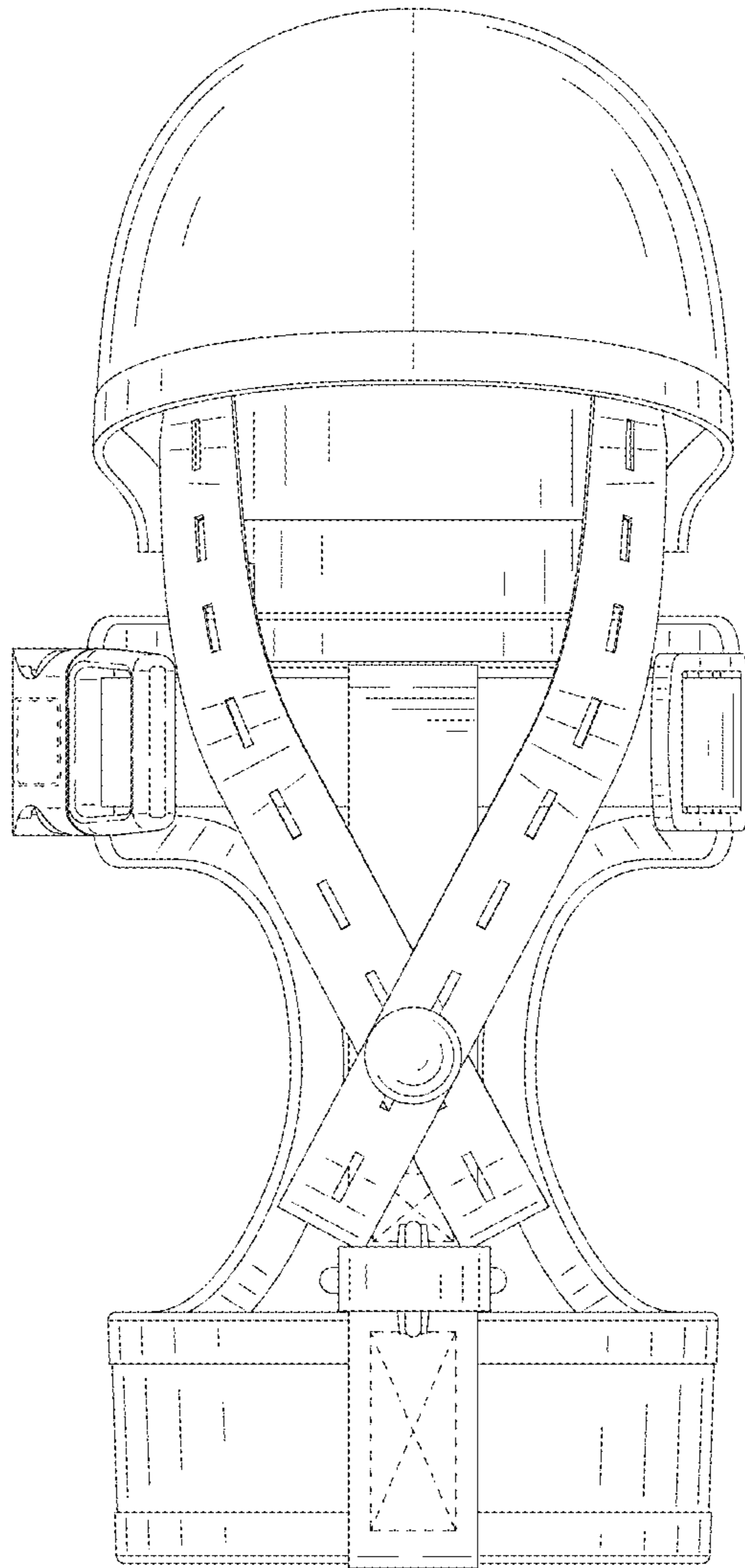


FIG. 7

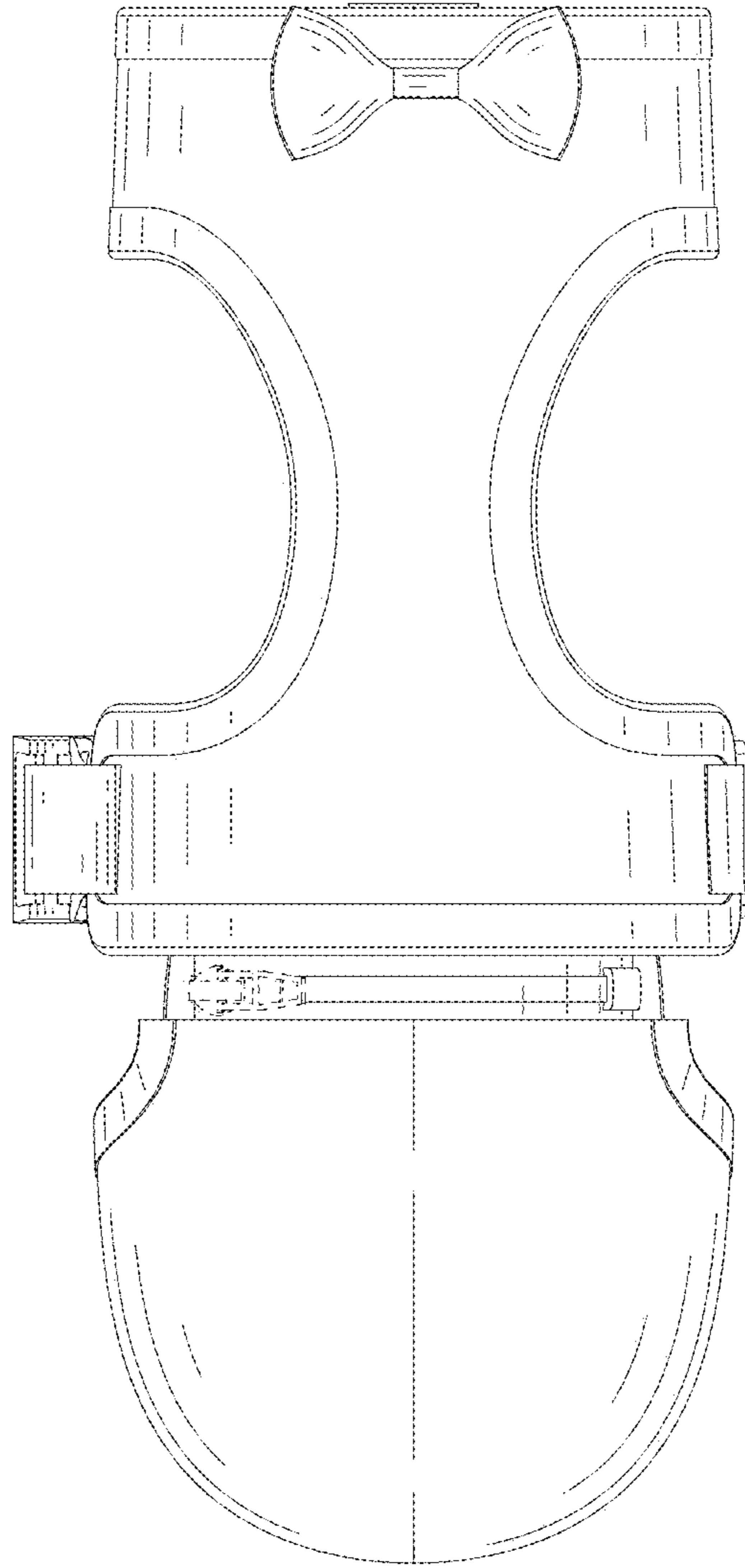


FIG. 8

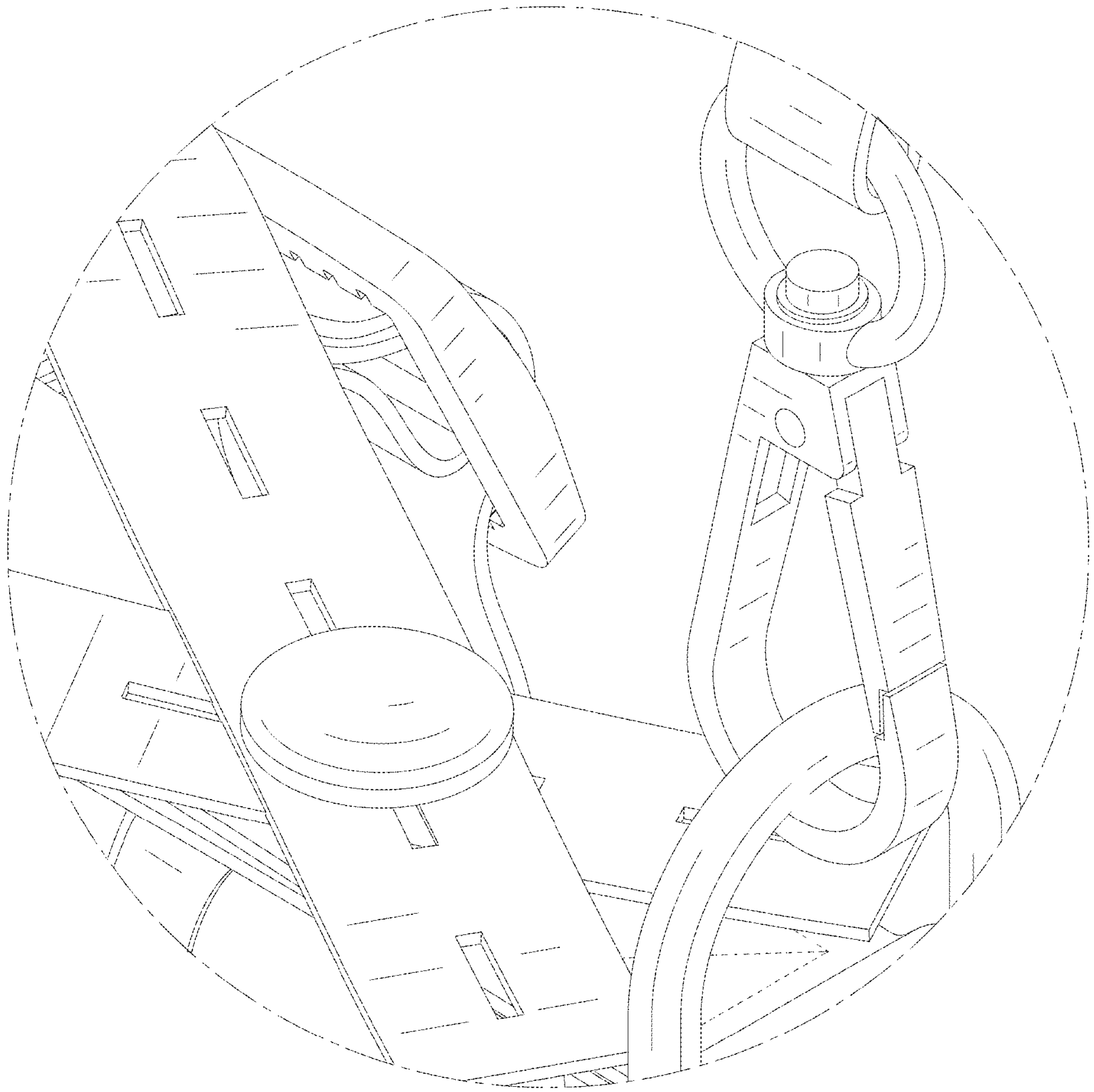


FIG. 9

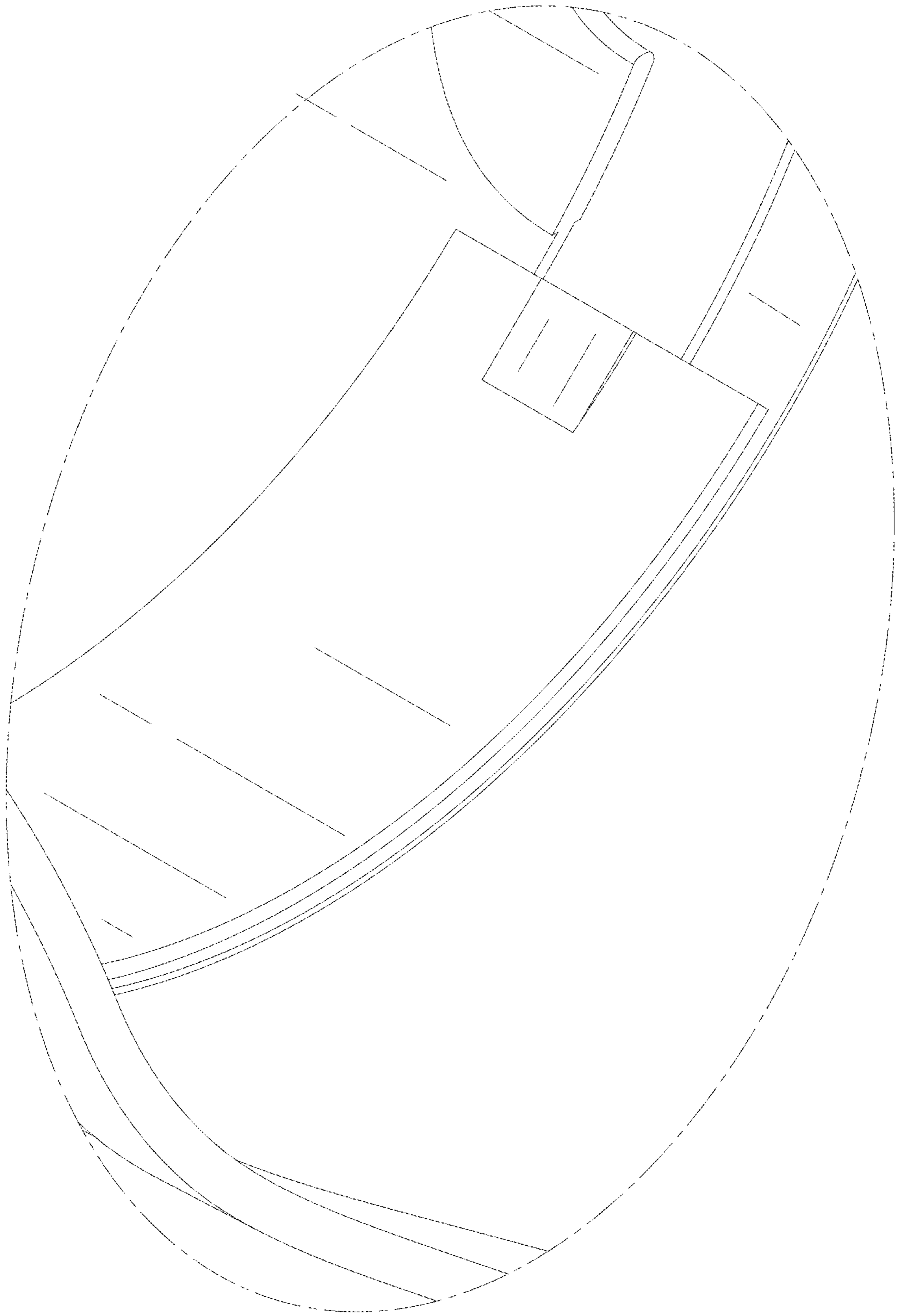


FIG. 10