



US00D968718S

(12) **United States Design Patent** (10) **Patent No.:** **US D968,718 S**
Hu (45) **Date of Patent:** **** Nov. 1, 2022**

(54) **PORTABLE WATER BOTTLE WITH FOOD CONTAINER FOR PETS**

(71) Applicant: **Dongguan Shengwei Plastic Products Co., Ltd.**, Guangdong (CN)

(72) Inventor: **Zhijun Hu**, Guangdong (CN)

(73) Assignee: **Dongguan Shengwei Plastic Products Co., Ltd.**, Dongguan (CN)

(**) Term: **15 Years**

(21) Appl. No.: **29/719,344**

(22) Filed: **Jan. 3, 2020**

(51) **LOC (13) Cl.** **30-03**

(52) **U.S. Cl.**
USPC **D30/130; D30/132**

(58) **Field of Classification Search**
USPC D3/201, 202, 203.1, 203.3; D7/507, D7/509-511, 513, 643-644; D10/46.2; D24/116, 117; D30/121-122, 129-133; D9/517
CPC .. A01K 5/0107; A01K 5/0135; A01K 5/0114; A01K 7/00; A61J 7/0023

See application file for complete search history.

(56) **References Cited**

U.S. PATENT DOCUMENTS

2,453,525 A * 11/1948 McNeill A61J 7/0046
604/48
5,377,879 A * 1/1995 Isaacs G01F 19/002
604/218
D562,503 S * 2/2008 Zutis D30/121
D682,628 S * 5/2013 Tollman A61J 7/0046
D7/642
D728,169 S * 4/2015 Yacov G01F 19/002
D30/129
9,894,879 B2 * 2/2018 Sanderson A01K 7/00
D856,730 S * 8/2019 Pisarevsky D7/300

D861,258 S * 9/2019 Liang D30/129
2008/0087224 A1 * 4/2008 Wechsler A01K 7/00
119/52.1
2019/0216052 A1 * 7/2019 Yang A01K 7/00

FOREIGN PATENT DOCUMENTS

CN 305344482 * 9/2019
CN 305368642 * 9/2019
CN 305518150 * 12/2019
WO WO-03010068 A2 * 2/2003 A61J 7/0023

OTHER PUBLICATIONS

Trendfun, "Upsky Dog Water Bottle," Apr. 18, 2019, Amazon.com, www.amazon.com/UPSKY-Portable-Activated-Dispenser-Lightweight/dp/B07QKS7MM6?th=1 (Year: 2019).*

* cited by examiner

Primary Examiner — Joseph Kukella

Assistant Examiner — Arva P Adams

(74) *Attorney, Agent, or Firm* — Jeenam Park

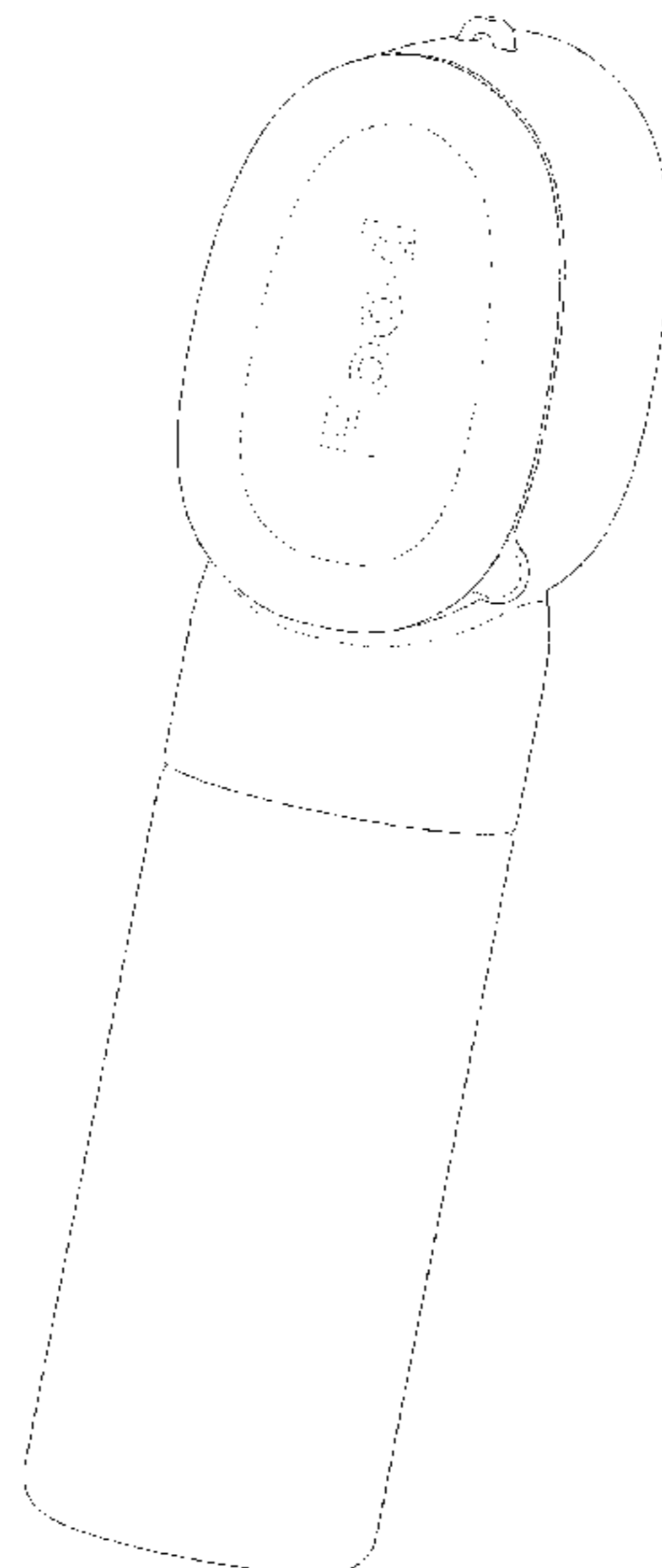
(57) **CLAIM**

The ornamental design for a portable water bottle with food container for pets, as shown and described.

DESCRIPTION

FIG. 1 is a perspective view of a portable water bottle with food container for pets, showing my new design;
FIG. 2 is a rear perspective view thereof;
FIG. 3 is a front view thereof;
FIG. 4 is a rear view thereof;
FIG. 5 is a right side elevational view thereof;
FIG. 6 is a left side elevational view thereof;
FIG. 7 is a top plan view thereof; and,
FIG. 8 is a bottom plan view thereof.
The broken lines shown in the drawings illustrate portions of the portable water bottle with food container for pets that form no part of the claimed design.

1 Claim, 8 Drawing Sheets



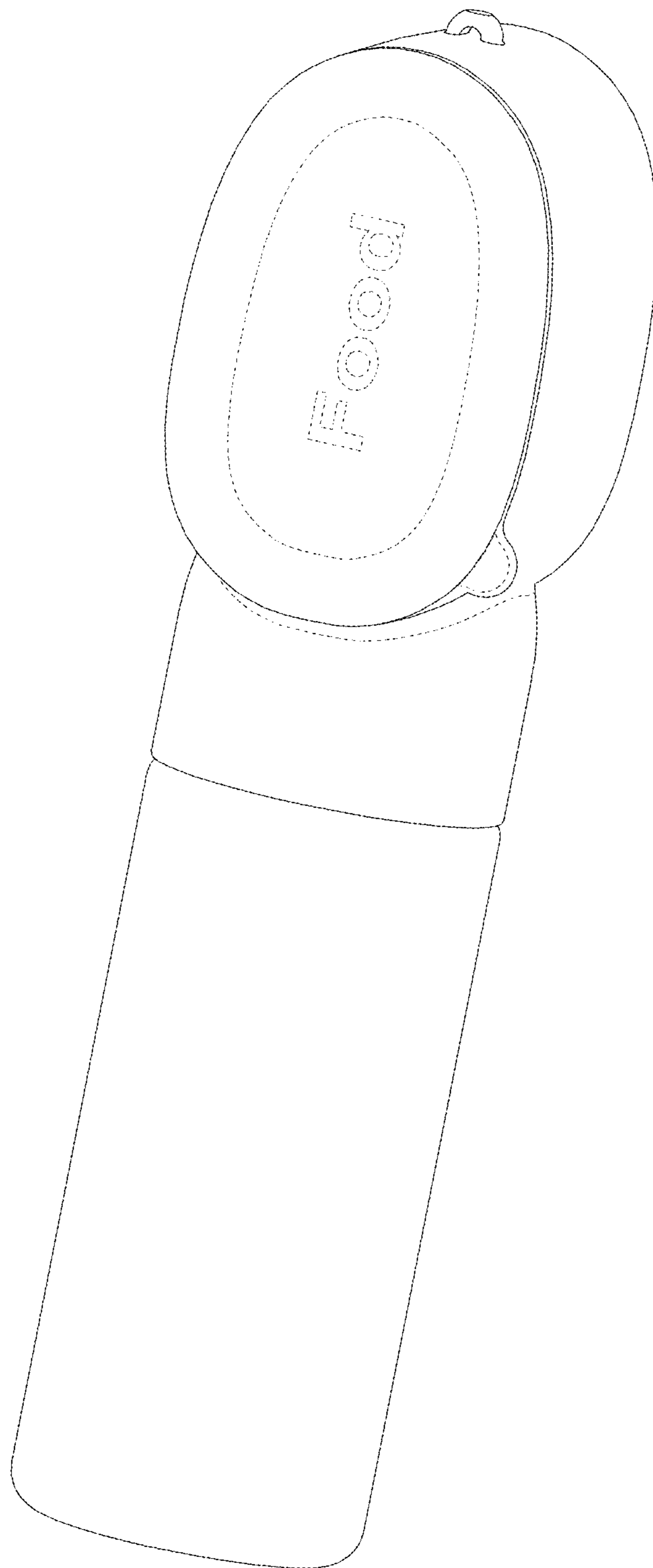


FIG. 1

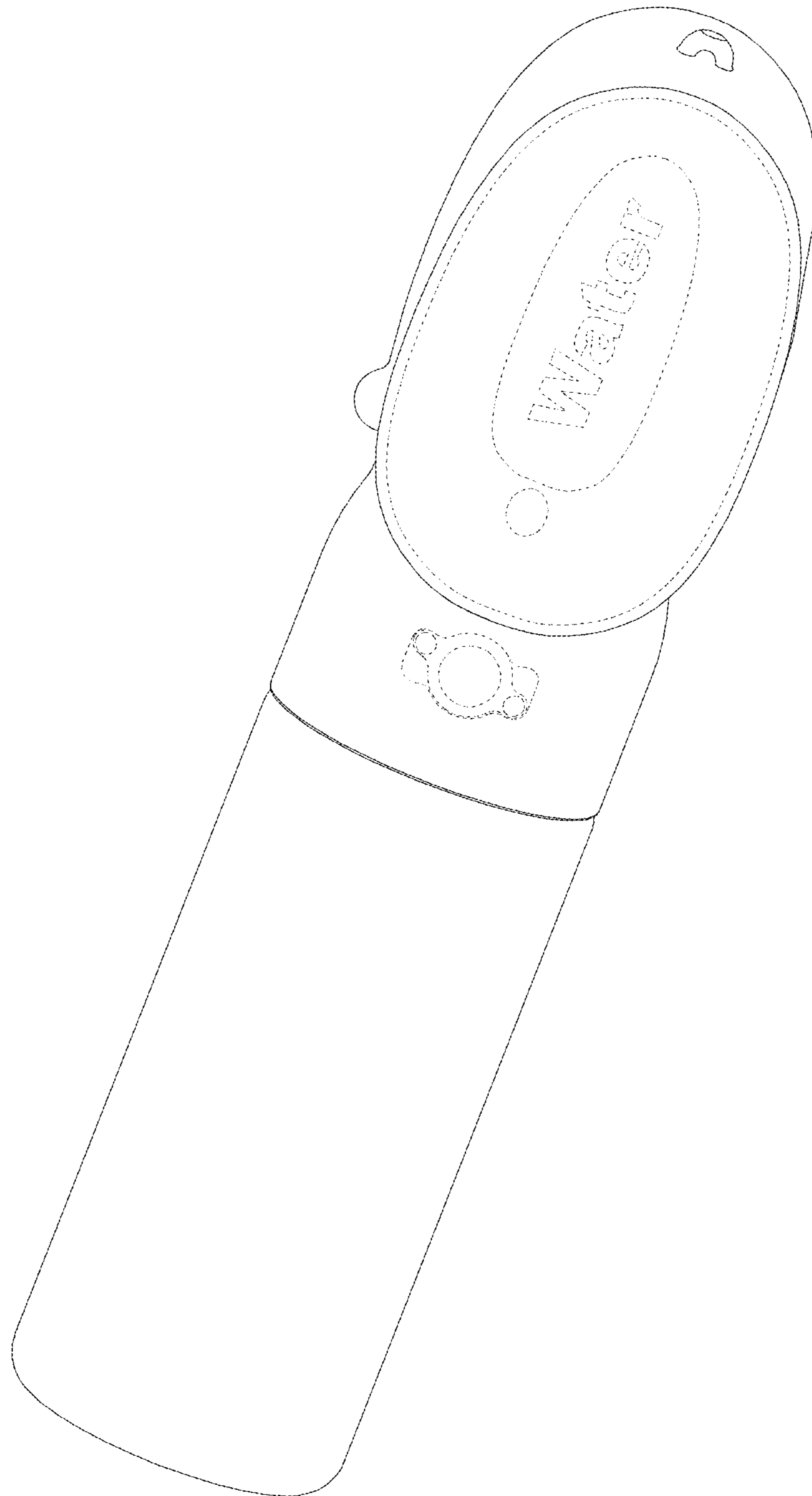


FIG. 2

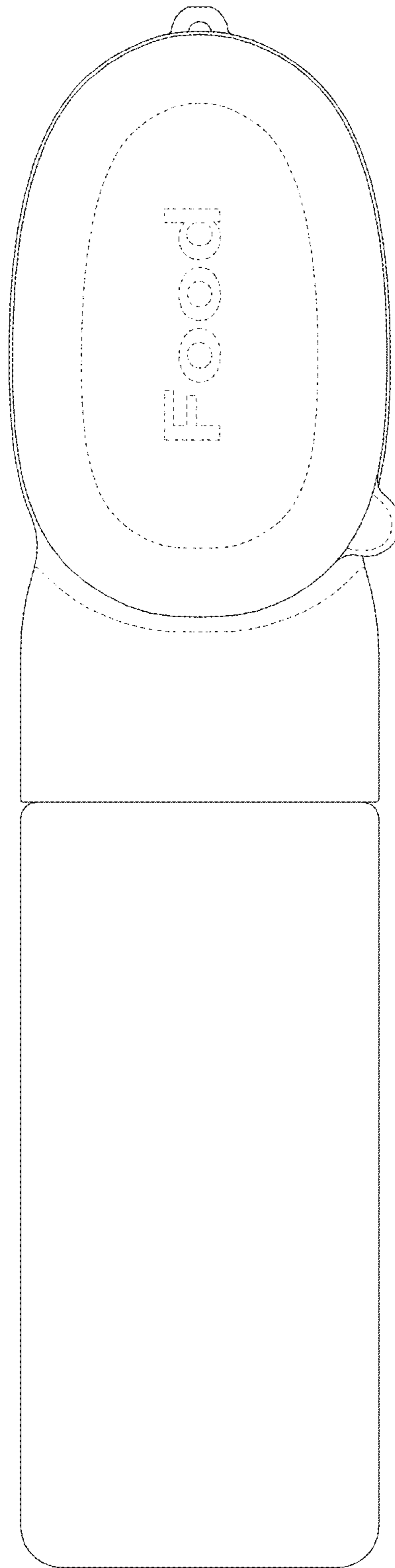


FIG. 3

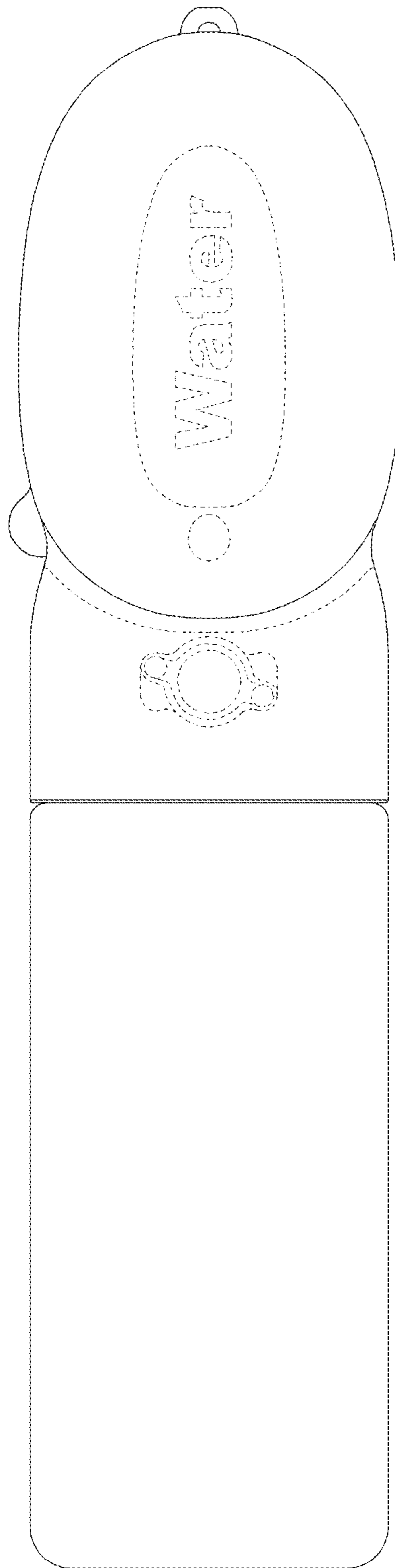


FIG. 4

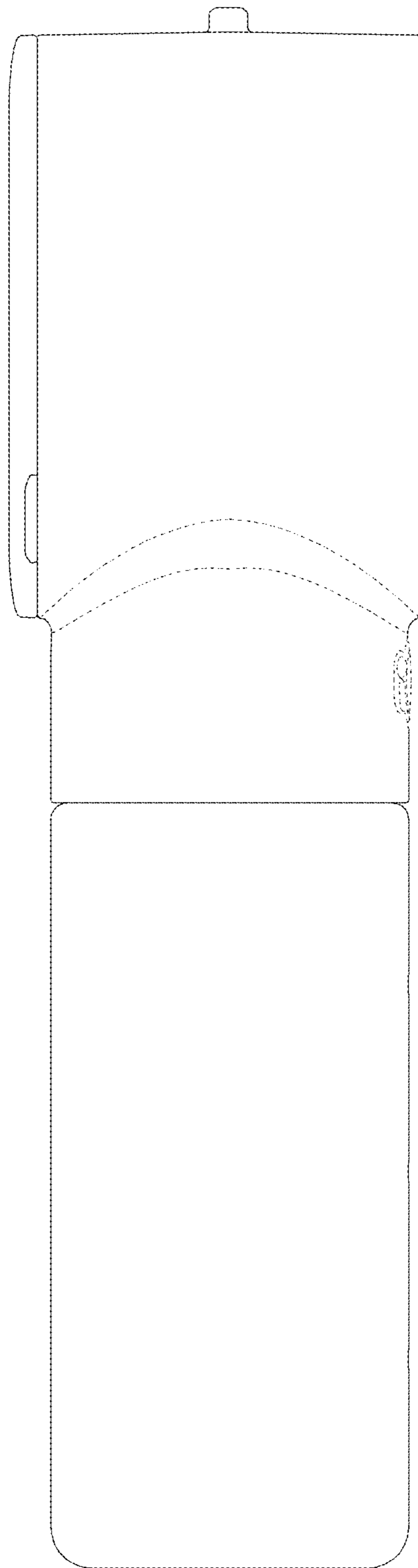


FIG. 5

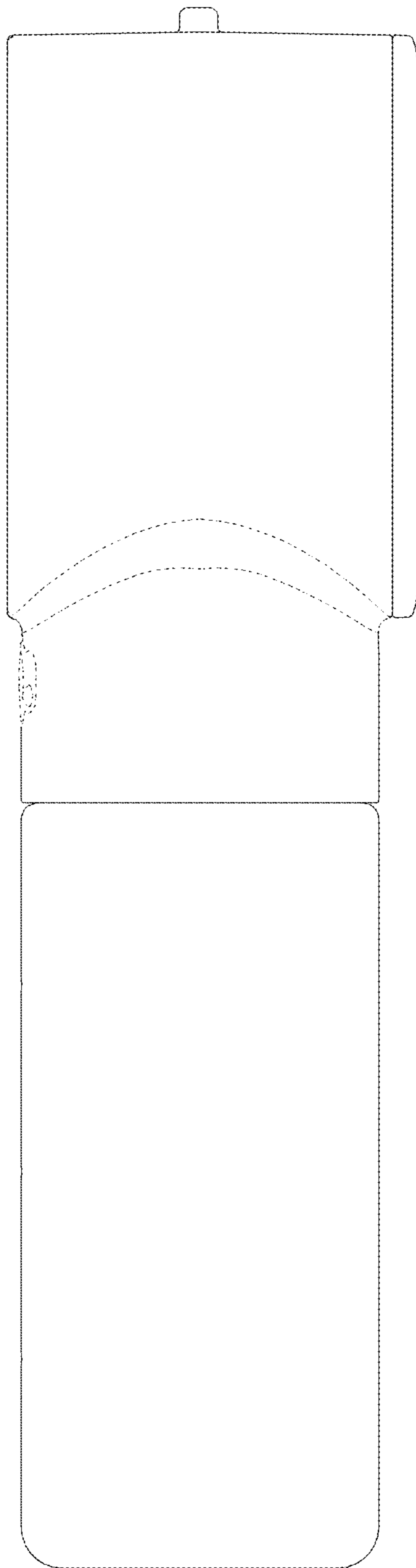


FIG. 6

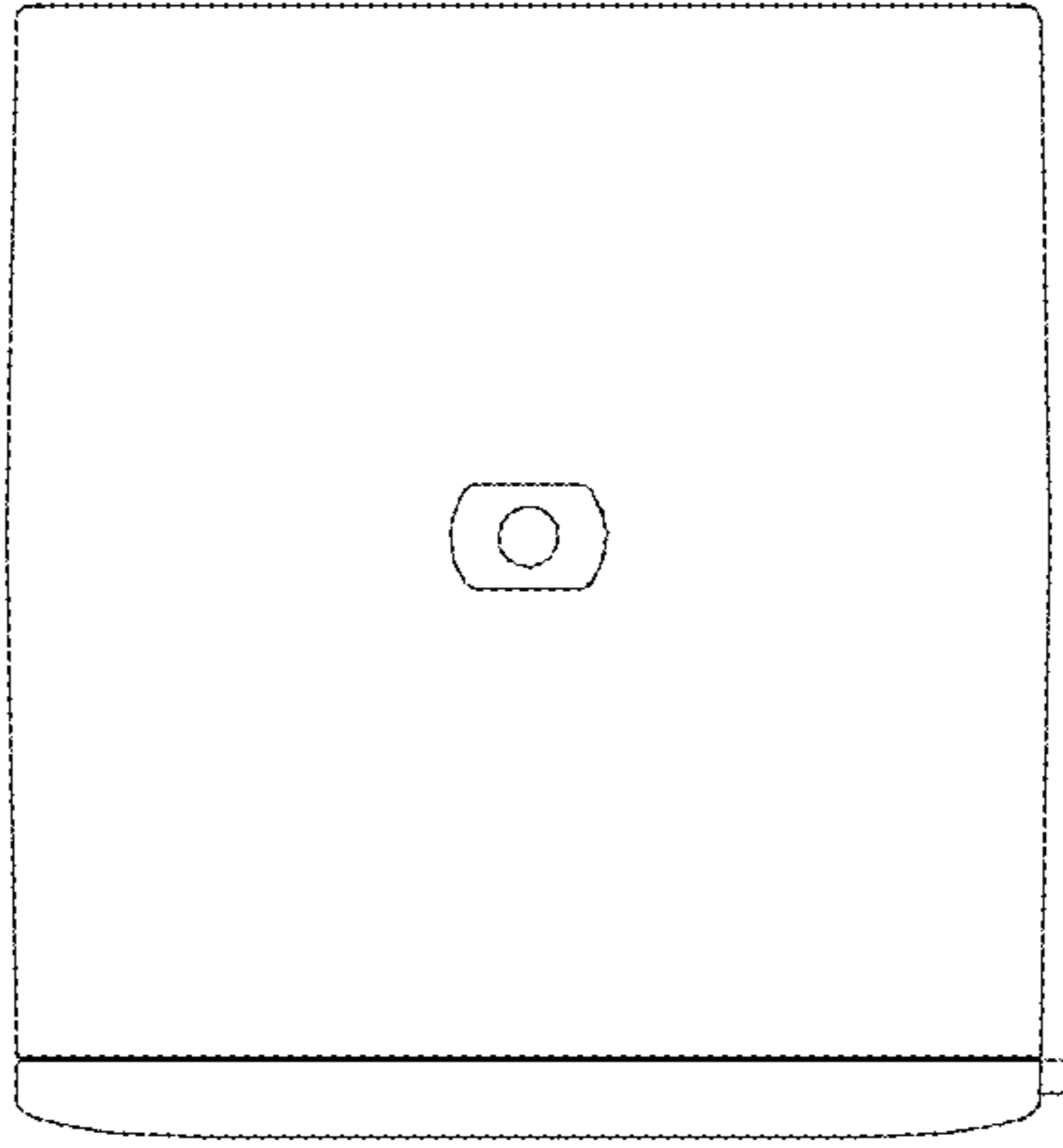


FIG. 7

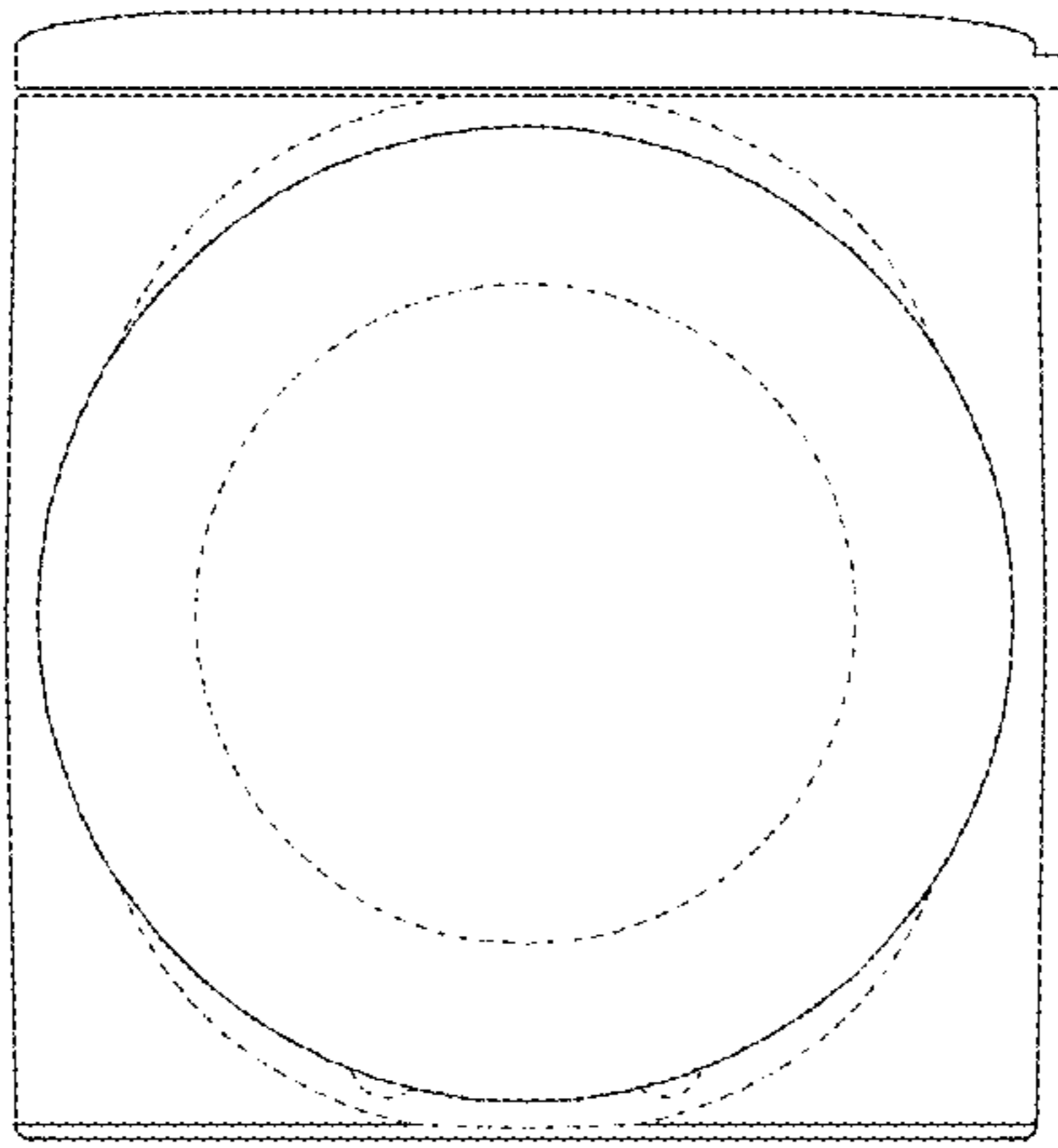


FIG. 8