



US00D968716S

(12) **United States Design Patent**
Wang

(10) **Patent No.:** **US D968,716 S**
(45) **Date of Patent:** **** Nov. 1, 2022**

- (54) **PET BAG**
- (71) Applicant: **Shenzhen Angsheng Technology Co., Ltd., Shenzhen (CN)**
- (72) Inventor: **Xiangyang Wang, Shenzhen (CN)**
- (**) Term: **15 Years**
- (21) Appl. No.: **29/802,616**
- (22) Filed: **Aug. 6, 2021**
- (51) **LOC (13) Cl.** **30-02**
- (52) **U.S. Cl.**
USPC **D30/109**
- (58) **Field of Classification Search**
USPC D30/108–120; D3/254, 268, 259
CPC A01K 1/00; A01K 1/02; A01K 1/0236;
A01K 1/0254; A01K 1/0272; A01K
1/0281; A01K 1/029; A01K 1/034
See application file for complete search history.

(56) **References Cited**

U.S. PATENT DOCUMENTS

D398,083 S *	9/1998	Martz	D3/273
D523,995 S	6/2006	Knittle		
D524,995 S	7/2006	Dudas		
D548,408 S *	8/2007	Martz	D3/273
D575,461 S	8/2008	Cannon		
D649,719 S *	11/2011	Siklosi	D30/109
D662,263 S *	6/2012	Chau	D30/109
D662,264 S	6/2012	Chau		
D685,952 S	7/2013	Dixon		
D703,876 S	4/2014	Chance		
D705,497 S *	5/2014	Renforth	D30/108
D707,896 S *	6/2014	Renforth	D30/108
D713,099 S	9/2014	Chance		
D717,005 S	11/2014	Skaggs		
D722,728 S *	2/2015	Renforth	D30/109
D759,319 S	6/2016	Chang		
D800,451 S *	10/2017	Collins	D3/254
D808,596 S	1/2018	Veness		

D889,827 S *	7/2020	Wark	A45C 3/00 D3/255
10,772,288 B1 *	9/2020	Sandiford	A01K 1/0272
2003/0127060 A1 *	7/2003	Yeung	A01K 1/0254 119/497
2008/0066689 A1 *	3/2008	Martz	A01K 1/0254 119/497
2008/0072837 A1 *	3/2008	Redzisz	A01K 1/0254 119/474
2008/0184941 A1 *	8/2008	Hai	A01K 1/0254 119/497

(Continued)

Primary Examiner — Samantha Wood

Assistant Examiner — Aula Soroush

(74) *Attorney, Agent, or Firm* — Rumi Ranjit Kanakia

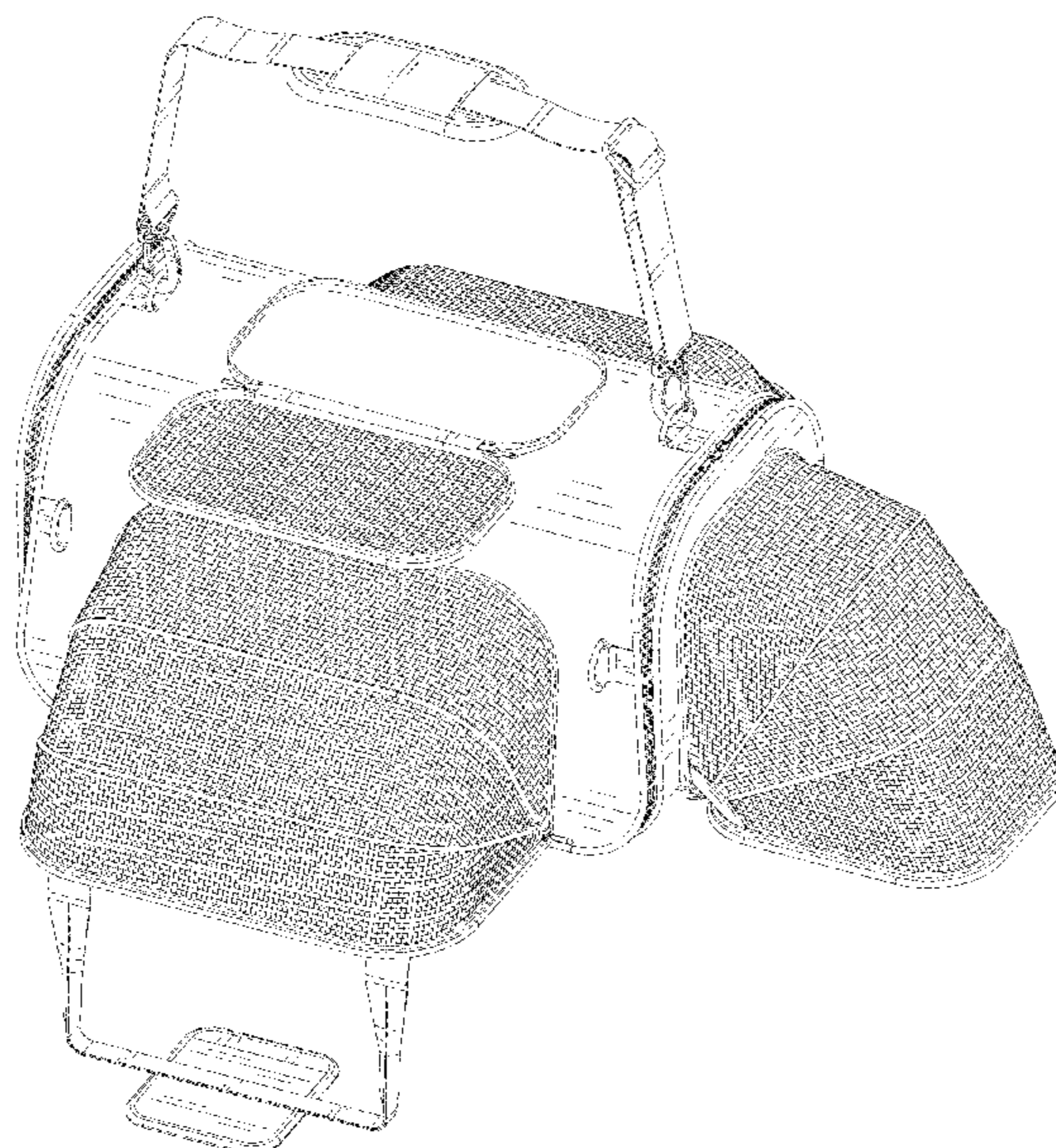
(57) **CLAIM**

The ornamental design for a pet bag, as shown and described.

DESCRIPTION

FIG. 1 is a front elevational view of a pet bag showing my new design;
 FIG. 2 is a rear elevational view thereof; and
 FIG. 3 is a left side view thereof;
 FIG. 4 is a right side view thereof;
 FIG. 5 is a top plan view thereof;
 FIG. 6 is a bottom plan view thereof;
 FIG. 7 is a perspective view of a pet bag showing my new design;
 FIG. 8 is another perspective view thereof;
 FIG. 9 is a perspective view showing that a pet bag is in an open status; and,
 FIG. 10 is another perspective view showing that the pet bag is in an open status.
 The broken lines in the figures are for the purposes of illustrating portions of the pet bag, which form no part of the claimed design.

1 Claim, 10 Drawing Sheets



(56)

References Cited

U.S. PATENT DOCUMENTS

2008/0216760 A1* 9/2008 Cannon A01K 1/0254
119/497
2009/0205578 A1* 8/2009 Alves A01K 1/0107
119/454
2010/0000472 A1* 1/2010 Siklosi A01K 1/0272
119/497
2010/0313824 A1* 12/2010 Northrop A01K 1/0254
119/496
2012/0186533 A1* 7/2012 Lu A01K 1/0254
119/497
2014/0230748 A1* 8/2014 Renforth A01K 1/0254
119/496
2014/0261219 A1* 9/2014 Renforth A01K 1/0157
119/482
2017/0265430 A1* 9/2017 Renforth A01K 1/0236

* cited by examiner



FIG. 1

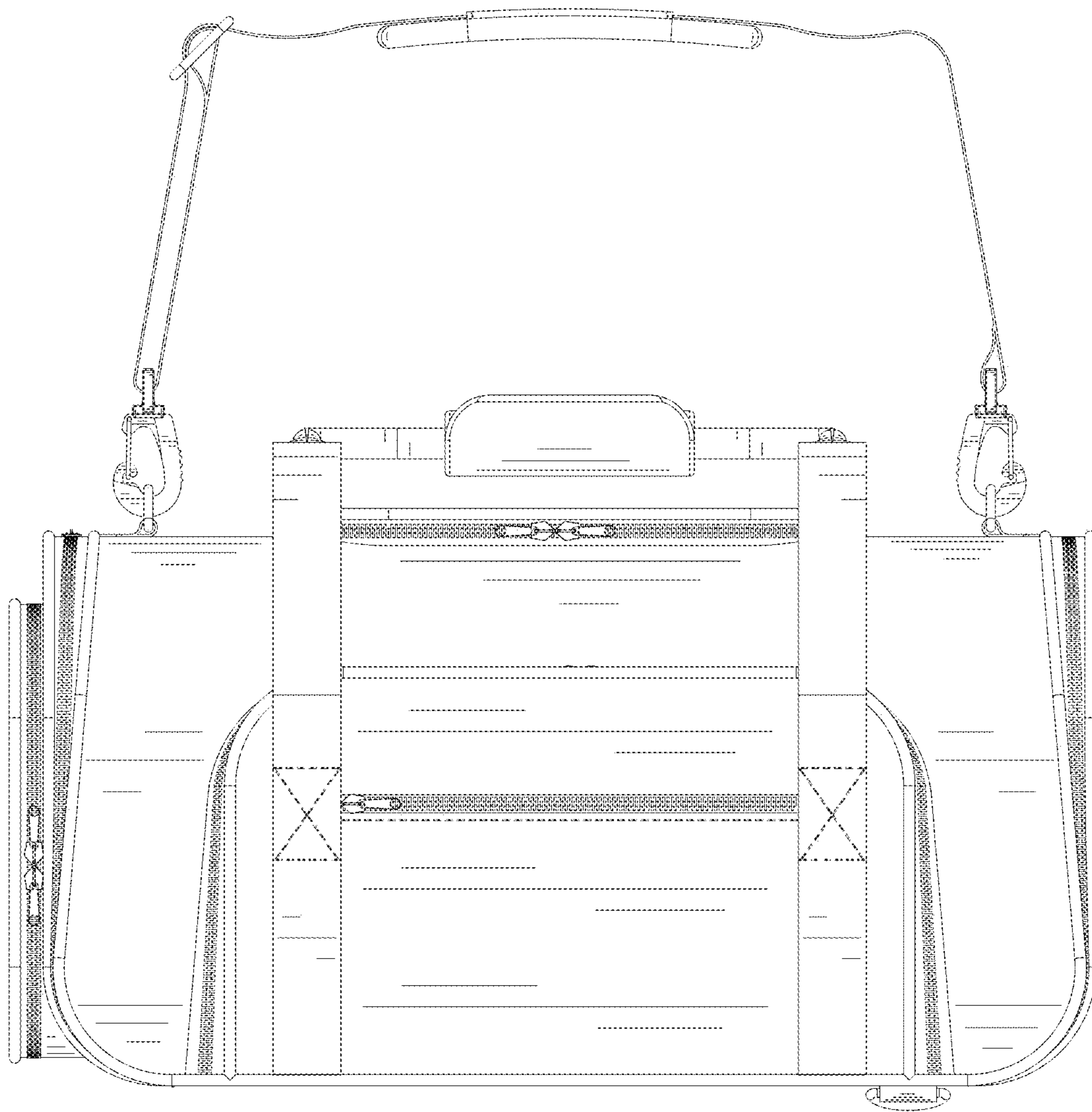


FIG. 2

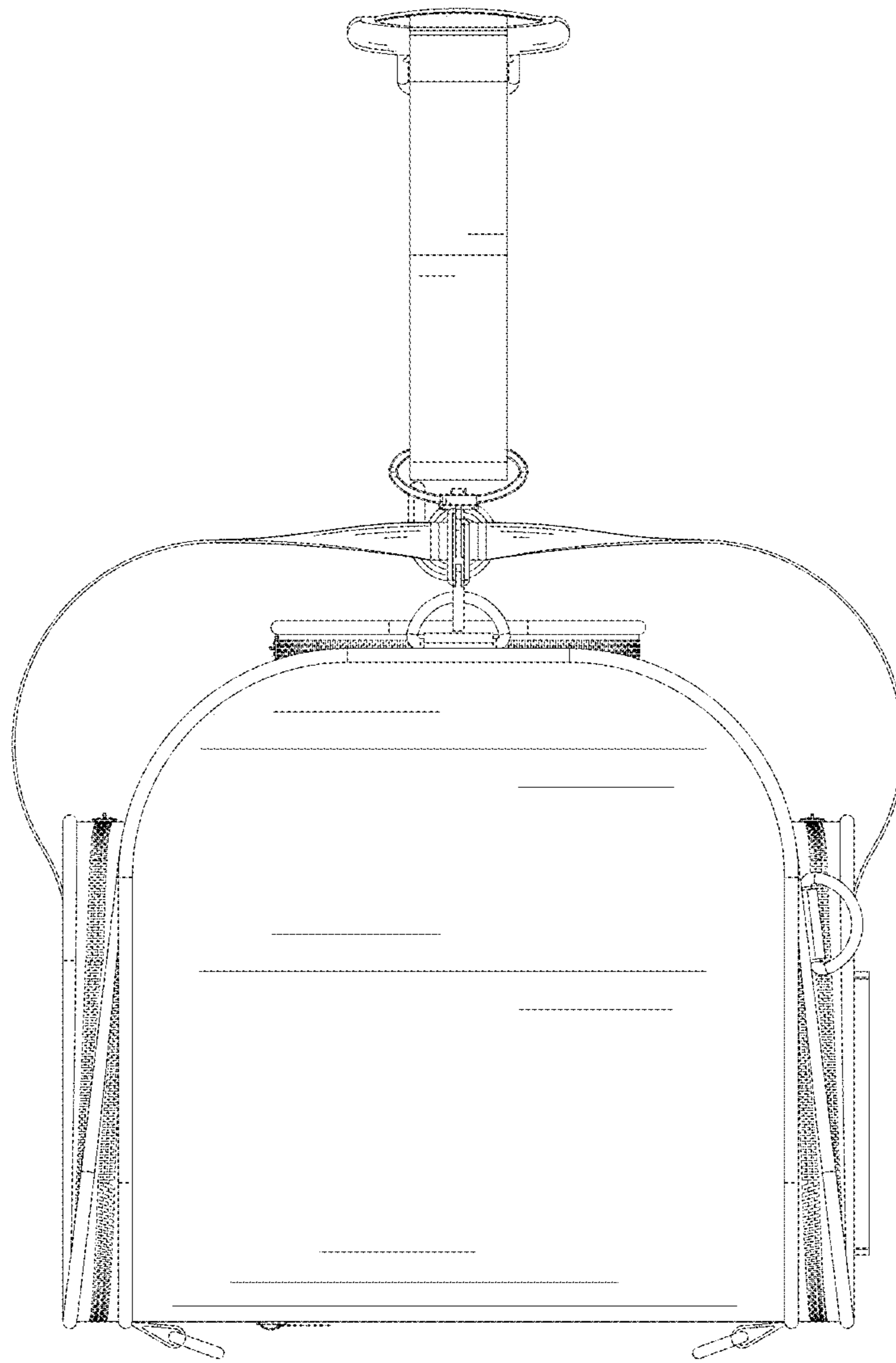


FIG. 3

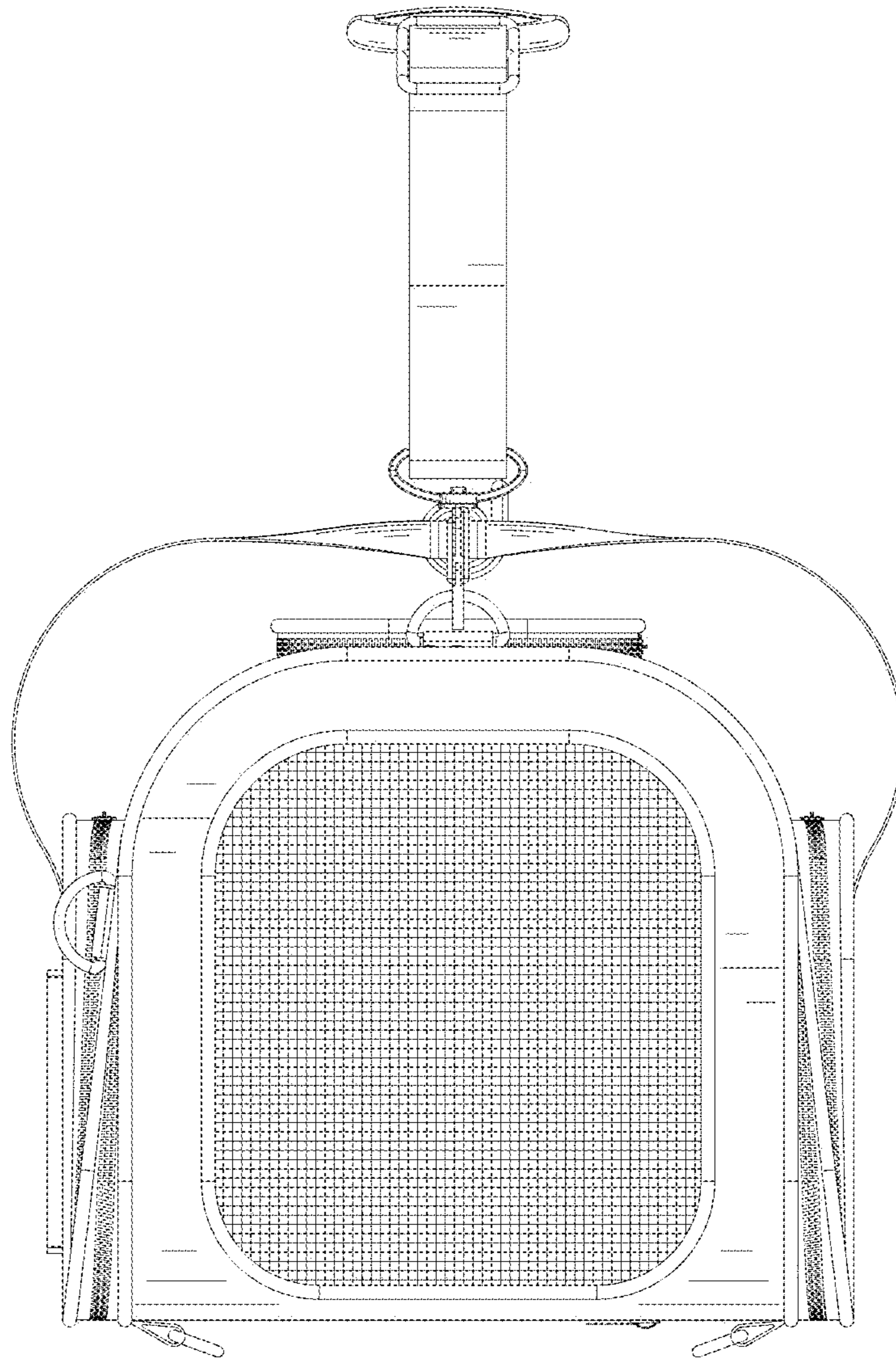


FIG. 4

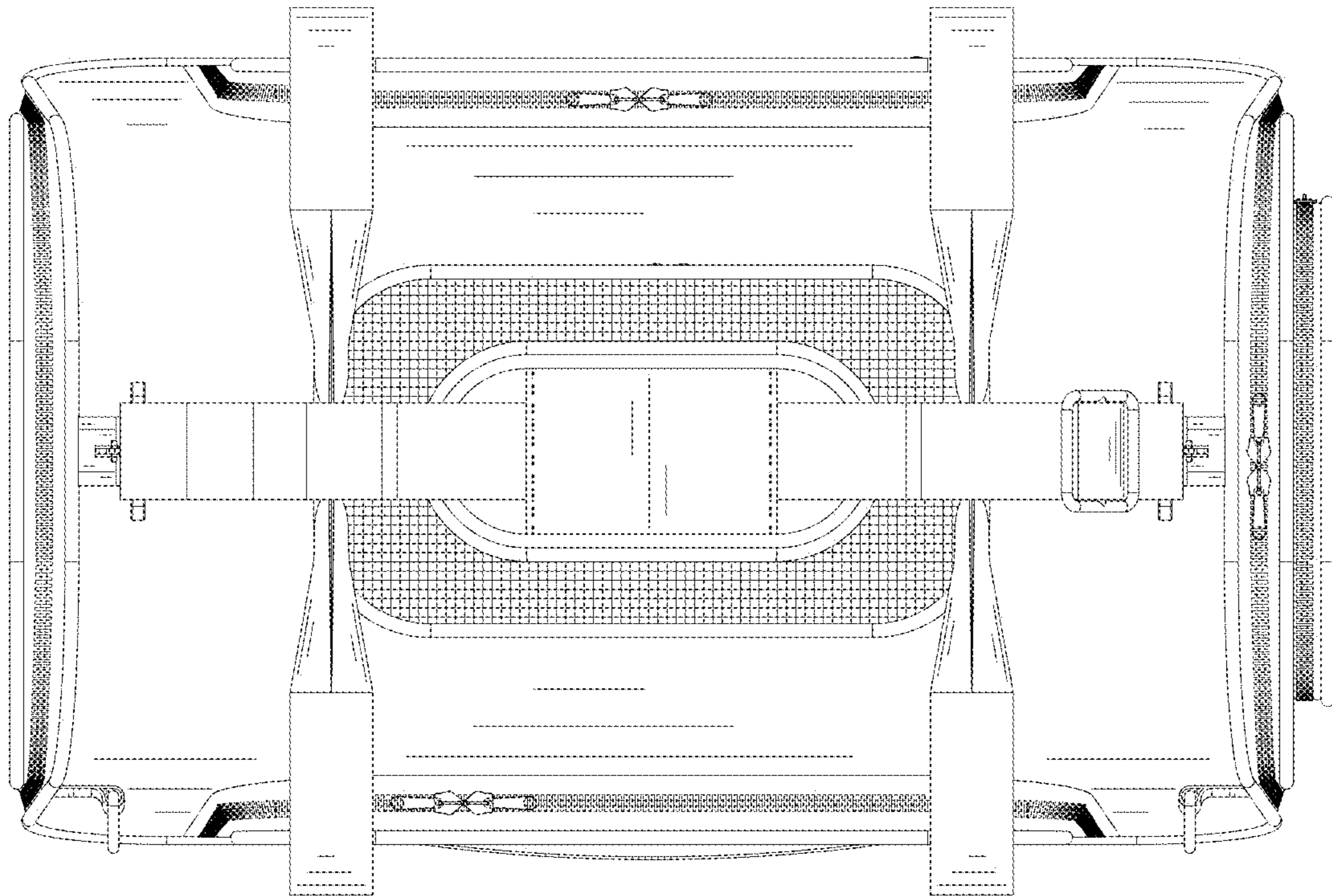


FIG. 5

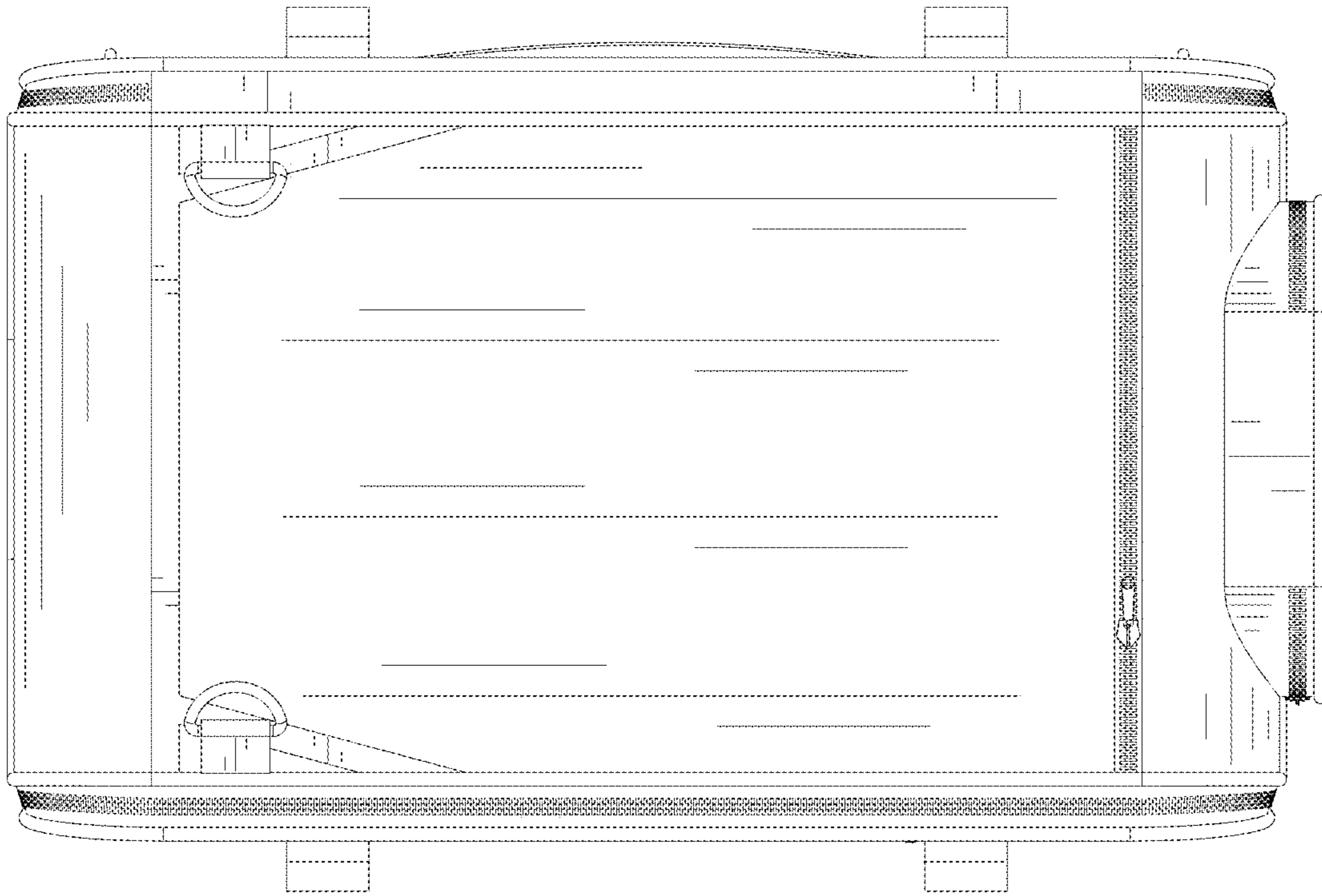


FIG. 6

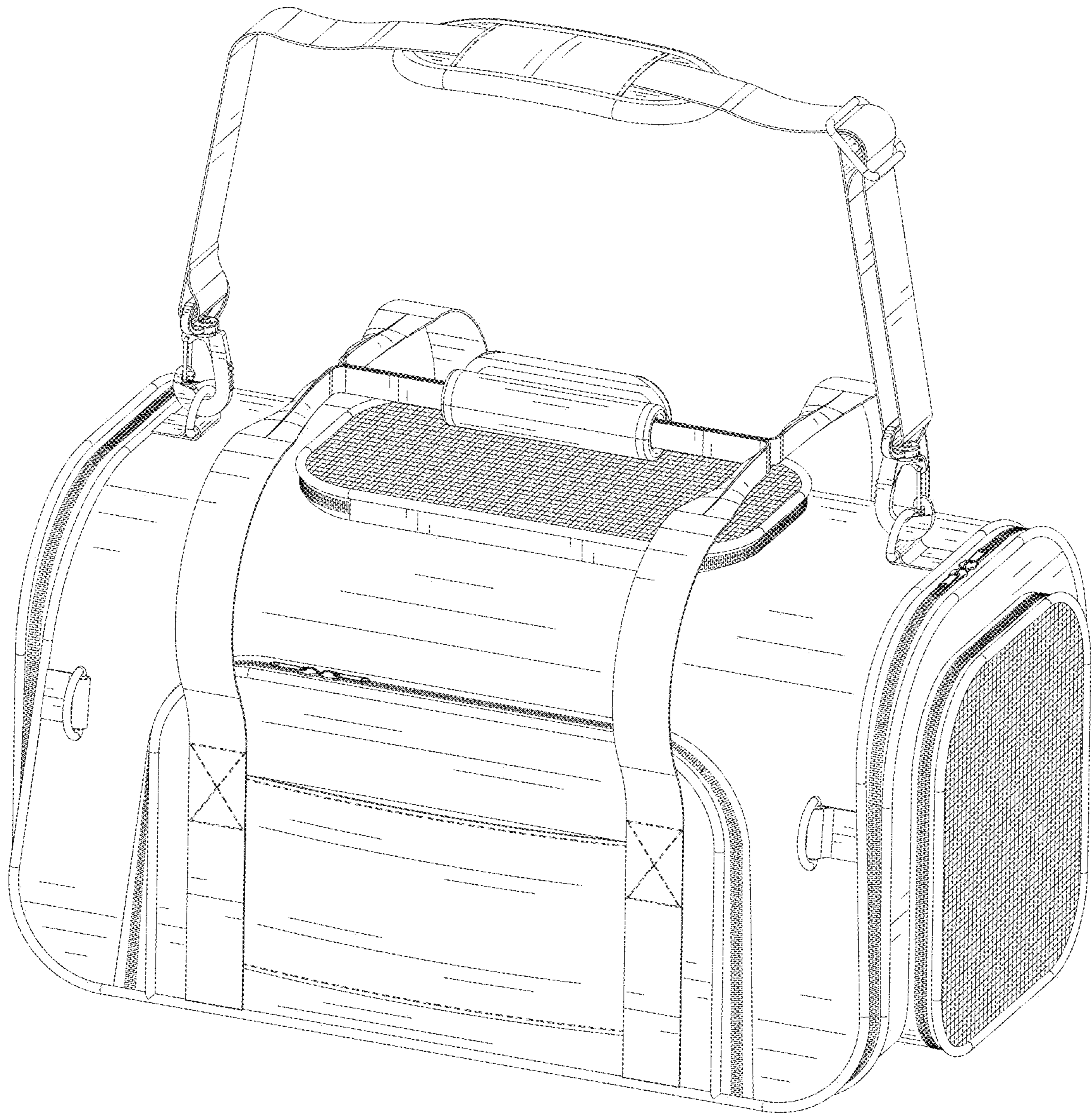


FIG. 7



FIG. 8

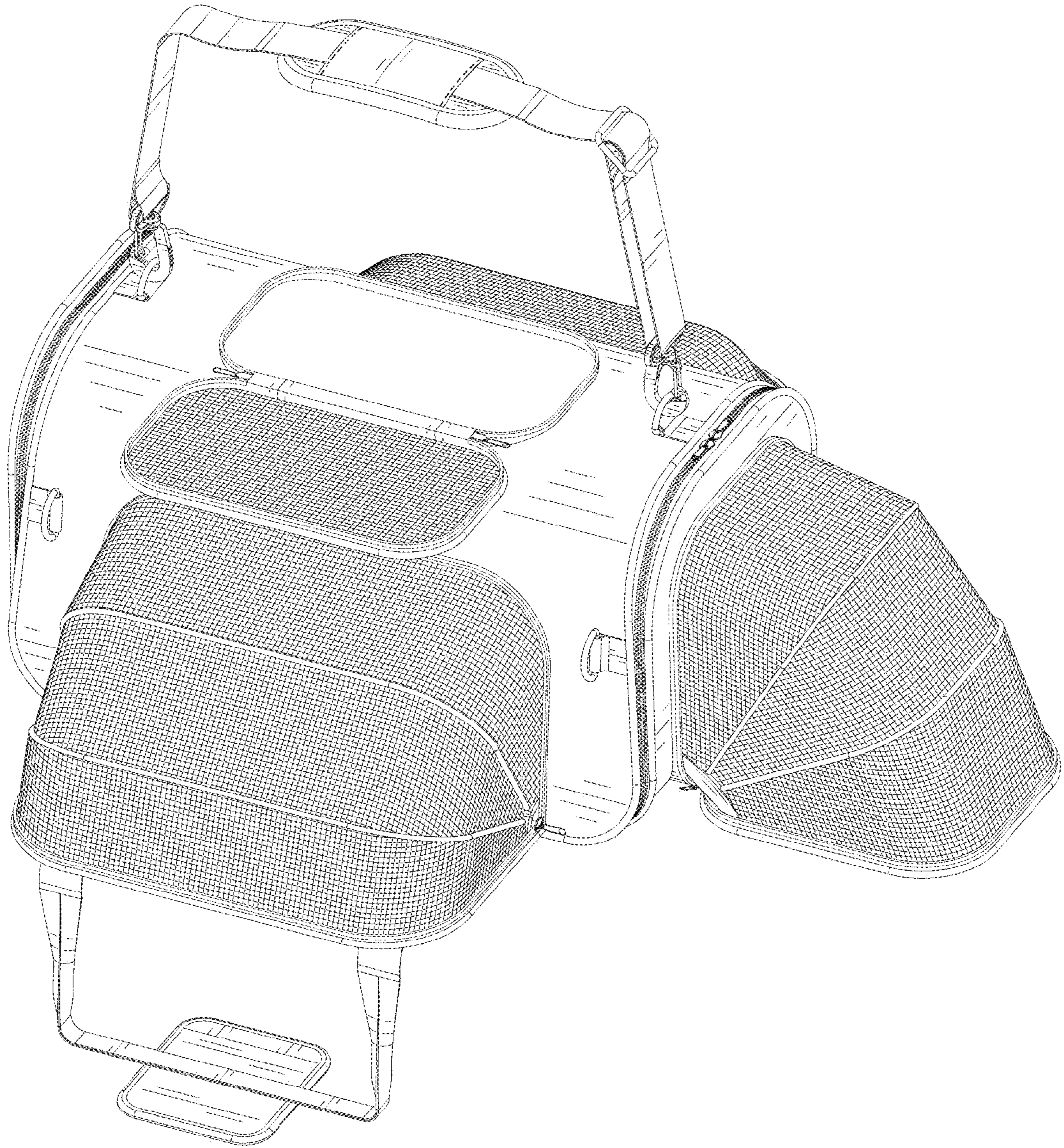


FIG. 9

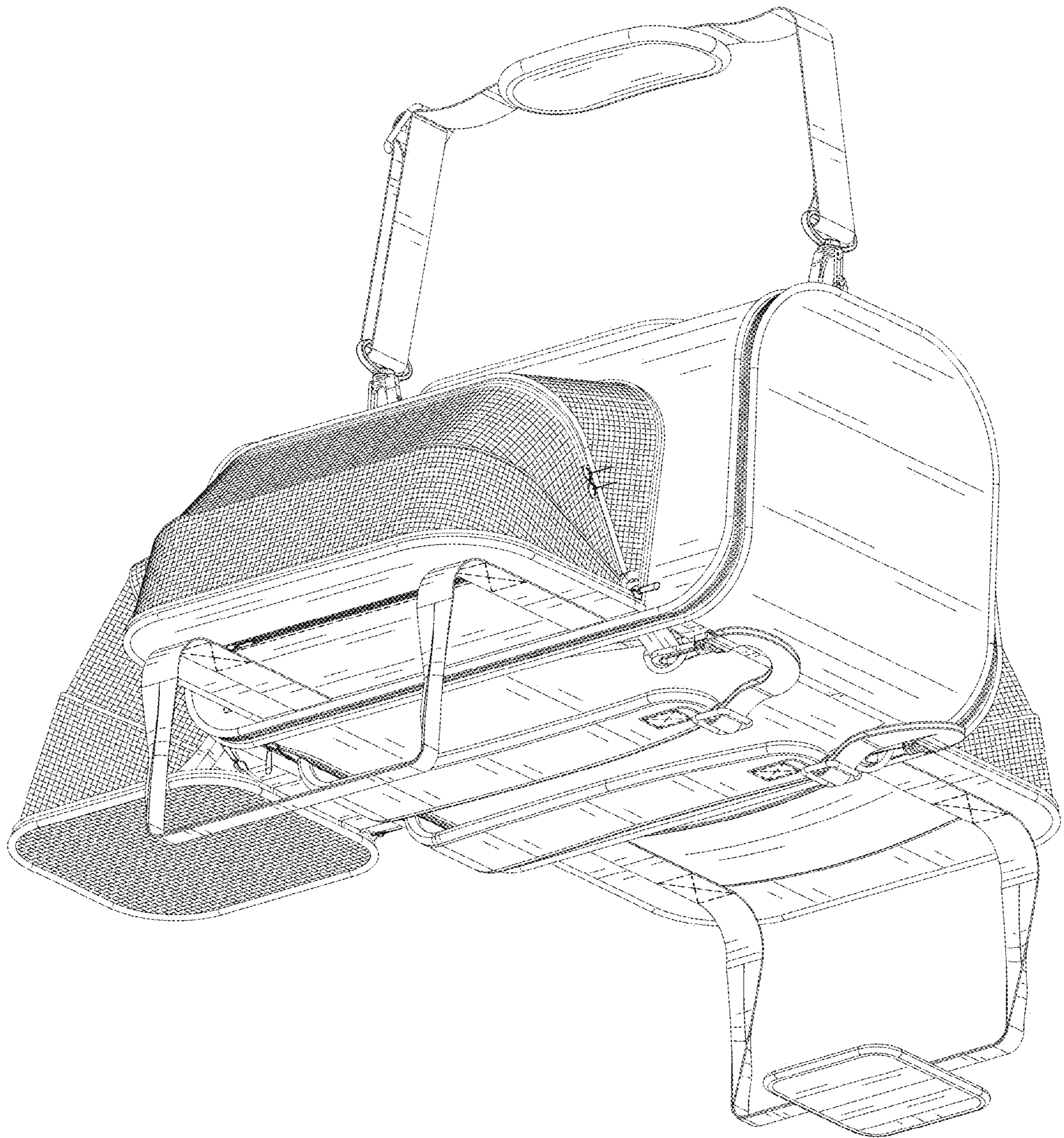


FIG. 10