



US00D968714S

(12) **United States Design Patent**
Erdmann

(10) **Patent No.:** **US D968,714 S**

(45) **Date of Patent:** **** *Nov. 1, 2022**

(54) **RESCUE BOX**

(71) Applicant: **NeoRescue GmbH**, Unterentfelden
(CH)

(72) Inventor: **Raimund Erdmann**, Brugg (CH)

(*) Notice: This patent is subject to a terminal disclaimer.

(**) Term: **15 Years**

(21) Appl. No.: **35/509,404**

(22) Filed: **Apr. 23, 2020**

(80) **Hague Agreement Data**

Int. Filing Date: **Apr. 23, 2020**

Int. Reg. No.: **DM/208148**

Int. Reg. Date: **Apr. 23, 2020**

Int. Reg. Pub. Date: **May 22, 2020**

(30) **Foreign Application Priority Data**

Nov. 26, 2019 (CH) 145041

(51) **LOC (13) Cl.** **29-02**

(52) **U.S. Cl.**
USPC **D29/124**

(58) **Field of Classification Search**

USPC D3/201, 203.1, 203.2, 203.3, 203.6,
D3/203.7, 203.8, 272-274, 276, 279-284,
D3/286, 288, 290-297, 315; D29/124;
D24/163, 167, 193, 231

CPC E21F 11/00
See application file for complete search history.

(56) **References Cited**

U.S. PATENT DOCUMENTS

D620,708 S * 8/2010 Sanz D3/276
D644,437 S * 9/2011 Lintula D3/294

D647,300 S * 10/2011 Shitrit D3/281
D649,349 S * 11/2011 Chen D3/276
D709,697 S * 7/2014 Brunner D3/281
D710,099 S * 8/2014 Horovitz D3/279
D710,100 S * 8/2014 Brunner D3/279
D744,750 S * 12/2015 Sabbag D3/281
D811,744 S * 3/2018 Ballou D3/279
D866,967 S * 11/2019 Meng D3/294
D873,010 S * 1/2020 Feng D3/281
D882,949 S * 5/2020 Wang D3/283

(Continued)

OTHER PUBLICATIONS

Neo Rescue. Innovativer Lebensretter für Babys. Feb. 2020. <https://www.neorescue.swiss/wp-content/uploads/2020/05/Neo-Rescue.pdf> (Year: 2020).*

(Continued)

Primary Examiner — Darcey E Gottschalk

(57) **CLAIM**

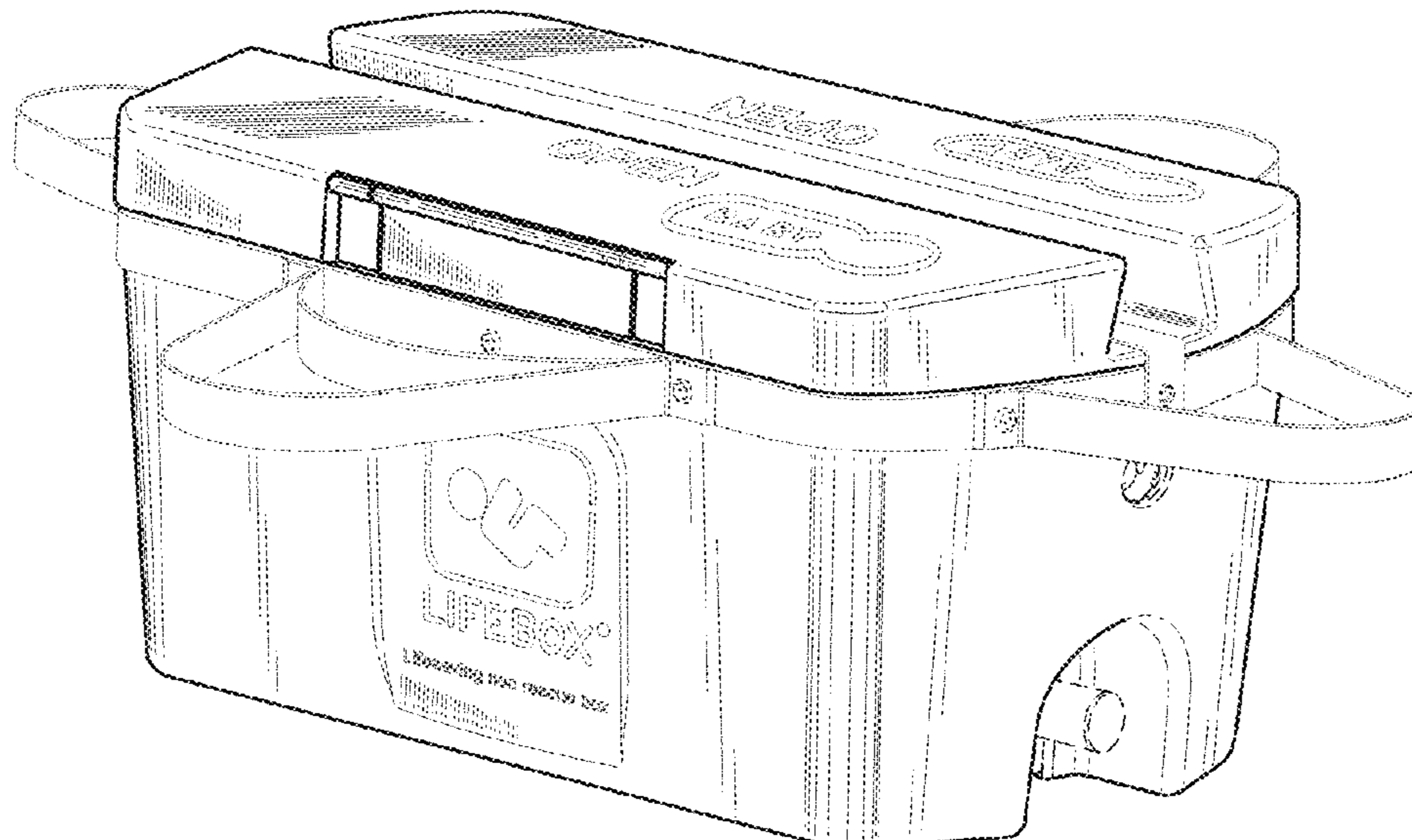
The ornamental design for a rescue box, as shown and described.

DESCRIPTION

1. Rescue box
FIG. 1.1 is a perspective view of a rescue box;
FIG. 1.2 is a front view of the rescue box shown in FIG. 1.1;
FIG. 1.3 is a rear view of the rescue box shown in FIG. 1.1;
FIG. 1.4 is a left view of the rescue box shown in FIG. 1.1;
FIG. 1.5 is a right view of the rescue box shown in FIG. 1.1;
FIG. 1.6 is a top view of the rescue box shown in FIG. 1.1;
FIG. 1.7 is a bottom view of the rescue box shown in FIG. 1.1; and
FIG. 1.8 is another perspective view of the rescue box shown in FIG. 1.1.

The broken lines depict portions of the rescue box that form no part of the claim.

1 Claim, 8 Drawing Sheets



(56)

References Cited

U.S. PATENT DOCUMENTS

D882,950 S * 5/2020 Austin D3/294
D882,951 S * 5/2020 Austin D3/294

OTHER PUBLICATIONS

Pharmaceutical Networking. Erdmann Design hosts Reflexion workshop on Human-centered Design. Jul. 21, 2020. <https://www.pharmaceutical-networking.com/erdmann-design-hosts-human-centered-design-workshop/> (Year: 2020).*

* cited by examiner

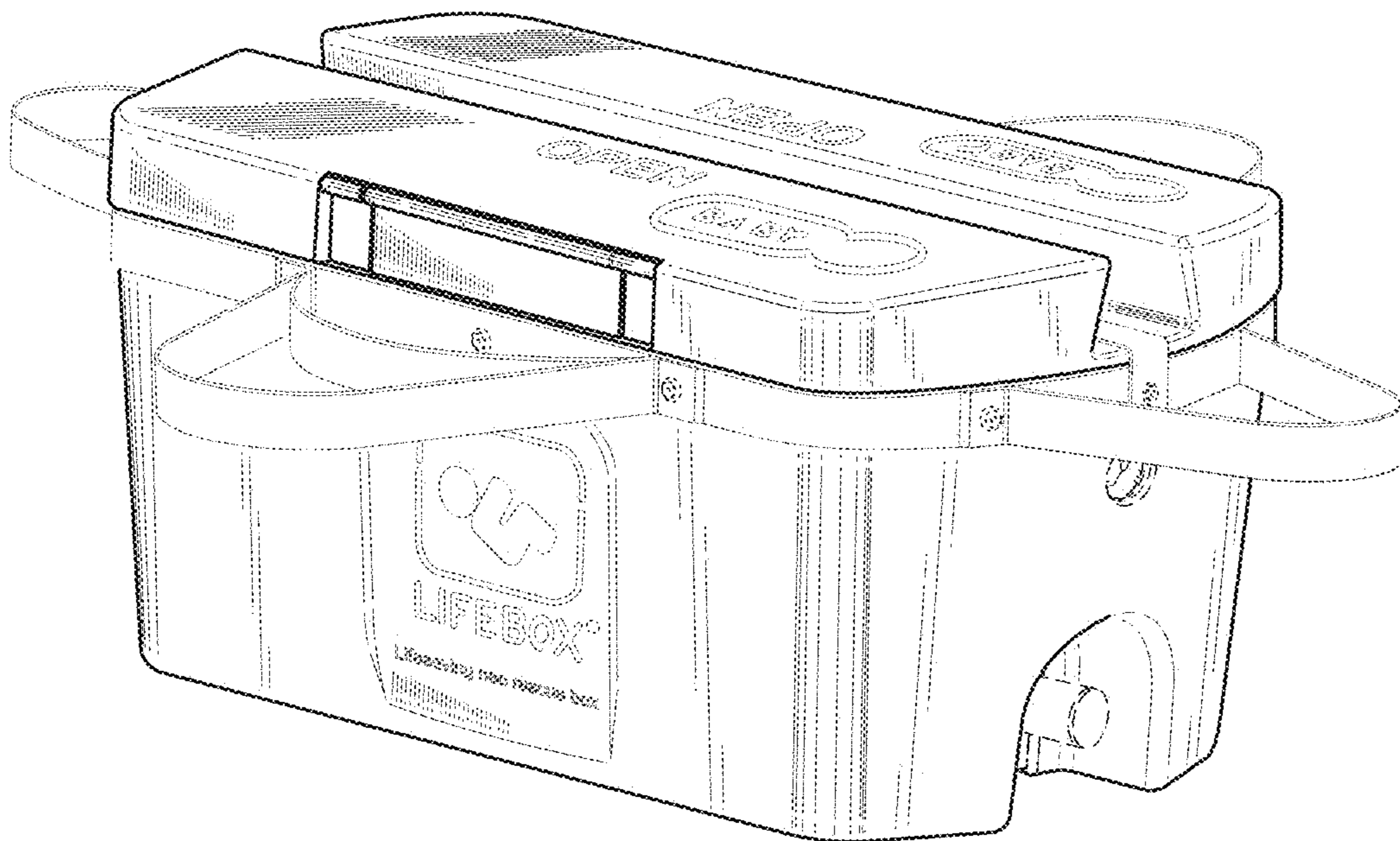


FIG 1.1

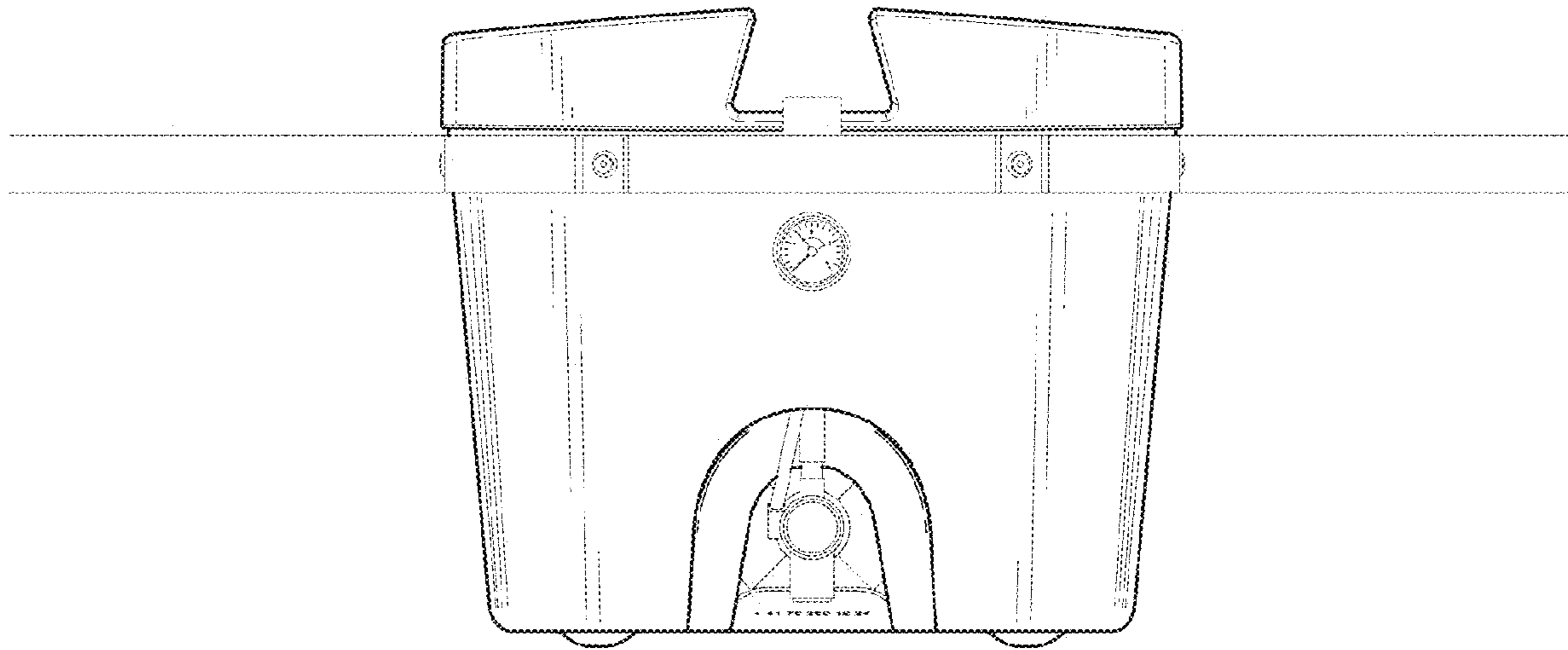


FIG 1.2

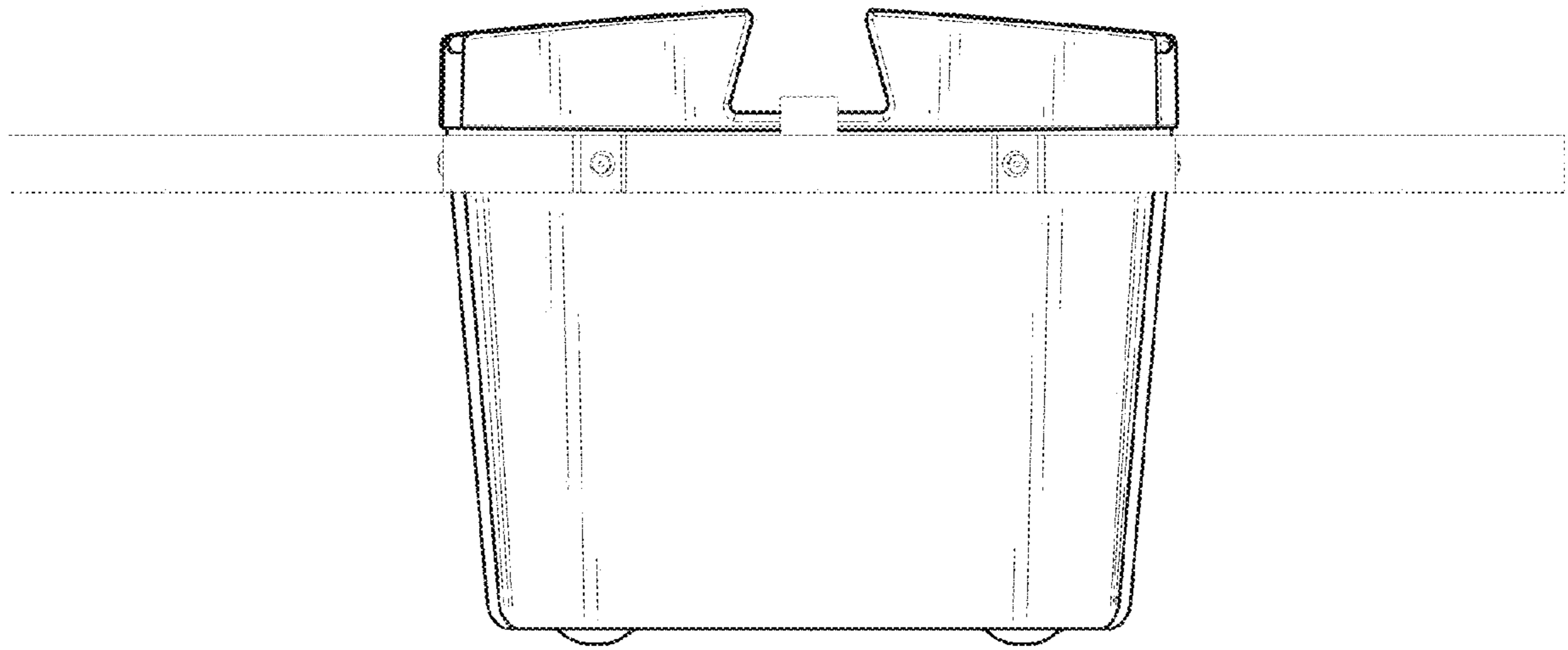


FIG. 1.3

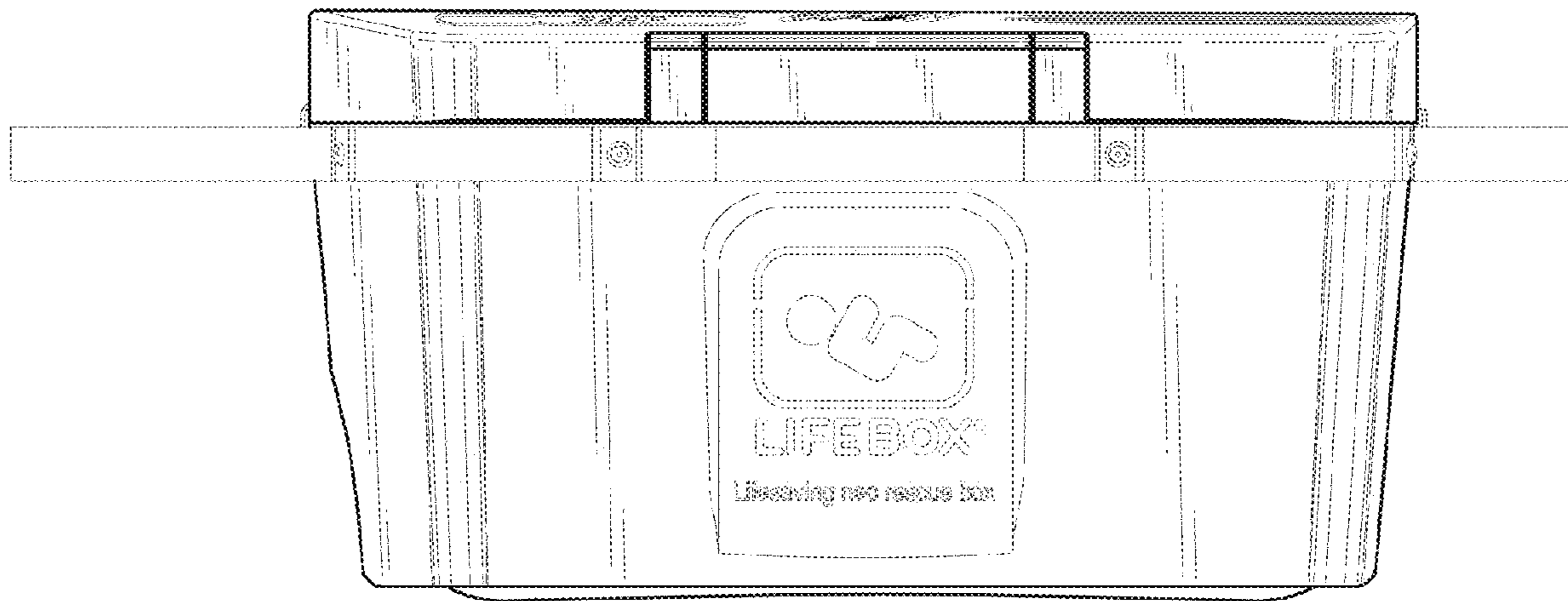


FIG. 1.4

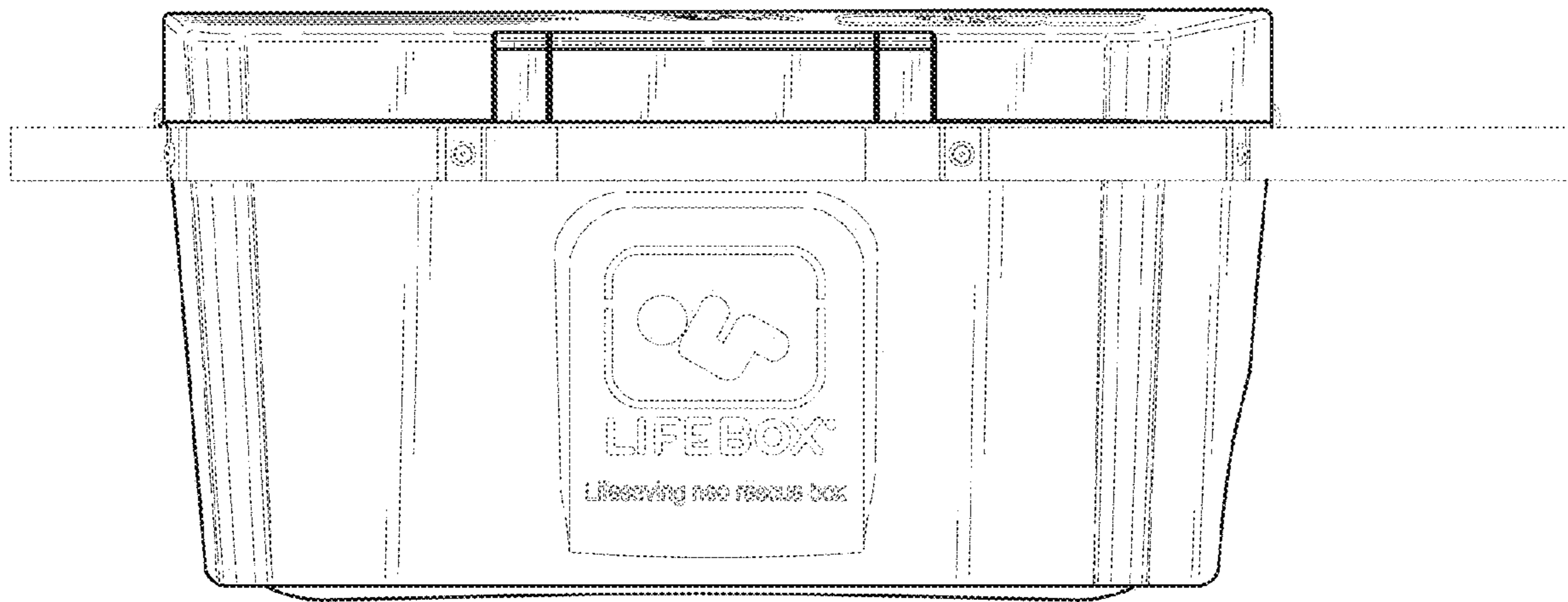


FIG. 1.5

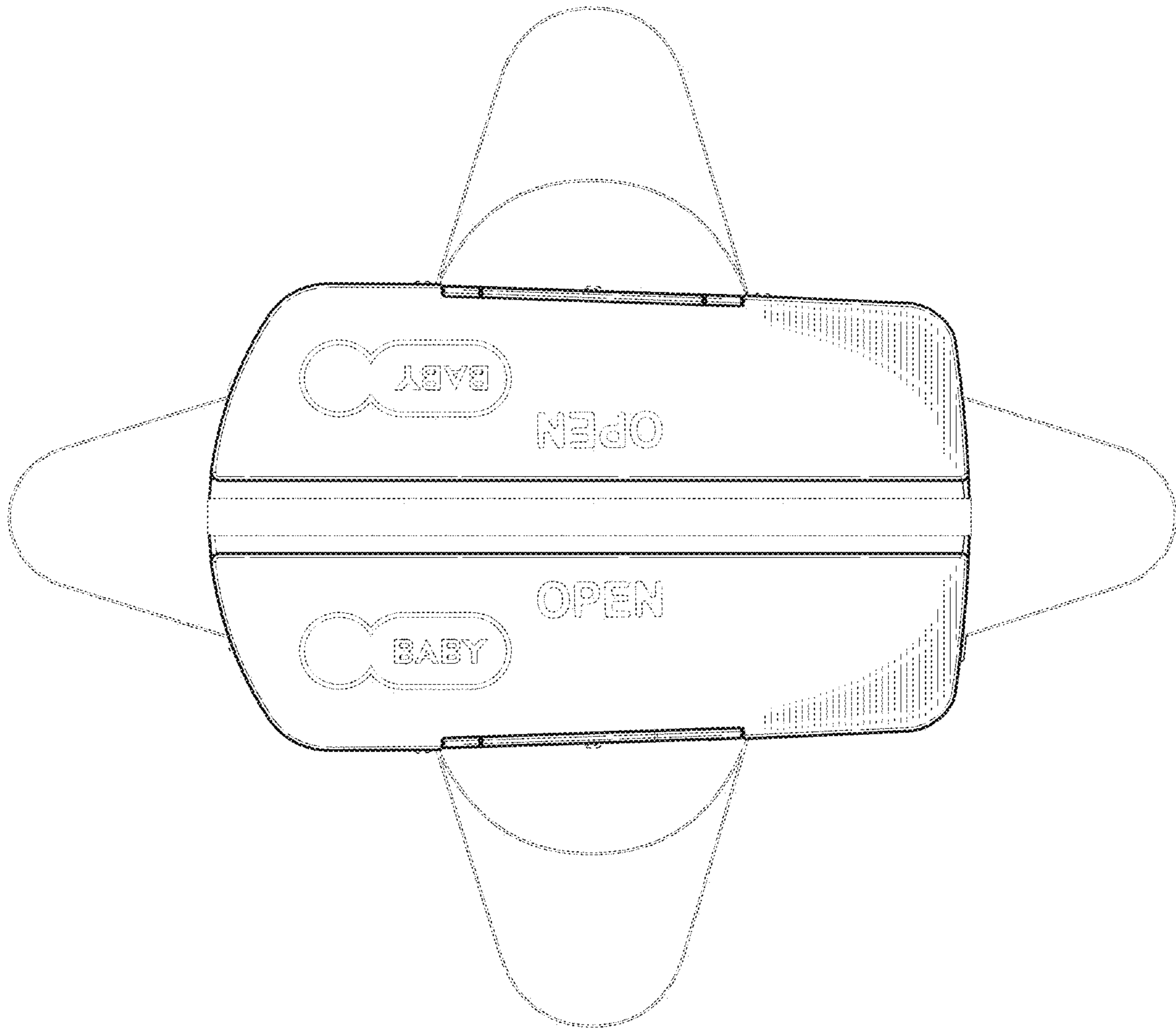


FIG. 1.6

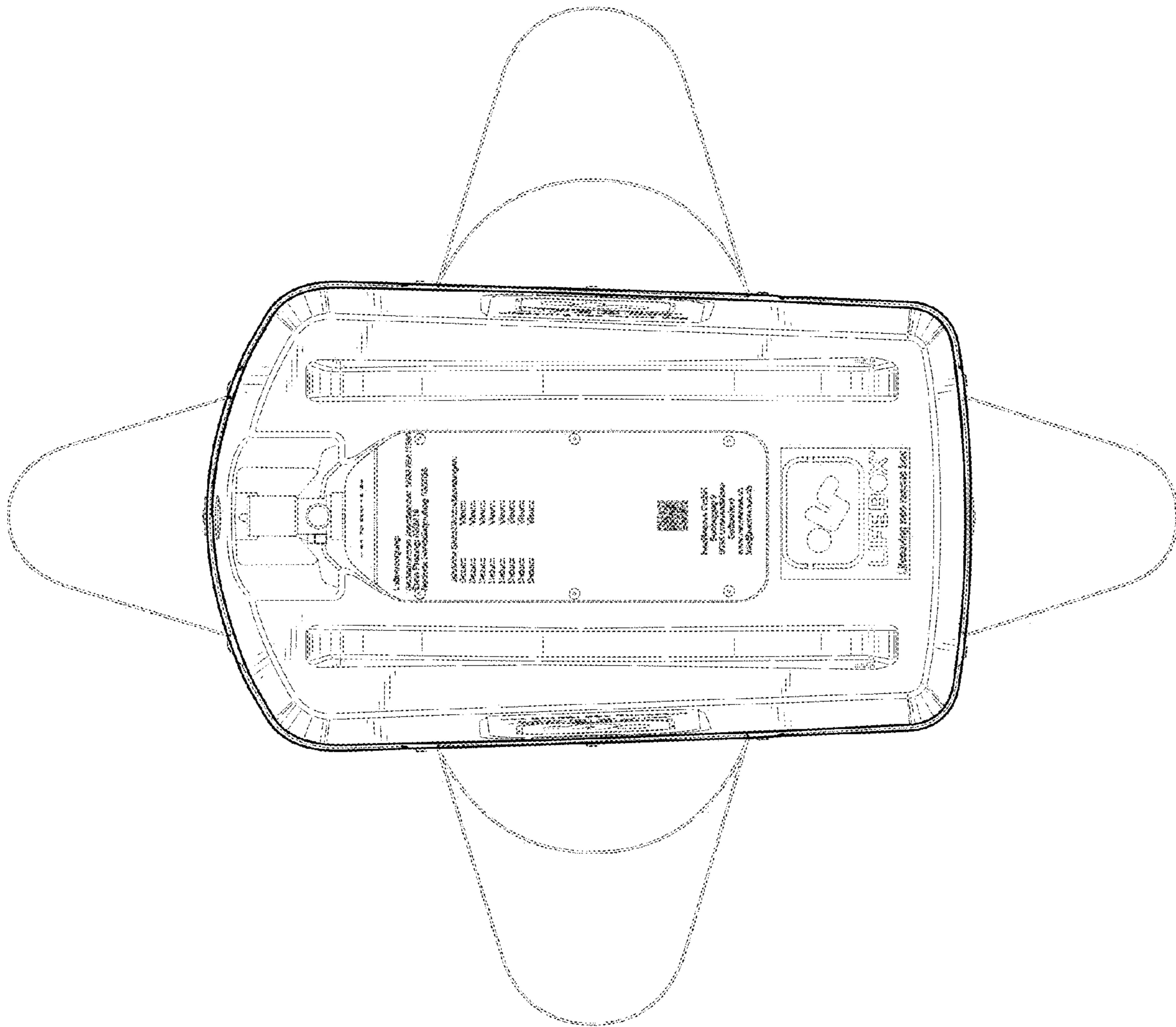


FIG. 1.7

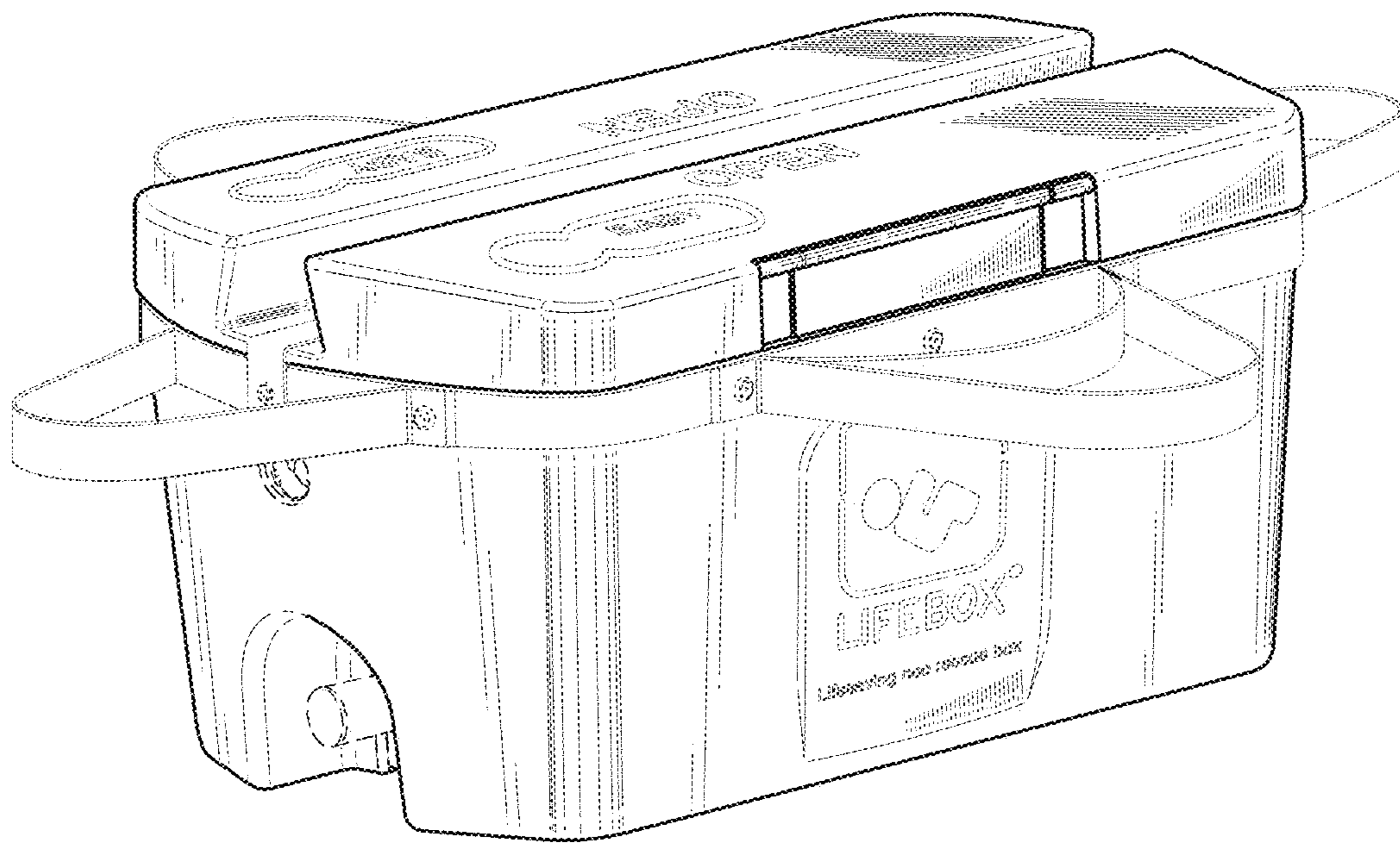


FIG. 1.8