



US00D968712S

(12) **United States Design Patent** (10) **Patent No.:** **US D968,712 S**
Beard et al. (45) **Date of Patent:** **** Nov. 1, 2022**

(54) **FILTER FOR BREATHING MASK**

FOREIGN PATENT DOCUMENTS

(71) Applicant: **CLEANSPACE IP PTY LTD**, St Leonards (AU)

EM 008510580-0001 * 5/2021
JP D1657245 * 4/2021

(72) Inventors: **Jonah Beard**, Palm Beach (AU); **John Michael Snow**, Killarney Heights (AU); **Oliver Henry William Williams**, Clontarf (AU); **Dan Kao**, Northbridge (AU); **Alexander Virr**, Mangrove Mountain (AU); **Damian Charles Johnson**, Forestville (AU)

OTHER PUBLICATIONS

RANKSING_ Strong-AX Reusable Dust Half Respirator, available in Amazon.com, date first available May 12, 2020 [online], [site visited Jun. 3, 2022], Available from the internet URL: <https://www.amazon.com/RANKSING-Strong-AX-Respirator-Replaceable-Protection/dp/B088HH9GBL> (Year: 2020).*

(Continued)

(73) Assignee: **CLEANSPACE IP PTY LTD**, St Leonards (AU)

Primary Examiner — Jennifer L Rempfer
Assistant Examiner — Elizabeth Anne Glassberg

(**) Term: **15 Years**

(74) *Attorney, Agent, or Firm* — Oliff PLC

(21) Appl. No.: **29/757,722**

(57) **CLAIM**

The ornamental design for a filter for breathing mask, as shown and described.

(22) Filed: **Nov. 9, 2020**

DESCRIPTION

(51) **LOC (13) Cl.** **29-02**

(52) **U.S. Cl.**
USPC **D29/108**

(58) **Field of Classification Search**
USPC D2/870, 872, 878; D29/100, 102, 103, D29/104, 105, 106, 107, 108, 110, 122
CPC .. A41D 13/11; A42B 3/04; A42B 3/18; A42B 3/20; A42B 3/185; A42B 3/226; A42B 3/0406; A63B 71/08; A63B 71/10; A63B 2071/105; A61F 9/06; A61F 9/029
See application file for complete search history.

FIG. 1 is a front, top, left perspective view of the filter for breathing mask, showing the new design;
FIG. 2 is a front view thereof;
FIG. 3 is a rear view thereof;
FIG. 4 is a top view thereof;
FIG. 5 is a bottom view thereof;
FIG. 6 is a left view thereof;
FIG. 7 is a right view thereof;
FIG. 8 is a rear, bottom, right perspective view thereof;
FIG. 9 is a front, top, left perspective view thereof showing three component parts separated;
FIG. 10 is a rear, bottom, right perspective view thereof showing three component parts separated; and,
FIG. 11 is a front, top, right perspective view thereof showing the claimed design attached to broken line elements that form no part of the claim.
The broken lines depict parts of the filter for breathing mask that form no part of the claimed design.

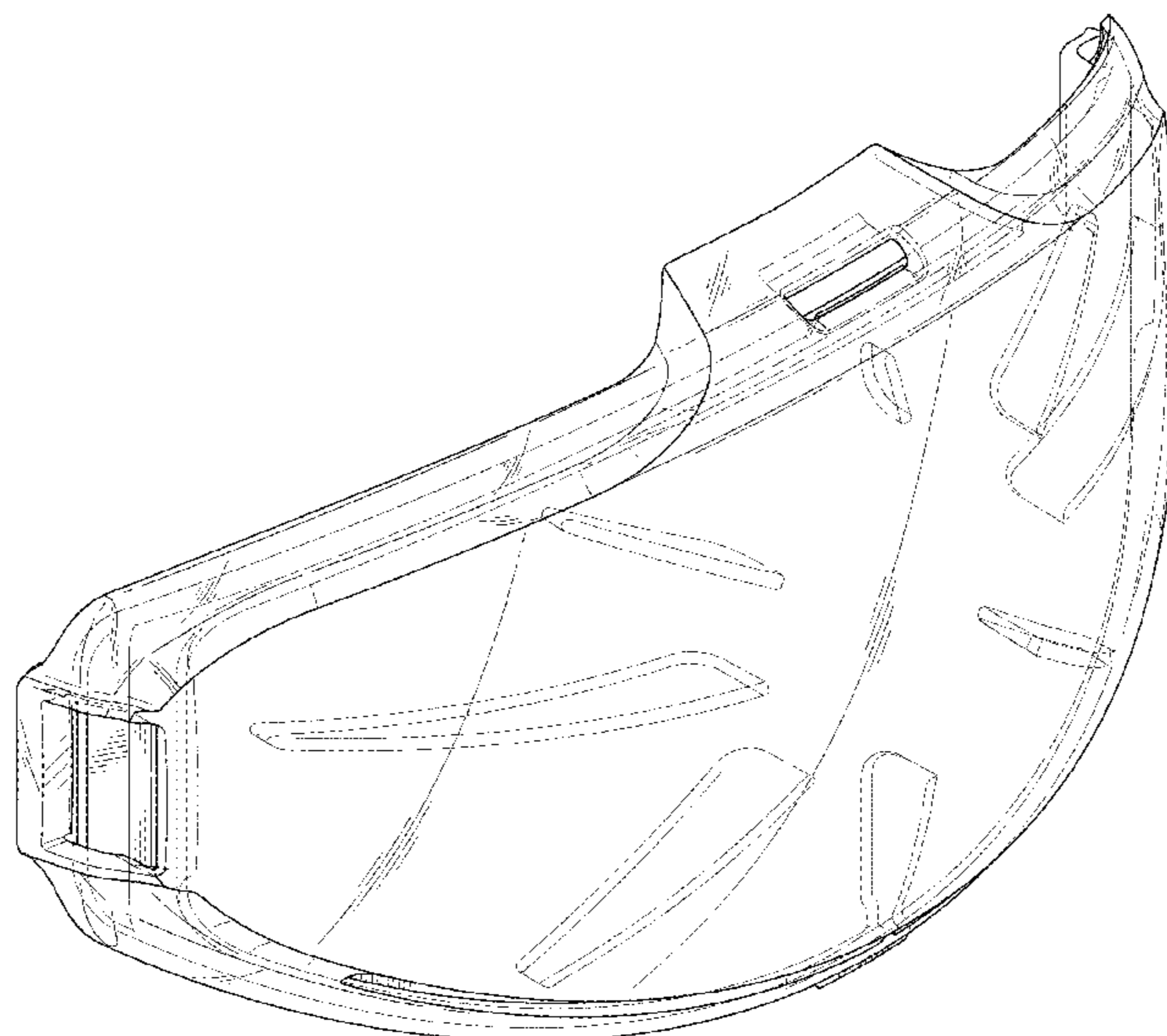
(56) **References Cited**

U.S. PATENT DOCUMENTS

D267,128 S * 12/1982 Pearce D29/108
D294,410 S * 2/1988 Montesi D24/110.4
D339,658 S * 9/1993 Lahteenmaki D24/110.1
D376,674 S * 12/1996 Kamata D29/107

(Continued)

1 Claim, 10 Drawing Sheets



(56)

References Cited

U.S. PATENT DOCUMENTS

6,161,225 A * 12/2000 Arai A42B 3/226
 2/424
 D488,226 S * 4/2004 MacDonald D24/122
 7,237,550 B1 * 7/2007 Lin A62B 18/025
 128/205.27
 D611,659 S * 3/2010 Isobe D29/122
 D636,074 S * 4/2011 Levine D29/108
 8,006,322 B1 * 8/2011 Schiebl A42B 3/205
 2/421
 D645,211 S * 9/2011 Hill D29/110
 D677,780 S * 3/2013 Choi D24/110.1
 D687,190 S * 7/2013 Isobe D29/122
 D705,994 S * 5/2014 Ryan D29/110
 D721,169 S * 1/2015 Moon A62B 18/02
 D24/110.1
 D727,570 S * 4/2015 Brett D29/108
 D795,439 S * 8/2017 Mounce D24/181

D890,916 S * 7/2020 Castiglione D24/110.2
 D893,834 S * 8/2020 Wills D2/891
 D923,775 S * 6/2021 Gilner D24/110.4
 D939,782 S * 12/2021 Bologna D29/122
 2004/0055604 A1 * 3/2004 Viner A62B 23/02
 128/206.16
 2014/0216475 A1 * 8/2014 Blomberg A62B 18/10
 128/863
 2014/0259321 A1 * 9/2014 Arnold A42B 3/225
 2/424
 2018/0295925 A1 * 10/2018 Gagliardo A42B 3/185

OTHER PUBLICATIONS

Jun. 22, 2021 Examination Report issued in Great British Design Application No. 6135996.
 Feb. 10, 2022 Notice of Preliminary Rejection in Korean Application 30-2021-0022067.

* cited by examiner

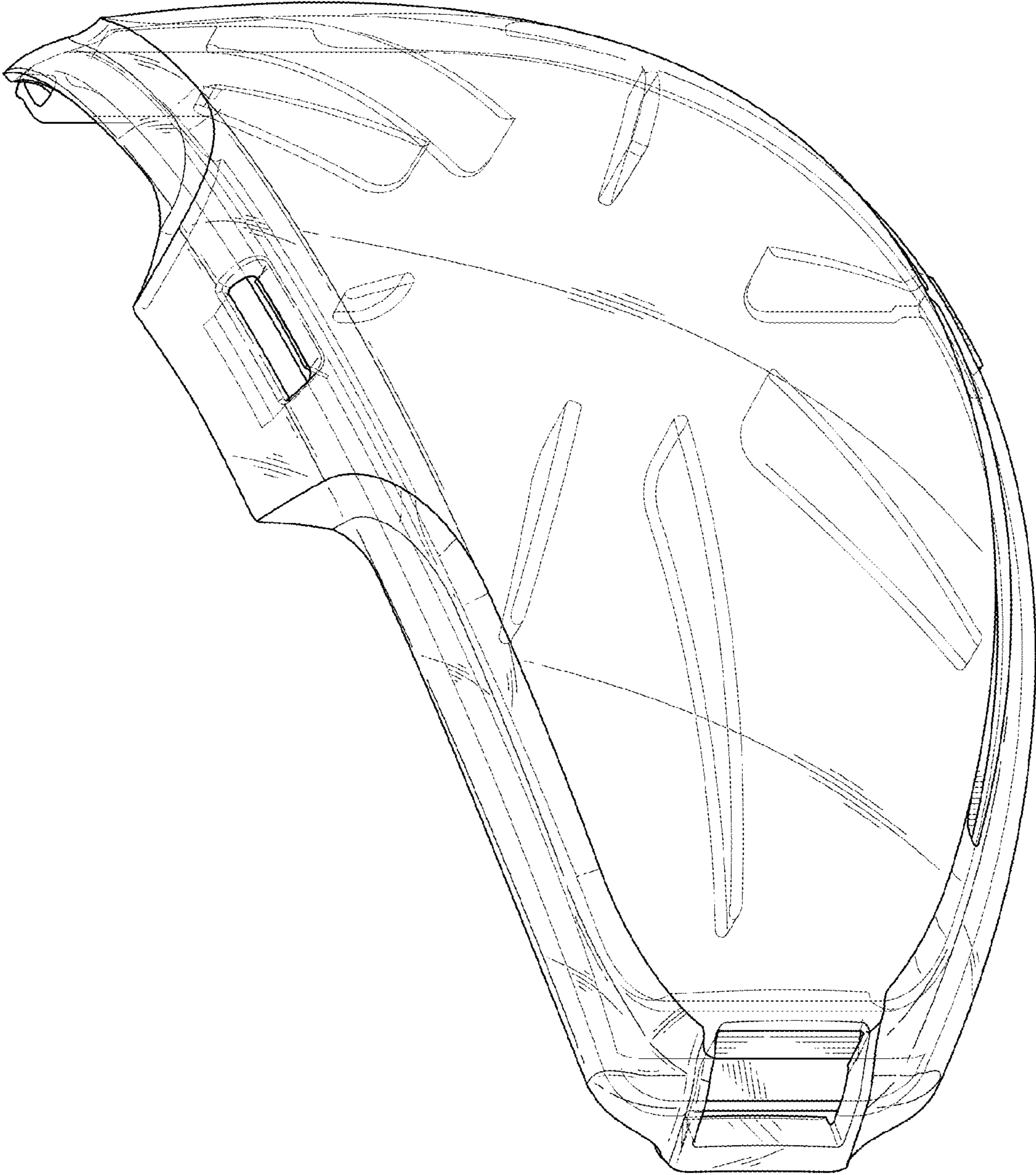


FIG. 1

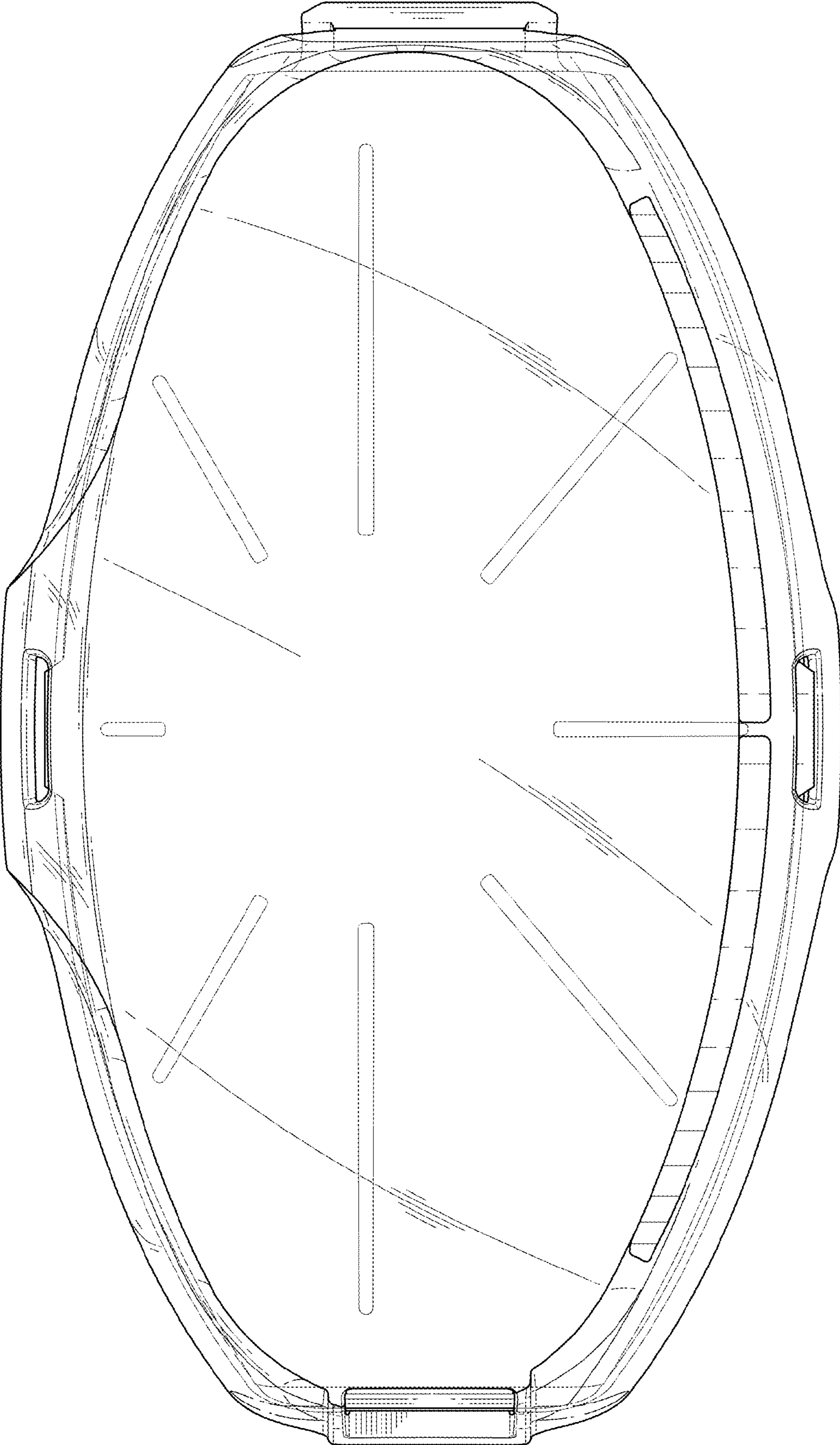


FIG. 2

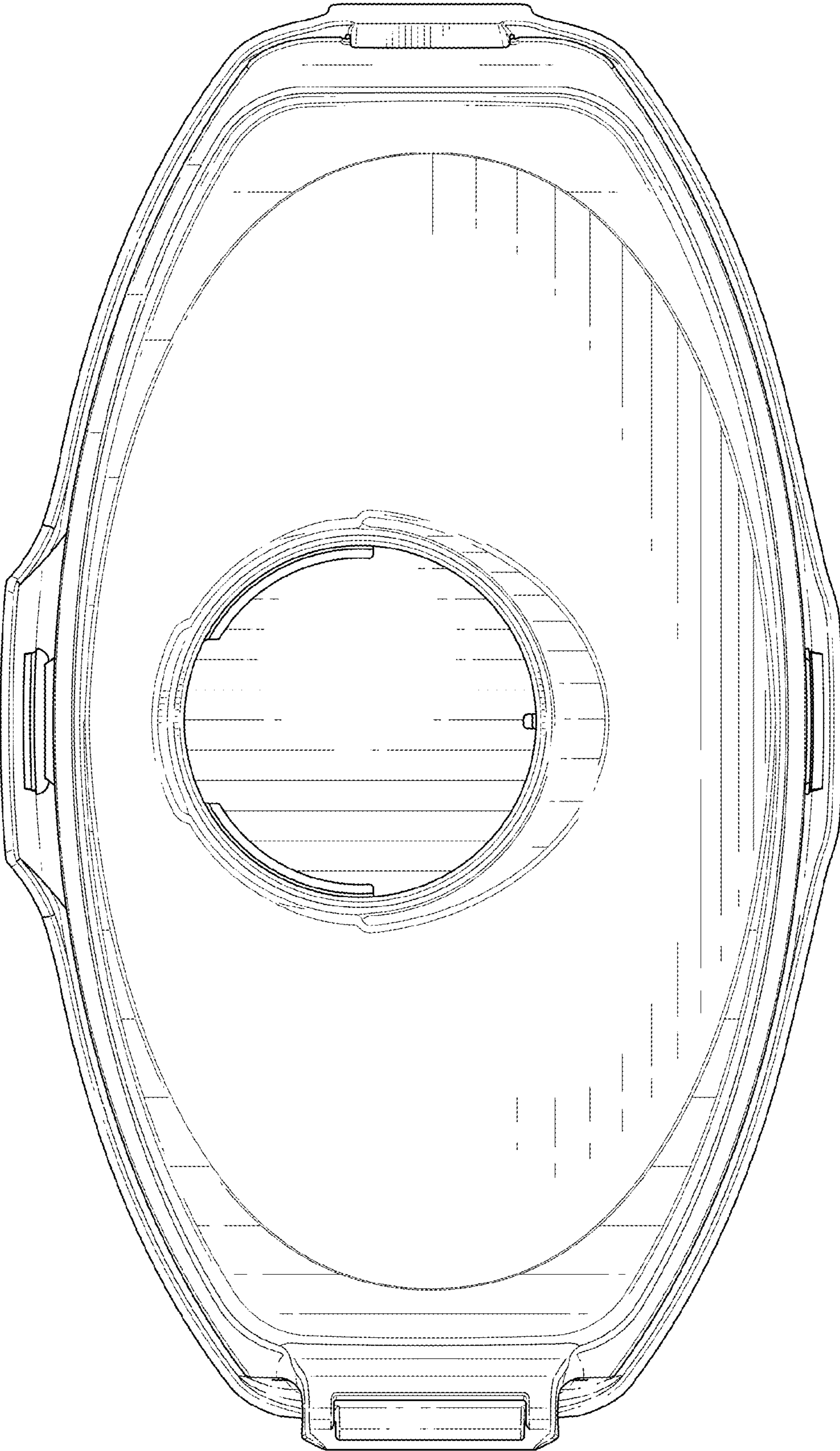


FIG. 3

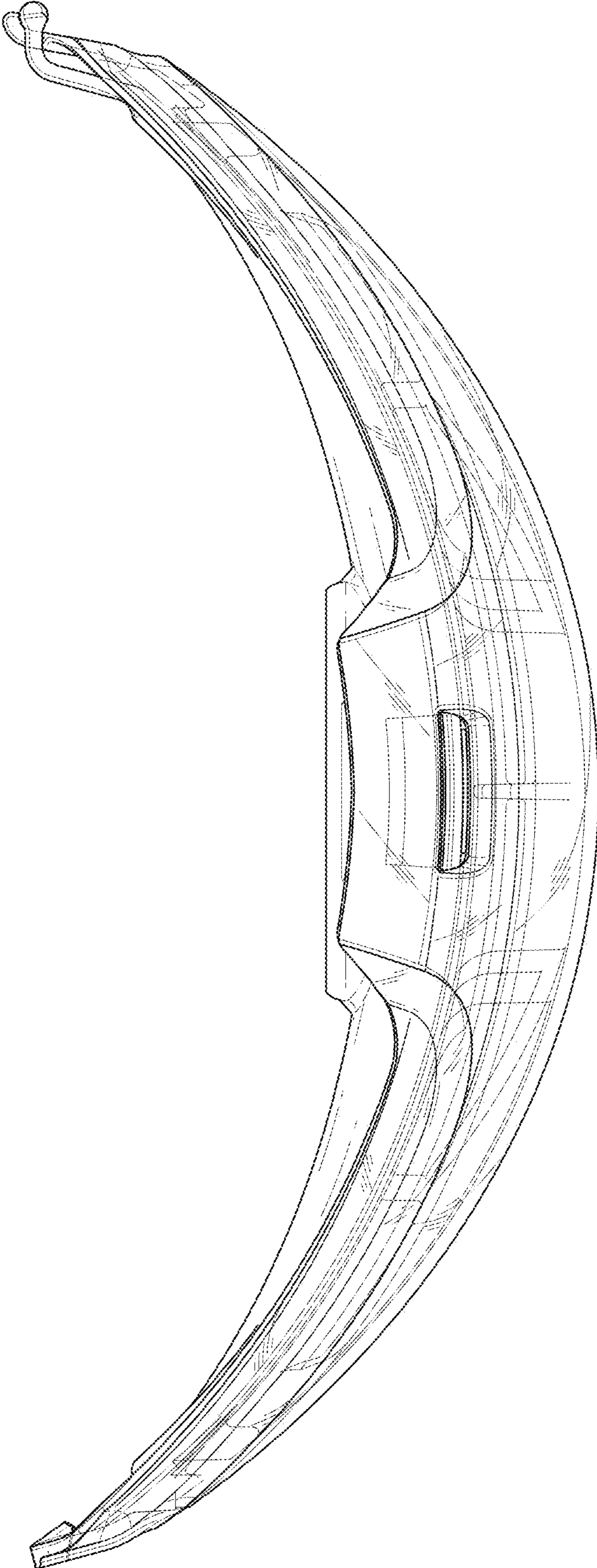


FIG. 4

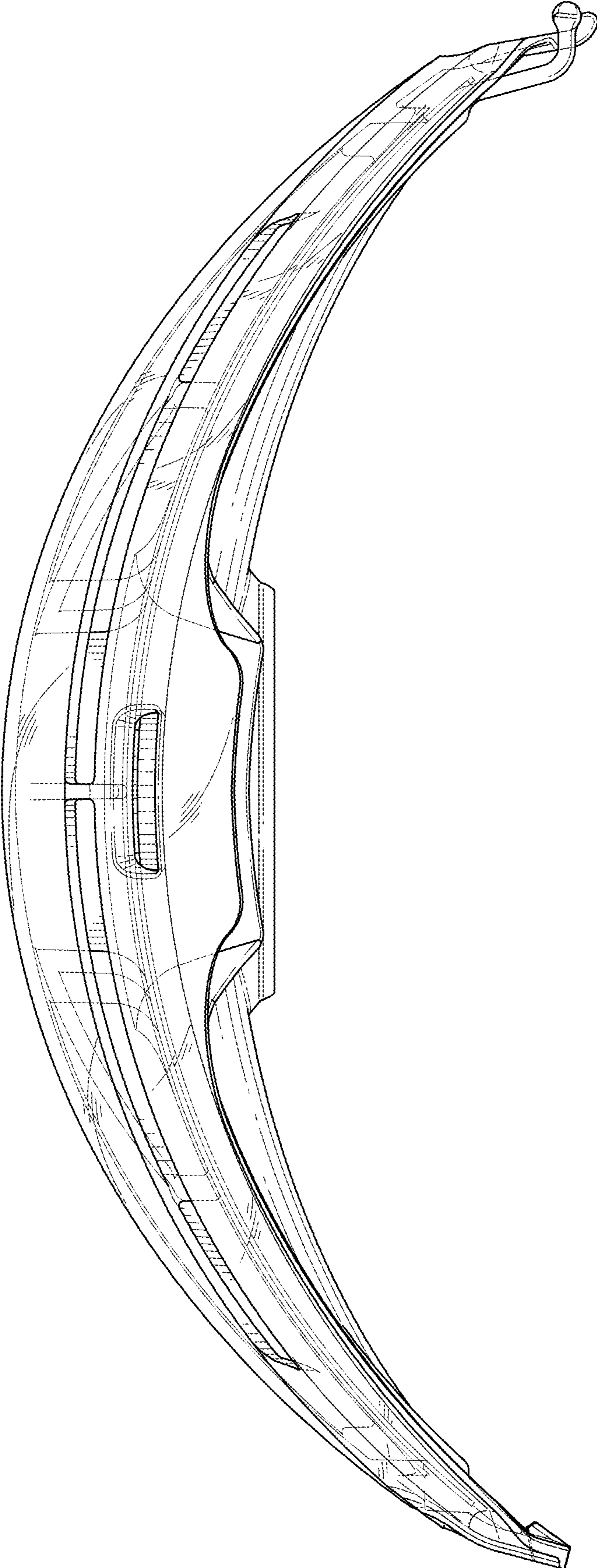


FIG. 5

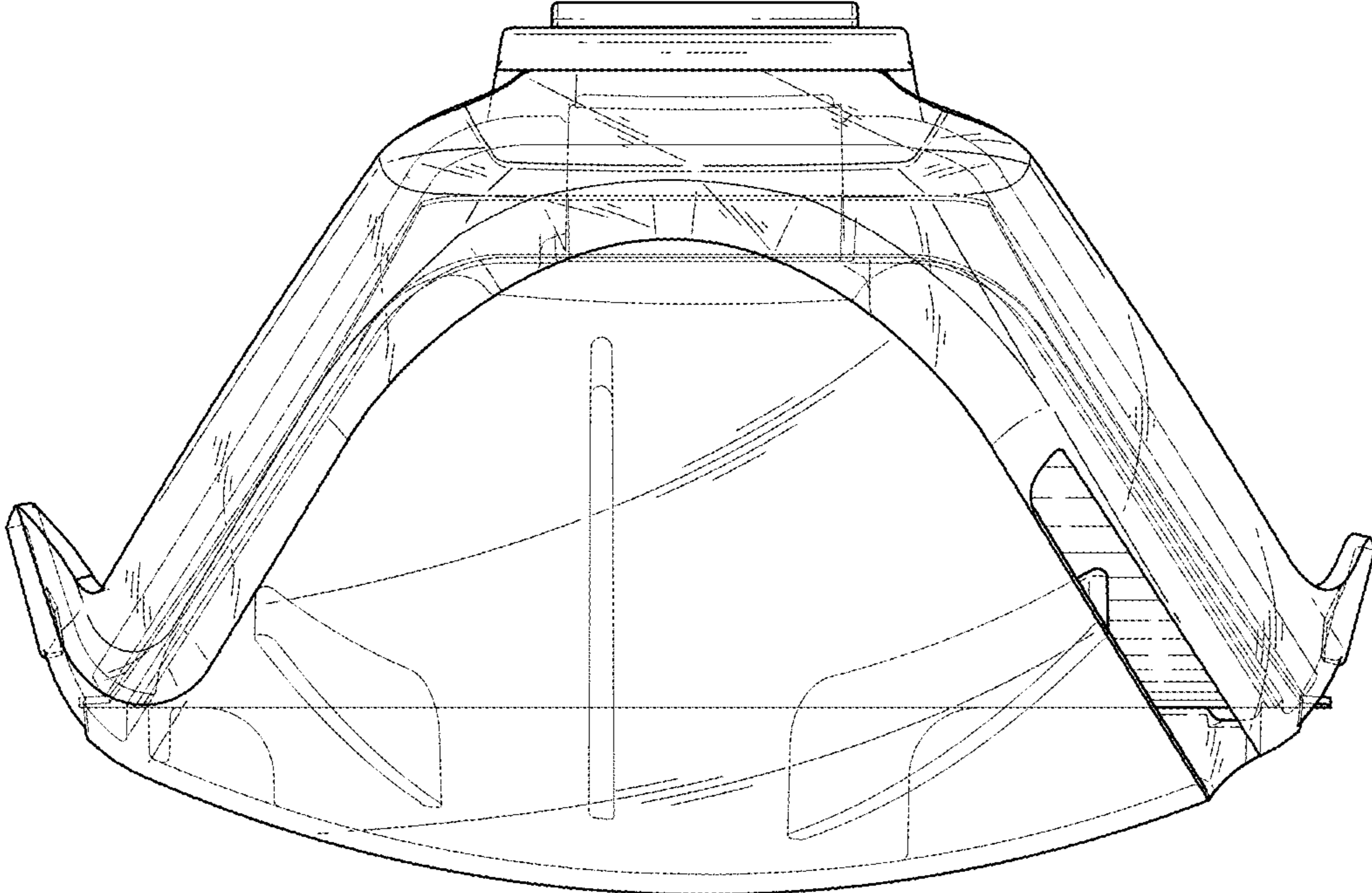


FIG. 7

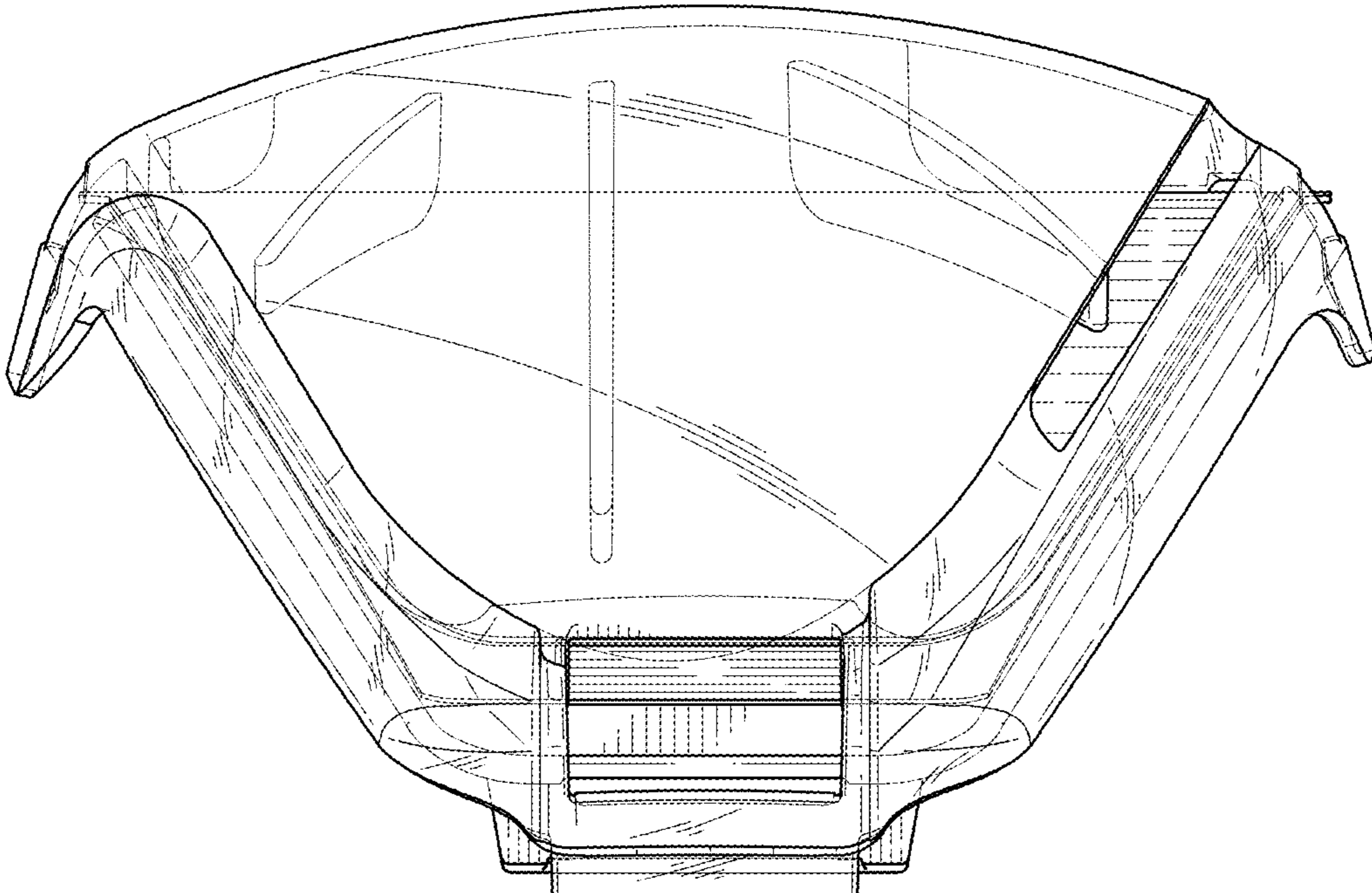


FIG. 6

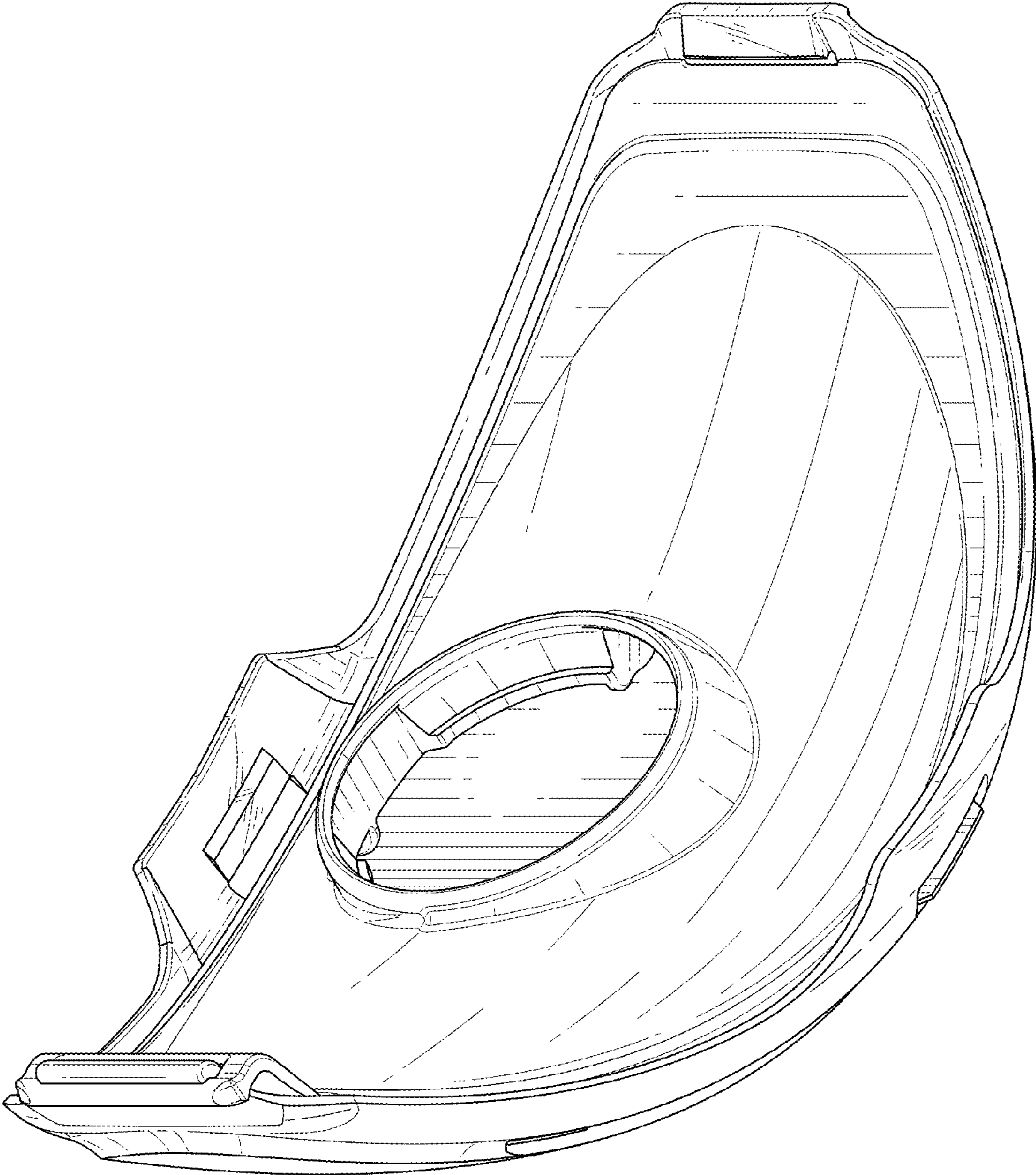


FIG. 8

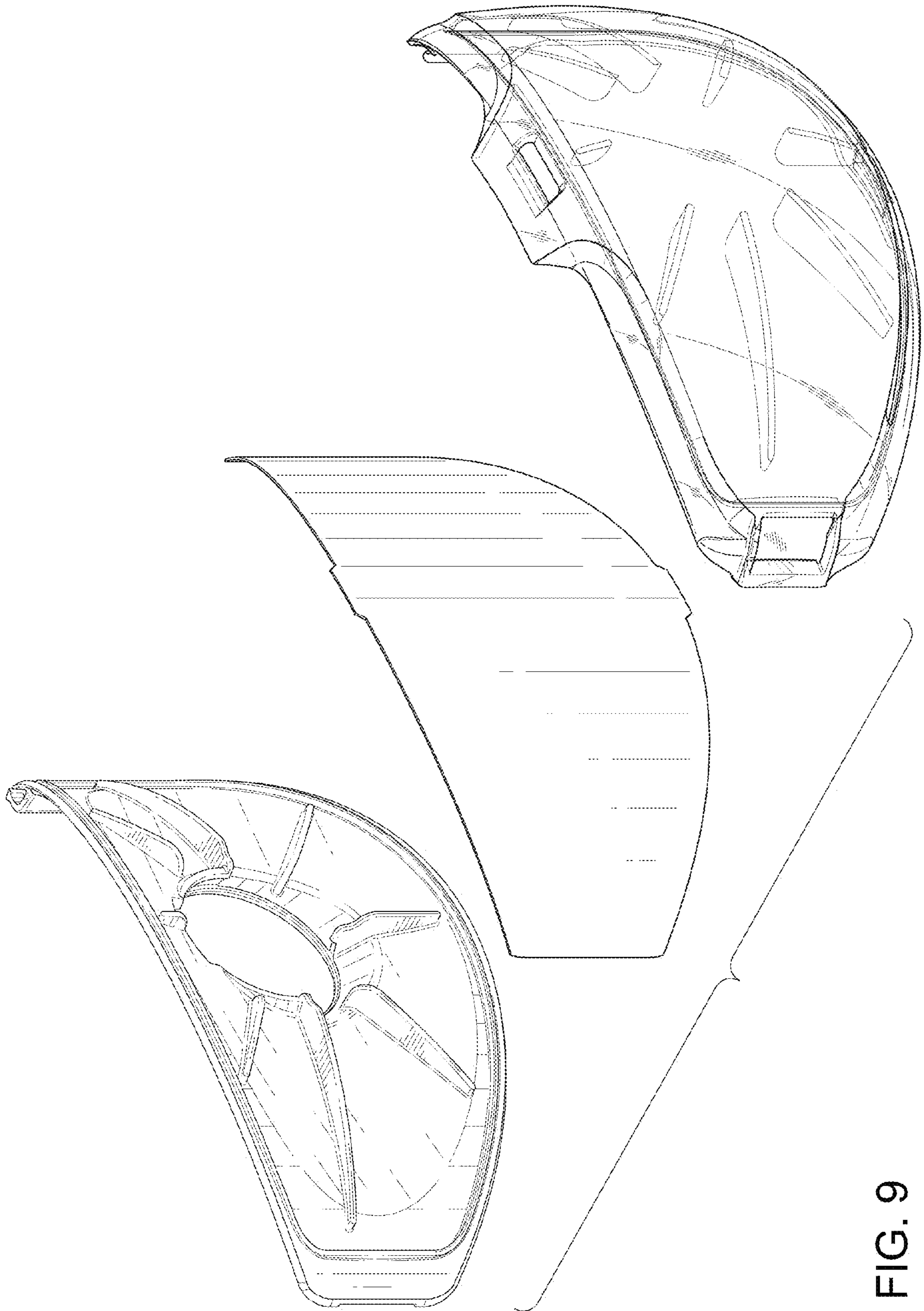


FIG. 9

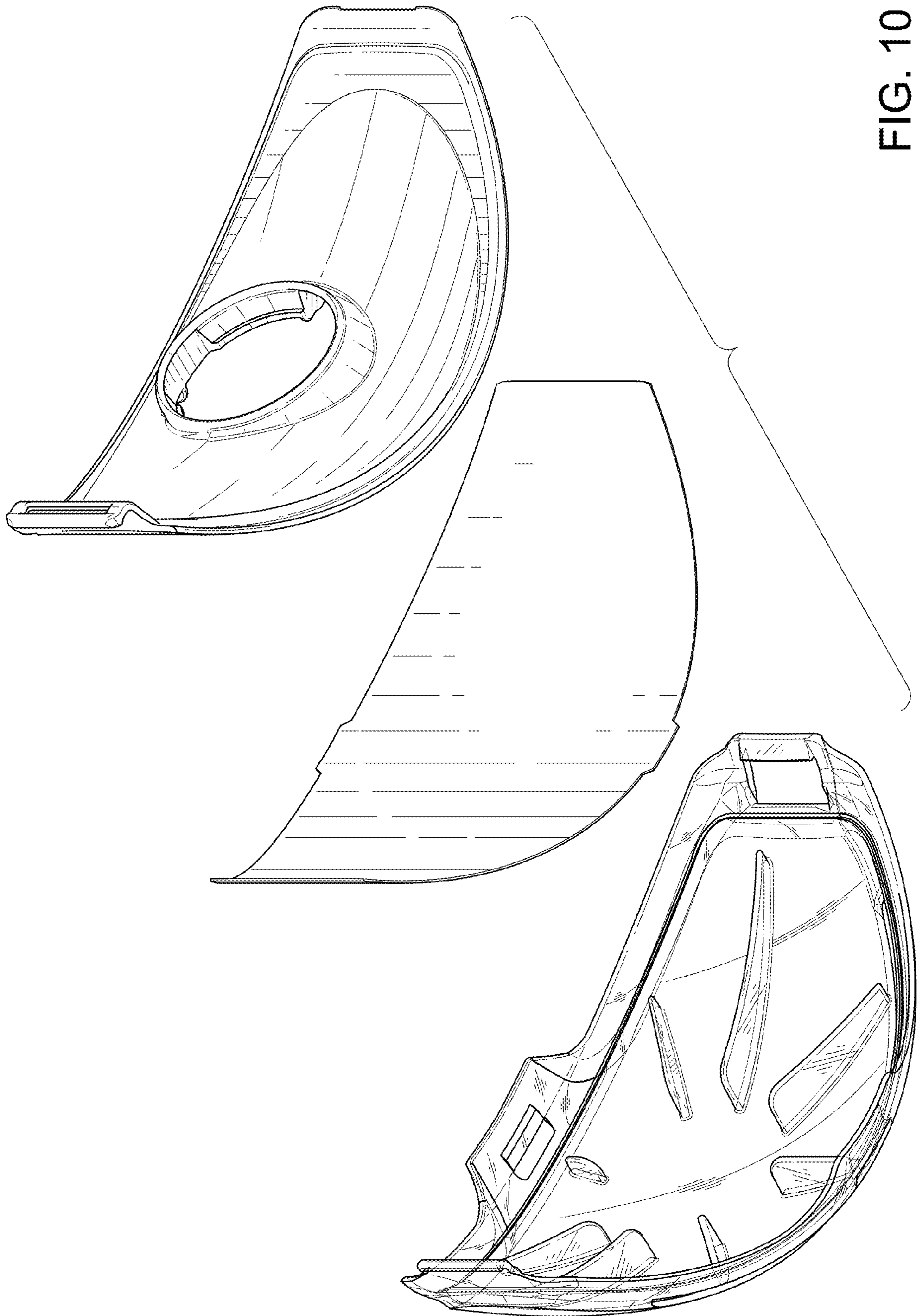


FIG. 10

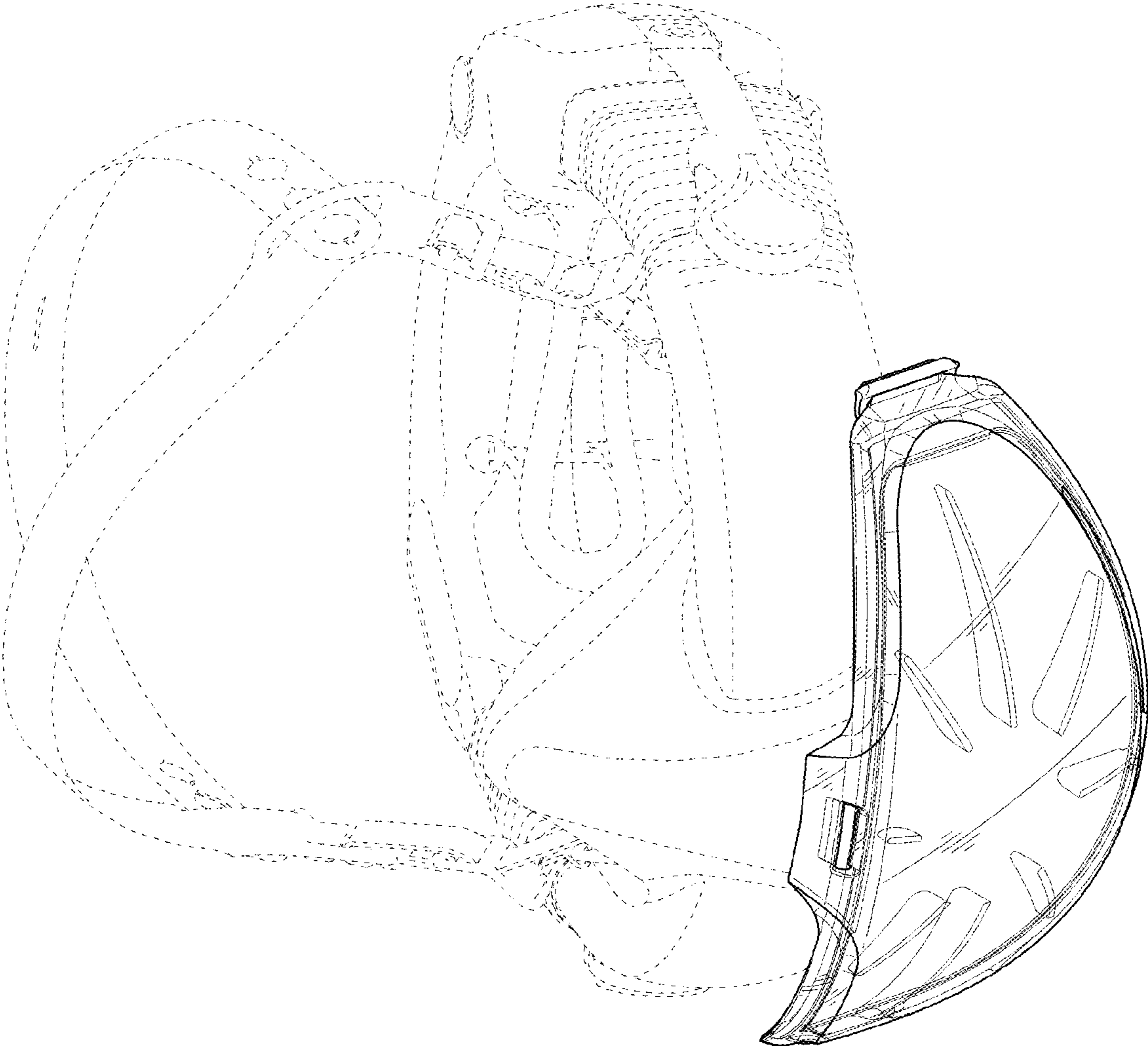


FIG. 11