



US00D968710S

(12) **United States Design Patent** (10) **Patent No.:** **US D968,710 S**
Liu (45) **Date of Patent:** **** Nov. 1, 2022**

(54) **NAIL LAMP**

D937,487 S * 11/2021 Zhang D28/58
D948,794 S * 4/2022 Ye D28/54.1
D948,795 S * 4/2022 Ye D28/54.1

(71) Applicant: **Feng Liu, Yuyao (CN)**

(72) Inventor: **Feng Liu, Yuyao (CN)**

(**) Term: **15 Years**

(21) Appl. No.: **29/755,193**

(22) Filed: **Oct. 19, 2020**

(30) **Foreign Application Priority Data**

Aug. 11, 2020 (CN) 202030453063.9

(51) **LOC (13) Cl.** **28-03**

(52) **U.S. Cl.**
USPC **D28/58**

(58) **Field of Classification Search**
USPC D26/24, 37-52, 93, 104-107, 113;
D28/58

CPC .. A45D 29/00; A45D 2200/205; A45D 29/18;
A45D 29/22; A45D 31/00

See application file for complete search history.

(56) **References Cited**

U.S. PATENT DOCUMENTS

D858,883 S * 9/2019 Wu D28/58
D858,885 S * 9/2019 Wu D28/58
D899,691 S * 10/2020 Fan D28/58
D900,396 S * 10/2020 Zhang D28/58
D920,576 S * 5/2021 Liu D28/58

FOREIGN PATENT DOCUMENTS

CN 306287334 * 1/2021
CN 307078112 * 1/2022

* cited by examiner

Primary Examiner — Marissa J Cash

Assistant Examiner — William B Melliar

(74) *Attorney, Agent, or Firm* — ScienBiziP, P.C.

(57) **CLAIM**

The ornamental design for a nail lamp, as shown and described.

DESCRIPTION

FIG. 1 is a top perspective view of a nail lamp, showing my design.

FIG. 2 is a bottom perspective view thereof.

FIG. 3 is a front elevation view thereof.

FIG. 4 is a rear elevation view thereof.

FIG. 5 is a left side elevation view thereof.

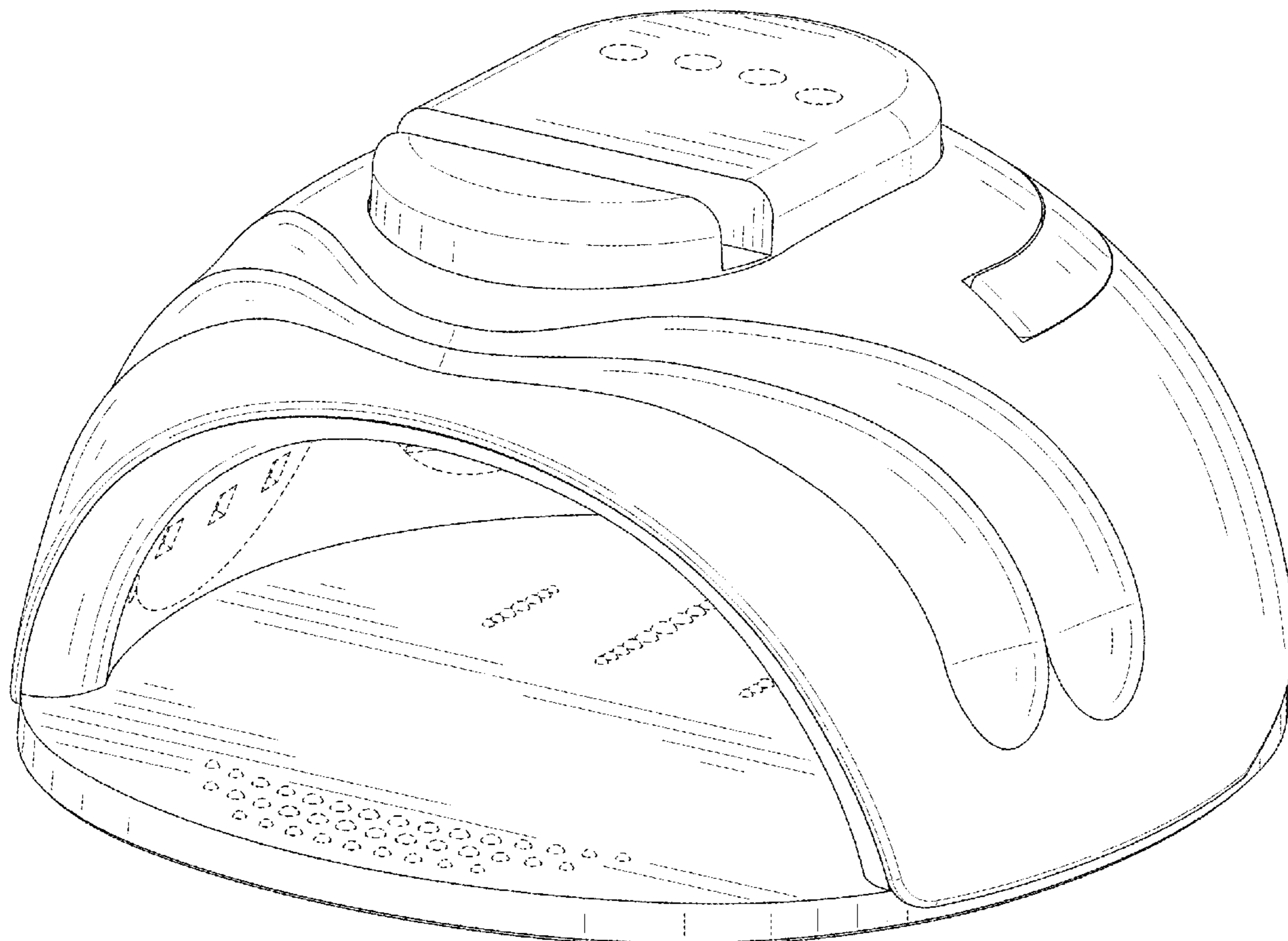
FIG. 6 is a right side elevation view thereof.

FIG. 7 is a top plan view thereof; and,

FIG. 8 is a bottom plan view thereof.

The broken lines shown in the drawings depict portions of the nail lamp that form no part of the claimed design.

1 Claim, 8 Drawing Sheets



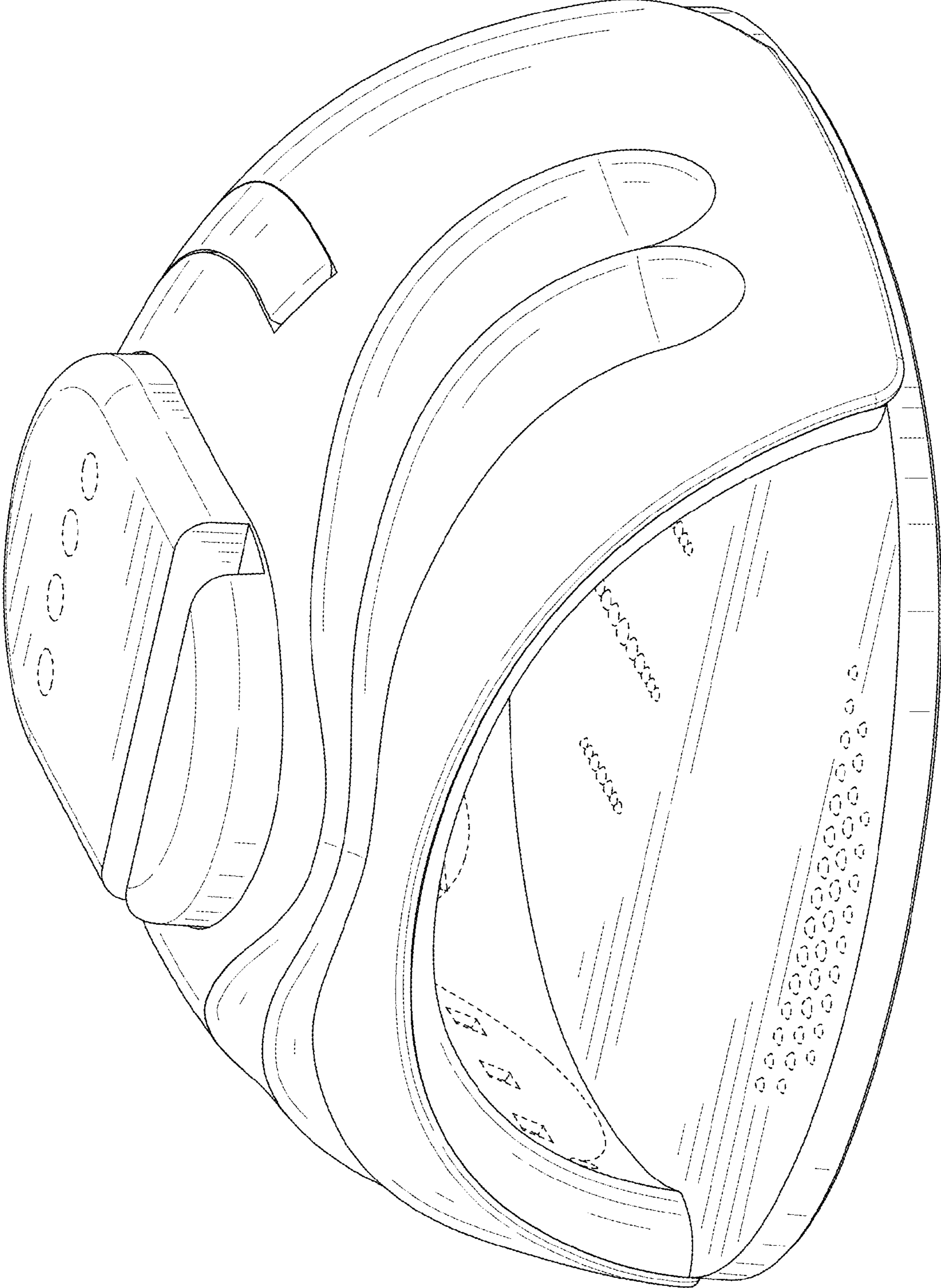


FIG. 1

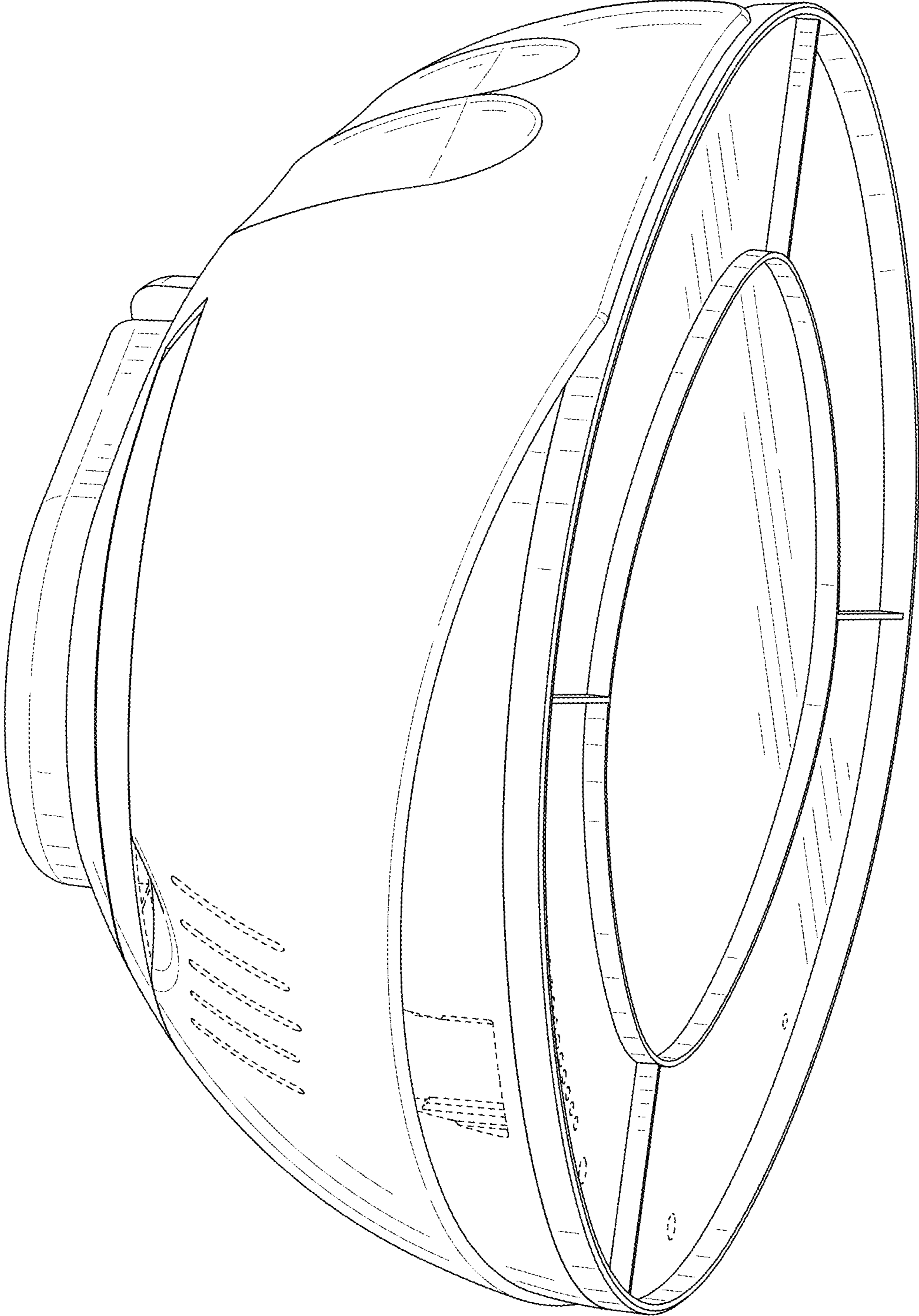


FIG. 2

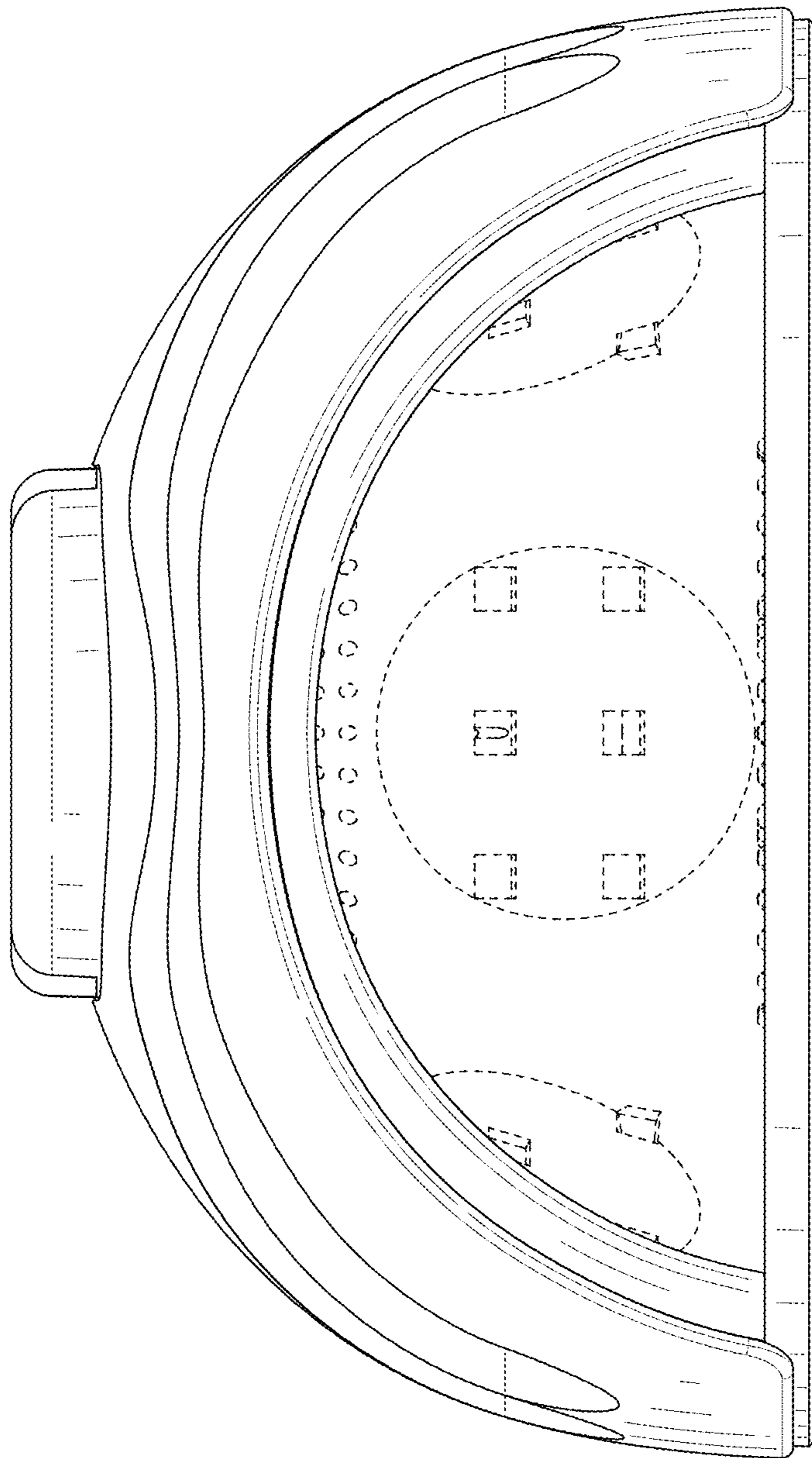


FIG. 3

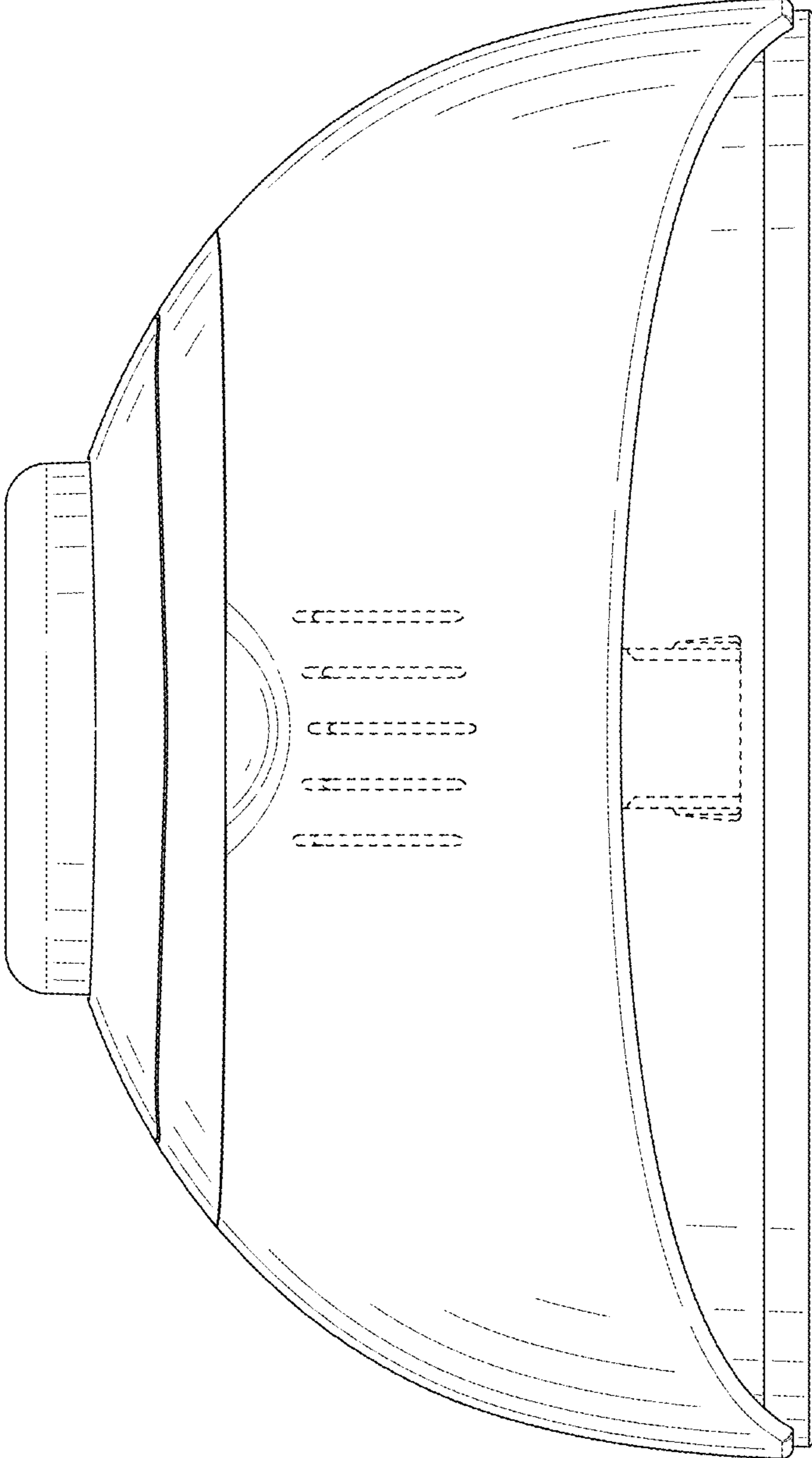


FIG. 4

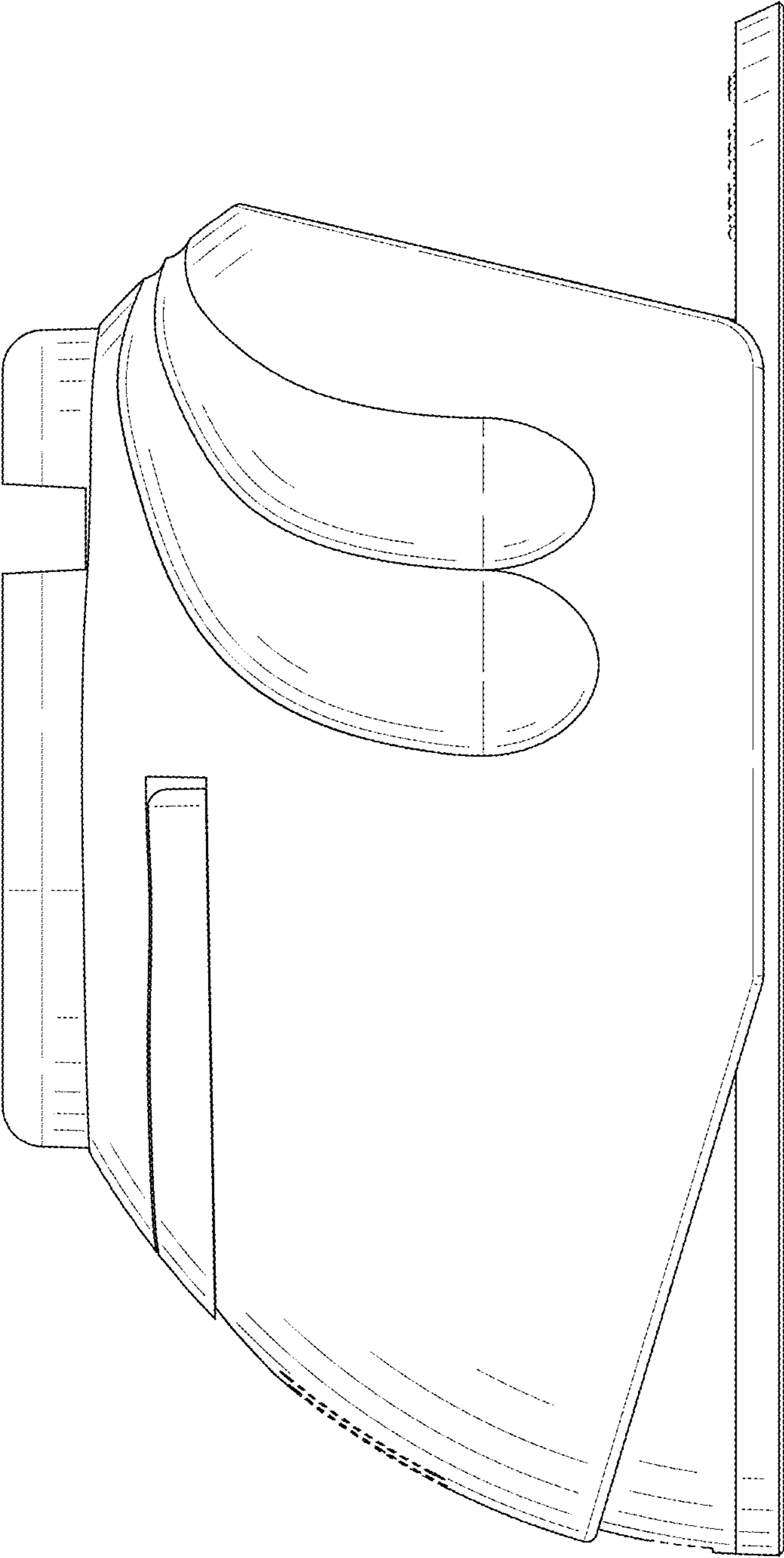


FIG. 5

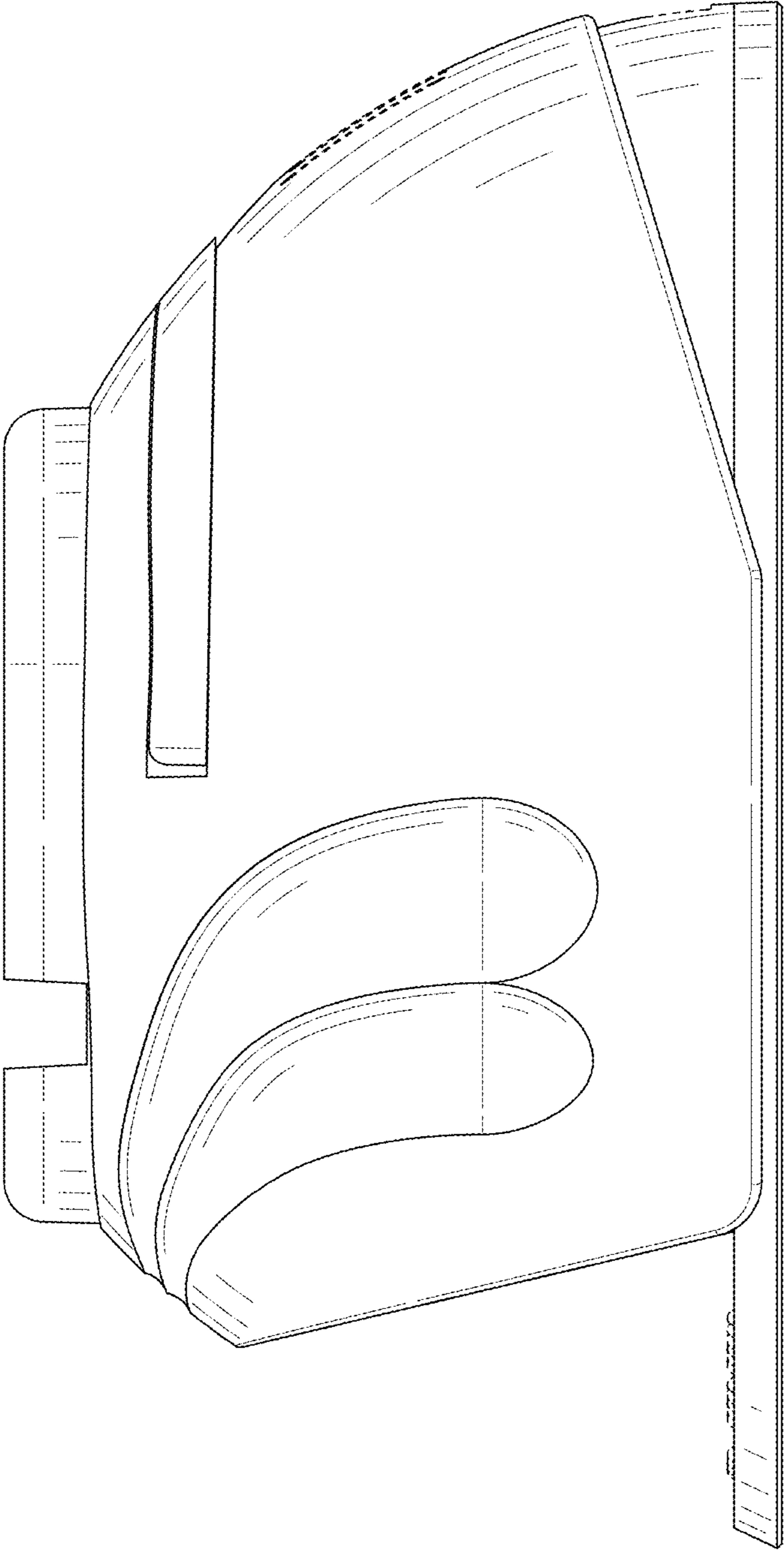


FIG. 6

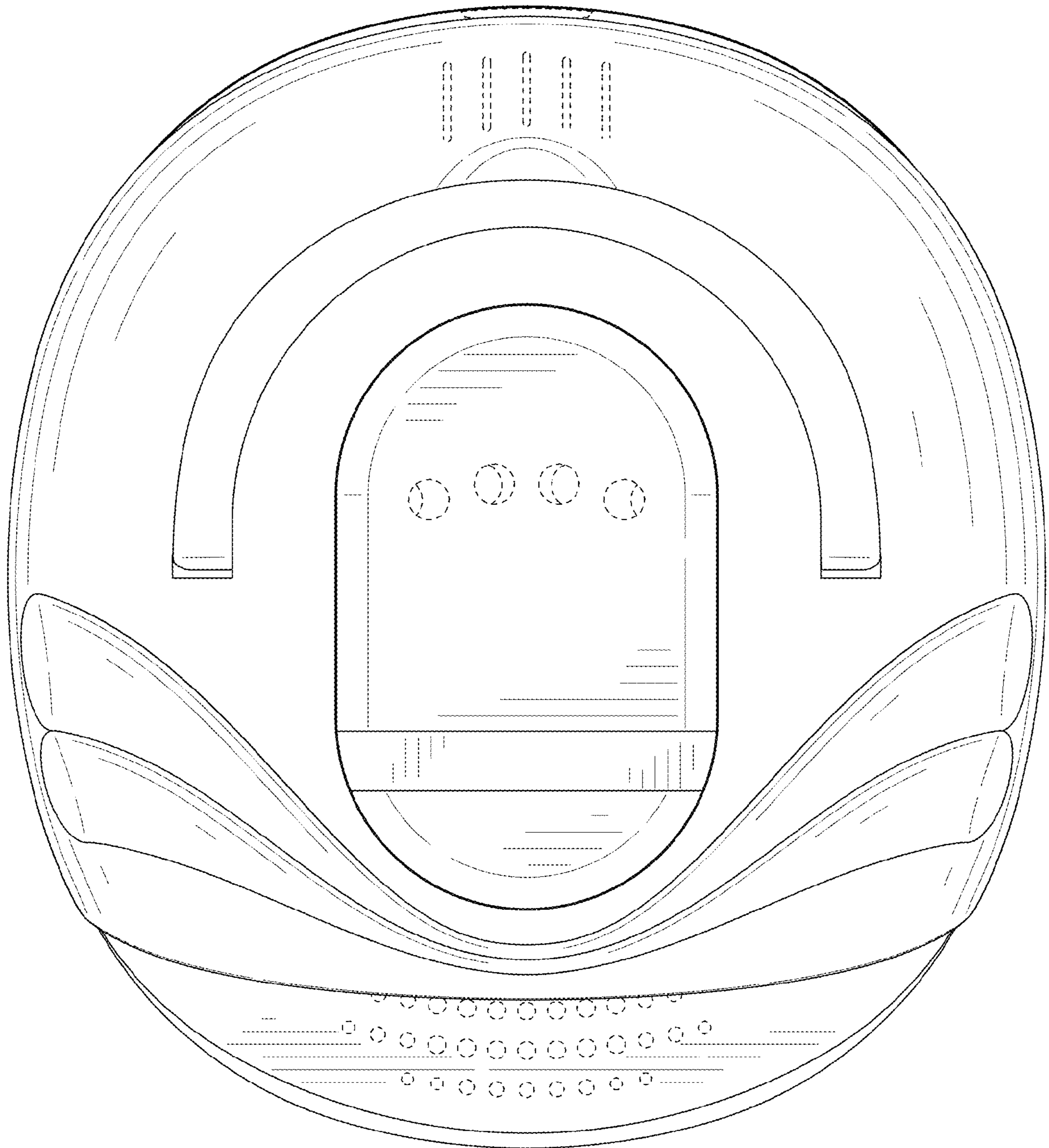


FIG. 7

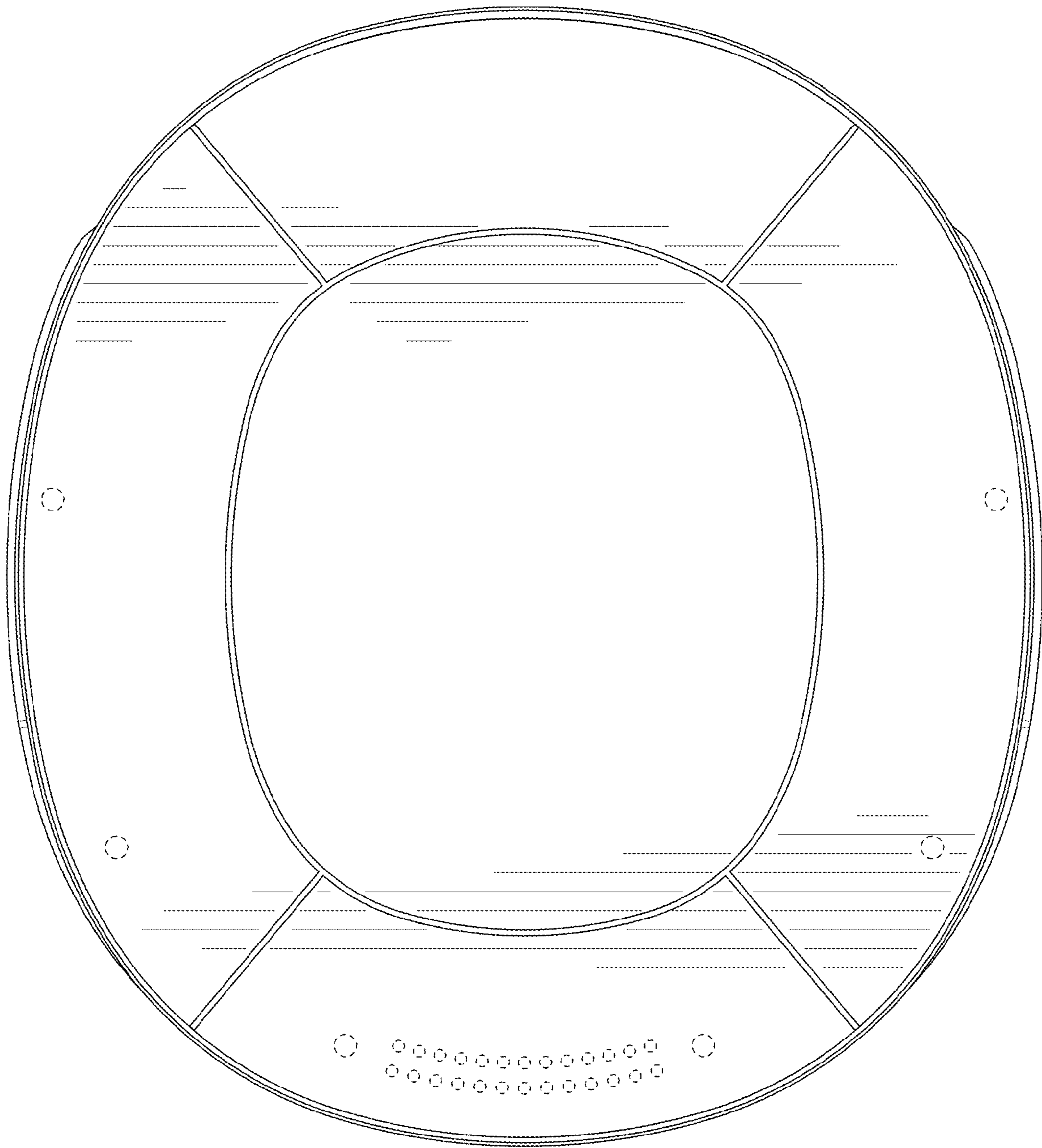


FIG. 8