



US00D968709S

(12) **United States Design Patent** (10) **Patent No.:** **US D968,709 S**
Jiang (45) **Date of Patent:** **** Nov. 1, 2022**

(54) **CLIPPER BLADE**

FOREIGN PATENT DOCUMENTS

(71) Applicant: **NINGBO ICLIPPER ELECTRIC APPLIANCE CO., LTD.**, Ningbo (CN)

CN 111660327 A * 9/2020 B26B 19/06
EP 3900896 A1 * 10/2021 B26B 19/20
WO WO-2021262975 A1 * 12/2021

(72) Inventor: **Qi Jiang**, Ningbo (CN)

OTHER PUBLICATIONS

(**) Term: **15 Years**

T blade T clipper and trimmer ceramic blades by CR8GR8, www.amazon.com, 1 page, available as of Sep. 2019 (Year: 2019).*

(21) Appl. No.: **29/792,766**

* cited by examiner

(22) Filed: **Apr. 22, 2022**

Primary Examiner — Jennifer Rivard
(74) *Attorney, Agent, or Firm* — W&K IP

(51) **LOC (13) Cl.** **28-03**

(57) **CLAIM**

(52) **U.S. Cl.**
USPC **D28/54**

The ornamental design for a clipper blade, as shown and described.

(58) **Field of Classification Search**
USPC D28/49–54
CPC B26B 19/10; B26B 19/102; B26B 19/063;
B26B 19/20; B26B 19/205; B26B
19/3826; B26B 19/3846; B26B 19/06–08
See application file for complete search history.

DESCRIPTION

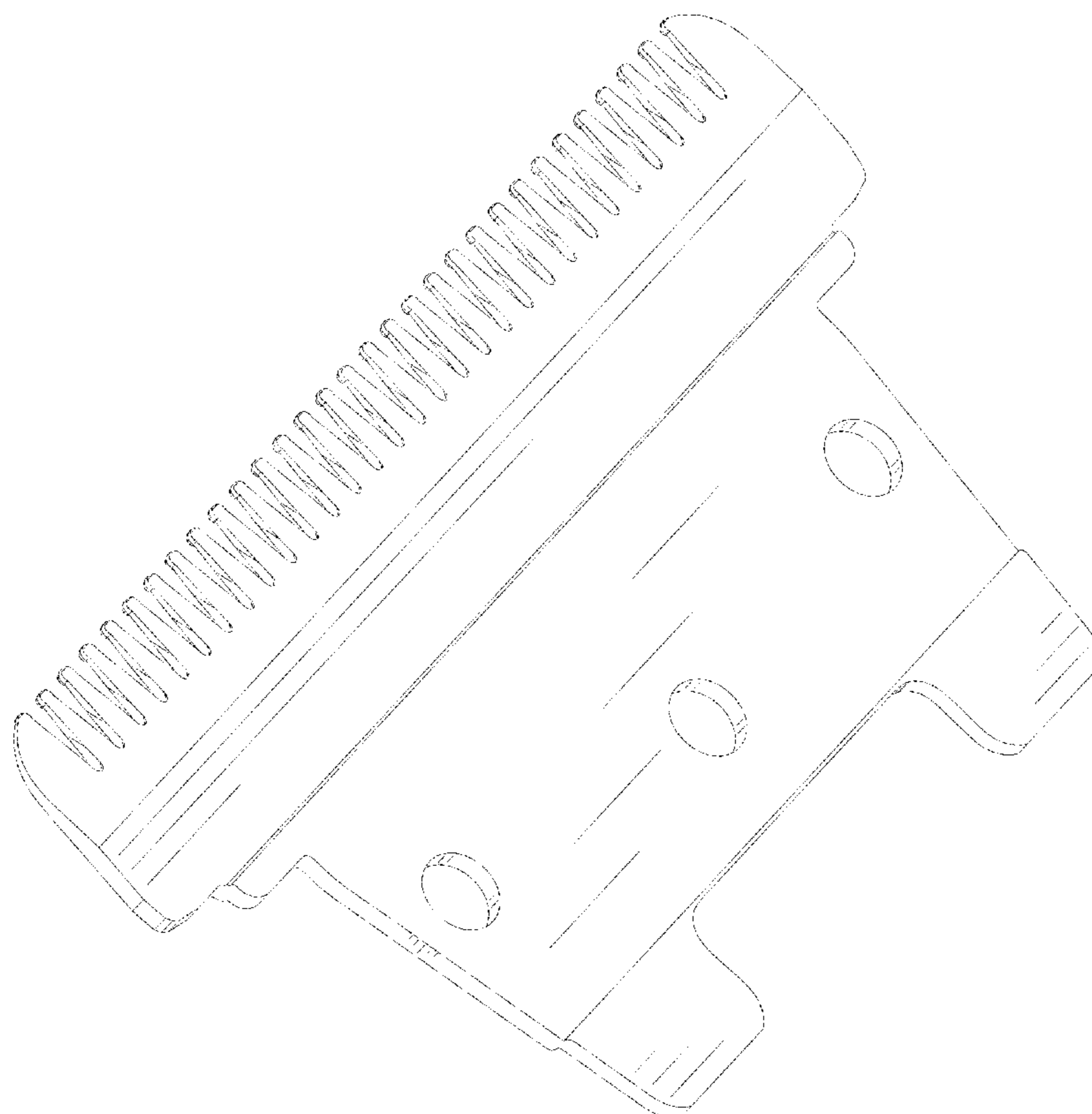
(56) **References Cited**

U.S. PATENT DOCUMENTS

D249,637 S 9/1978 Iten
D863,682 S * 10/2019 Jarvis, Jr. D28/54
D872,367 S * 1/2020 Yan D30/158
2022/0143853 A1 * 5/2022 Crandle B26B 19/06

FIG. 1 is a front elevational view of a clipper blade;
FIG. 2 is a rear elevational view thereof;
FIG. 3 is a left elevational view thereof;
FIG. 4 is a right elevational view thereof;
FIG. 5 is a top plan view thereof thereof;
FIG. 6 is a bottom plan view;
FIG. 7 is first perspective view thereof;
FIG. 8 is second perspective view thereof;
FIG. 9 is third perspective view thereof; and,
FIG. 10 is second perspective view thereof.

1 Claim, 9 Drawing Sheets



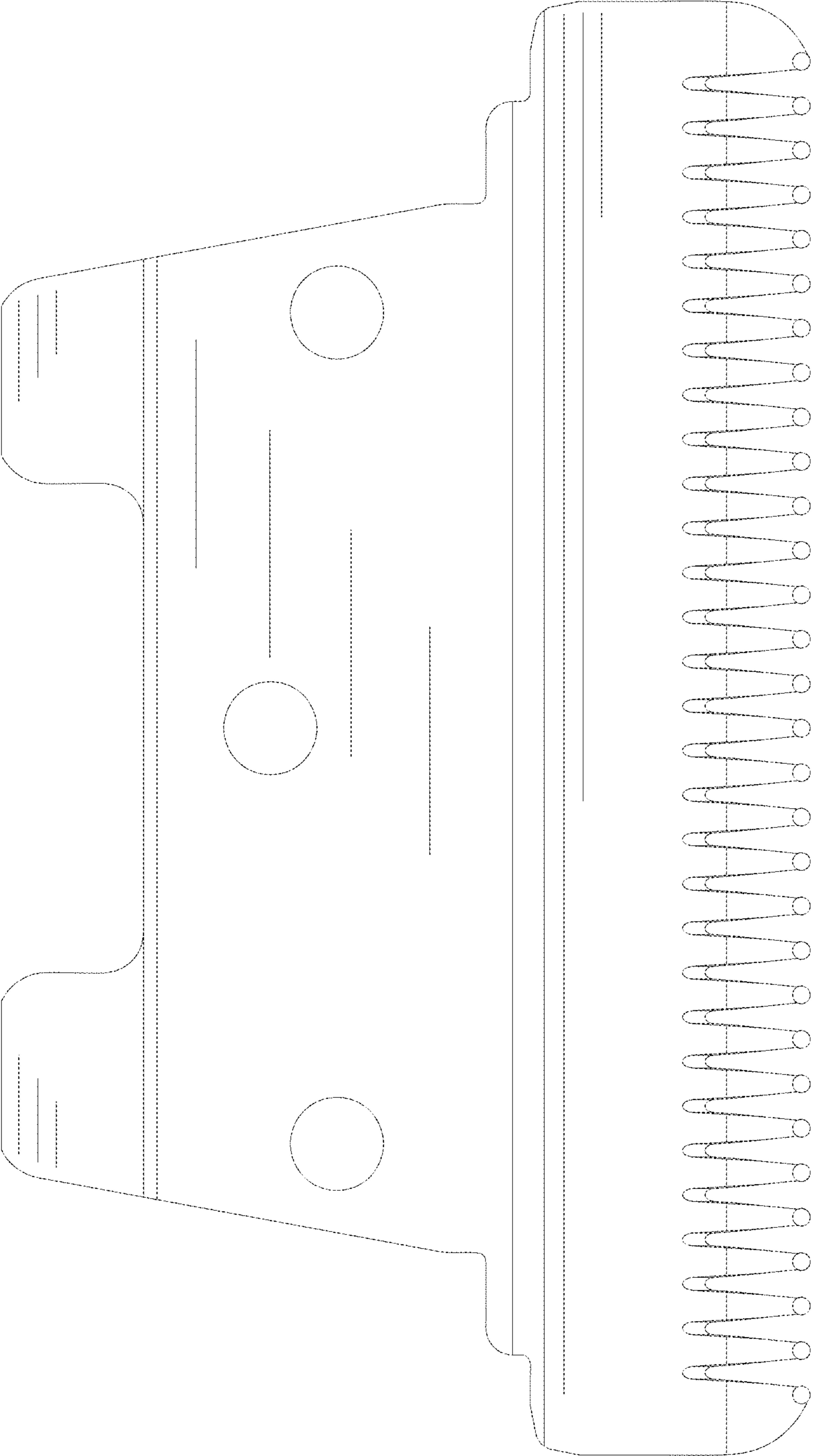


FIG. 1

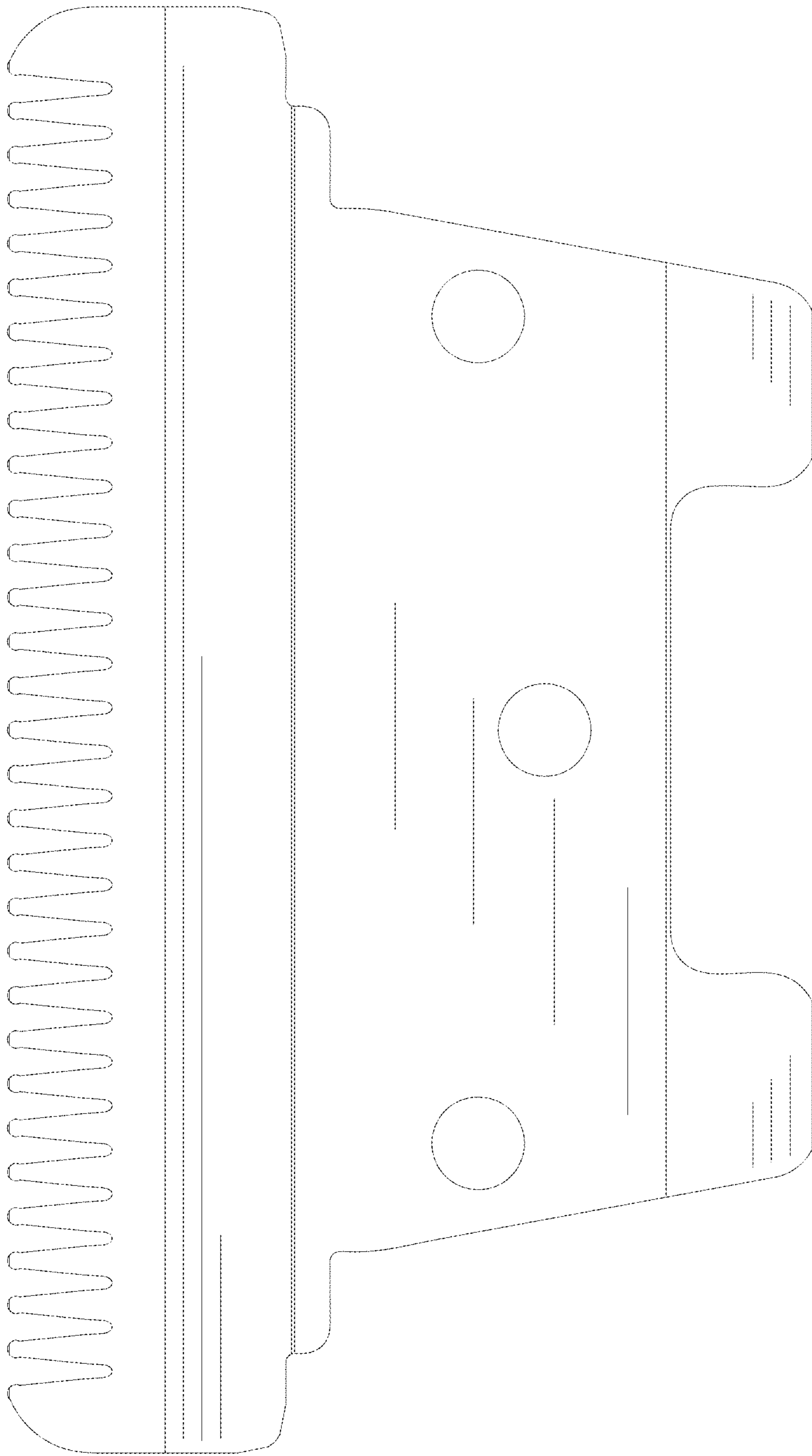


FIG. 2

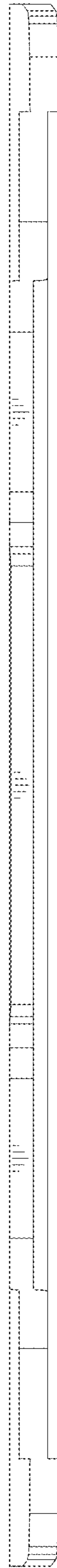


FIG. 3

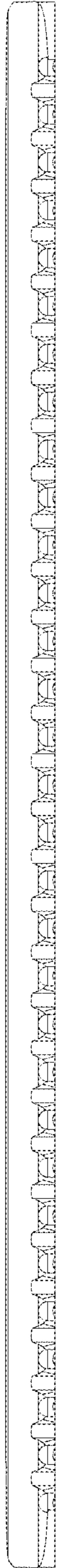


FIG. 4

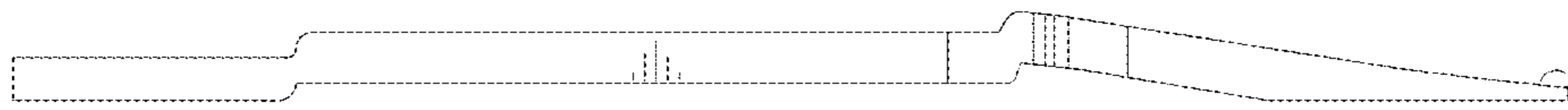


FIG. 5

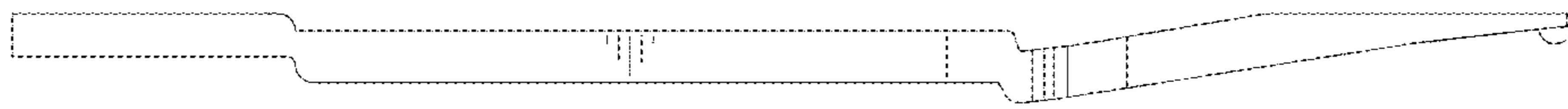


FIG. 6

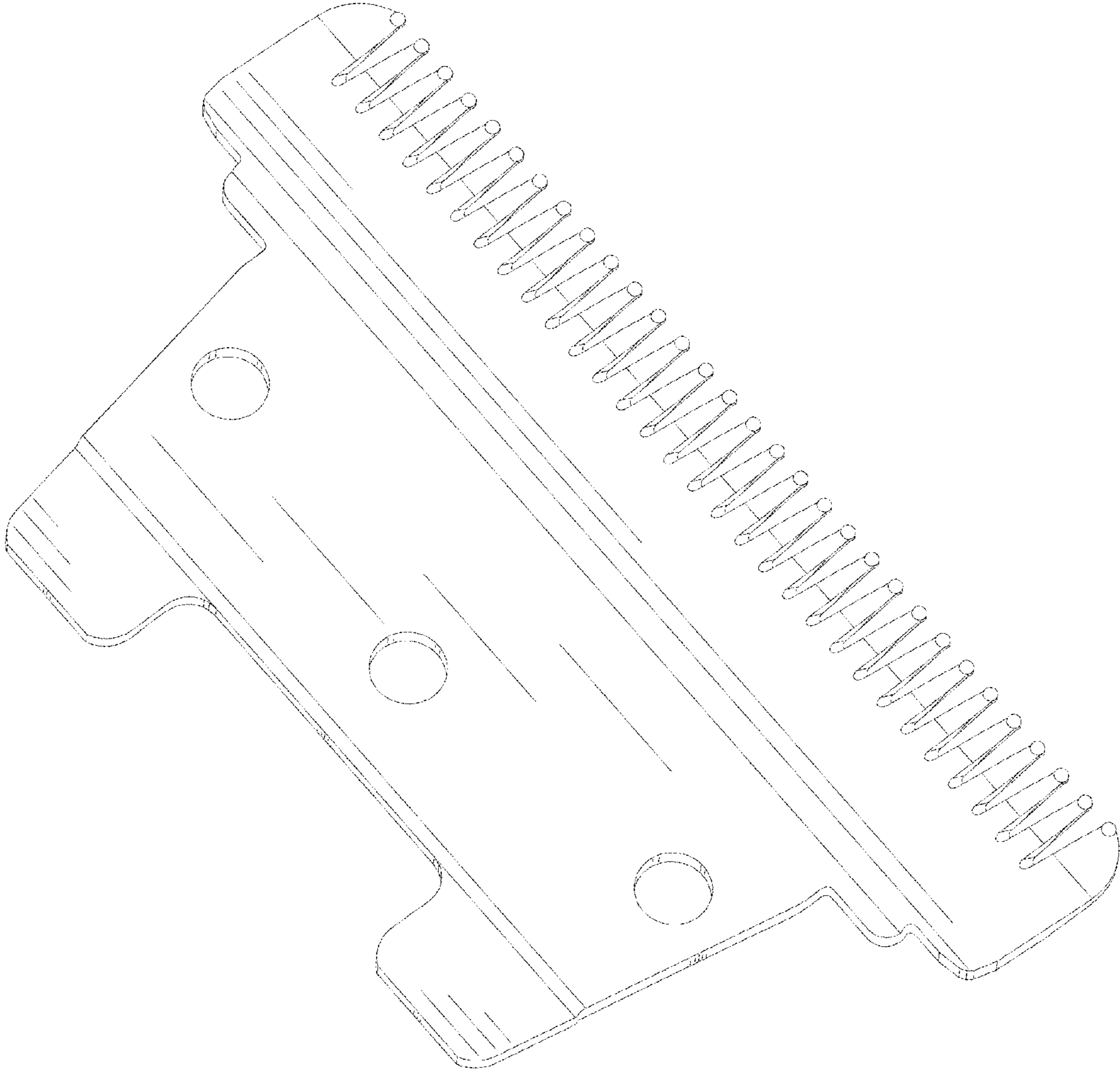


FIG. 7

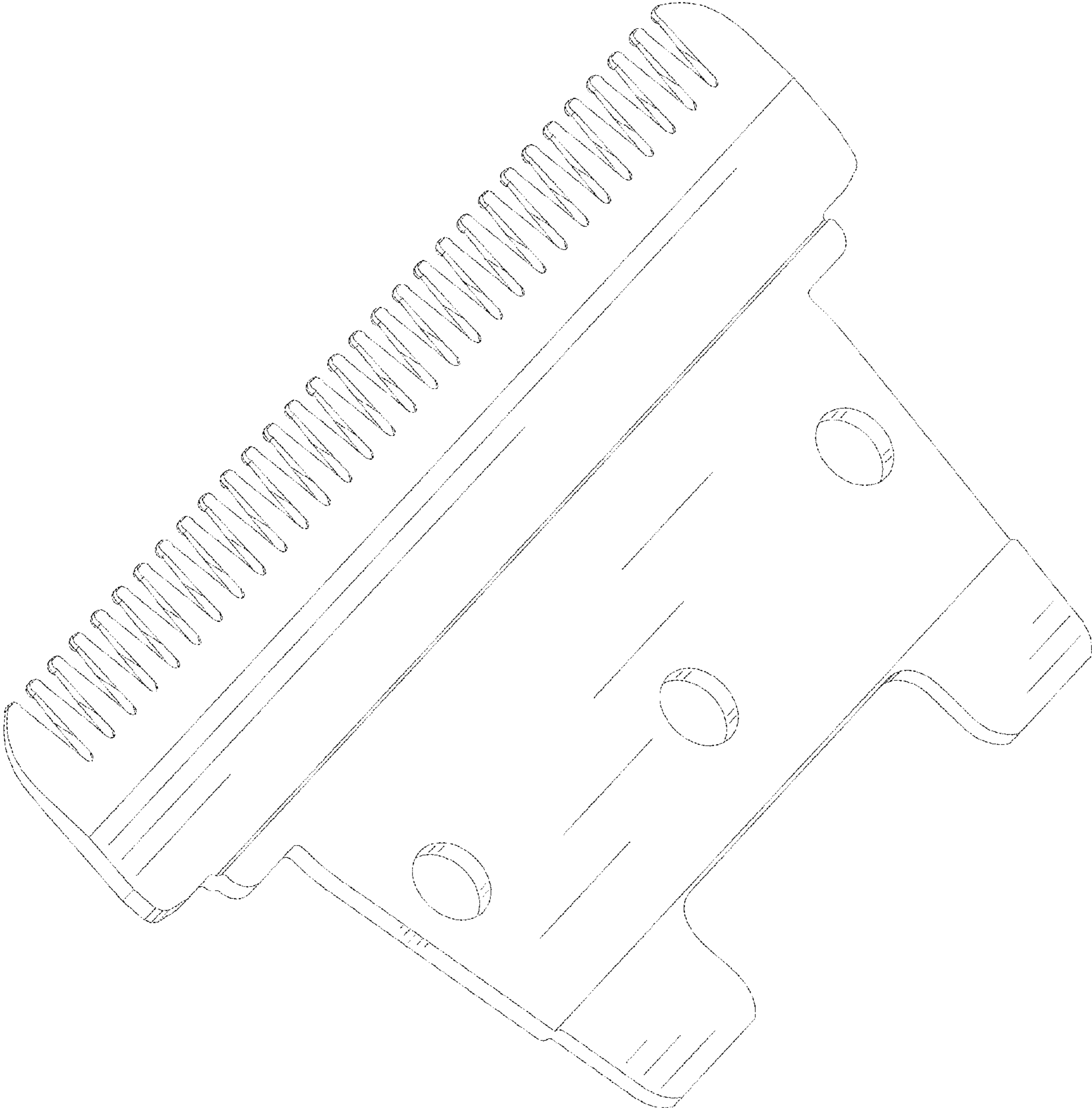


FIG. 8

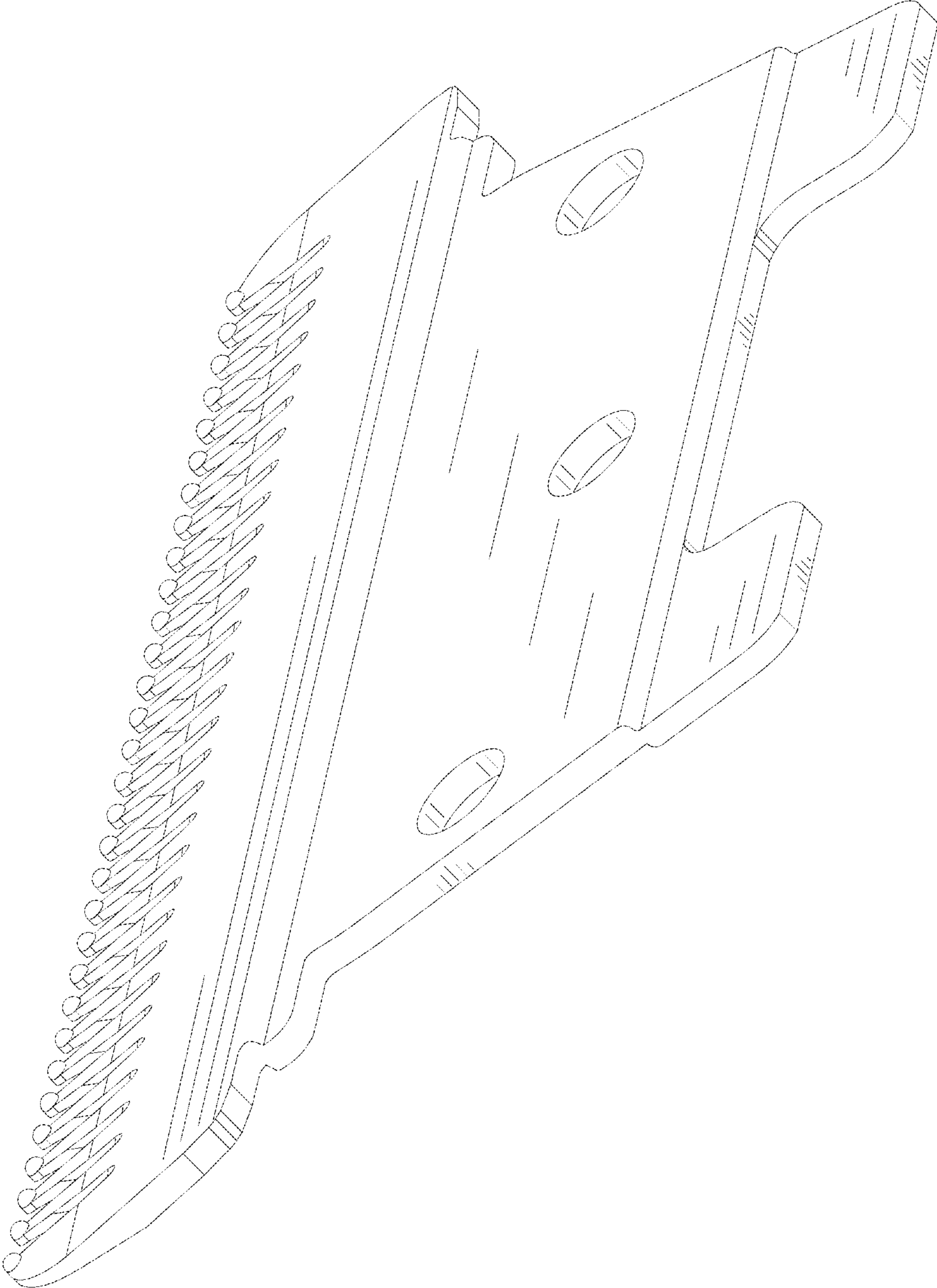


FIG. 9

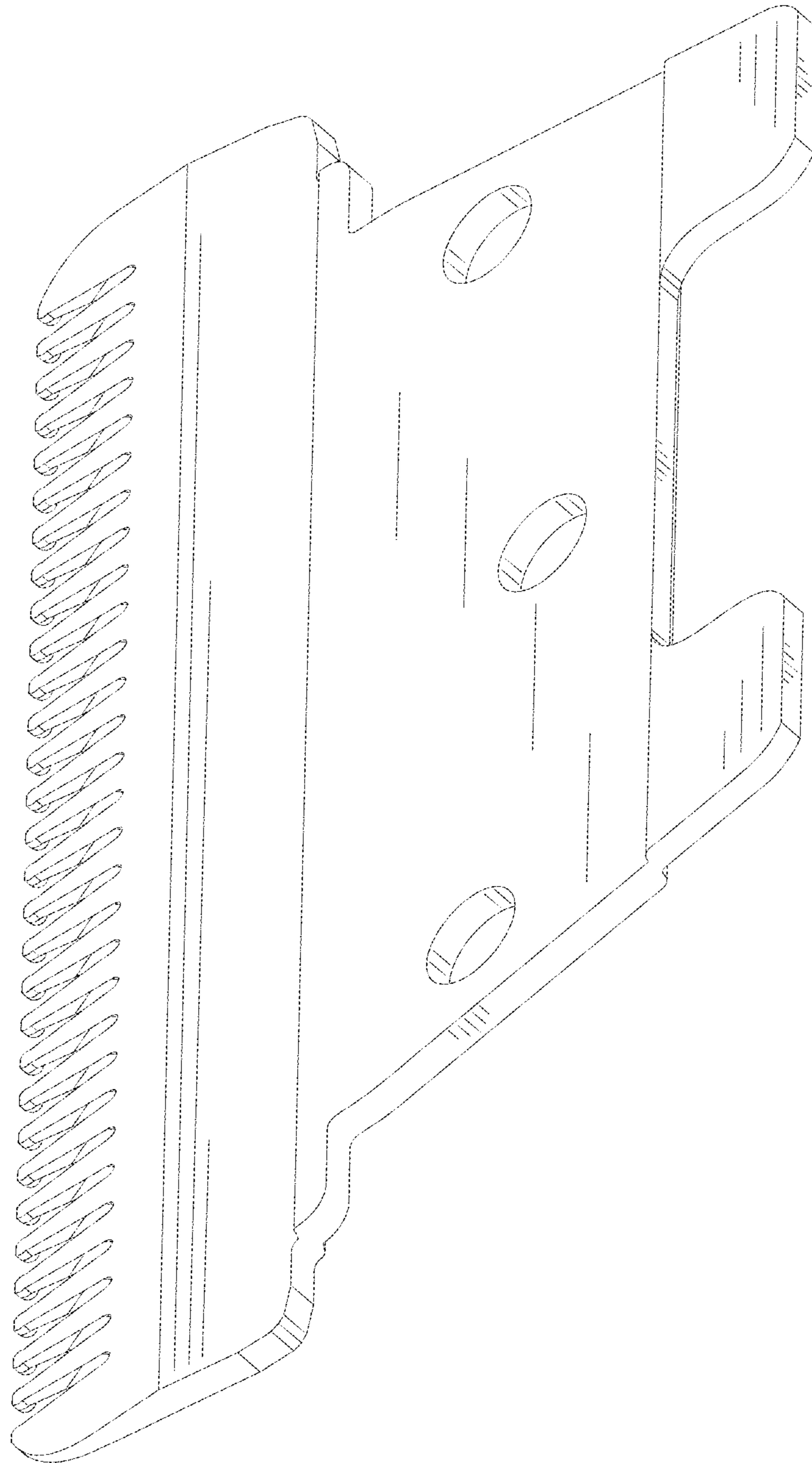


FIG. 10