



US00D968708S

(12) **United States Design Patent** (10) **Patent No.:** **US D968,708 S**
Romero (45) **Date of Patent:** **** Nov. 1, 2022**

(54) **SHEARS**

(71) Applicant: **Lister Shearing Equipment Ltd,**
Gloucestershire (GB)

(72) Inventor: **Jose Luis Beltran Romero,**
Gloucestershire (GB)

(**) Term: **15 Years**

(21) Appl. No.: **35/512,242**

(22) Filed: **Jan. 22, 2021**

(80) **Hague Agreement Data**

Int. Filing Date: **Jan. 22, 2021**

Int. Reg. No.: **DM/213286**

Int. Reg. Date: **Jan. 22, 2021**

Int. Reg. Pub. Date: **Jul. 23, 2021**

(51) **LOC (13) Cl.** **28-03**

(52) **U.S. Cl.**
USPC **D28/53**

(58) **Field of Classification Search**

USPC D28/44.1, 49-54

CPC . A45D 7/06; A45D 2/001; A45D 1/04; A45D

7/04; A45D 20/12; A45D 1/28; A45D

2001/002; A45D 2007/001; A45D 20/10;

A45D 2/125; A45D 19/005; A45D

19/0066; A45D 1/00; A45D 1/06; A45D

2044/007; A45D 2200/25; A45D 2/146;

A45D 44/005; A45D 7/00; A45D 7/02;

A45D 19/00; A45D 19/012; A45D 1/10;

A45D 1/14; A45D 1/20; A45D 2001/004;

A45D 2001/008; A45D 2001/045; A45D

2002/003; A45D 2002/025; A45D

2007/005; A45D 20/00; A45D 20/04;

A45D 20/16; A45D 20/40; A45D

2200/00; A45D 2200/05; A45D 2200/202;

A45D 2200/205; A45D 24/00; A45D

2/00; A45D 2/002; A45D 2/02; A45D

2/18; A45D 2/20; A45D 2/46; A45D
44/02; A45D 44/04; A45D 44/14; A45D
6/00; A45D 8/00; A45D 8/008; A45D
8/34

See application file for complete search history.

(56) **References Cited**

U.S. PATENT DOCUMENTS

D705,485	S	*	5/2014	Lin	D28/53
D870,383	S	*	12/2019	Zhang	D28/53
D895,898	S	*	9/2020	Werner	D28/53
D912,327	S	*	3/2021	Jiang	D28/53
D923,247	S	*	6/2021	Jiang	D28/53
D931,537	S	*	9/2021	Werner	D28/53
D942,685	S	*	2/2022	Howell	D28/53
D943,209	S	*	2/2022	Miller	D28/53
D944,453	S	*	2/2022	Ernotte	D28/53
D955,051	S	*	6/2022	de Belizal	D28/53

* cited by examiner

Primary Examiner — Khawaja Anwar

(57) **CLAIM**

The ornamental design for shears, as shown and described.

DESCRIPTION

1.1 Shears

1.1 : Perspective

1.2 : Perspective

1.3 : Left

1.4 : Right

1.5 : Front

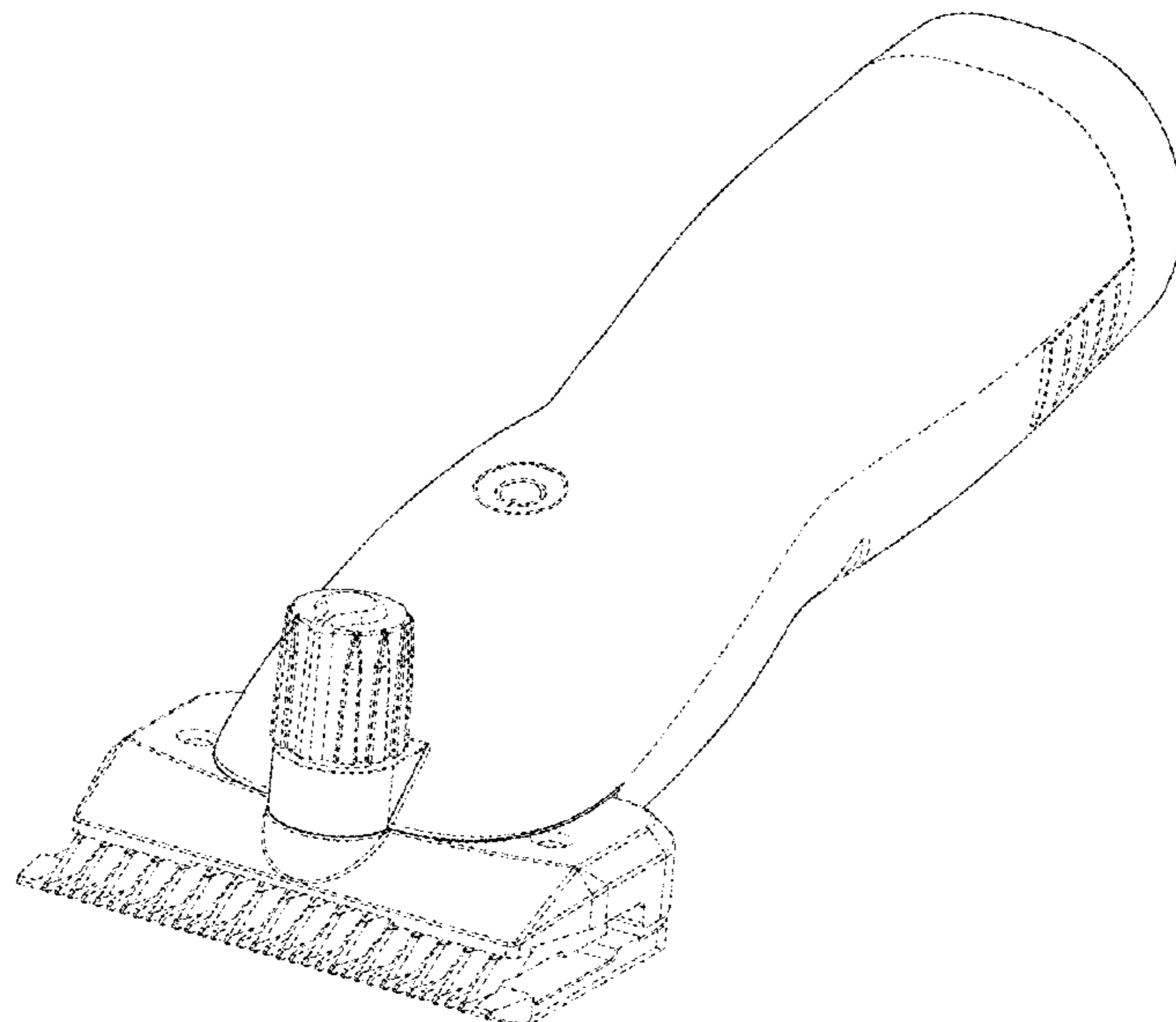
1.6 : Back

1.7 : Top

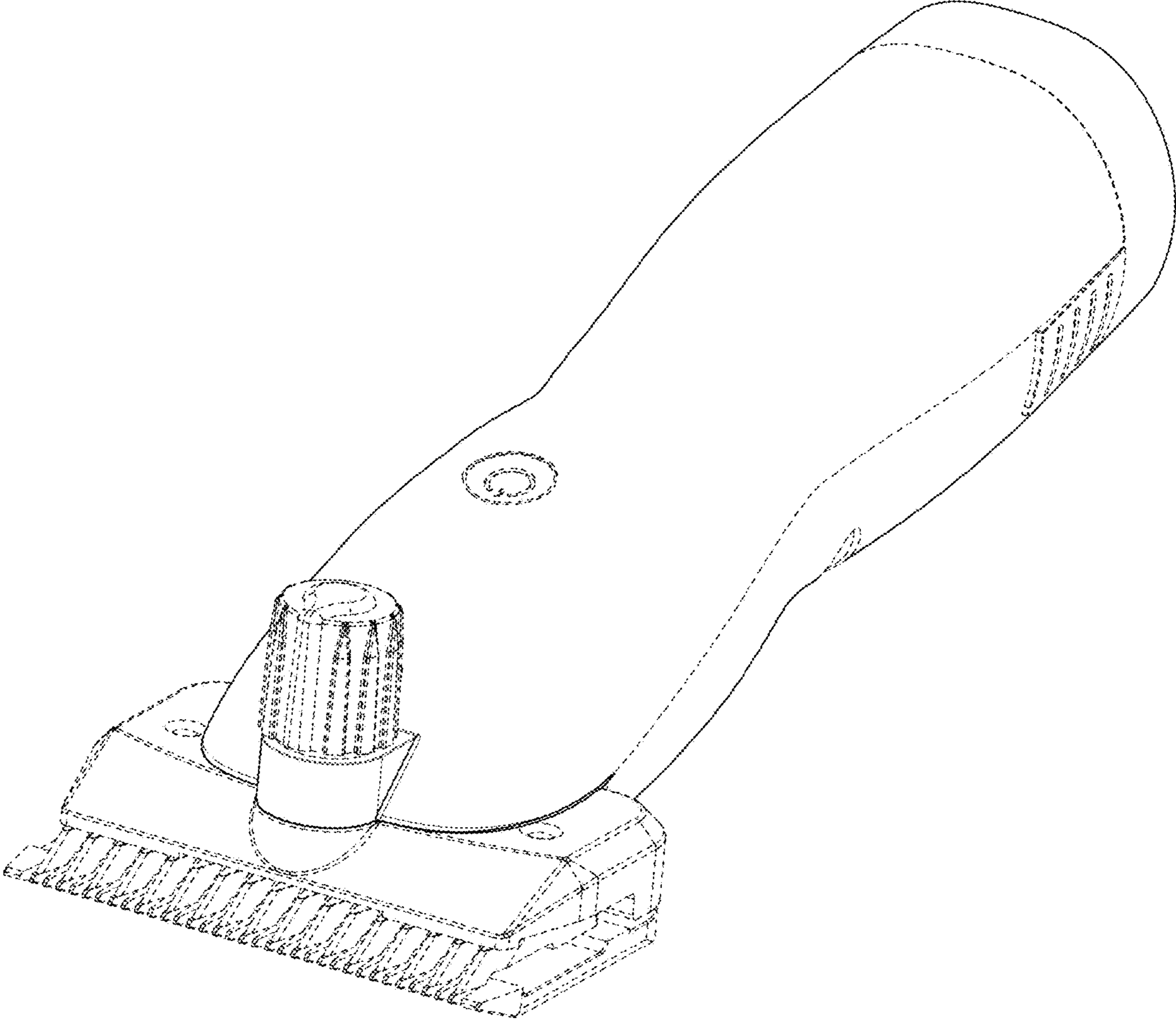
1.8 : Bottom

A handle for clippers or shears is claimed; features shown in broken lines form no part of the claimed design.

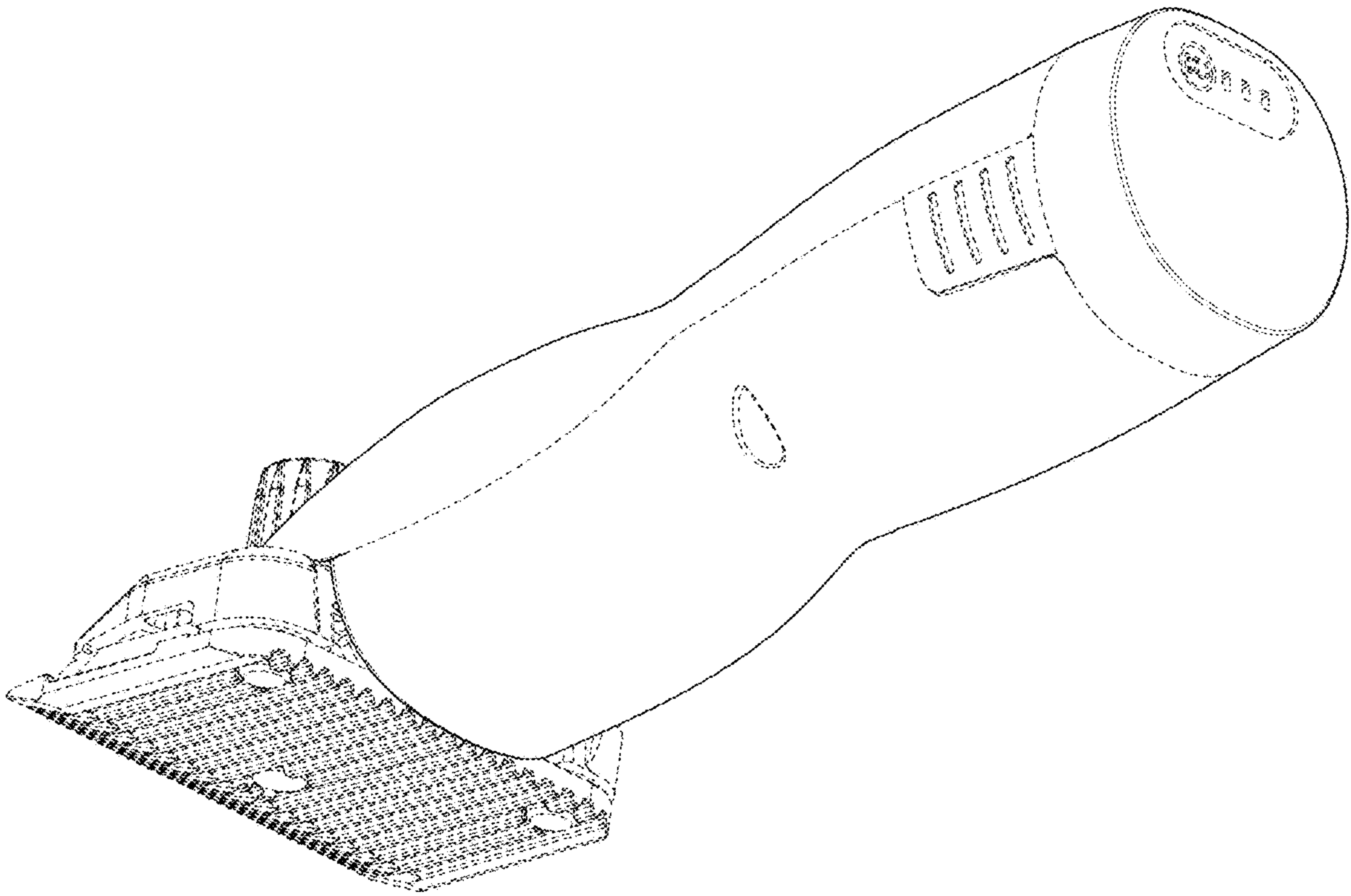
1 Claim, 8 Drawing Sheets



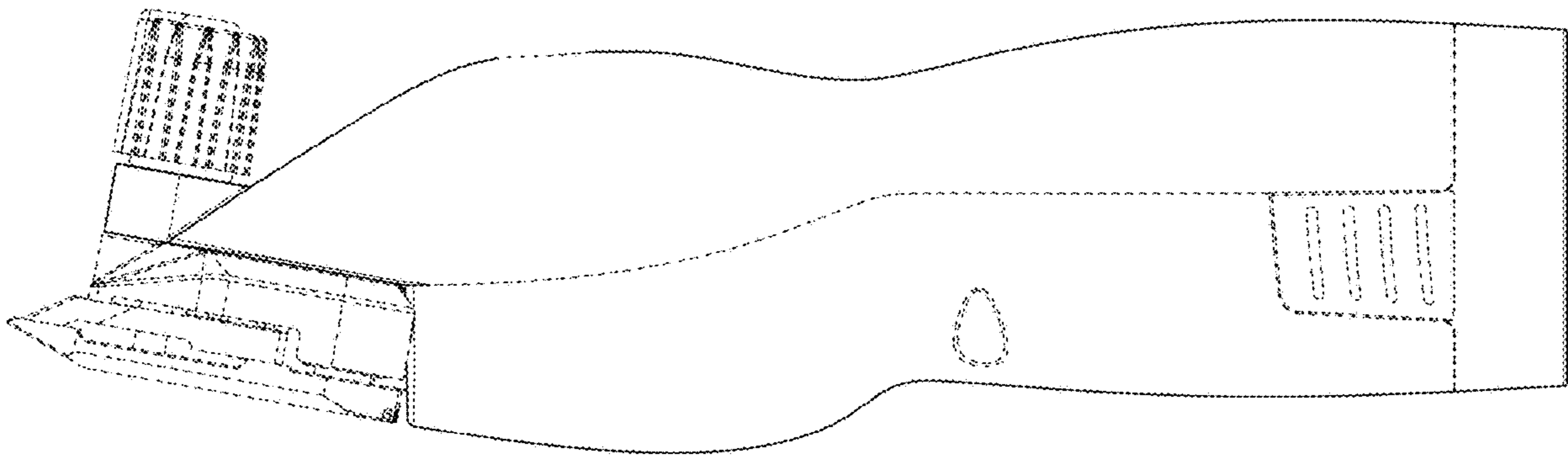
1.1



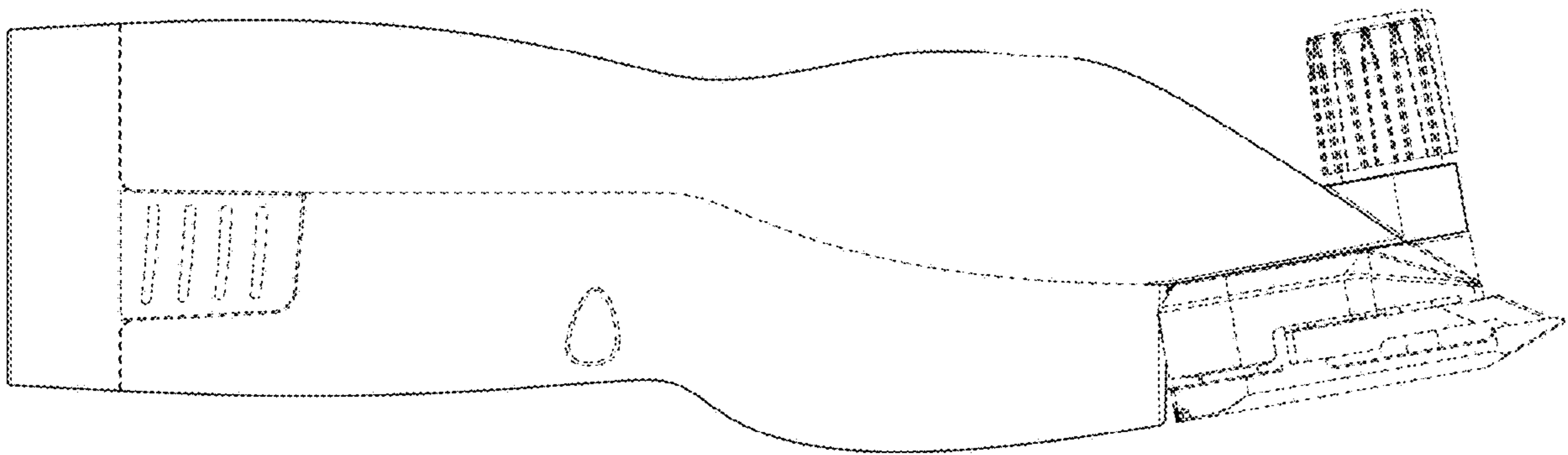
1.2



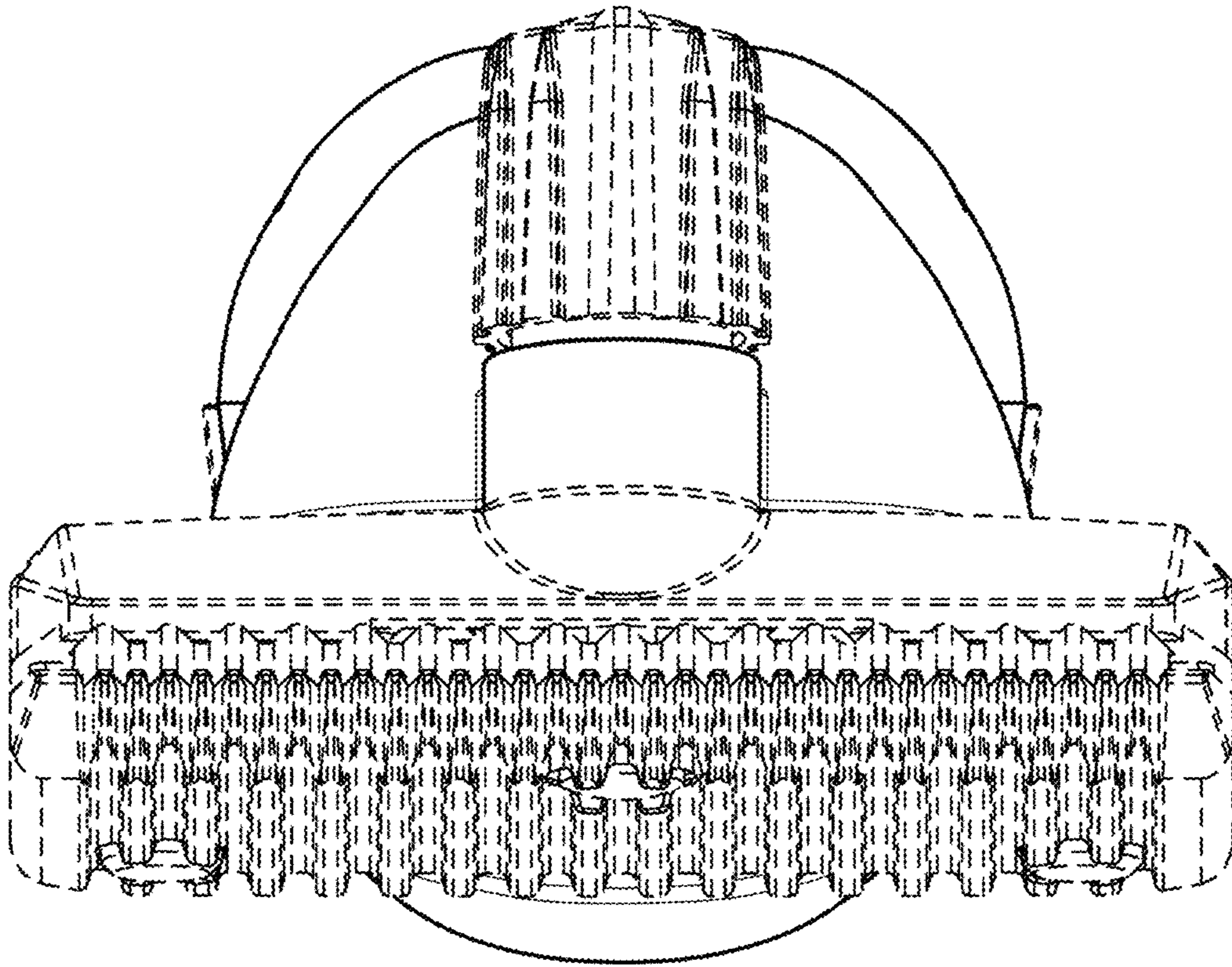
1.3



1.4



1.5



1.6

