



US00D968706S

(12) **United States Design Patent** (10) **Patent No.:** **US D968,706 S**
Hurtado et al. (45) **Date of Patent:** **** *Nov. 1, 2022**

- (54) **RAZOR HANDLE**
- (71) Applicant: **The Gillette Company LLC**, Boston, MA (US)
- (72) Inventors: **Armando Miguel Hurtado**, Boston, MA (US); **Christopher Andrew Emanuel**, Dedham, MA (US); **Jonathon Albert Riehle**, Brighton, MA (US); **Jahdiel Fyfield**, Roslindale, MA (US)
- (73) Assignee: **The Gillette Company LLC**, Boston, MA (US)
- (*) Notice: This patent is subject to a terminal disclaimer.
- (**) Term: **15 Years**
- (21) Appl. No.: **29/741,901**
- (22) Filed: **Jul. 16, 2020**
- (51) **LOC (13) Cl.** **28-03**
- (52) **U.S. Cl.**
USPC **D28/48**
- (58) **Field of Classification Search**
USPC D28/46-48
CPC B26B 21/52-528; B26B 21/22-38; B26B 21/08; B26B 21/14
See application file for complete search history.

- D417,807 S 12/1999 McBarnette
 - D431,137 S 9/2000 McBarnette
 - D455,643 S 4/2002 Aubin
 - D462,216 S 9/2002 Jablonski
 - D480,245 S 10/2003 Johansson et al.
 - D550,401 S * 9/2007 Rhoad D28/48
 - D560,088 S 1/2008 Tracy
 - D602,634 S * 10/2009 Cataudella D28/46
- (Continued)

FOREIGN PATENT DOCUMENTS

- CN 305475418 12/2019
- WO 200832 8/2019

OTHER PUBLICATIONS

U.S. Appl. No. 29/741,900, filed Jul. 16, 2020, Jonathon Albert Riehle et al.

(Continued)

Primary Examiner — Jennifer Rivard

(74) *Attorney, Agent, or Firm* — Joanne N. Pappas; Kevin C. Johnson

(57) **CLAIM**

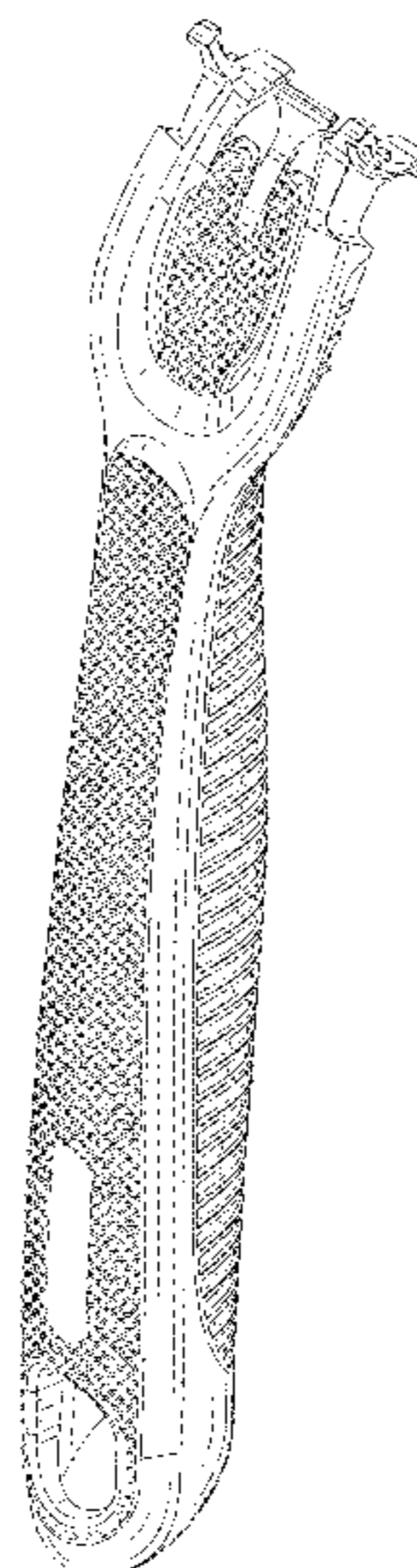
The ornamental design for a razor handle, as shown and described.

DESCRIPTION

FIG. 1 is a front perspective view of a design of a razor handle of the present invention;
 FIG. 2 is a front view thereof;
 FIG. 3 is a back view thereof;
 FIG. 4 is a right side view thereof;
 FIG. 5 is a left side view thereof;
 FIG. 6 is a top view thereof;
 FIG. 7 is a bottom view thereof; and,
 FIG. 8 is rear perspective view thereof.
 The broken lines illustrate portions of the razor handle and form no part of the claimed design.

1 Claim, 5 Drawing Sheets

- (56) **References Cited**
- U.S. PATENT DOCUMENTS
- 3,350,830 A 11/1967 Smith, Jr. et al.
 - D243,426 S 2/1977 Joslyn
 - D296,520 S 7/1988 Spinetta
 - D300,406 S 3/1989 Bordian
 - D312,385 S 11/1990 Hamann
 - D327,213 S 6/1992 Murphy
 - D334,500 S 4/1993 Lalonde
 - D354,988 S 1/1995 Garza
 - D356,002 S 3/1995 Morgan



(56)

References Cited

U.S. PATENT DOCUMENTS

D613,456 S *	4/2010	Cataudella	D28/46
D625,130 S	10/2010	Szczepanowski et al.	
D632,516 S	2/2011	Schulz et al.	
D640,079 S	6/2011	Kinard et al.	
8,186,062 B2 *	5/2012	Fischer	B26B 21/4018 30/34.2
8,448,339 B2 *	5/2013	Walker, Jr.	B26B 21/4031 30/47
D711,213 S	8/2014	Schorn	
D736,071 S	8/2015	Wu	
D781,683 S	5/2017	Yi	
D843,058 S *	3/2019	Fyfield	D28/46
D843,060 S *	3/2019	Fyfield	D28/48
D843,659 S *	3/2019	Go	D28/48
D844,473 S	4/2019	Maulder	
D873,580 S	1/2020	McGarry	
D874,180 S	2/2020	McGarry	
D874,725 S *	2/2020	Riehle	D28/46
D882,175 S *	4/2020	Riehle	D28/48
D889,162 S	7/2020	Elliott	
D893,287 S	8/2020	Wendling	

D939,773 S *	12/2021	Kim	D28/48
D945,068 S *	3/2022	Lee	D28/48
2011/0203124 A1 *	8/2011	Bridges	B26B 21/4037 30/539
2019/0299465 A1 *	10/2019	Gester	B26B 21/48
2020/0070374 A1 *	3/2020	Long	B26B 21/521
2020/0070375 A1 *	3/2020	Hurtado	B25G 3/38
2022/0001559 A1 *	1/2022	Hiller	B26B 21/4056

OTHER PUBLICATIONS

U.S. Appl. No. 29/741,906, filed Jul. 16, 2020, Armando Miguel Hurtado et al.
 U.S. Appl. No. 29/717,365, filed Dec. 17, 2019, Christopher Ramm et al.
 All Office Actions, U.S. Appl. No. 29/717,365.
 All Office Actions, U.S. Appl. No. 29/741,906.
 All Office Actions, U.S. Appl. No. 29/741,900.
 Notice of Allowance; U.S. Appl. No. 29/717,365 dated Jul. 8, 2022.
 Notice of Allowance; U.S. Appl. No. 29/741,906 dated Mar. 30, 2022.

* cited by examiner

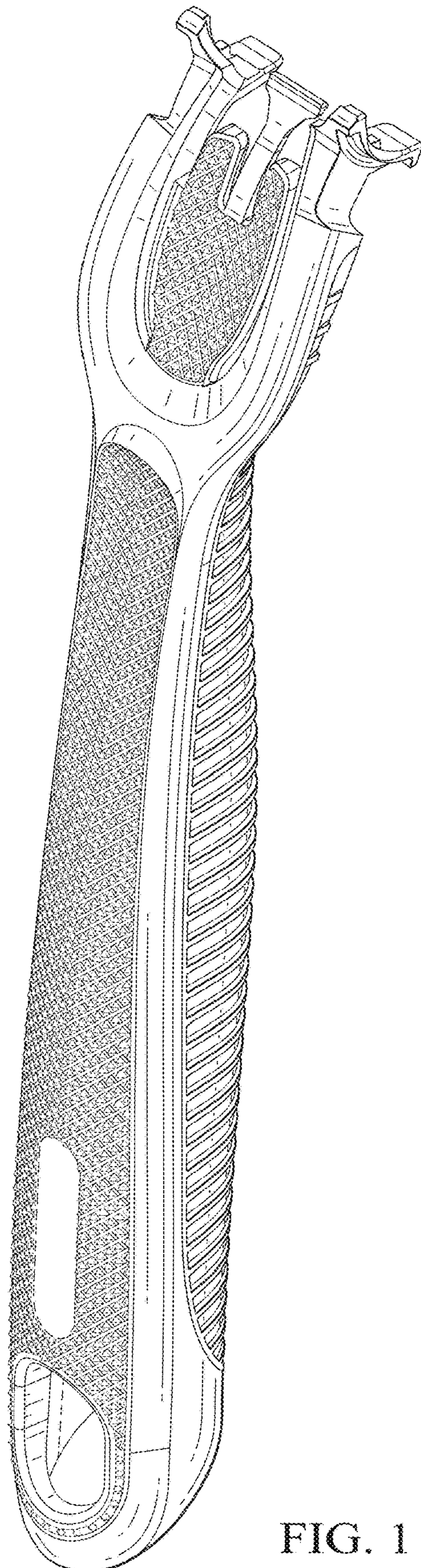


FIG. 1

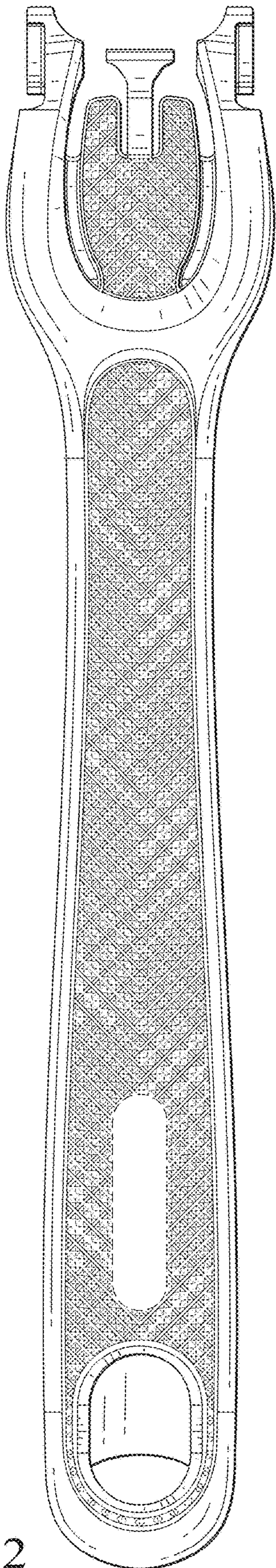


FIG. 2

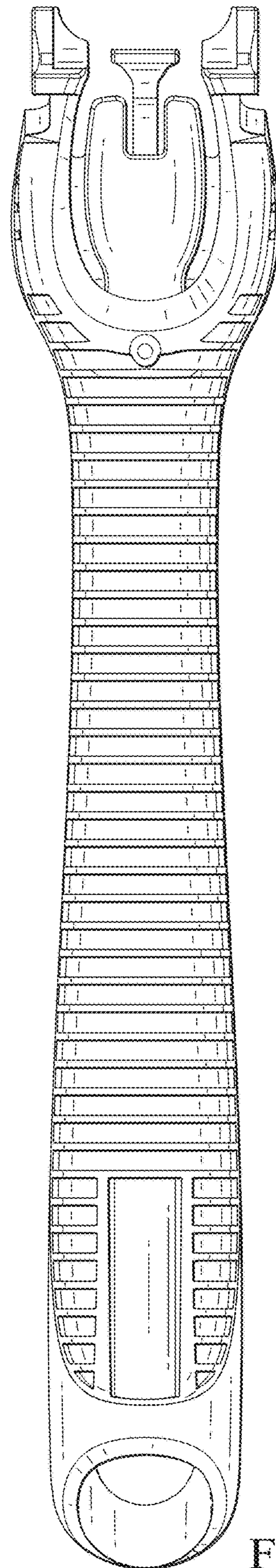


FIG. 3

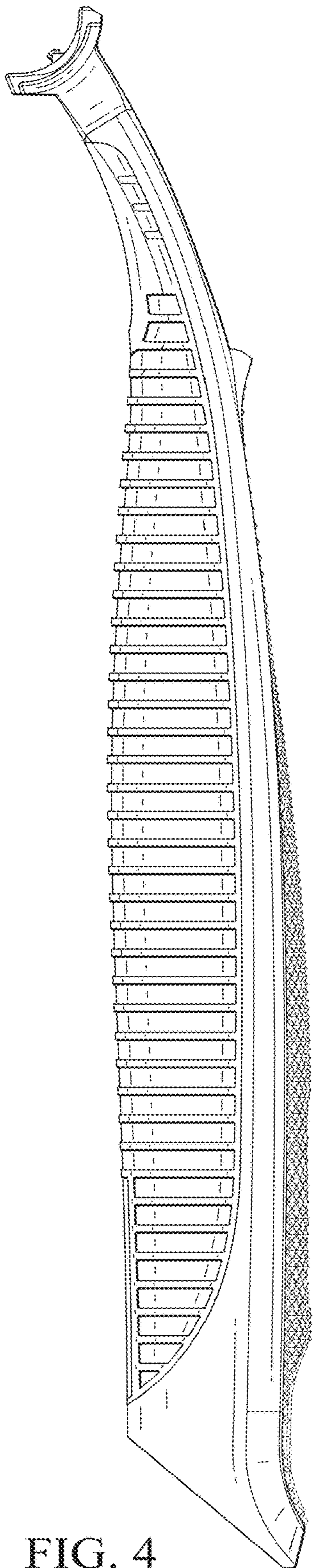


FIG. 4

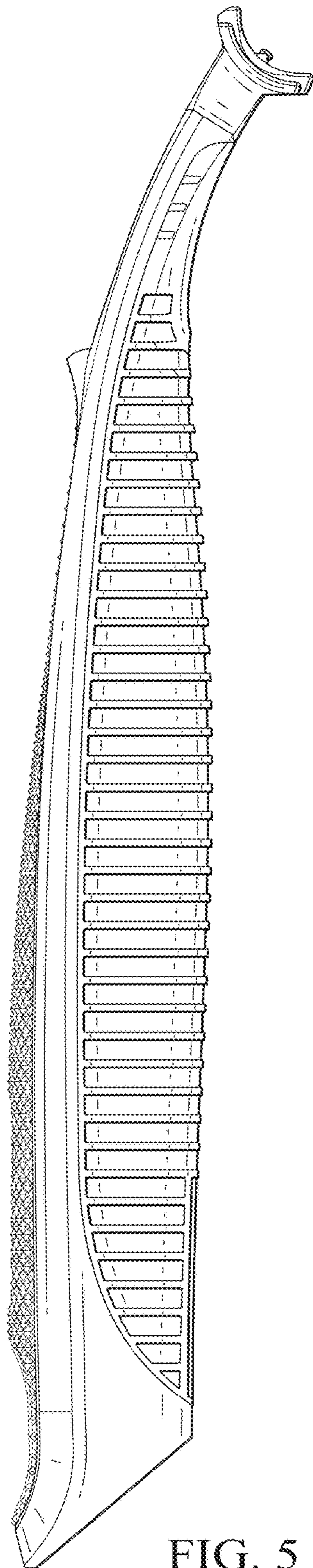


FIG. 5

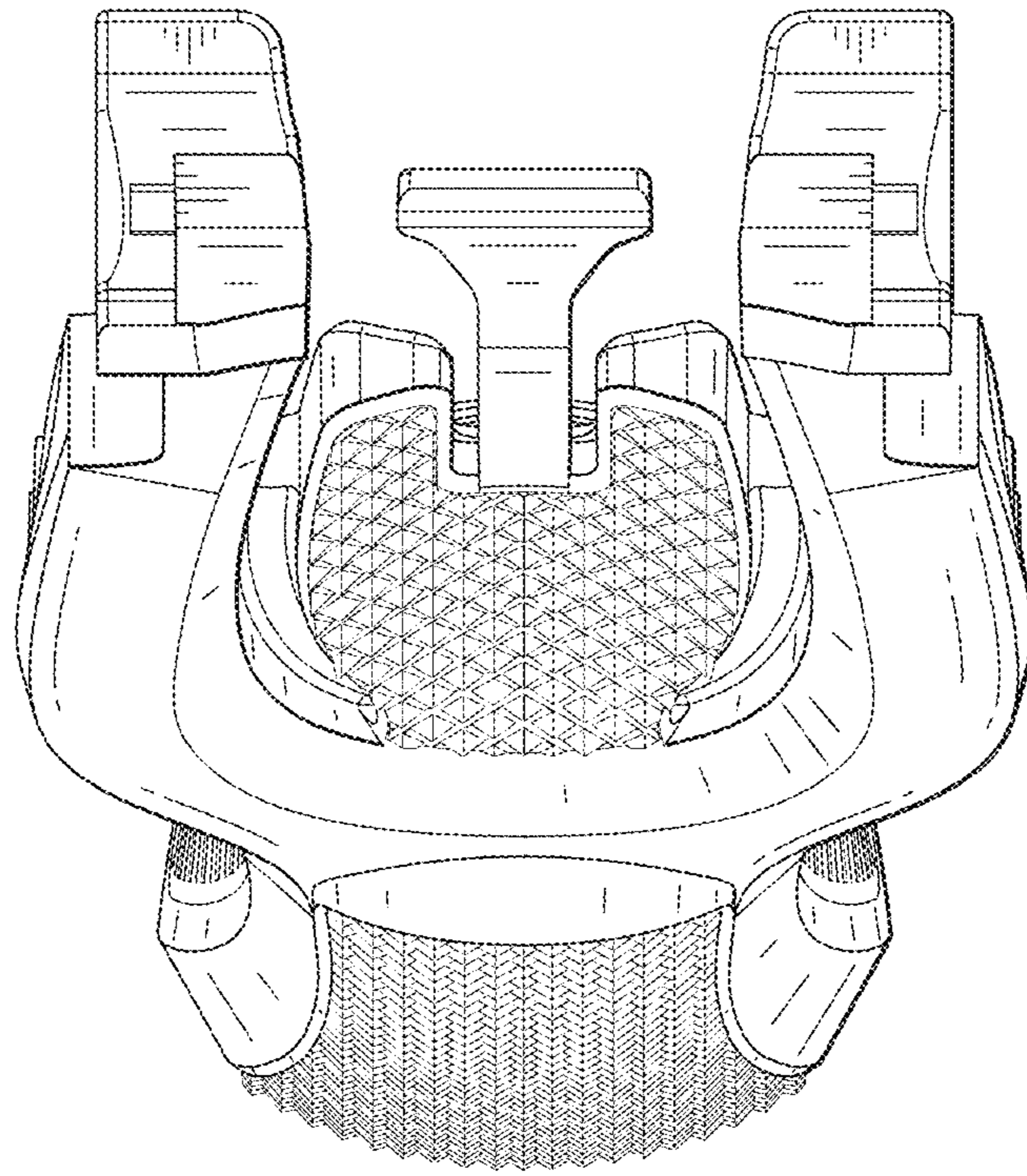


FIG. 6

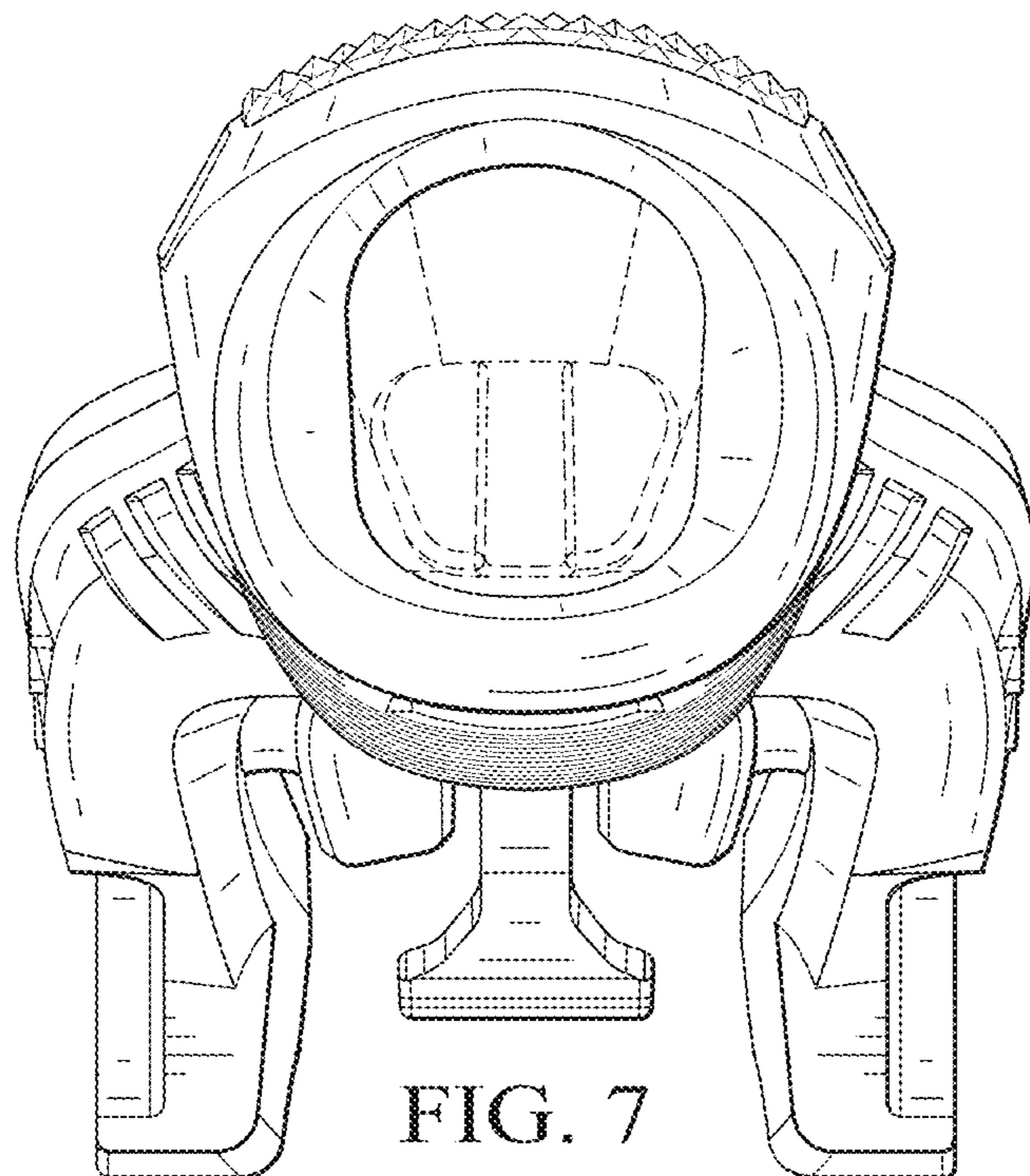


FIG. 7

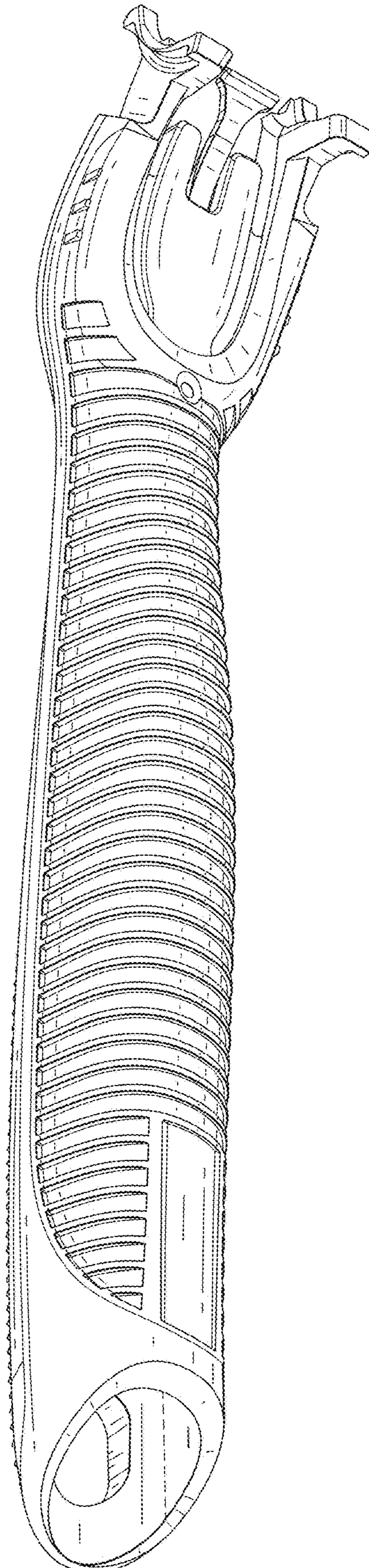


FIG. 8