



US00D968704S

(12) **United States Design Patent** (10) **Patent No.:** **US D968,704 S**  
**Zhou** (45) **Date of Patent:** **\*\* Nov. 1, 2022**

(54) **LASER HAIR REMOVAL DEVICE**

FOREIGN PATENT DOCUMENTS

(71) Applicant: **Shenzhen Qiaochengli Technology Co., Ltd.**, Shenzhen (CN)

CN 305975802 \* 8/2020

(72) Inventor: **Liping Zhou**, Guangdong (CN)

(\*\*) Term: **15 Years**

(21) Appl. No.: **29/748,728**

(22) Filed: **Sep. 1, 2020**

(51) **LOC (13) Cl.** ..... **28-03**

(52) **U.S. Cl.**  
USPC ..... **D28/44.1**

(58) **Field of Classification Search**  
USPC ..... D24/133, 200, 209, 214; D28/9, 10, 44, D28/44.1  
CPC ..... A45D 26/00; A45D 26/0004-0009; A45D 26/0057; A45D 26/0071; A61B 2018/0047; A61B 2018/000467  
See application file for complete search history.

OTHER PUBLICATIONS

IPL Hair Removal Device Permanent, 999,000 Light Pulses Painless Long Lasting Hair Remover Machine for Women and Men, Face,Bikini,Body, posted Dec. 2, 2020 [online], [retrieved Aug. 3, 2022]. Retrieved from internet, <https://www.amazon.co.uk/Hair-Removal-Device-Permanent-Devices/dp/B093C6DNT5/> (Year: 2020).\*  
INNAZA T20 IPL Hair Removal Unboxing, posted Aug. 30, 2021 [online], [retrieved Aug. 3, 2022]. Retrieved from internet, <https://www.youtube.com/watch?v=sRsshB4FiJc> (Year: 2021).\*  
New product alert ♥, posted Aug. 23, 2021 [online], [retrieved Aug. 3, 2022]. Retrieved from internet, <https://www.facebook.com/innzabeauty/> (Year: 2021).\*

\* cited by examiner

*Primary Examiner* — Alison M Ofstun  
*Assistant Examiner* — Evin Franklin George Ershock

(57) **CLAIM**

The ornamental design for a laser hair removal device, as shown and described.

**DESCRIPTION**

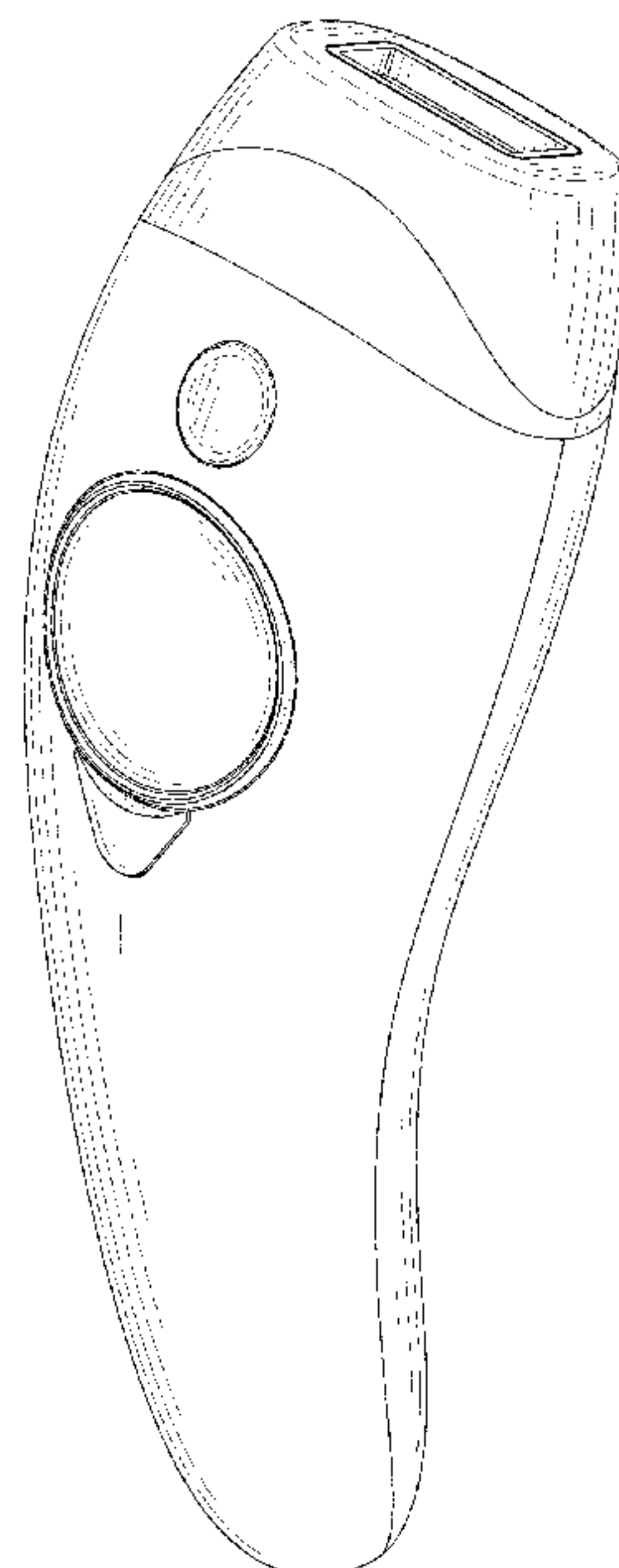
FIG. 1 is a front and top perspective view of a laser hair removal device, showing my new design;  
FIG. 2 is a rear and top perspective view thereof;  
FIG. 3 is a front elevational view thereof;  
FIG. 4 is a rear elevational view thereof;  
FIG. 5 is a left side elevational view thereof;  
FIG. 6 is a right side elevational view thereof;  
FIG. 7 is a top plan view thereof; and,  
FIG. 8 is a bottom plan view thereof.  
The broken lines in the figures illustrate portions of the article that form no part of the claimed design.

**1 Claim, 8 Drawing Sheets**

(56) **References Cited**

U.S. PATENT DOCUMENTS

D924,206 S *	7/2021	Yoon	.....	D14/218
D939,142 S *	12/2021	Liu	.....	D24/209
D939,770 S *	12/2021	Yao	.....	D24/209
D940,953 S *	1/2022	Thalmann	.....	D24/209
D940,954 S *	1/2022	Huang	.....	D24/209
D942,684 S *	2/2022	Pan	.....	D24/209
D942,686 S *	2/2022	Goeder	.....	D28/51
D944,452 S *	2/2022	Li	.....	D24/209
D945,062 S *	3/2022	Zhou	.....	D24/209
D946,826 S *	3/2022	Gong	.....	D24/209
D948,121 S *	4/2022	Yao	.....	D24/209
D948,789 S *	4/2022	Huang	.....	D24/209
2022/0047333 A1 *	2/2022	Buil	.....	A61B 8/4254



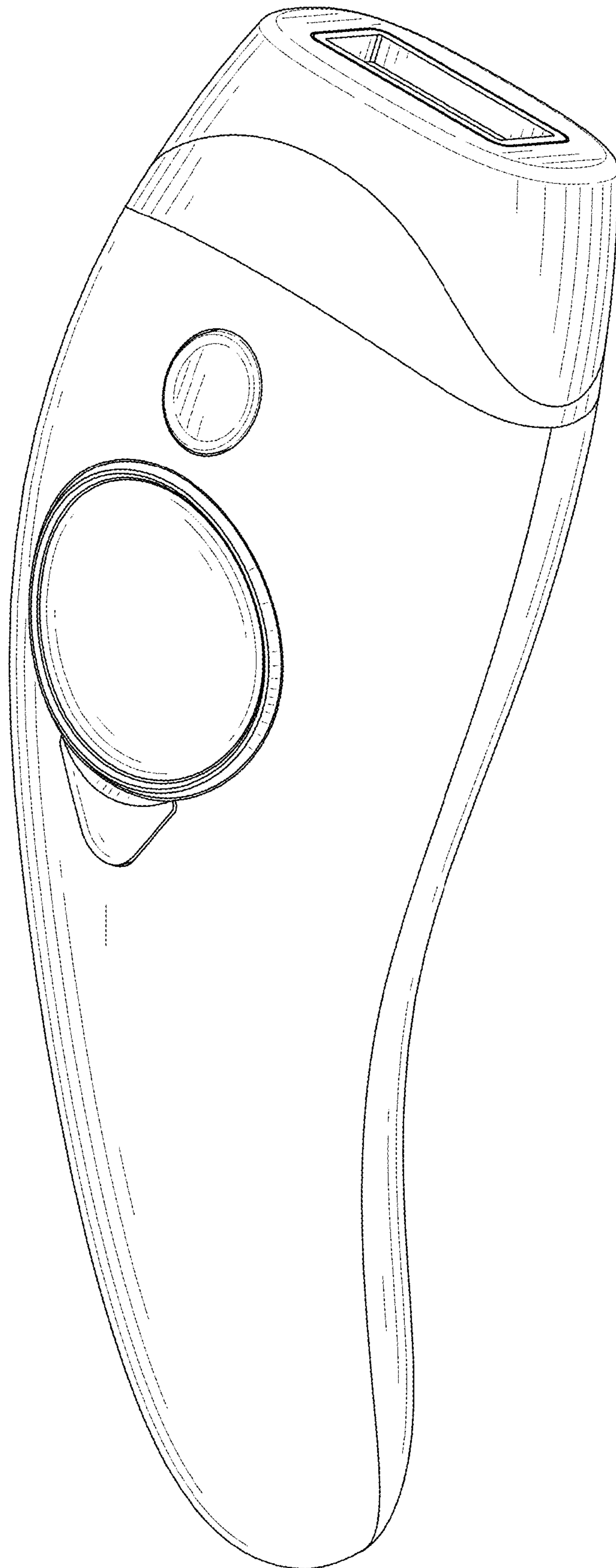


FIG. 1

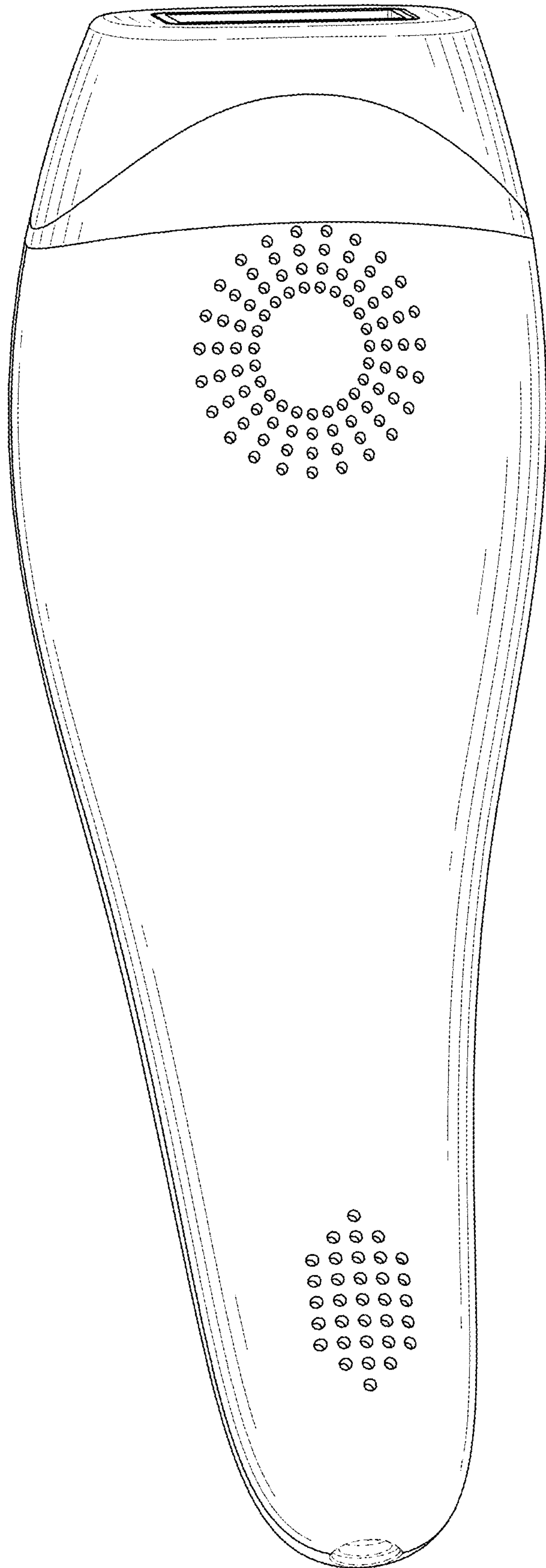


FIG. 2

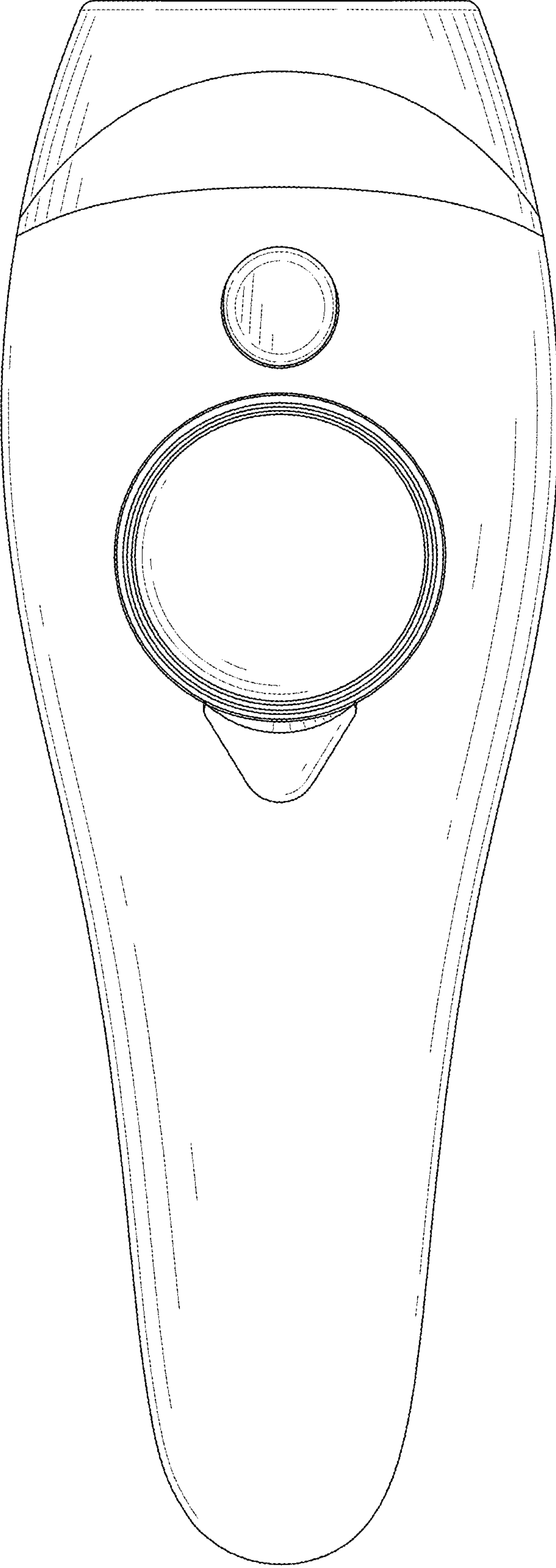


FIG. 3

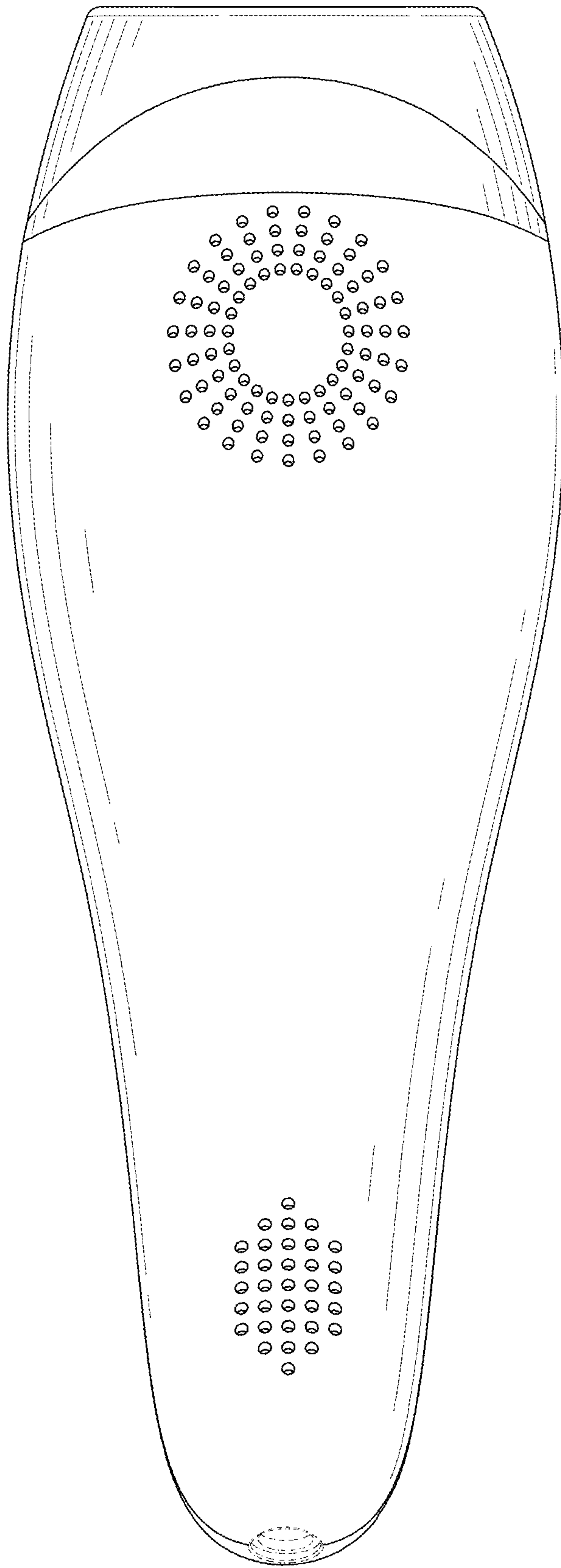


FIG. 4



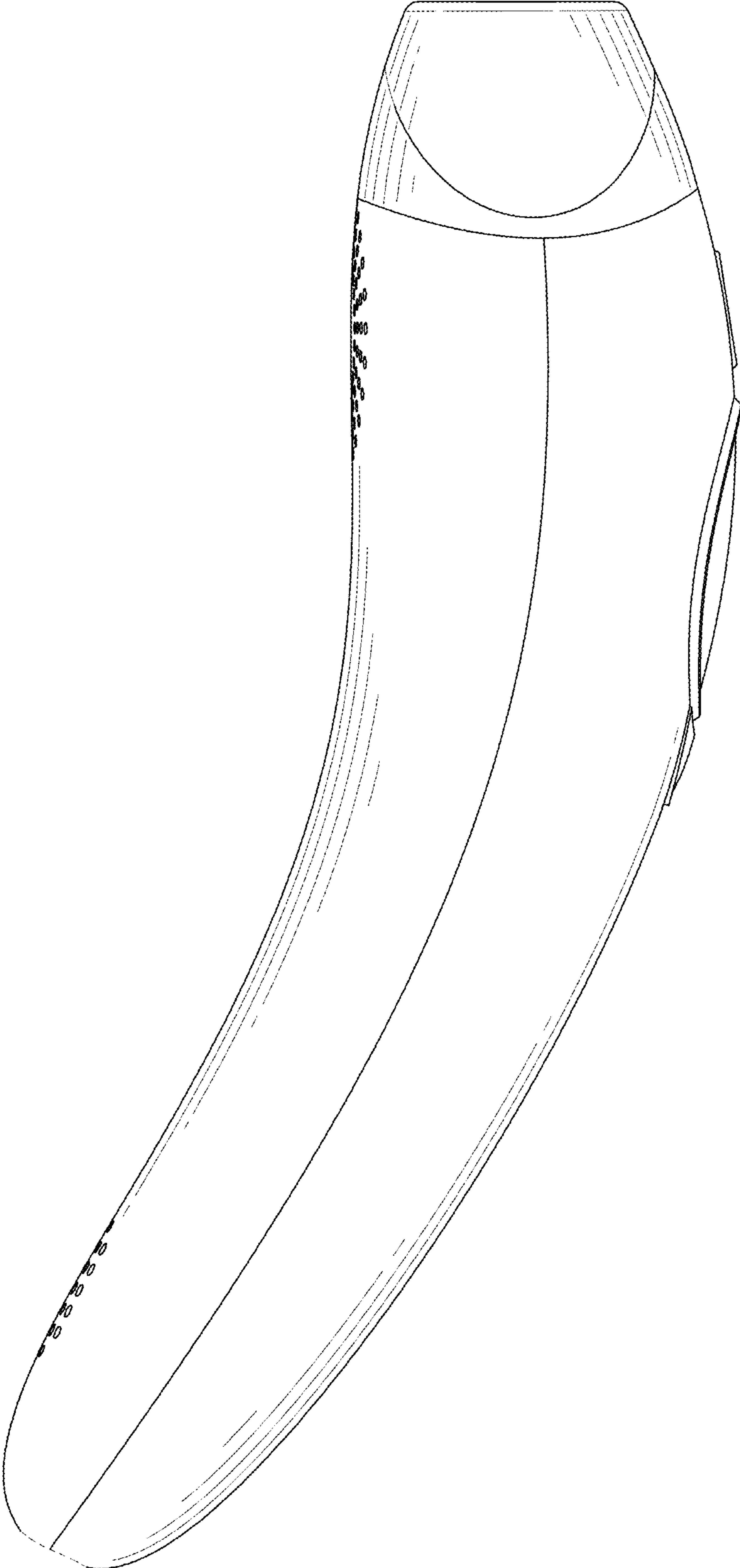


FIG. 5

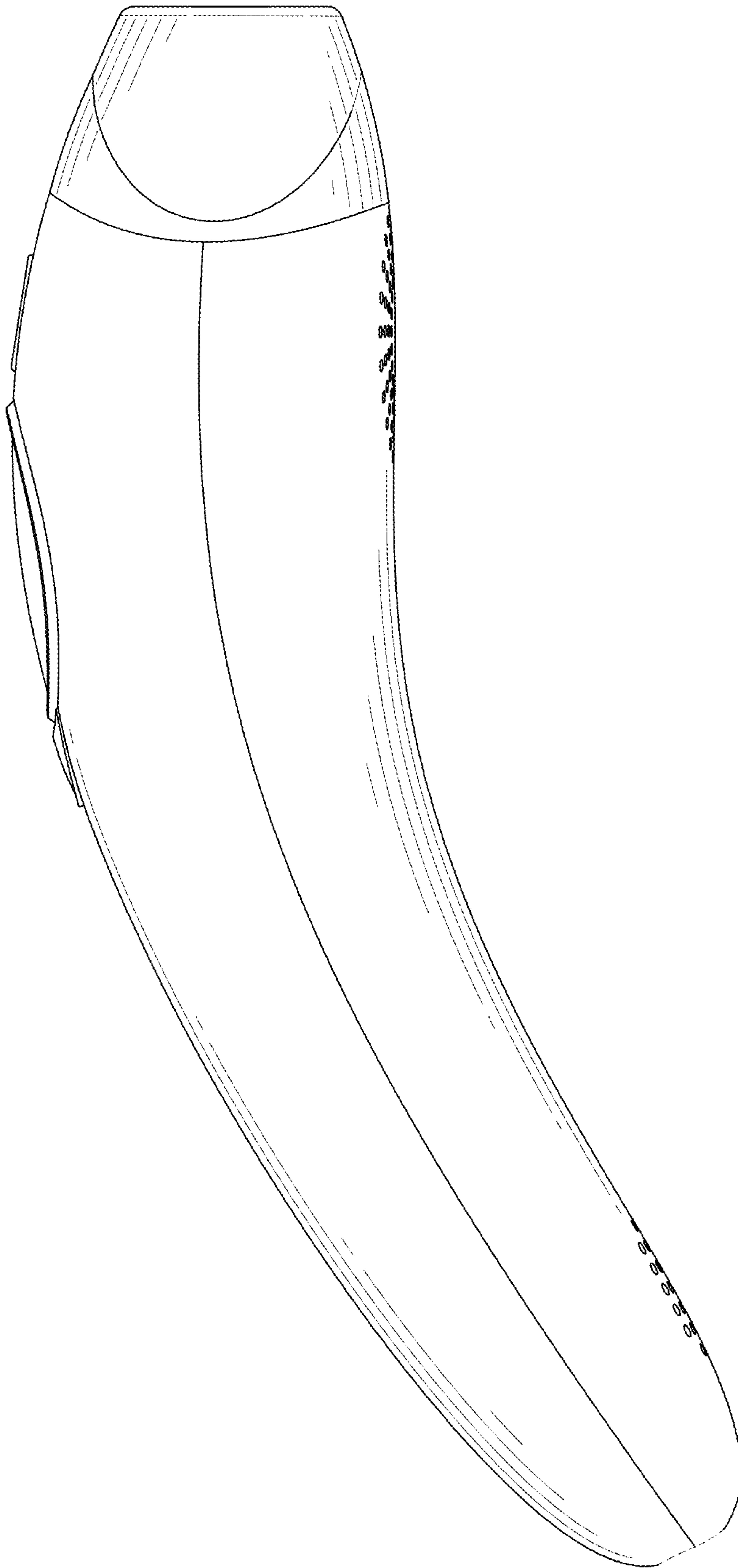


FIG. 6

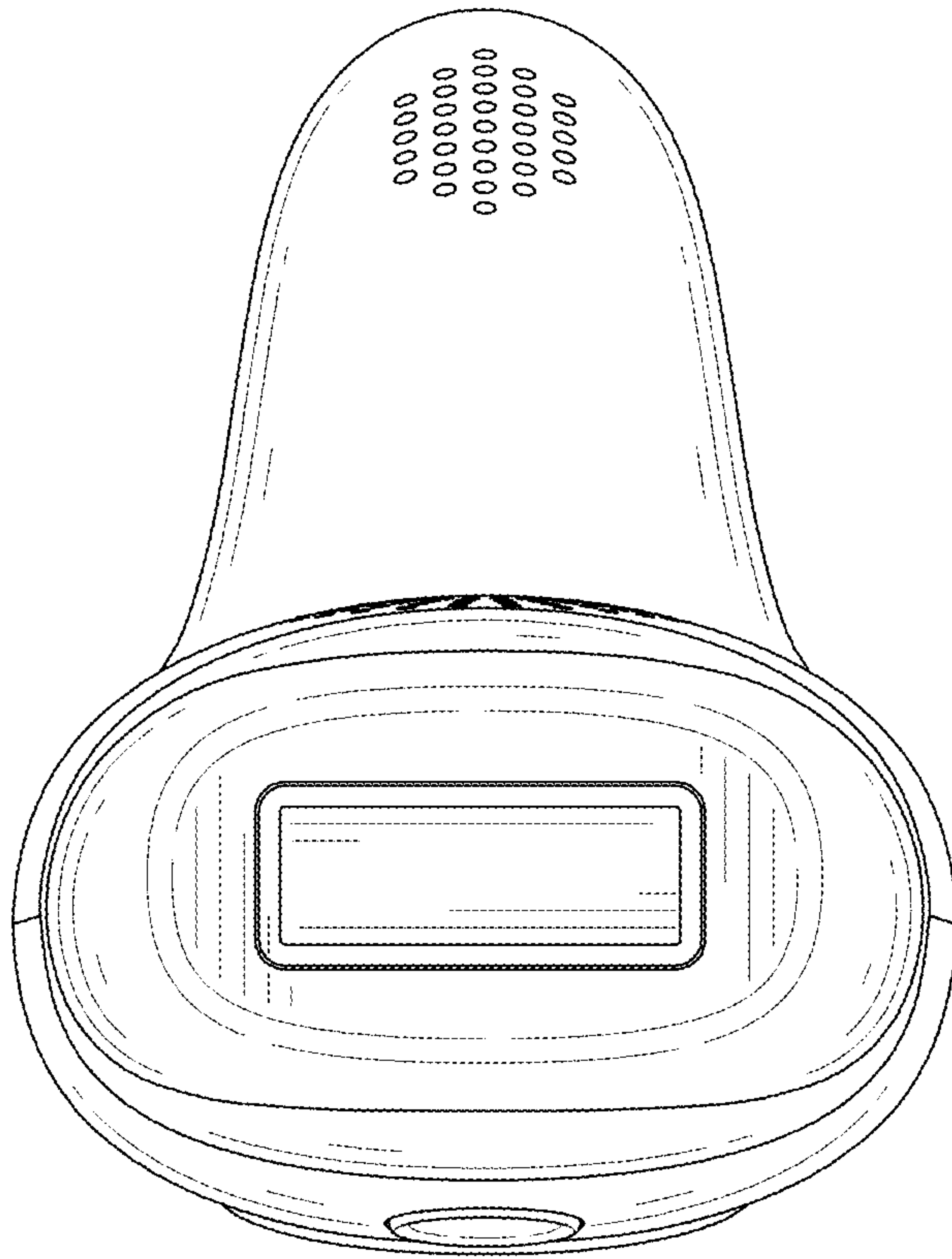


FIG. 7



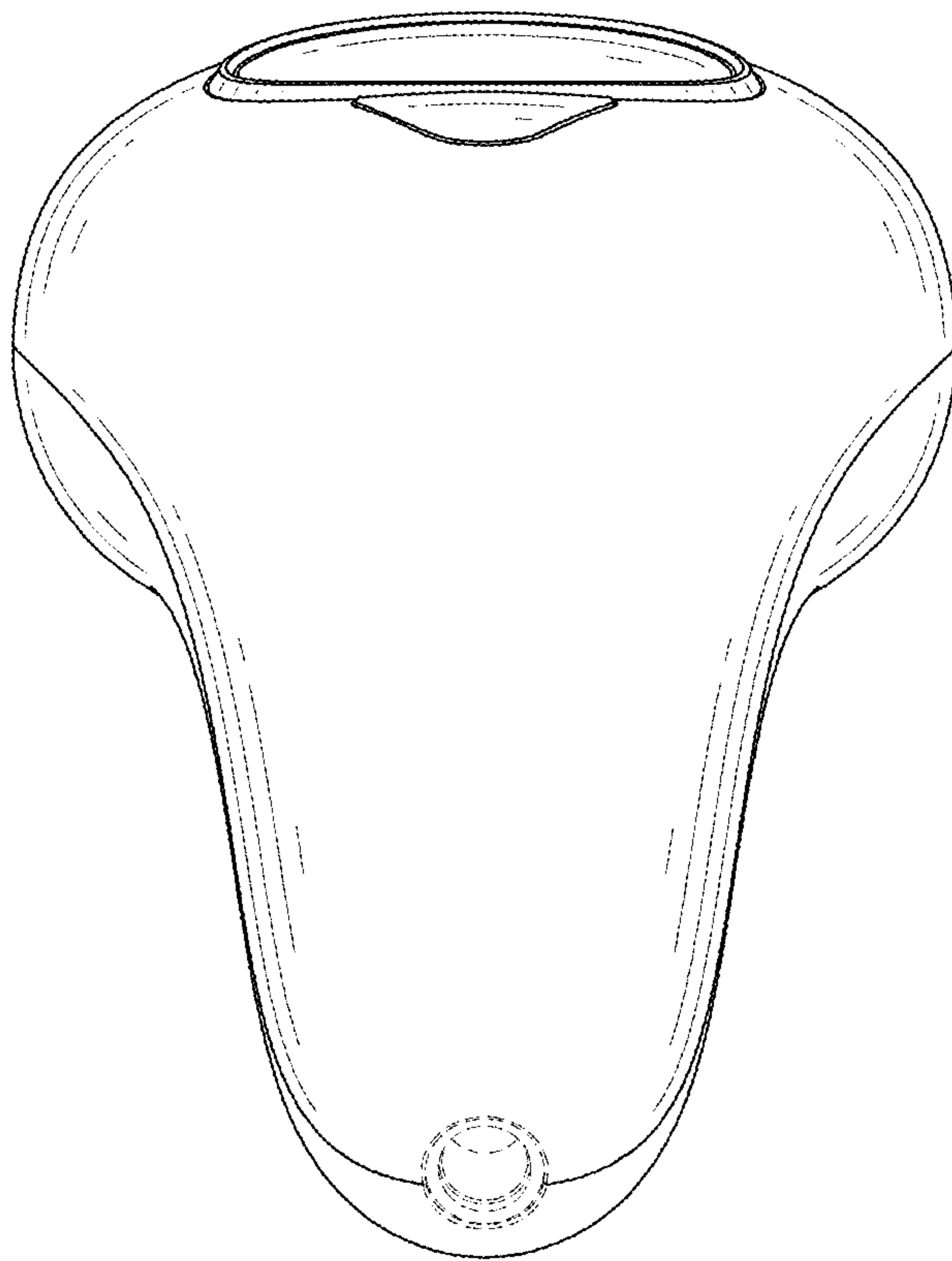


FIG. 8