



US00D968703S

(12) **United States Design Patent**
Iozzelli et al.

(10) **Patent No.:** **US D968,703 S**
(45) **Date of Patent:** **** Nov. 1, 2022**

(54) **HAIR CUTTER**
(71) Applicant: **S.E.C. DI ANDREI SERENA & C.**
S.N.C., Florence (IT)
(72) Inventors: **Carlo Iozzelli, Florence (IT);**
Alessandro Pezzica, Florence (IT);
Alessandro Mangone, Florence (IT)
(73) Assignee: **S.E.C. DI ANDREI SERENA & C.**
S.N.C., Florence (IT)
(**) Term: **15 Years**
(21) Appl. No.: **35/511,759**
(22) Filed: **Apr. 13, 2021**
(80) **Hague Agreement Data**
Int. Filing Date: **Apr. 13, 2021**
Int. Reg. No.: **DM/213805**
Int. Reg. Date: **Apr. 13, 2021**
Int. Reg. Pub. Date: **Apr. 30, 2021**

(30) **Foreign Application Priority Data**
Oct. 16, 2020 (IT) 402020000003079
(51) **LOC (13) Cl.** **28-03**
(52) **U.S. Cl.**
USPC **D28/44**
CPC **B26B 21/14** (2013.01)
(58) **Field of Classification Search**
USPC D28/25, 44, 45, 52
CPC B26B 21/522; B26B 21/14; B26B 21/04;
B26B 21/4031; B26B 21/523; B26B
21/4012; B26B 21/443
See application file for complete search history.

(56) **References Cited**
U.S. PATENT DOCUMENTS
D139,696 S * 12/1944 Pileggi D28/25
2,620,559 A * 12/1952 Verdi B26B 21/125
132/148

2,849,793 A * 9/1958 Cordaro B26B 21/02
30/53
2,972,187 A * 2/1961 Gore B26B 21/12
30/53
3,165,831 A * 1/1965 Carrol A45D 24/36
30/53
D208,345 S * 8/1967 Battaglia D28/25
3,599,327 A * 8/1971 Calandra A45D 24/10
30/30
3,603,323 A * 9/1971 Avella A45D 24/04
132/131
3,855,696 A * 12/1974 Spanel B26B 21/12
30/55
3,947,960 A * 4/1976 Urbaniak B26B 21/10
30/53
4,125,940 A * 11/1978 Ihasz B26B 19/20
30/220
D276,751 S * 12/1984 Kahn D28/45
D302,343 S * 7/1989 Babatunde D28/25
D344,155 S * 2/1994 Ueno D8/98
D353,685 S * 12/1994 Ido D28/45
6,092,288 A * 7/2000 Adachi B26B 21/10
30/337

(Continued)

Primary Examiner — Richard E Chilcot
(74) *Attorney, Agent, or Firm* — Thomas | Horstemeyer,
LLP

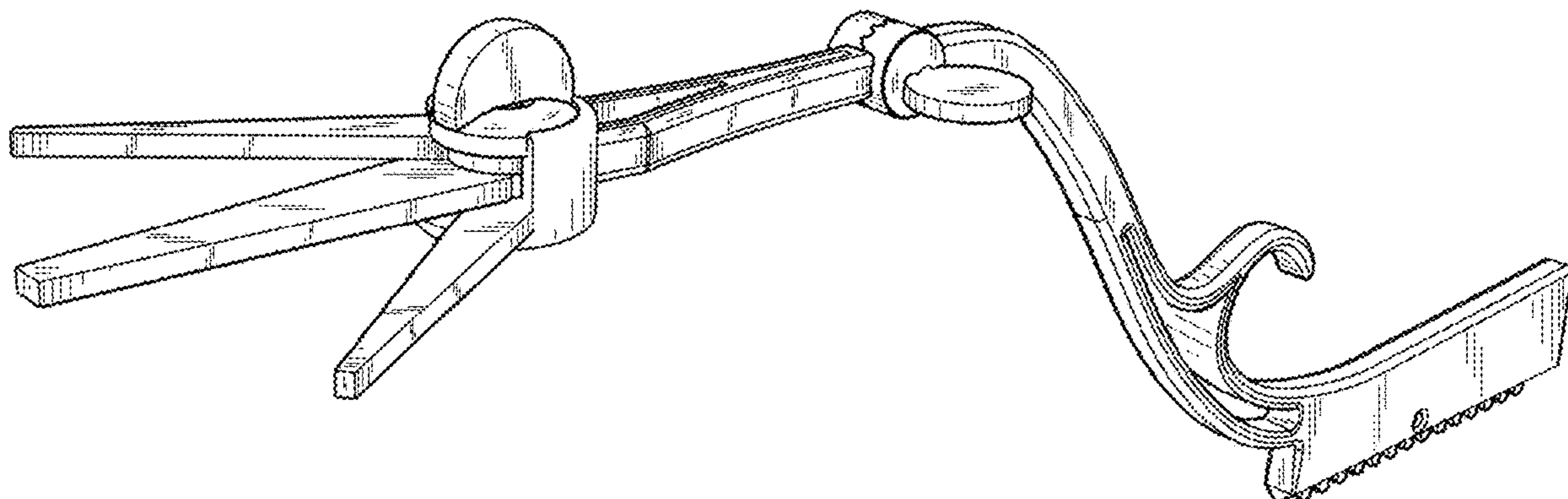
(57) **CLAIM**

The ornamental design for a hair cutter, as shown and described.

DESCRIPTION

1. Hair cutter
FIG. 1.1 is a front perspective view of the claimed design;
FIG. 1.2 is a left view thereof;
FIG. 1.3 is a right view thereof;
FIG. 1.4 is a top view thereof;
FIG. 1.5 is a bottom view thereof;
FIG. 1.6 is a rear view thereof;
FIG. 1.7 is a front view thereof.

1 Claim, 7 Drawing Sheets



(56)

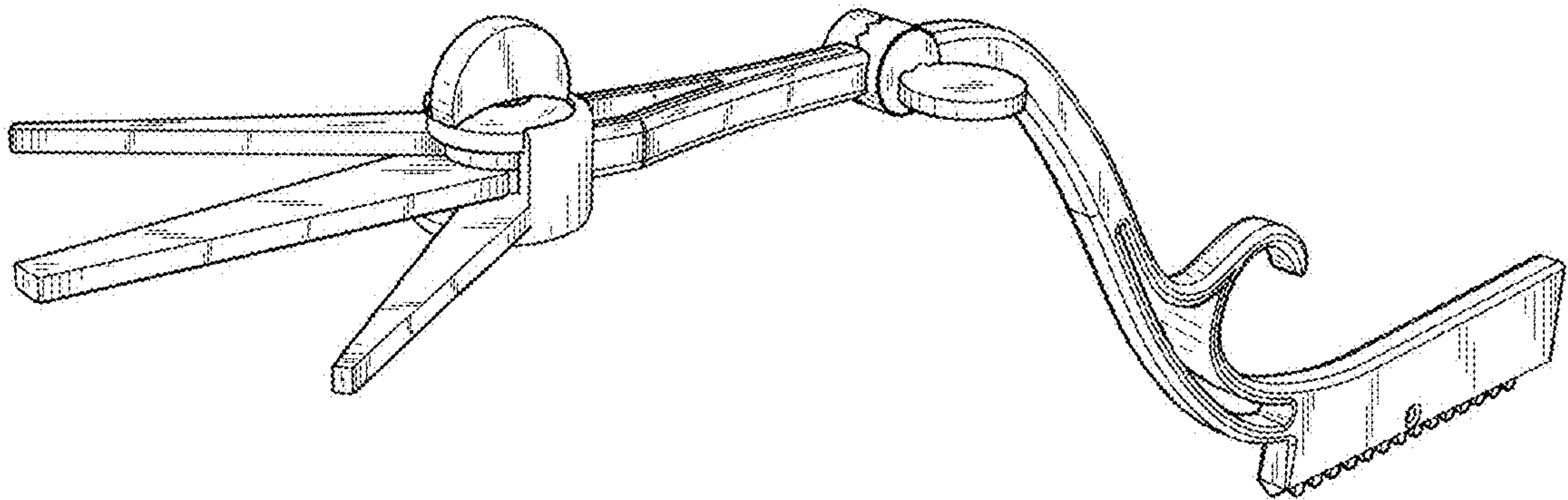
References Cited

U.S. PATENT DOCUMENTS

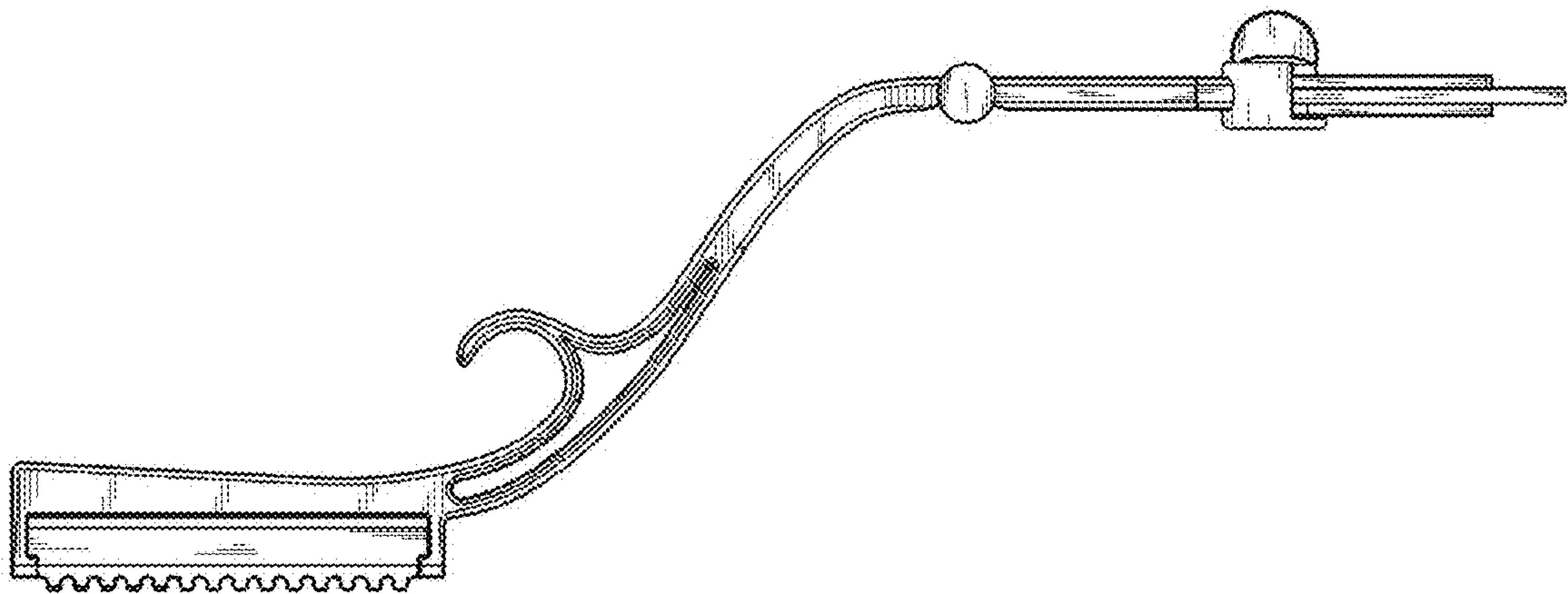
6,094,820	A *	8/2000	Adachi	B26B 21/12 30/30
D448,116	S *	9/2001	Granito	D28/52
D465,066	S *	10/2002	Ido	D28/45
D547,005	S *	7/2007	Granito	D28/25
7,926,183	B2 *	4/2011	Groh	B26B 21/12 30/53
D642,740	S *	8/2011	Chiodo	D28/44
D799,116	S *	10/2017	Granito	D28/25
D845,542	S *	4/2019	Granito	D28/25
10,543,609	B2 *	1/2020	Dryfhout	B26B 21/522
11,351,686	B2 *	6/2022	Godlieb	B26B 19/388
2004/0181944	A1 *	9/2004	Clark	B26B 21/525 30/337
2007/0209214	A1 *	9/2007	Kamemura	B26B 13/24 30/233
2008/0115735	A1 *	5/2008	Wang	A01K 13/002 30/30
2010/0294295	A1 *	11/2010	Saiki	B26B 21/04 30/526
2012/0047748	A1 *	3/2012	Buchan	B26B 21/00 132/200

* cited by examiner

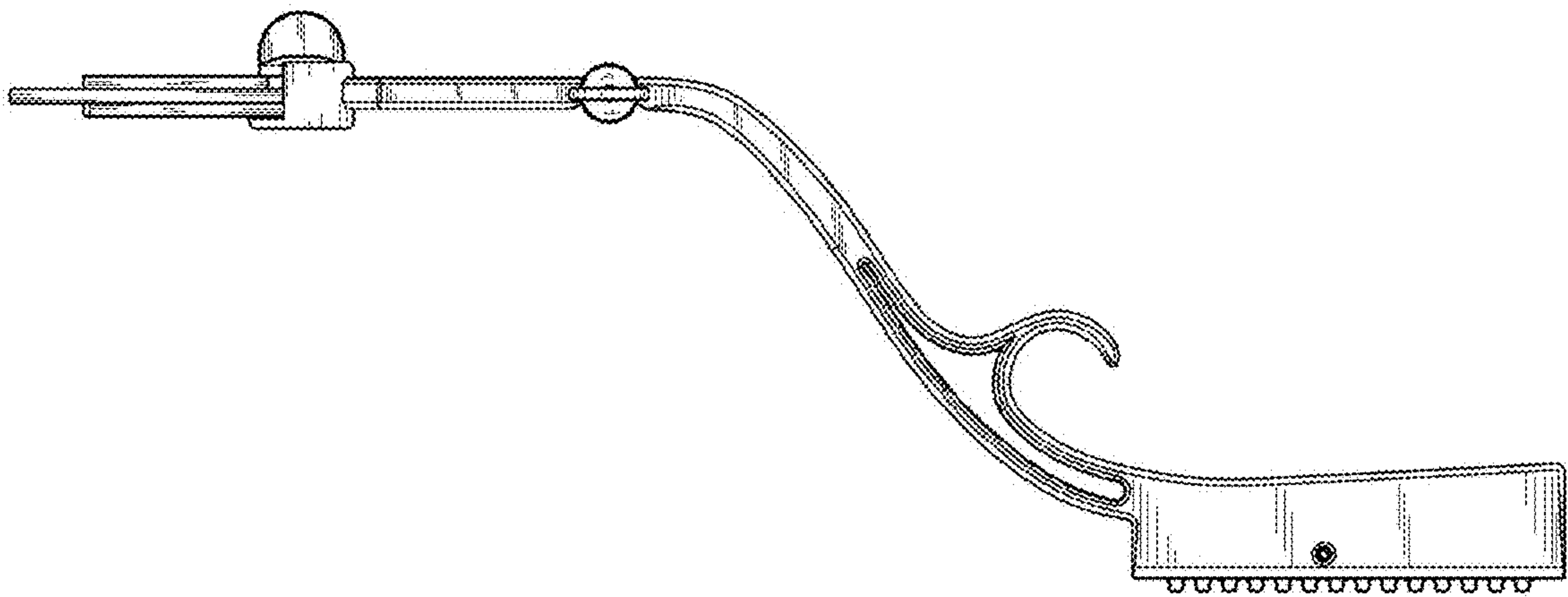
1.1



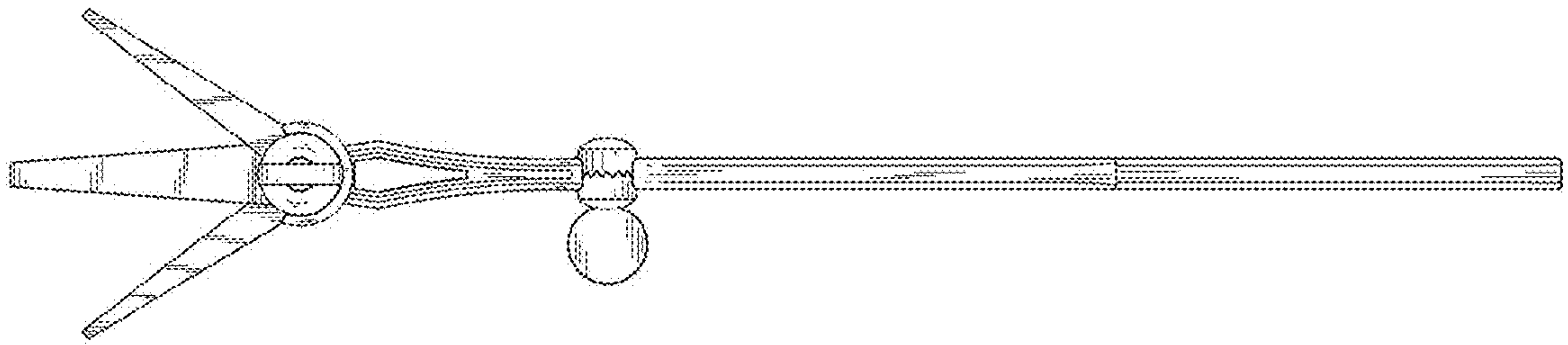
1.2



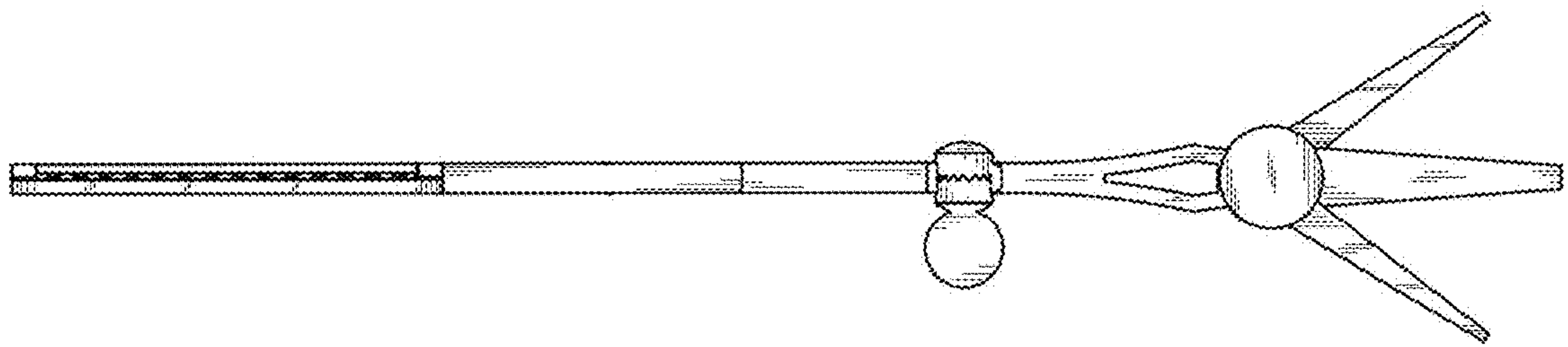
1.3



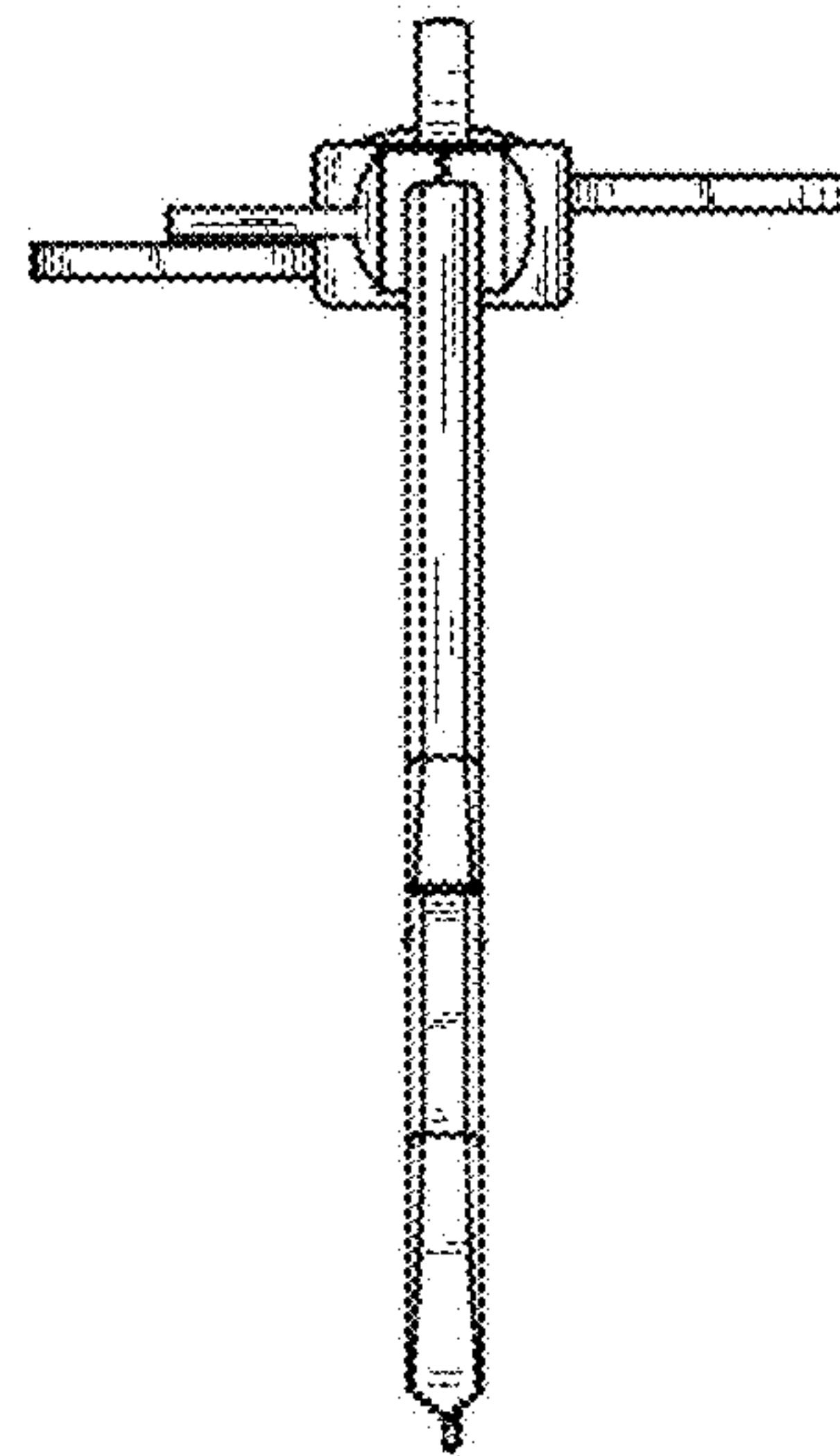
1.4



1.5



1.6



1.7

