



US00D968700S

(12) **United States Design Patent** (10) **Patent No.:** **US D968,700 S**  
**Liao** (45) **Date of Patent:** **\*\* Nov. 1, 2022**

(54) **HAIR STRAIGHTENER**  
(71) Applicant: **Dongguan Shengming Industrial Co., Ltd, Guangdong (CN)**

(72) Inventor: **Shengwang Liao, Jiangxi (CN)**

(\*\*) Term: **15 Years**

(21) Appl. No.: **29/757,651**

(22) Filed: **Nov. 8, 2020**

(51) **LOC (13) Cl.** ..... **28-03**

(52) **U.S. Cl.**  
USPC ..... **D28/35; D28/15; D4/133**

(58) **Field of Classification Search**  
USPC .... D28/13, 21, 24, 25, 30, 35; D4/100, 116, D4/117, 128, 130, 132-134  
CPC ... A45D 1/00; A45D 1/02; A45D 1/04; A45D 1/10; A45D 1/16; A45D 1/18; A45D 1/20; A45D 1/28; A45D 2001/004; A45D 2/00; A45D 2/001; A45D 2/002; A45D 2/02; A45D 2/12; A45D 2/36; A45D 4/00; A45D 4/02; A45D 4/04; A45D 4/06; A45D 4/08; A45D 20/00; A45D 20/08; A45D 20/48; A45D 20/50; A45D 20/52

See application file for complete search history.

(56) **References Cited**

**U.S. PATENT DOCUMENTS**

D835,843 S	12/2018	Fan	
D880,061 S *	3/2020	Liao	D28/15
D902,603 S *	11/2020	Zhanye	D28/15
D915,775 S *	4/2021	Moon	D4/128
D916,370 S *	4/2021	Zhang	D4/133
D921,291 S *	6/2021	Zhang	D4/133
D934,498 S *	10/2021	Hillebrecht	D28/35
D941,526 S *	1/2022	Hillebrecht	D28/35
D942,073 S *	1/2022	Huang	D28/35
D942,757 S *	2/2022	Zhang	D28/35
D951,647 S *	5/2022	Xiao	D4/133

D954,445 S *	6/2022	Zhao	D4/128
D957,055 S *	7/2022	Zheng	D28/35
2022/0218095 A1 *	7/2022	Paliobeis	A46B 7/044

**OTHER PUBLICATIONS**

One-Step Volumizer Hot Air Brush, Okelon, first available Apr. 8, 2022, retrieved from: [https://www.amazon.com/One-Step-Volumizer-Styler-Negative-Professional/dp/B09XHGHMGN/ref=sr\\_1\\_101?crid=31Z5PNL3JX571&keywords=hair+dryer+brush&qid=1659716195&sprefix=hair+dryer+brush%2Caps%2C185&sr=8-101](https://www.amazon.com/One-Step-Volumizer-Styler-Negative-Professional/dp/B09XHGHMGN/ref=sr_1_101?crid=31Z5PNL3JX571&keywords=hair+dryer+brush&qid=1659716195&sprefix=hair+dryer+brush%2Caps%2C185&sr=8-101).

\* cited by examiner

*Primary Examiner* — Alison M Ofstun

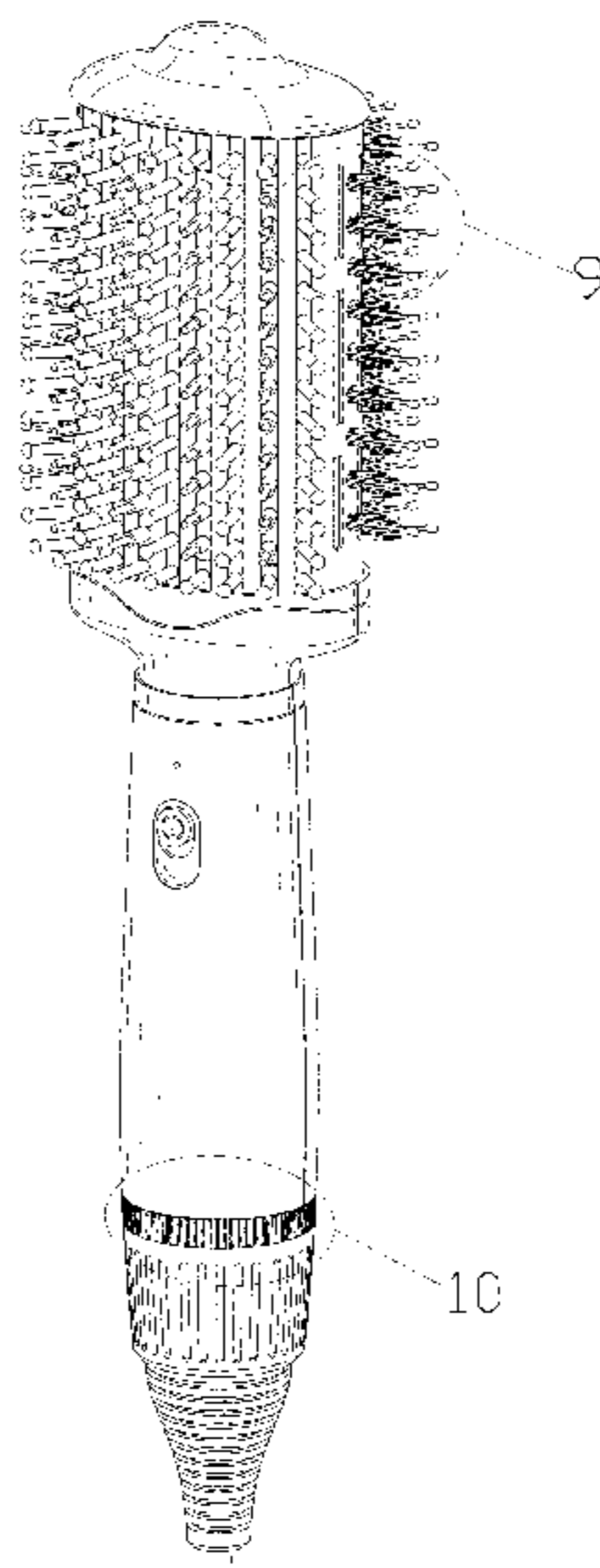
(57) **CLAIM**

The ornamental design for a hair straightener, as shown and described.

**DESCRIPTION**

FIG. 1 is a front and top perspective view of a hair straightener, showing my new design;  
FIG. 2 is a rear and bottom perspective view thereof;  
FIG. 3 is a front elevational view thereof;  
FIG. 4 is a rear elevational view thereof;  
FIG. 5 is a left side elevational view thereof;  
FIG. 6 is a right side elevational view thereof;  
FIG. 7 is a top plan view thereof;  
FIG. 8 is a bottom plan view thereof;  
FIG. 9 is an enlarged view of a portion indicated with numeric 9 in FIG. 1;  
FIG. 10 is an enlarged view of a portion indicated with numeric 10 in FIG. 1; and,  
FIG. 11 is an enlarged view of FIG. 8.  
The dash-dot-dash lines in FIGS. 1, 9 and 10 are for the purpose of illustrating enlarged view indicators and form no part of the claim. The evenly-spaced broken lines in the figures illustrate portions of the hair straightener that form no part of the claimed design.

**1 Claim, 11 Drawing Sheets**



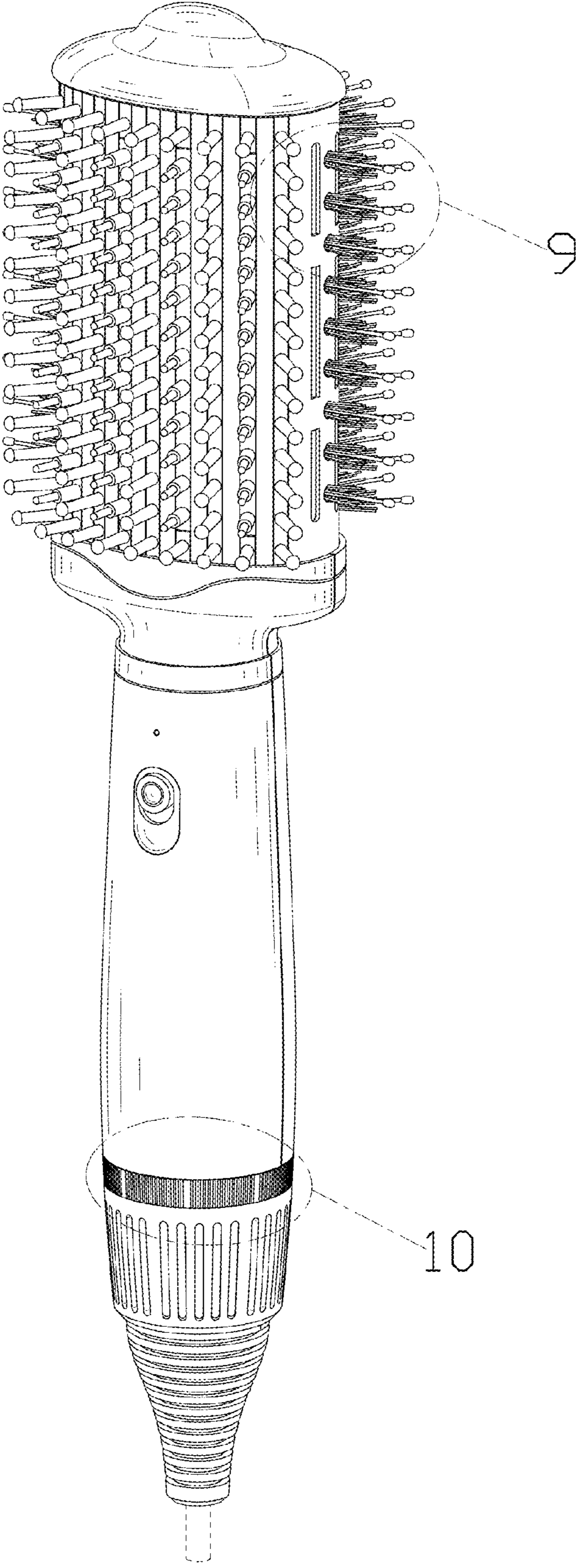


FIG. 1

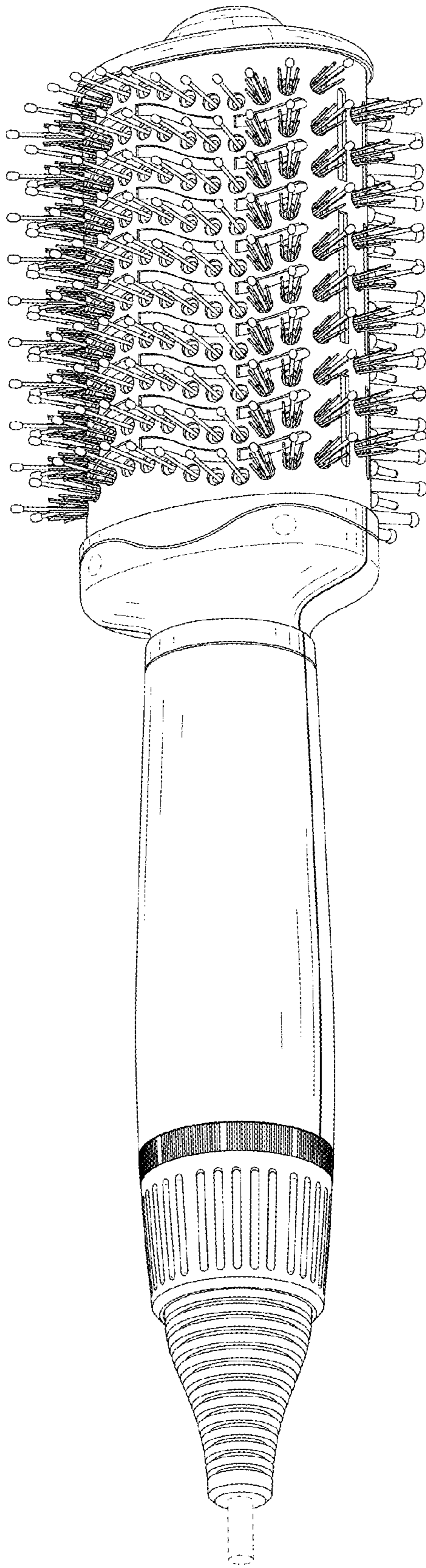


FIG. 2

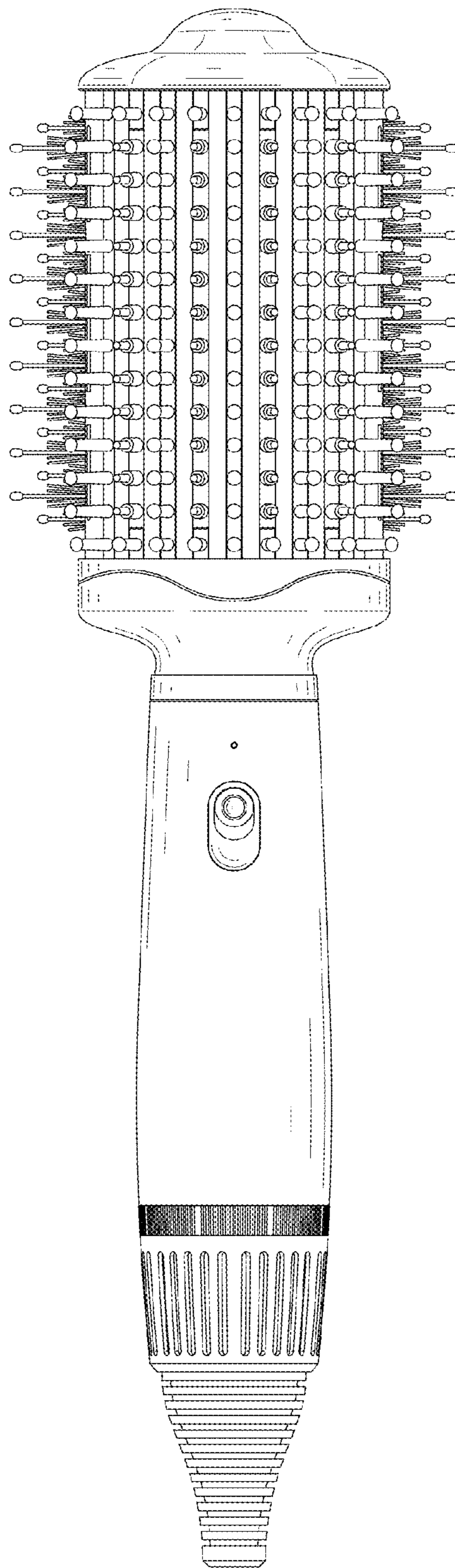


FIG. 3

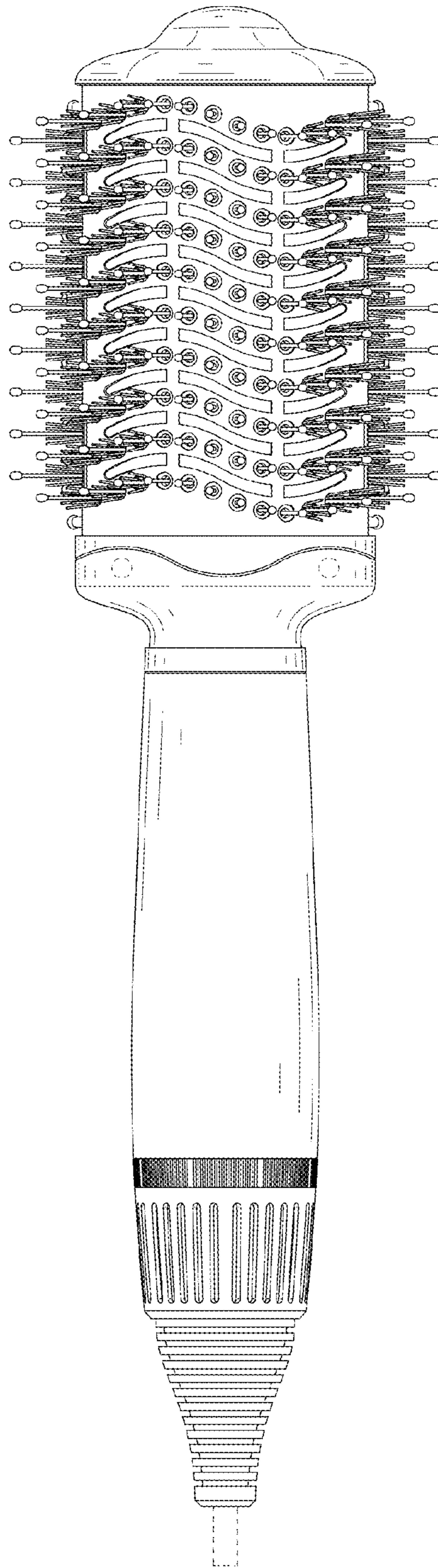


FIG. 4

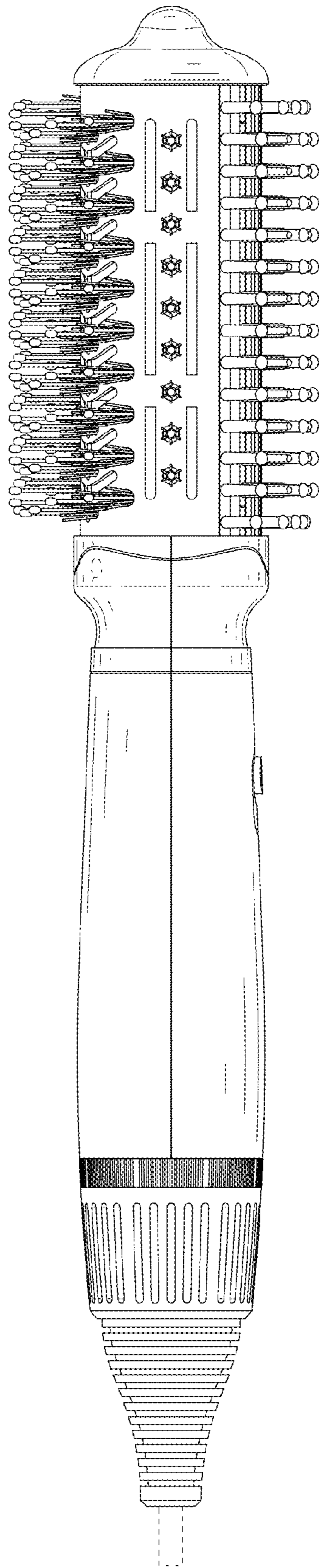


FIG. 5

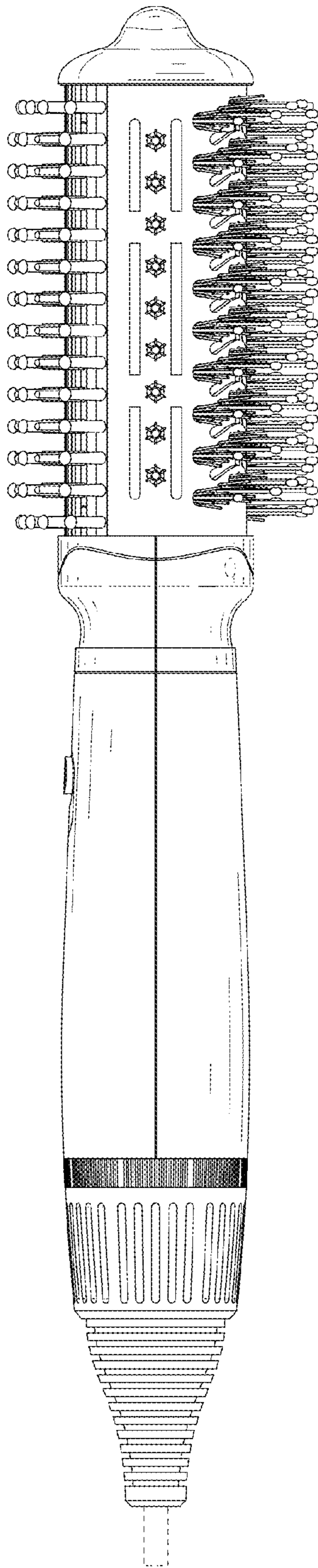


FIG. 6

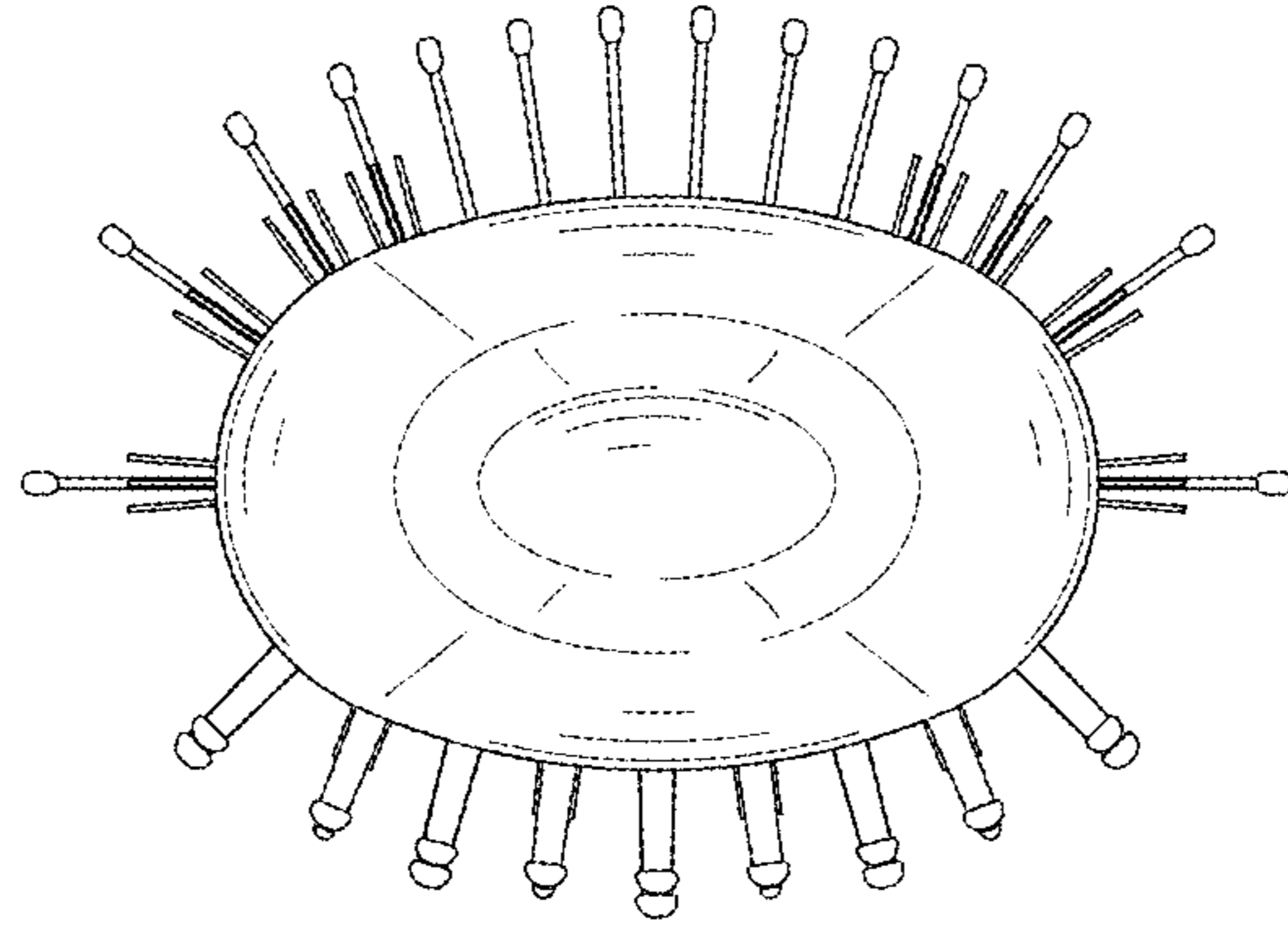


FIG. 7



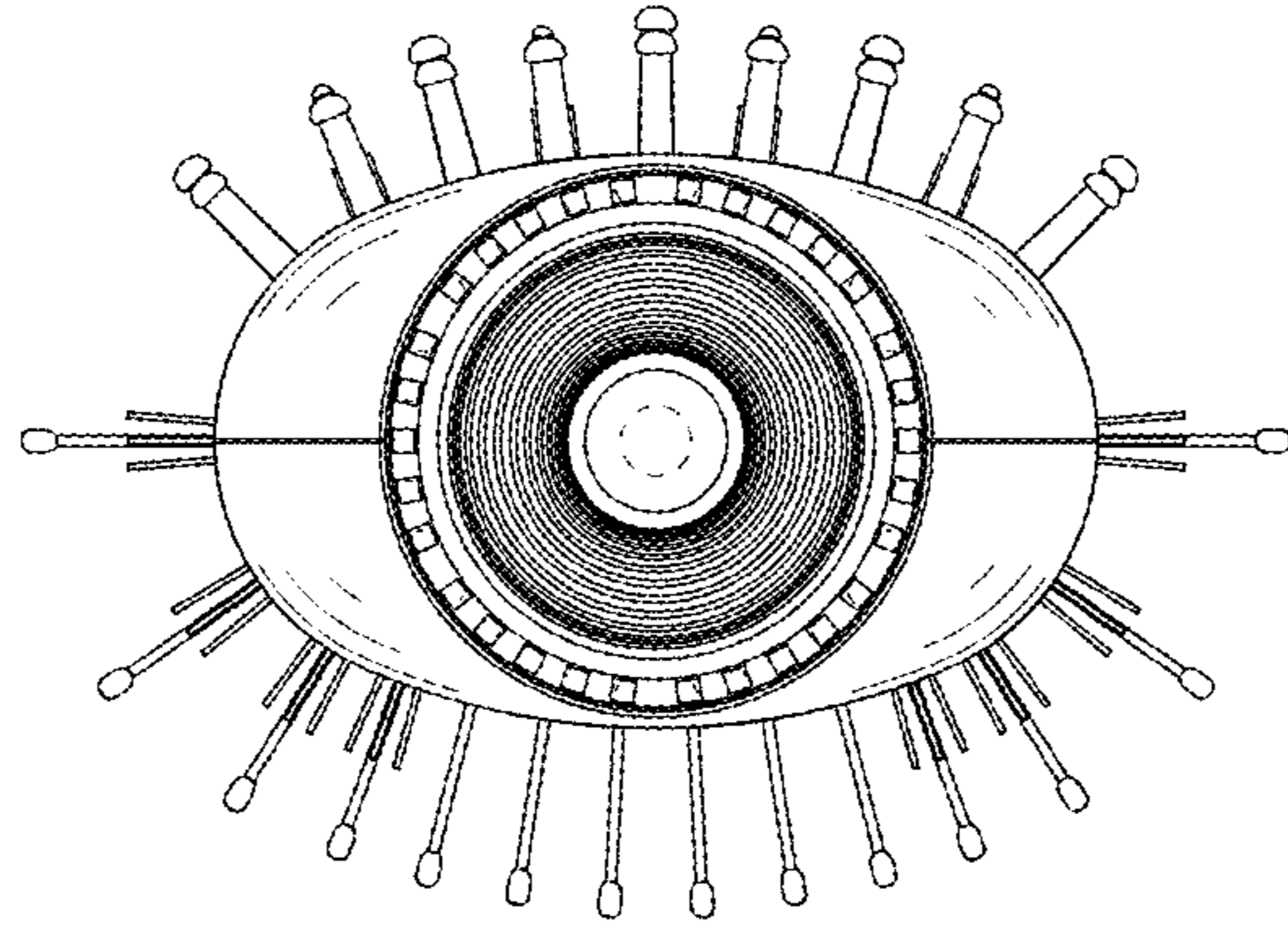


FIG. 8

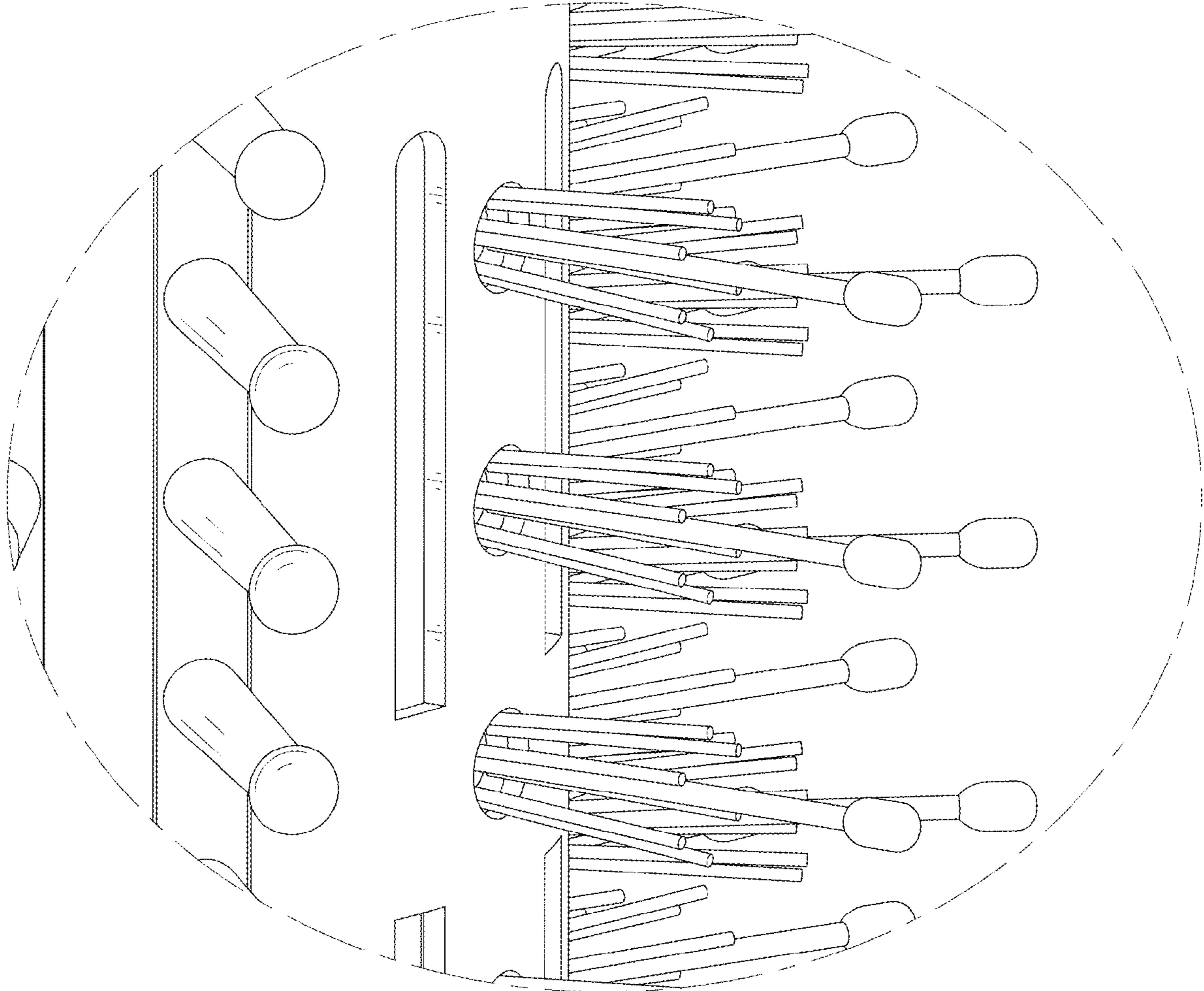


FIG. 9

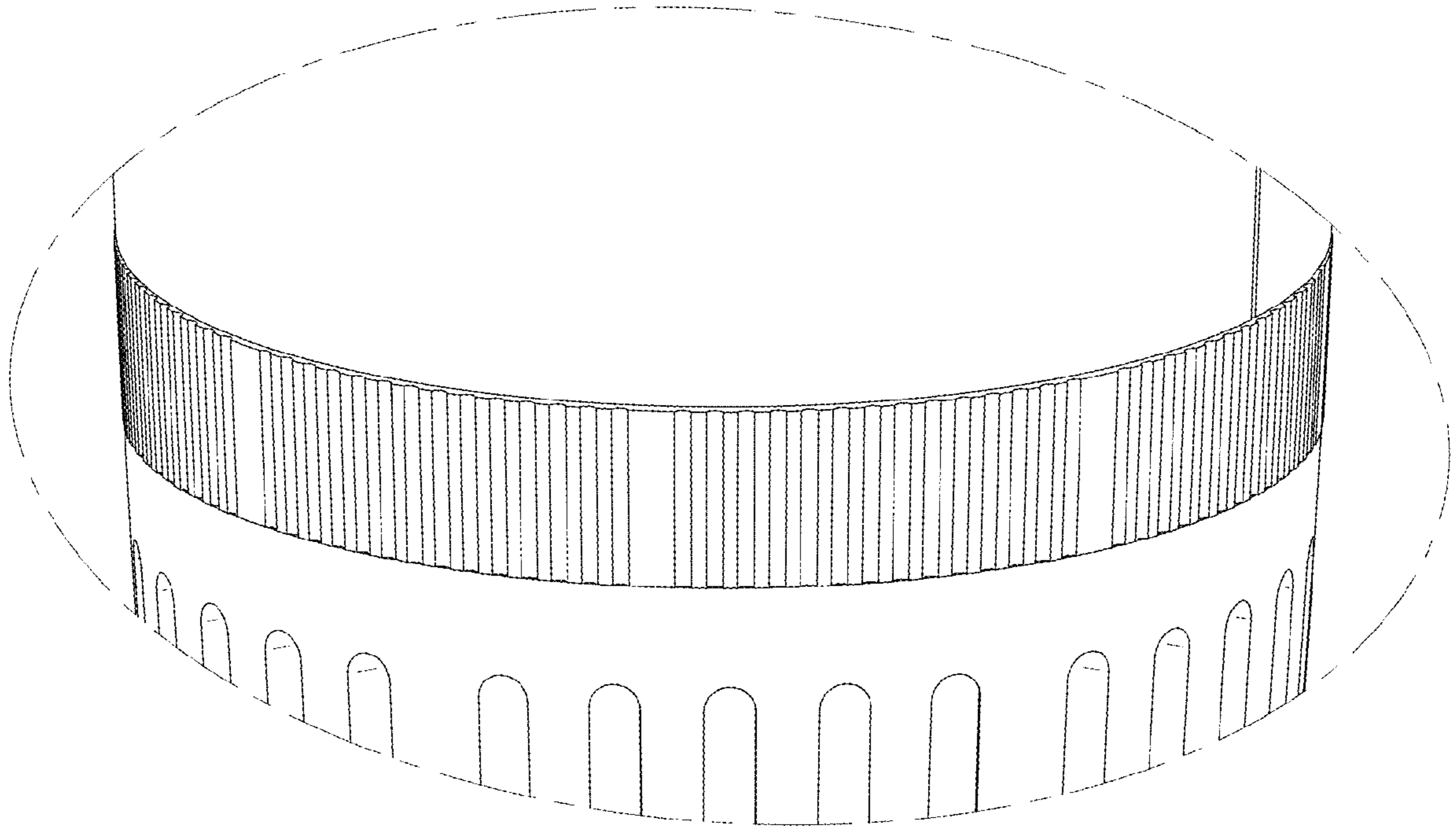


FIG. 10

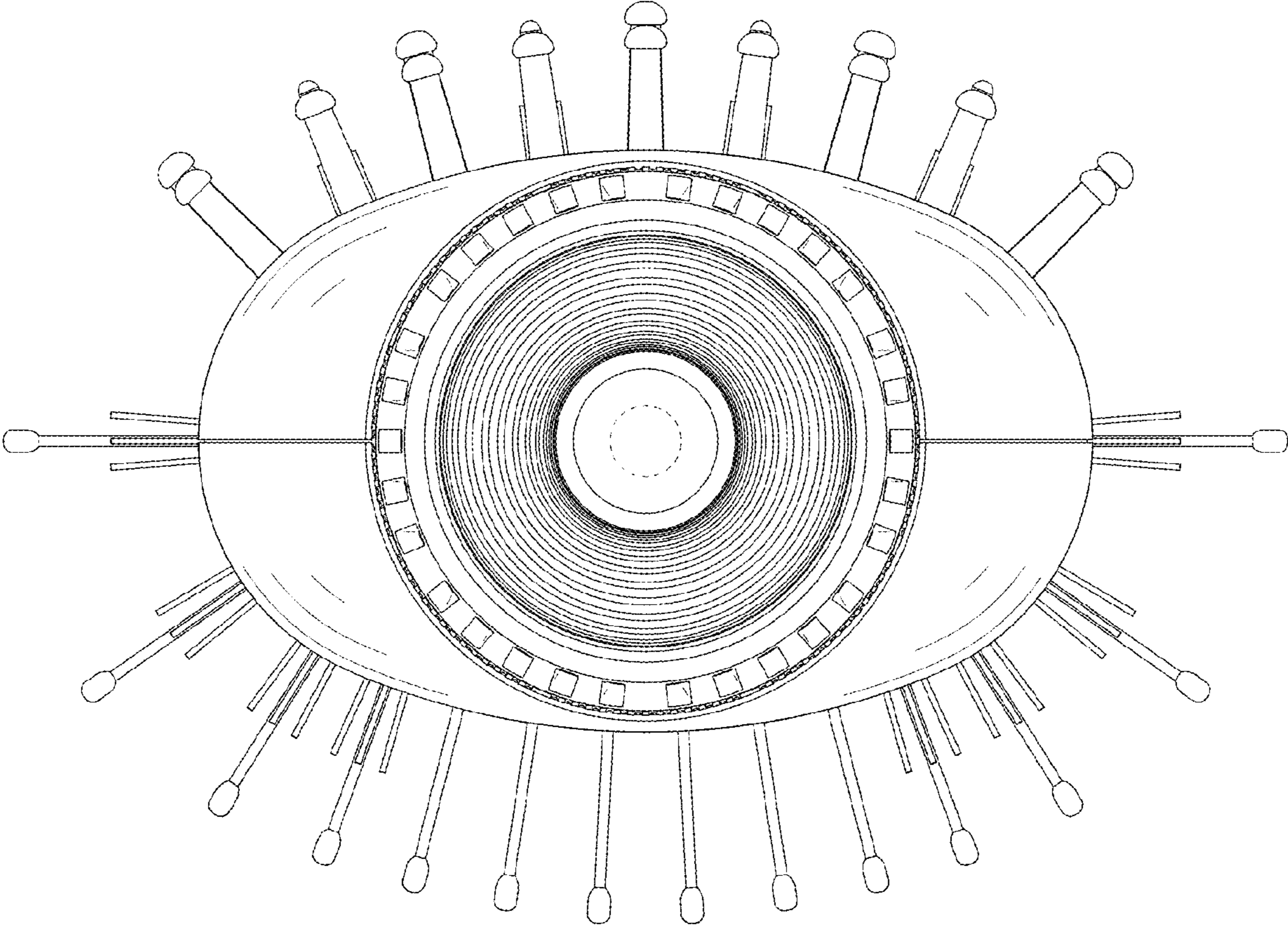


FIG. 11