



US00D968699S

(12) **United States Design Patent** (10) **Patent No.:** **US D968,699 S**
Chandra et al. (45) **Date of Patent:** **** Nov. 1, 2022**

(54) **HANDLE FOR A BEAUTY TOOL**
(71) Applicant: **Helen of Troy Limited**, St. Michael (BB)
(72) Inventors: **Aakriti Jojo Chandra**, Jersey City, NJ (US); **Yoon Jung Heo**, Fort Lee, NJ (US); **Mathieu Zastawny**, Jersey City, NJ (US); **William Fiebel**, Succasunna, NJ (US)

D832,511 S * 10/2018 Chandra D28/35
D833,070 S * 11/2018 Chandra D28/35
D912,320 S * 3/2021 Liang D28/35
D912,987 S * 3/2021 Chandra D4/134
D916,368 S * 4/2021 Koenemann D4/133
D921,290 S * 6/2021 Yang D28/35
D934,499 S * 10/2021 Xie D28/35
D942,681 S * 2/2022 Chandra D28/35
D943,203 S * 2/2022 Chandra D28/35

(Continued)

FOREIGN PATENT DOCUMENTS

(73) Assignee: **Helen of Troy Limited**, St. Michael (BB)

EM 000803232-0002 10/2007
EM 007143805-0001 10/2019

(**) Term: **15 Years**

Primary Examiner — Jennifer Rivard
Assistant Examiner — Alison M Ofstun

(21) Appl. No.: **29/740,295**

(74) *Attorney, Agent, or Firm* — Rankin, Hill & Clark LLP

(22) Filed: **Jul. 2, 2020**

(51) **LOC (13) Cl.** **28-03**

(57) **CLAIM**

(52) **U.S. Cl.**
USPC **D28/35**

The ornamental design for a handle for a beauty tool, as shown and described.

(58) **Field of Classification Search**
USPC D28/9–11, 35, 99; D8/107, 300
CPC ... A45D 1/00; A45D 1/04; A45D 1/06; A45D 1/10; A45D 1/14; A45D 2/00; A45D 2/02; A45D 2/12; A45D 6/00
See application file for complete search history.

DESCRIPTION

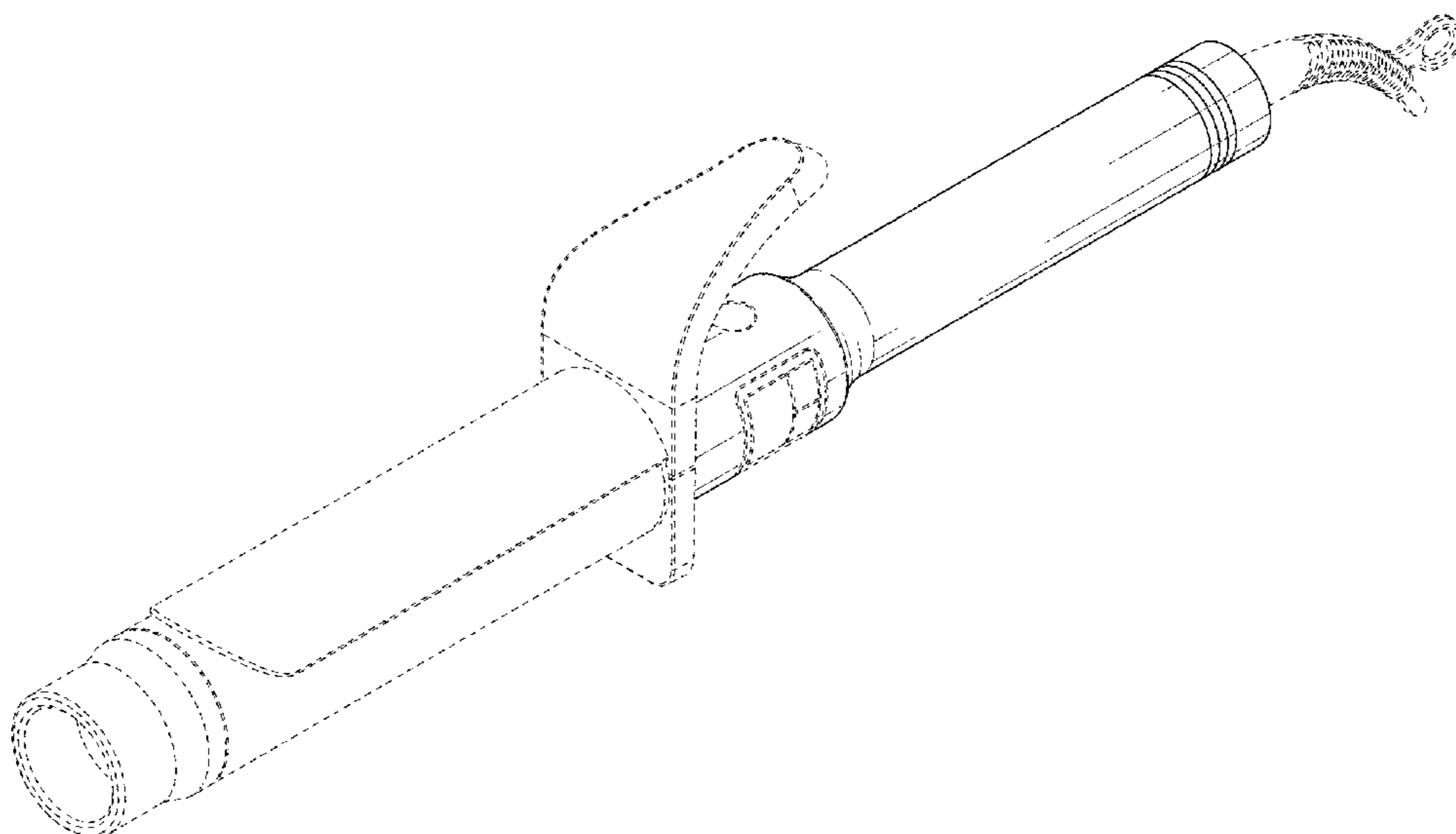
(56) **References Cited**

U.S. PATENT DOCUMENTS

3,937,230 A 2/1976 Kenny
D264,258 S * 5/1982 Zago D28/35
D279,033 S 5/1985 Stansbury, Jr.
D281,726 S 12/1985 Tsuji
D288,250 S * 2/1987 Adams D28/35
D313,484 S 1/1991 Wahl et al.
D313,870 S 1/1991 Mastromonaco
D411,334 S * 6/1999 Rizzuto D28/35
D462,481 S 9/2002 Rizzuto, Jr.
D578,707 S 10/2008 Leung
D770,094 S 10/2016 Kanaya

FIG. 1 is a top, right side perspective view of a new, original and ornamental design for a handle for a beauty tool; FIG. 2 is a front elevation of FIG. 1; FIG. 3 is a rear elevation view of FIG. 1; FIG. 4 is a left side elevation view of FIG. 1; FIG. 5 is a right side elevation view of FIG. 1; FIG. 6 is a top plan view of FIG. 1; FIG. 7 is a bottom plan view of FIG. 1; and, FIG. 8 is a top, left side perspective view of FIG. 1. The broken lines in the drawings depict portions of the handle for a beauty tool that form no part of the claimed design. The broken lines in the drawings further depict a beauty tool and power cord connected to the handle as environmental subject matter that form no part of the claimed design.

1 Claim, 5 Drawing Sheets



(56)

References Cited

U.S. PATENT DOCUMENTS

D943,204 S *	2/2022	Chandra	D28/35
D943,281 S *	2/2022	Zou	D28/35
D948,118 S *	4/2022	Zhou	D28/35
D951,047 S *	5/2022	Hsieh	D8/107
D952,942 S *	5/2022	de Belizal	D28/35
2011/0180096 A1 *	7/2011	Palermo	A45D 1/04 132/263

* cited by examiner

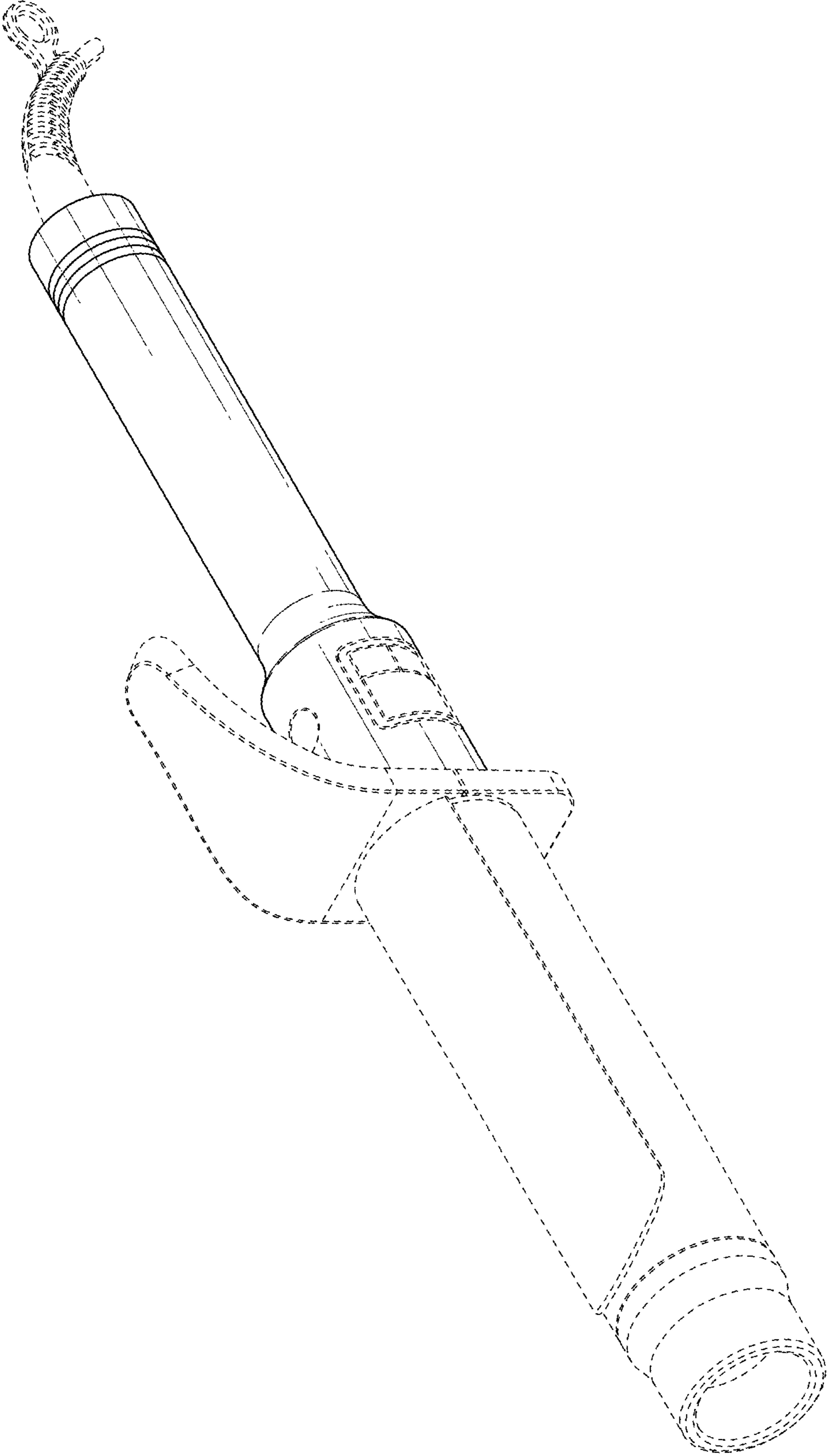


FIG. 1

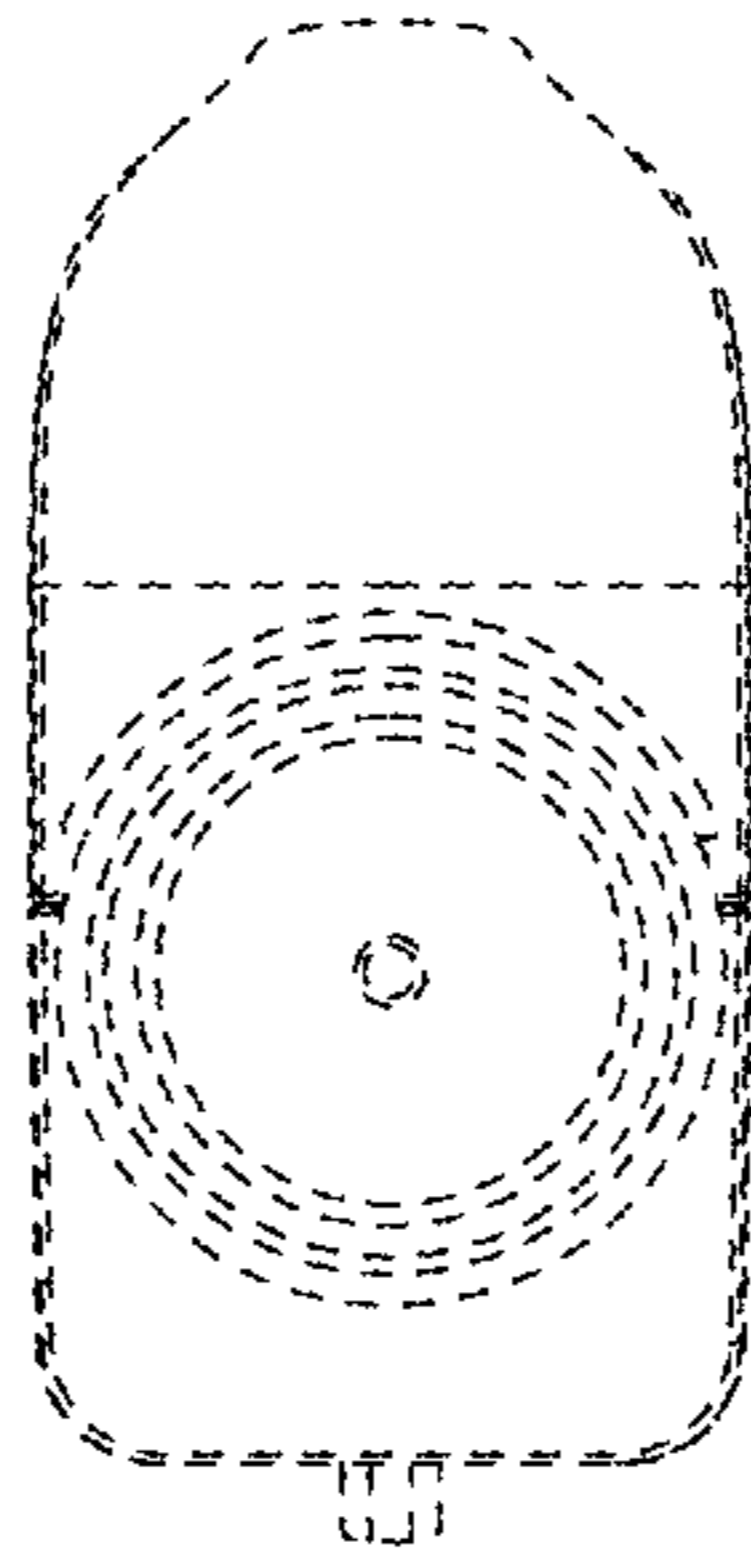


FIG. 2

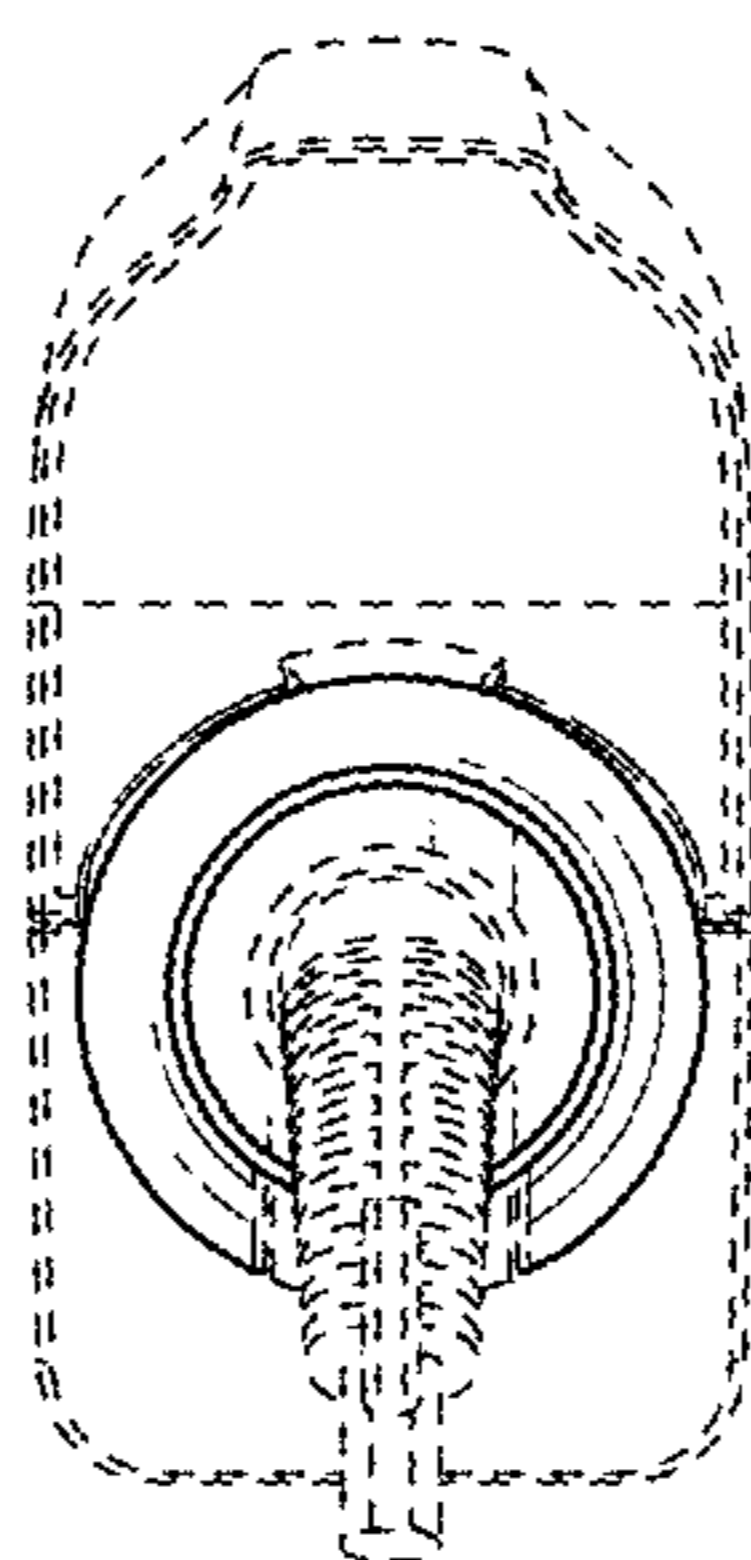


FIG. 3

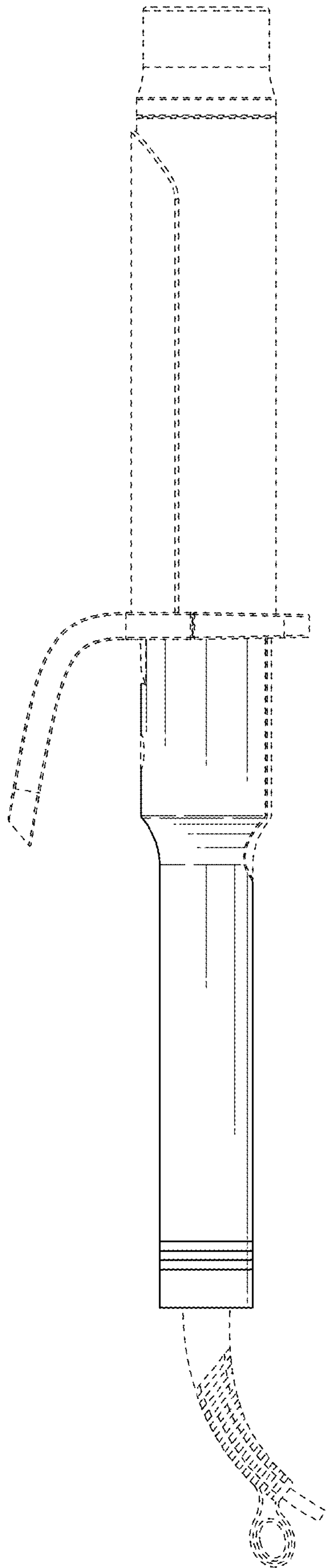


FIG. 4

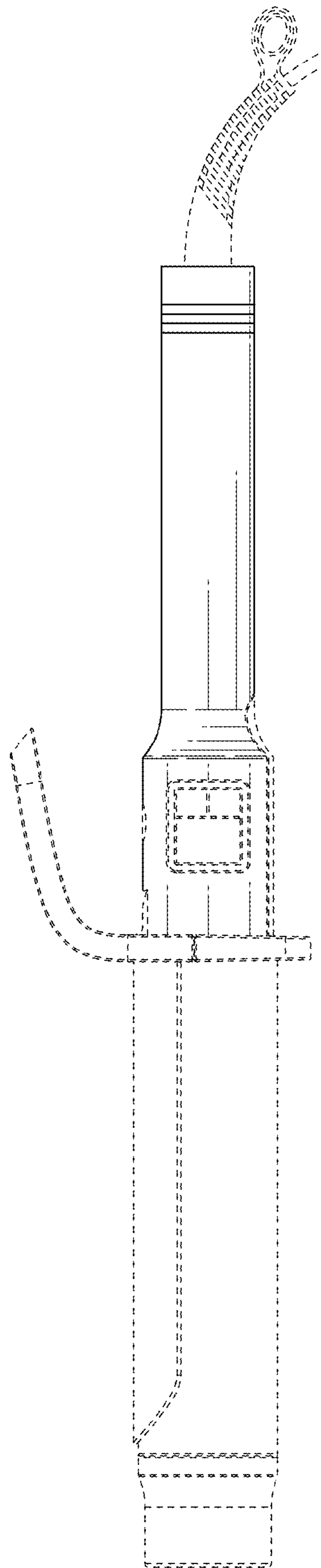


FIG. 5

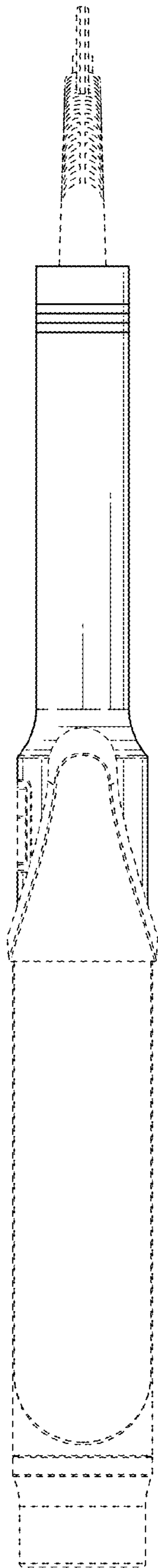


FIG. 6

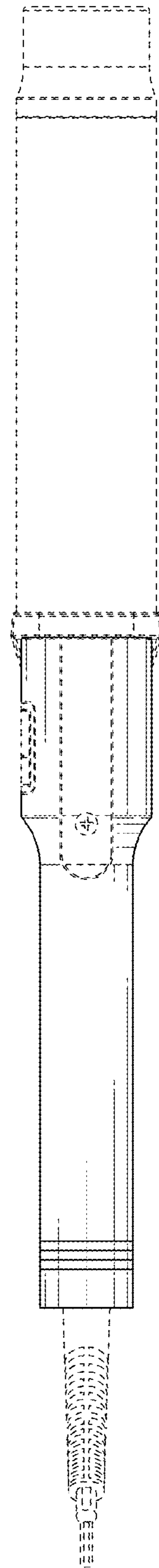


FIG. 7

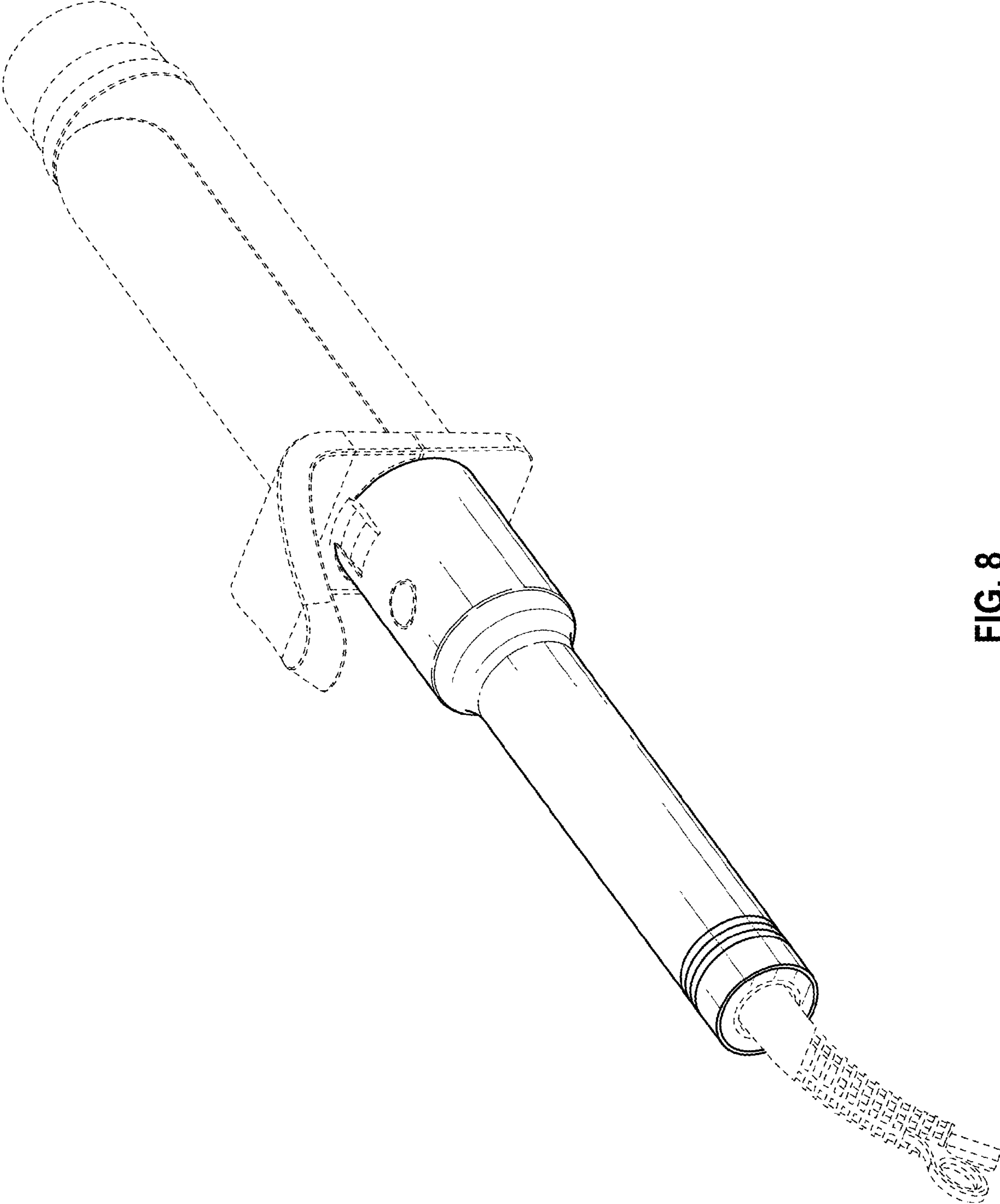


FIG. 8