



US00D968698S

(12) **United States Design Patent**
Zhang

(10) **Patent No.:** **US D968,698 S**

(45) **Date of Patent:** **** Nov. 1, 2022**

(54) **COMB**

(71) Applicant: **Lu Zhang**, Shenzhen (CN)

(72) Inventor: **Lu Zhang**, Shenzhen (CN)

(**) Term: **15 Years**

(21) Appl. No.: **29/772,437**

(22) Filed: **Mar. 2, 2021**

(30) **Foreign Application Priority Data**

Feb. 2, 2021 (CN) 202130073637.4

(51) **LOC (13) Cl.** **28-03**

(52) **U.S. Cl.**
USPC **D28/30; D30/159**

(58) **Field of Classification Search**
USPC D28/7, 20-34; D30/158, 159
CPC A45D 24/00; A45D 24/005; A45D 24/02;
A45D 24/04; A45D 24/06; A45D 24/14;
A45D 24/22

See application file for complete search history.

(56) **References Cited**

U.S. PATENT DOCUMENTS

5,655,482 A * 8/1997 Lundquist A01K 13/002
119/625
D779,135 S * 2/2017 Chang D30/158

D843,668 S * 3/2019 Cafasso D30/158
D844,261 S * 3/2019 Agtual A46B 9/028
D30/158
D899,713 S * 10/2020 Lu D30/158
D932,713 S * 10/2021 Tang D30/158
D932,715 S * 10/2021 Favia D30/159
D951,563 S * 5/2022 Gong D30/159

* cited by examiner

Primary Examiner — Zenia I Bennett

(57) **CLAIM**

The ornamental design for a comb, as shown and described.

DESCRIPTION

FIG. 1 is a first perspective view of a comb showing my new design;

FIG. 2 is a second perspective view thereof;

FIG. 3 is a front view thereof;

FIG. 4 is a back view thereof;

FIG. 5 is a left side view thereof;

FIG. 6 is a right side view thereof;

FIG. 7 is a top view thereof;

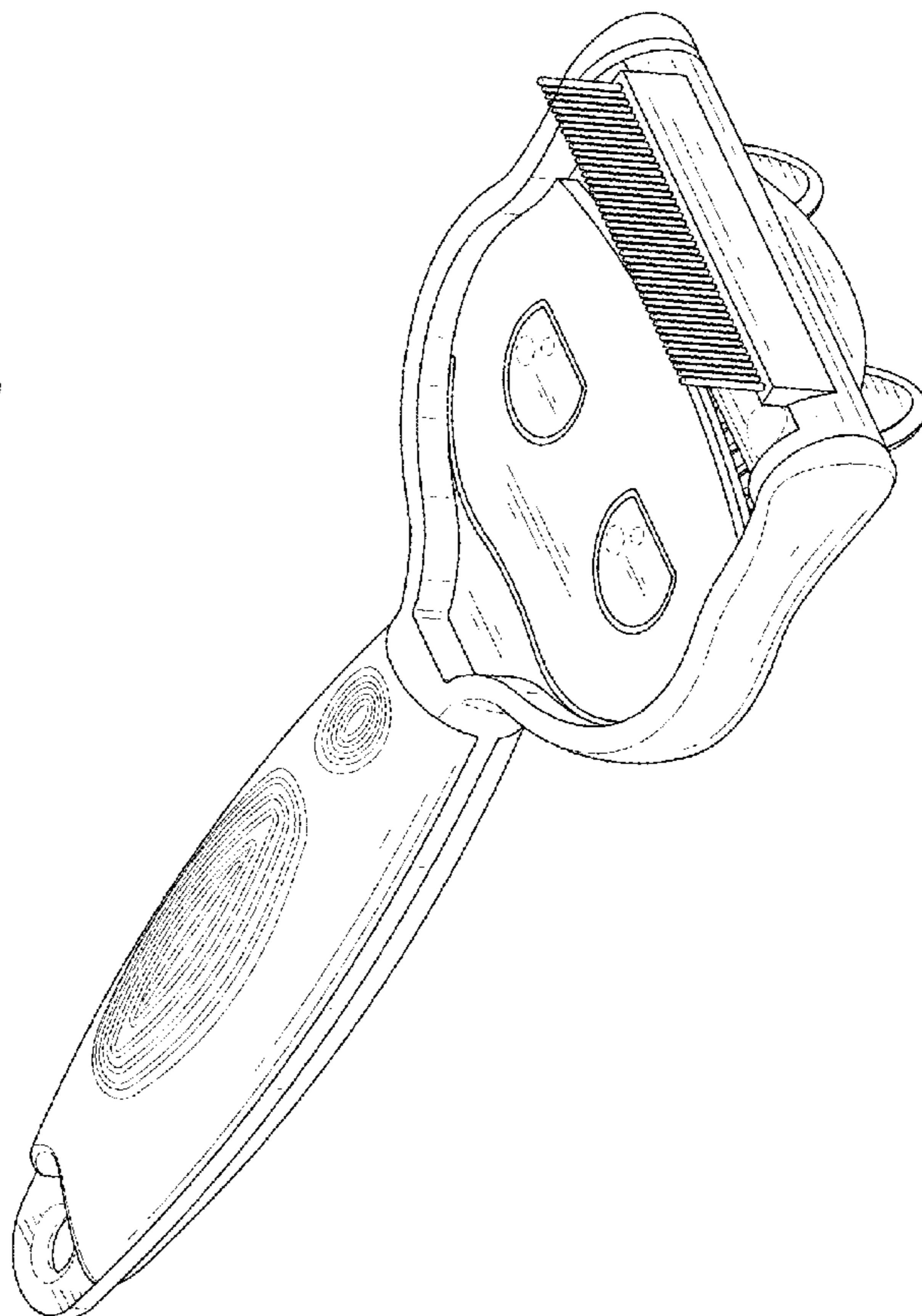
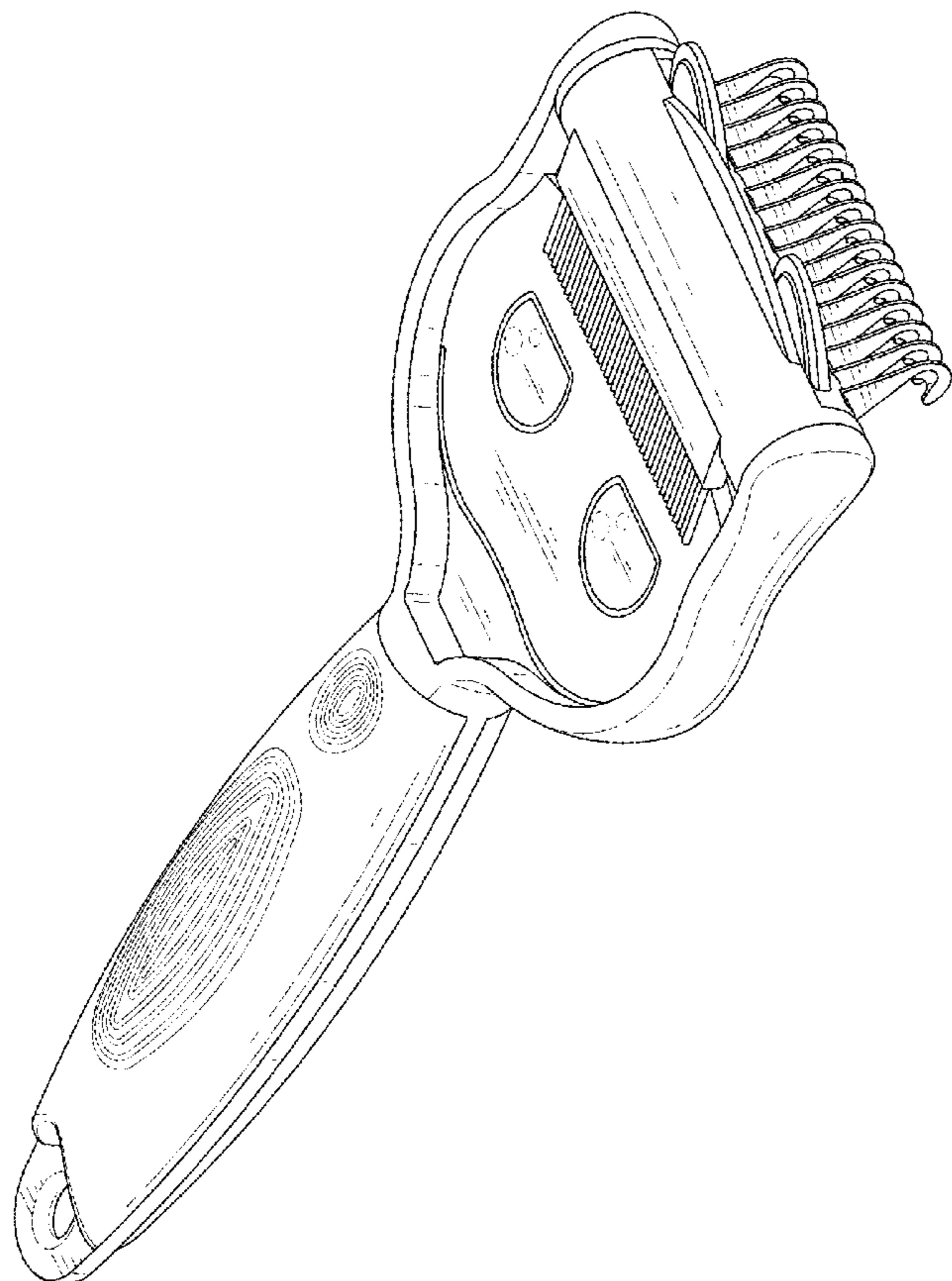
FIG. 8 is a bottom view thereof;

FIG. 9 is a perspective view of another state of the comb thereof; and,

FIG. 10 is a perspective view of another state of the comb thereof.

The broken lines shown in the drawings depict portions of the comb in which the design is embodied that form no part of the claimed design.

1 Claim, 10 Drawing Sheets



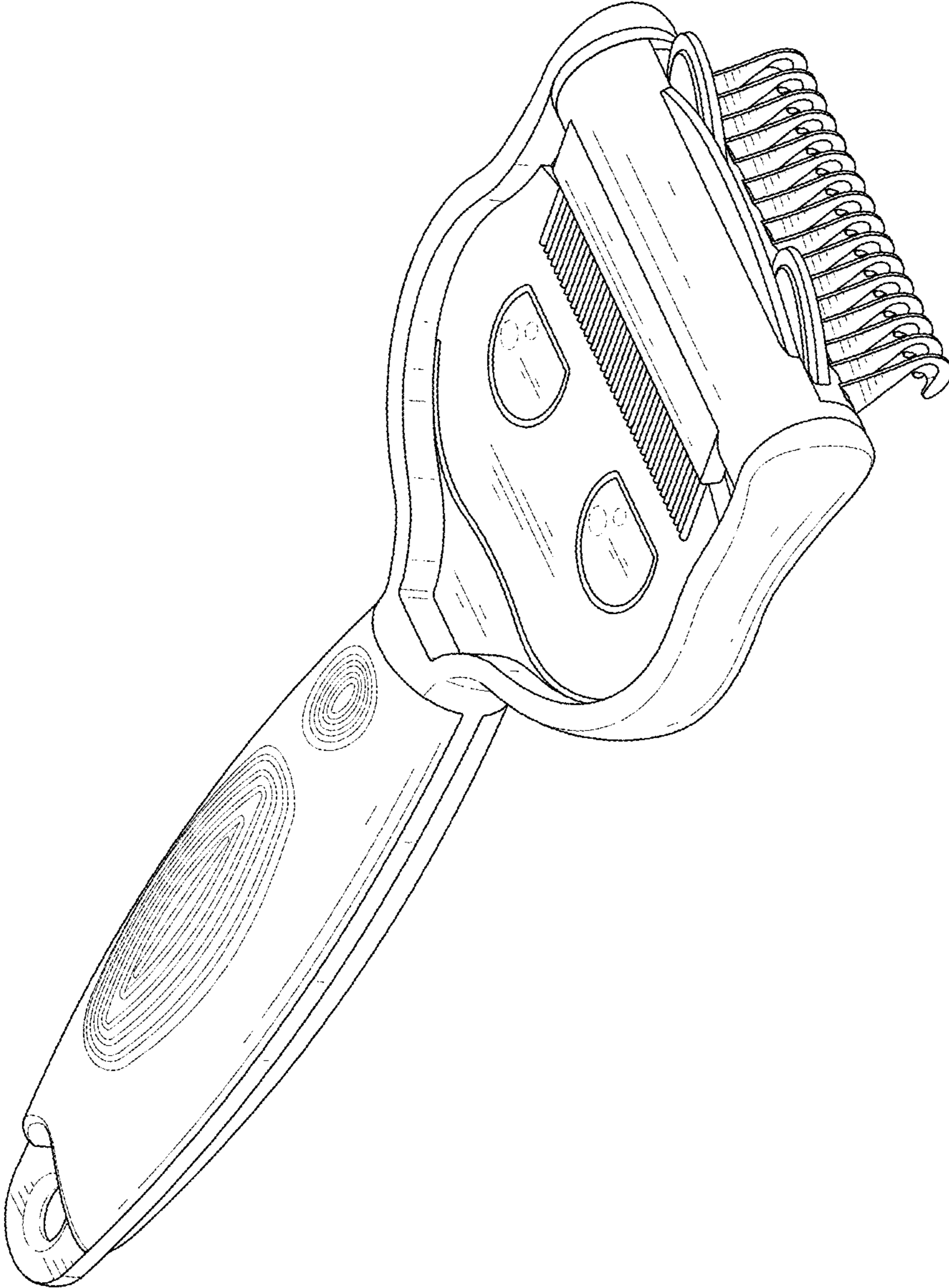


FIG. 1

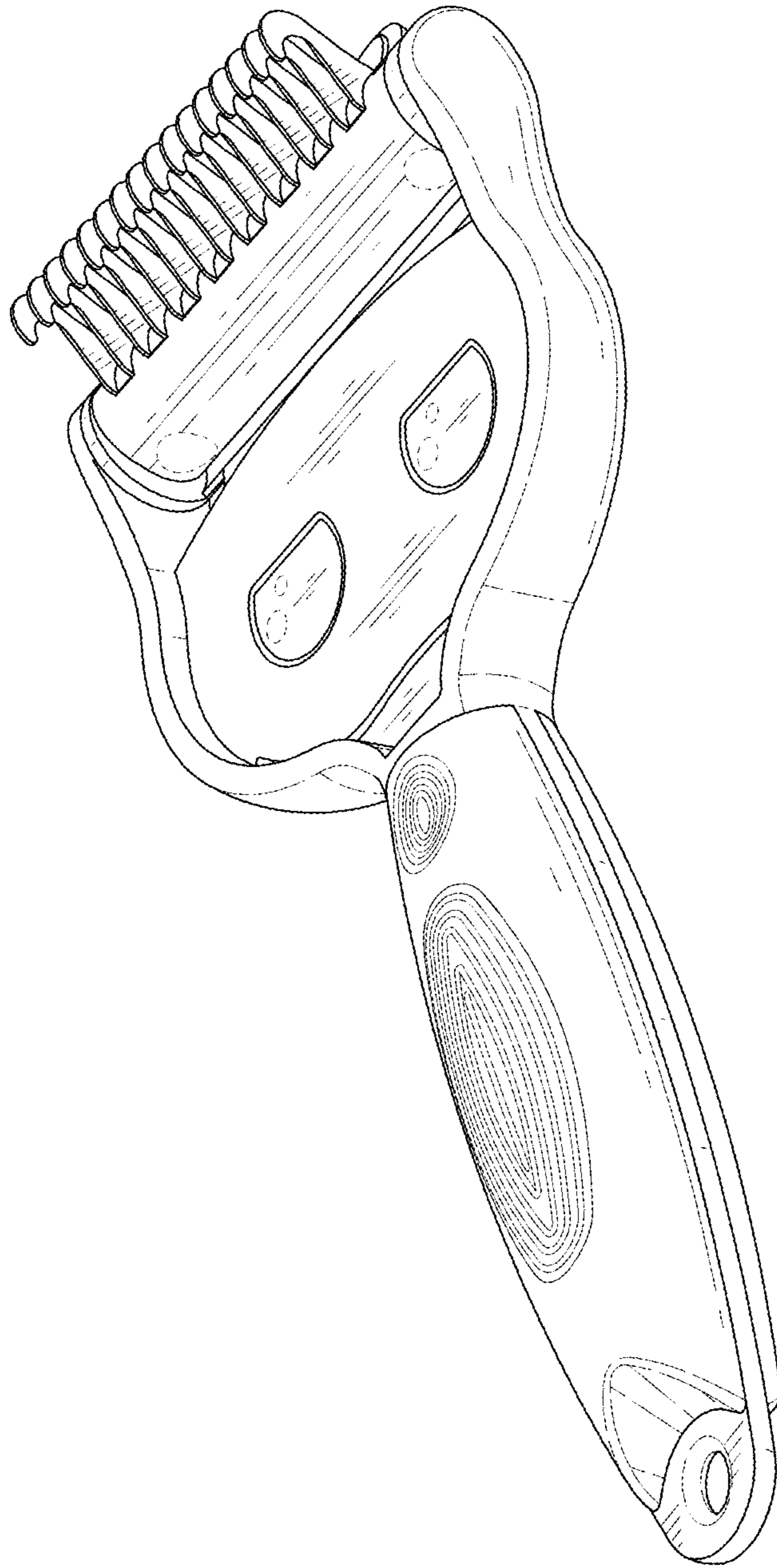


FIG. 2

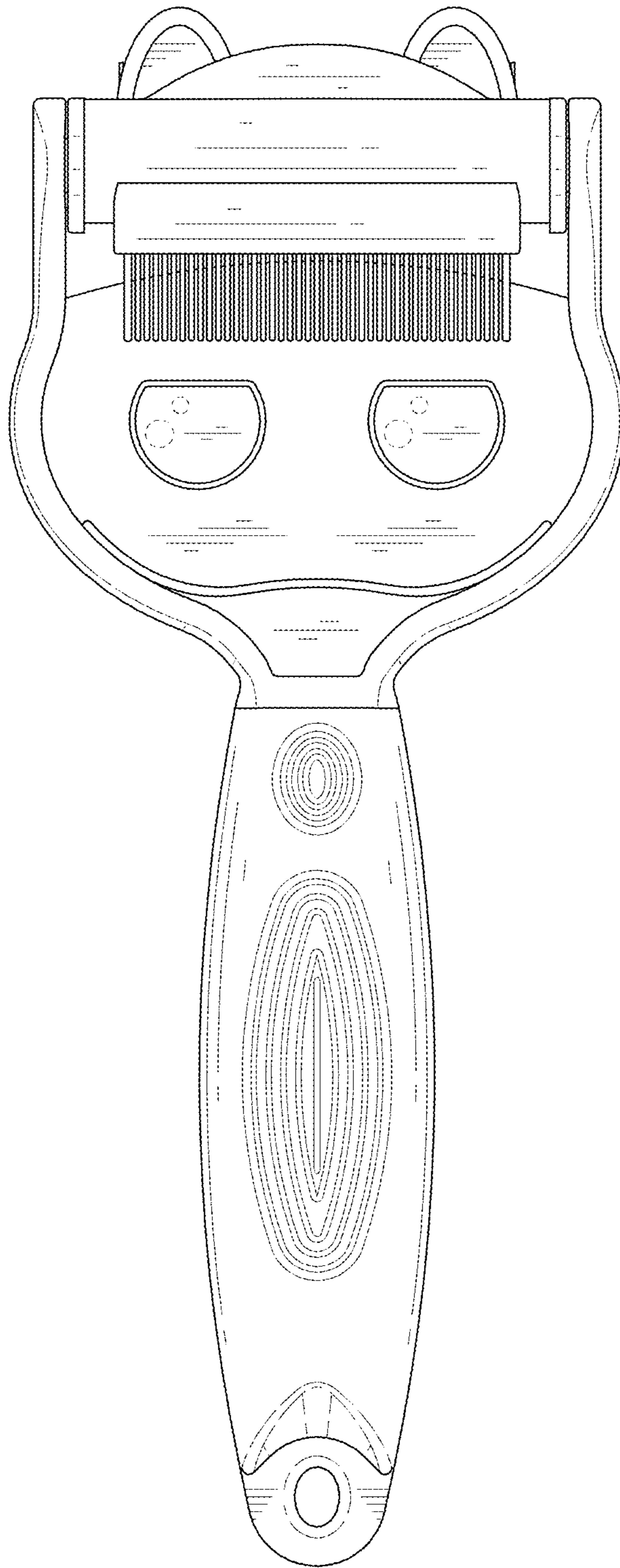


FIG. 3

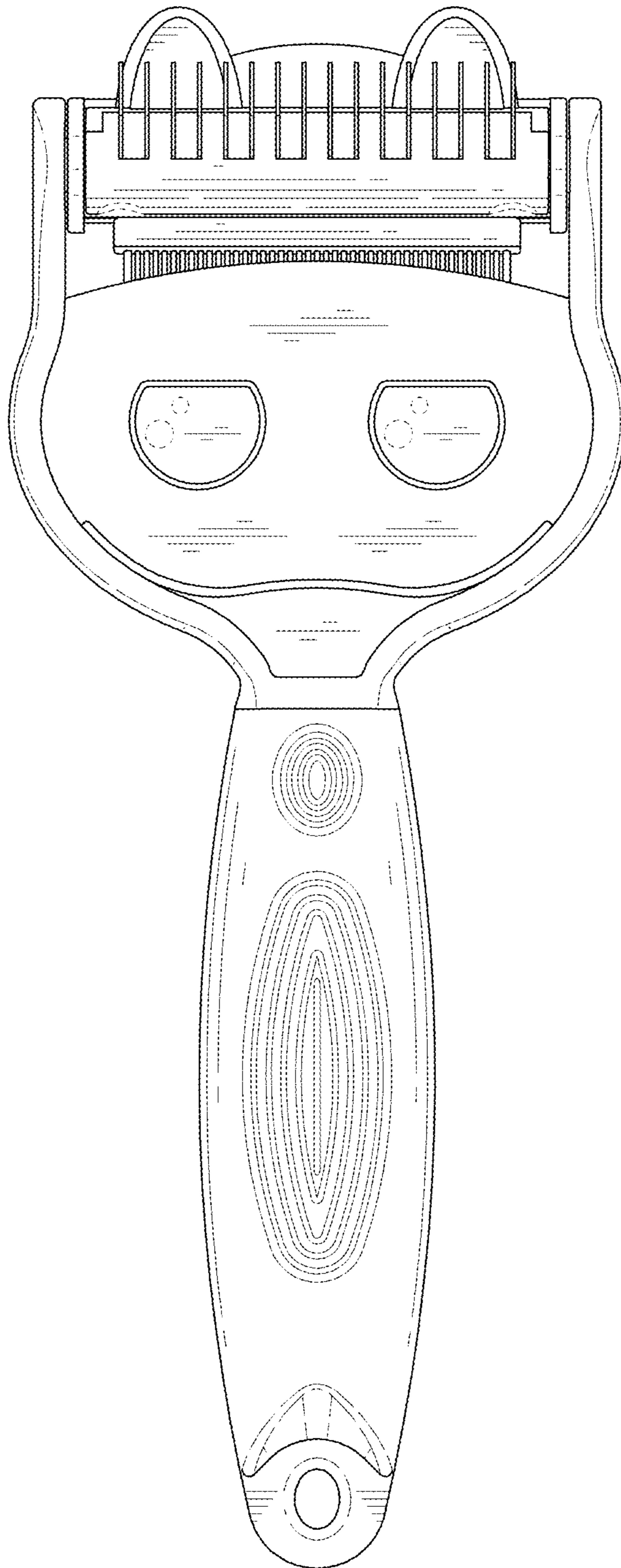


FIG. 4

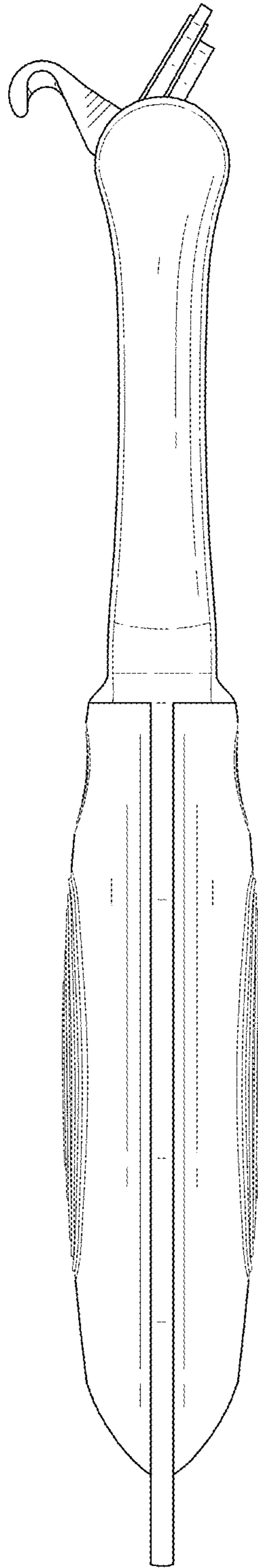


FIG. 5

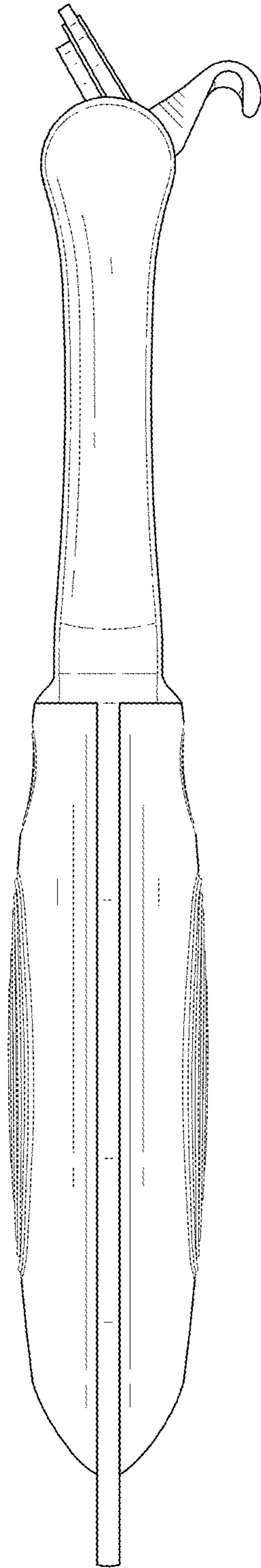


FIG. 6

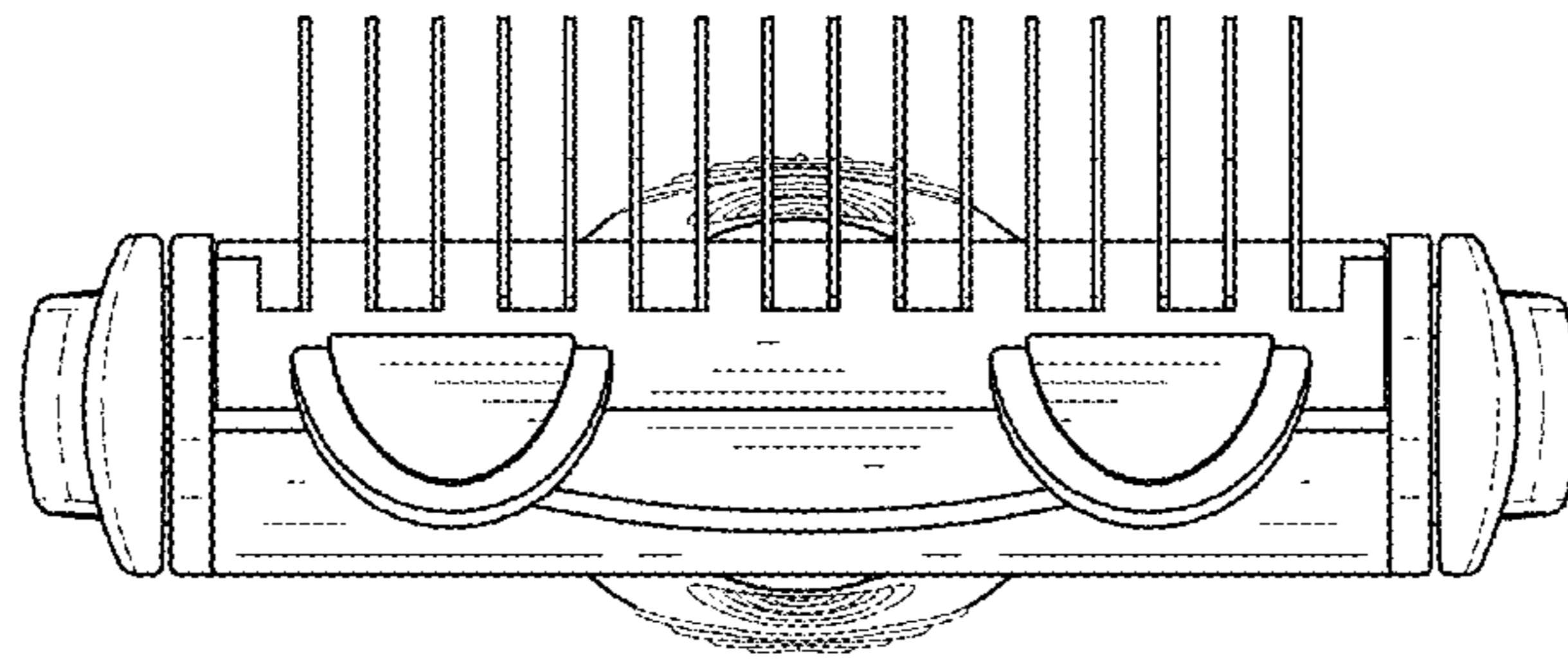


FIG. 7

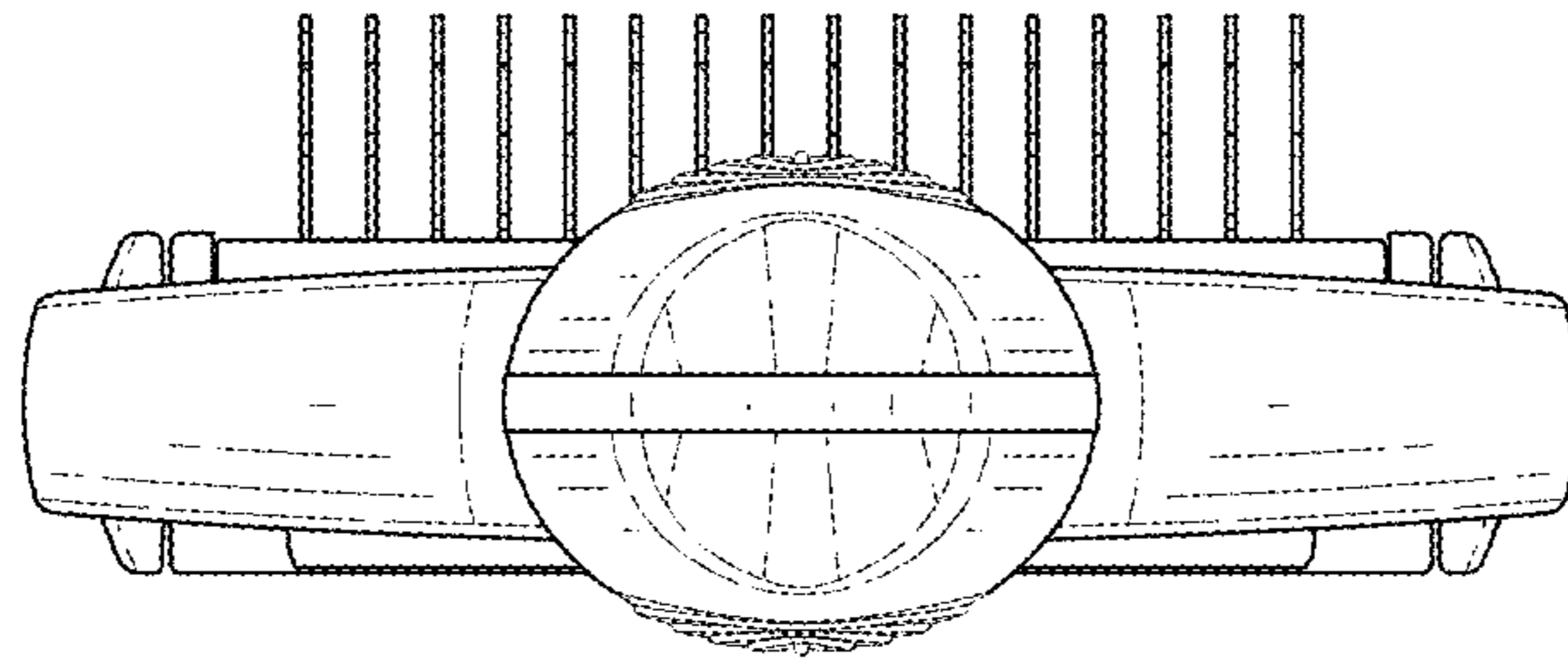


FIG. 8

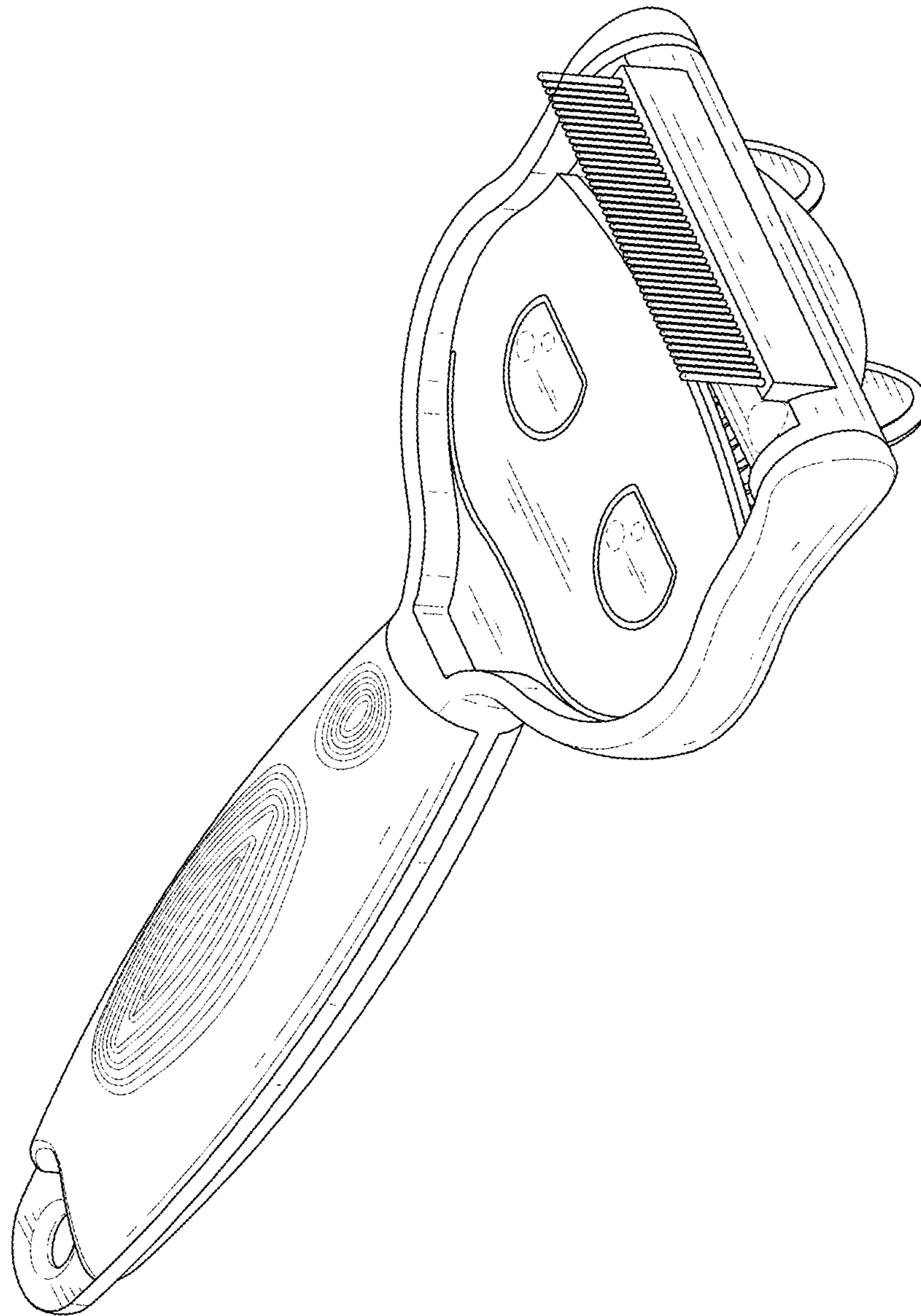


FIG. 9

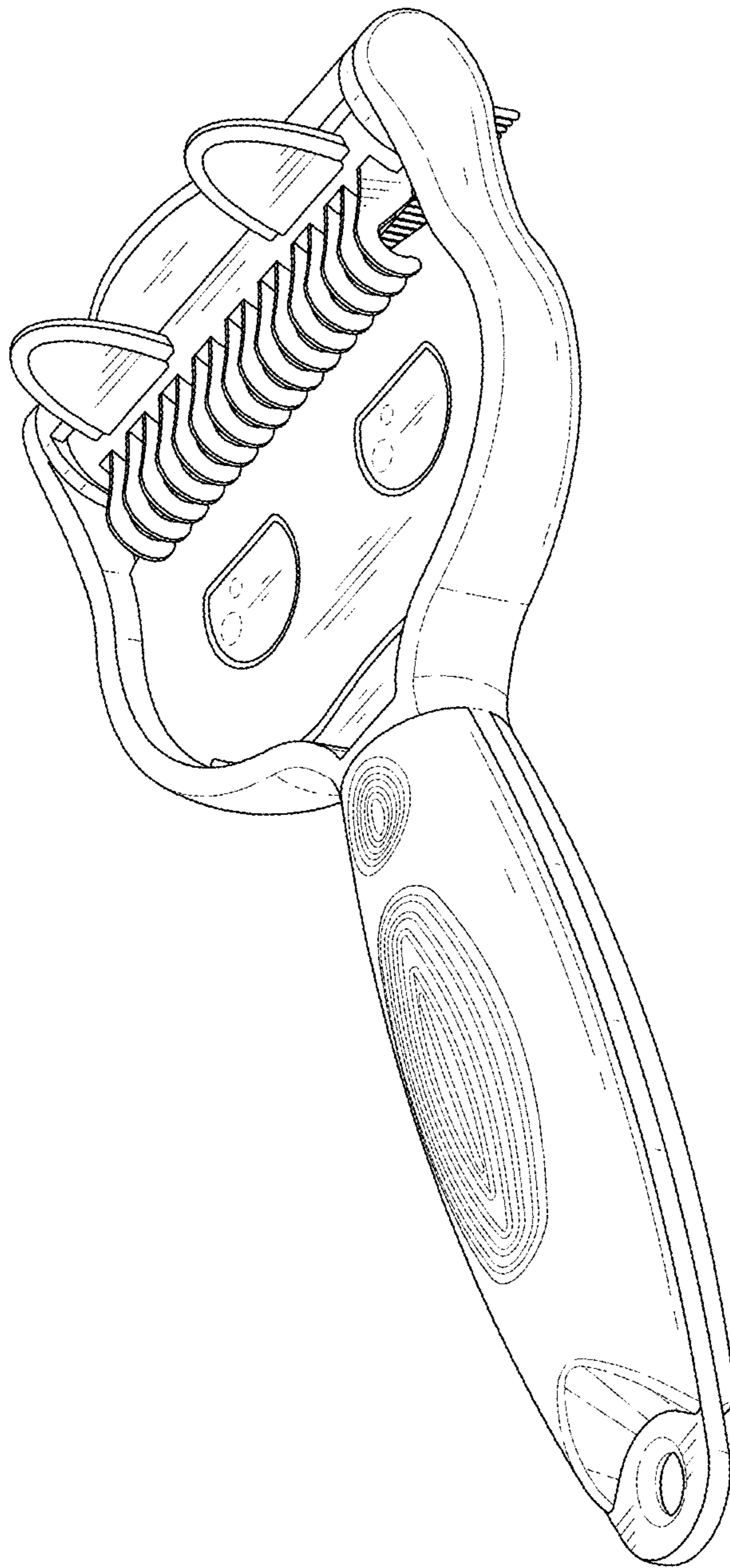


FIG. 10