



US00D968695S

(12) **United States Design Patent** (10) **Patent No.:** **US D968,695 S**
Cruice et al. (45) **Date of Patent:** **** Nov. 1, 2022**

(54) **CRADLE FOR HOLDING A VAPING DEVICE**

(71) Applicant: **Nicoventures Trading Limited**,
London (GB)

(72) Inventors: **Anthony Cruice**, London (GB);
Ainsley Cox, London (GB)

(73) Assignee: **Nicoventures Trading Limited**,
London (GB)

(**) Term: **15 Years**

(21) Appl. No.: **29/718,076**

(22) Filed: **Dec. 20, 2019**

(30) **Foreign Application Priority Data**

Jun. 21, 2019 (EM) 006589719
Aug. 8, 2019 (EM) 006692109

(51) **LOC (13) Cl.** **27-06**

(52) **U.S. Cl.**
USPC **D27/183; D27/186; D27/172**

(58) **Field of Classification Search**
USPC D27/130, 138, 143–146, 167, 172,
D27/180–181, 183, 194; D12/415
CPC A24F 9/14; A24F 9/16; A24F 15/00; A24F
13/02; A24F 13/08; A24F 13/12; A24F
47/00; A24F 40/95; A24F 13/14; A45C
2011/002
See application file for complete search history.

(56) **References Cited**

U.S. PATENT DOCUMENTS

D130,031 S * 10/1941 Murray et al. 206/259
D135,625 S * 5/1943 Kanter D27/186
D148,711 S * 2/1948 Leiserowitz D27/186
D153,465 S * 4/1949 Snellgrove D27/170
D155,536 S * 10/1949 Pickering 131/259
D195,731 S * 7/1963 Steppan D27/144

D209,967 S * 1/1968 Clearman 379/455
D251,908 S * 5/1979 Fujita D8/373
D270,008 S * 8/1983 Johnson D27/181
D303,159 S * 8/1989 Heath D8/395
4,898,532 A * 2/1990 Bercik A45F 5/02
206/86

(Continued)

FOREIGN PATENT DOCUMENTS

EM 001761719-0002 9/2010
KR 30-1033407 11/2019

OTHER PUBLICATIONS

Vuse: Smart Kit for a Smarter Vape, on Milled.com, Jun. 18, 2020.
<<https://milled.com/go-vype-3/smart-kit-for-a-smarter-vape-xDZAWF4Omp32v1DU>> (Year: 2020).*

(Continued)

Primary Examiner — Janice Hallmark
(74) *Attorney, Agent, or Firm* — Patterson Thuent
Pedersen, P.A.

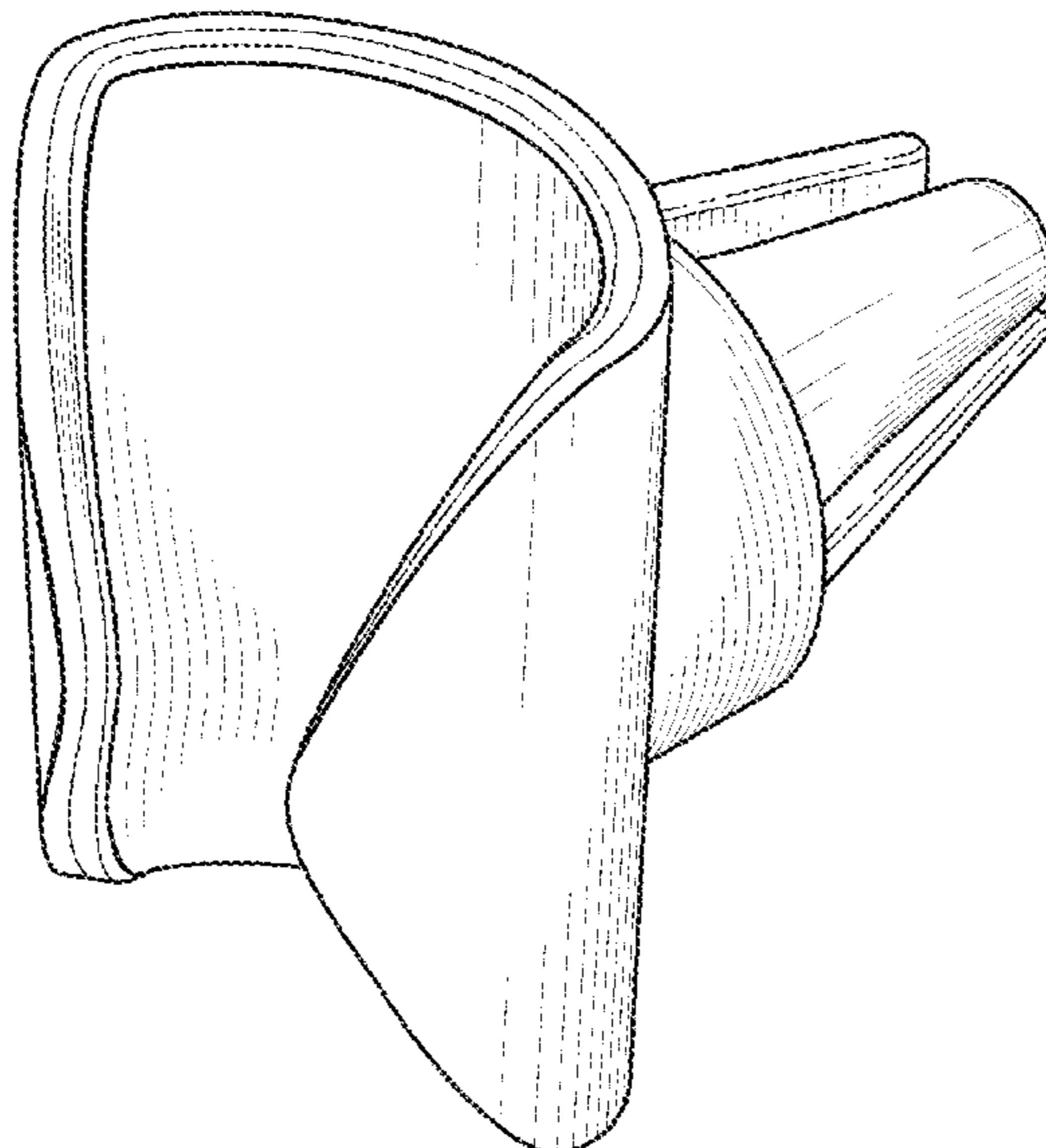
(57) **CLAIM**

The ornamental design for a cradle for holding a vaping device, as shown and described.

DESCRIPTION

FIG. 1 is a top perspective view of a cradle for holding a vaping device;
FIG. 2 is a front elevation view thereof;
FIG. 3 is a rear elevation view thereof;
FIG. 4 is a left side elevation view thereof;
FIG. 5 is a right side elevation view thereof;
FIG. 6 is a top plan view thereof; and,
FIG. 7 is a bottom plan view thereof.
The broken lines in the drawings illustrate portions of the cradle for holding a vaping device that form no part of the claimed design.

1 Claim, 7 Drawing Sheets



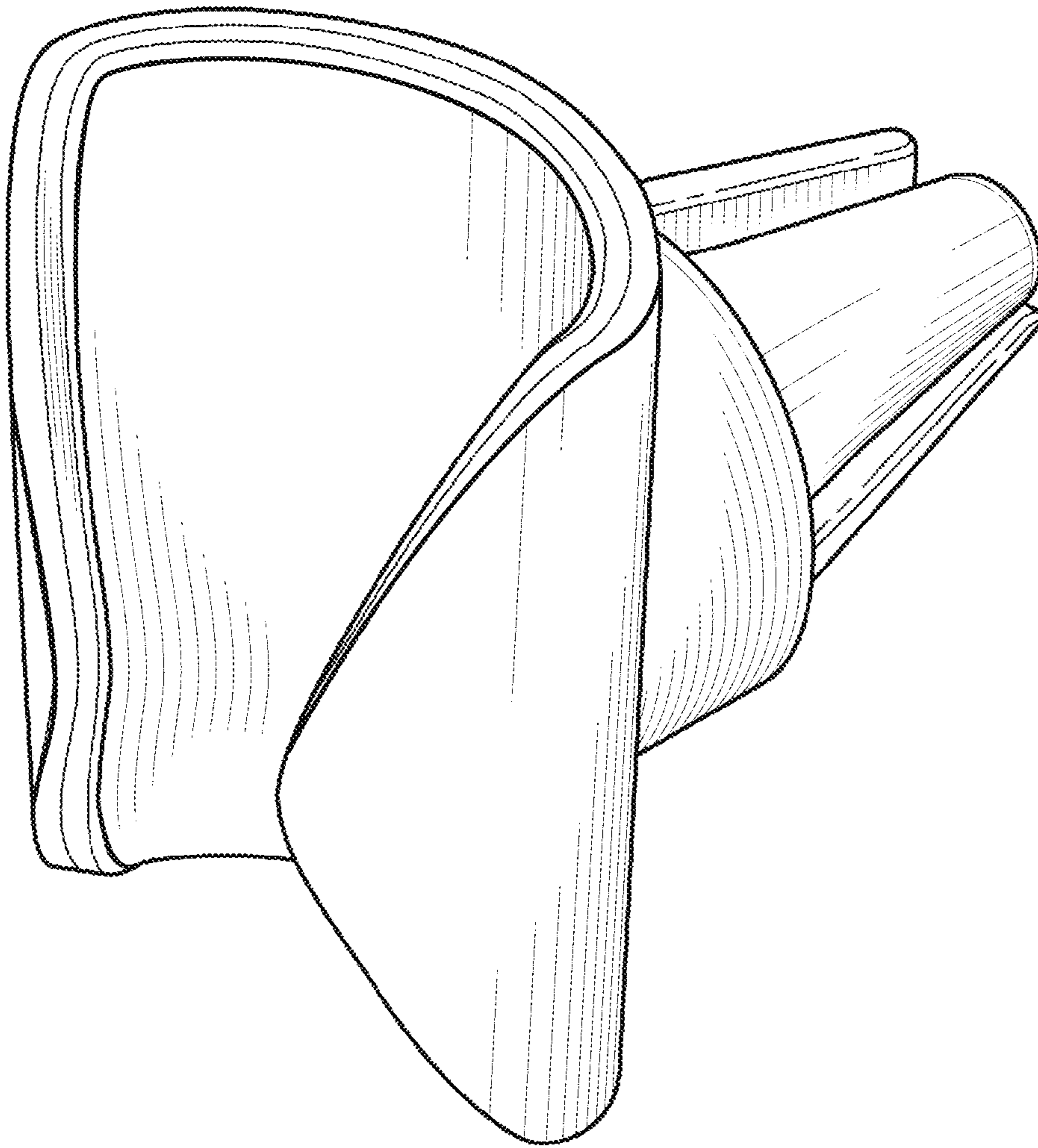


FIG . 1

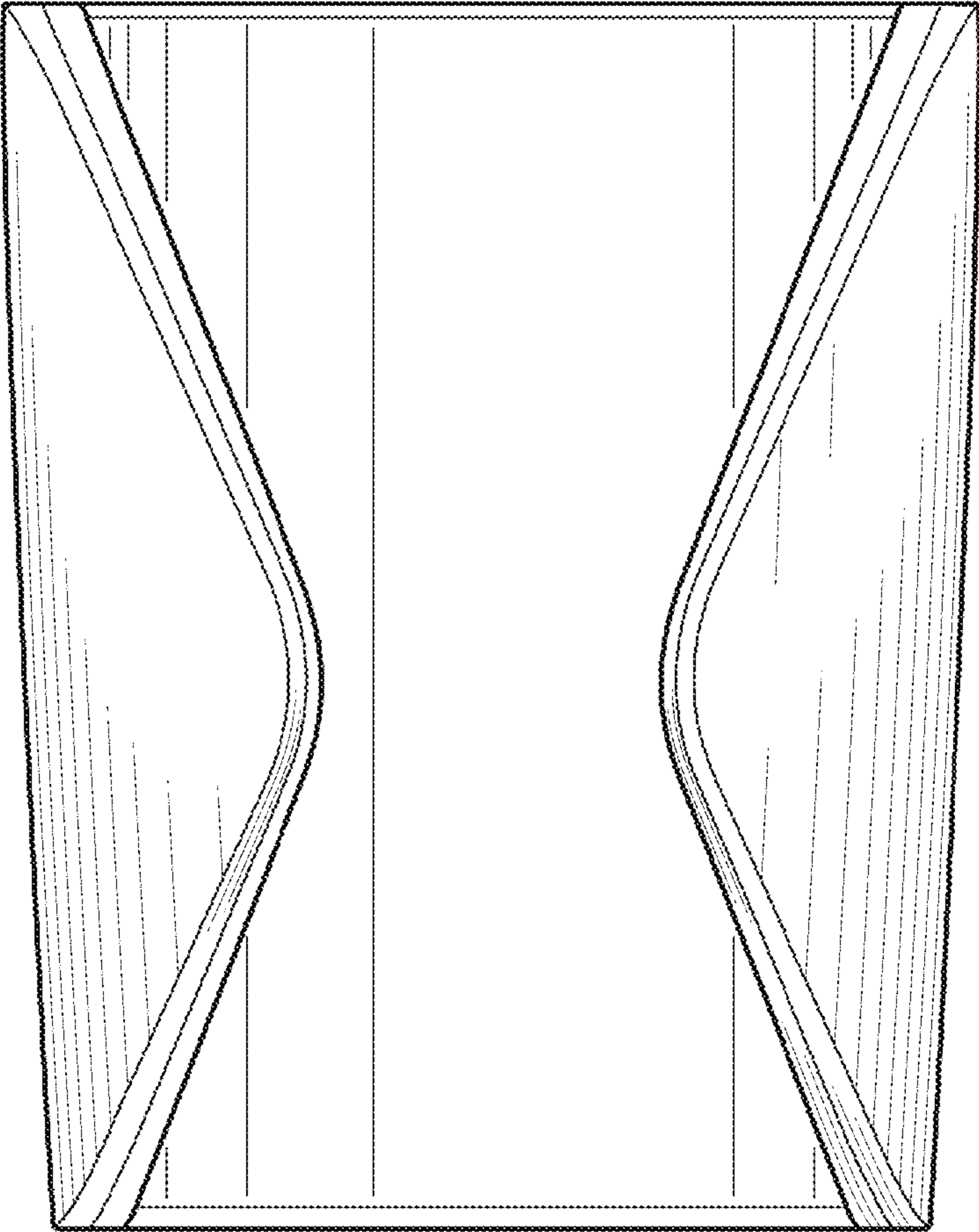


FIG . 2

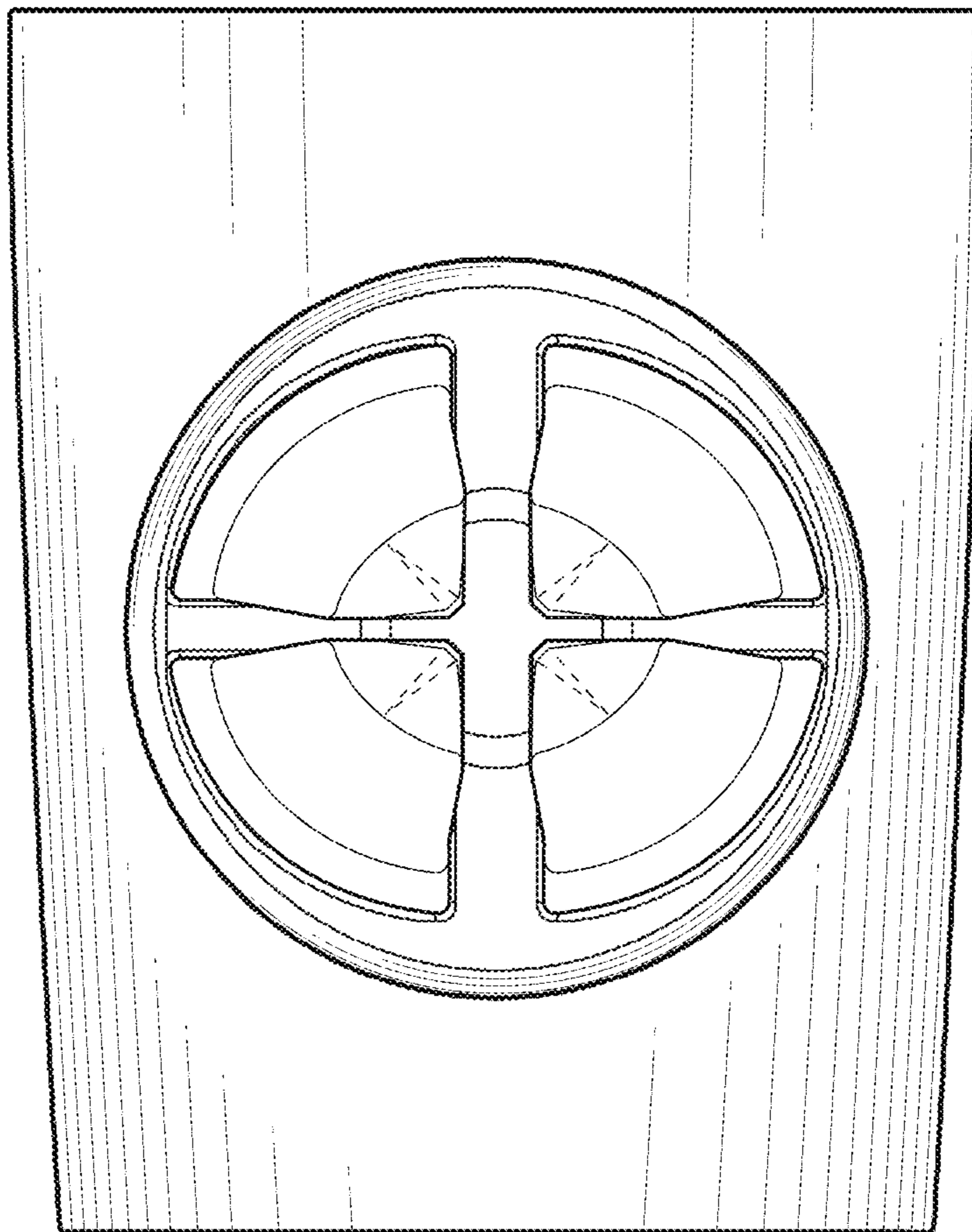


FIG . 3

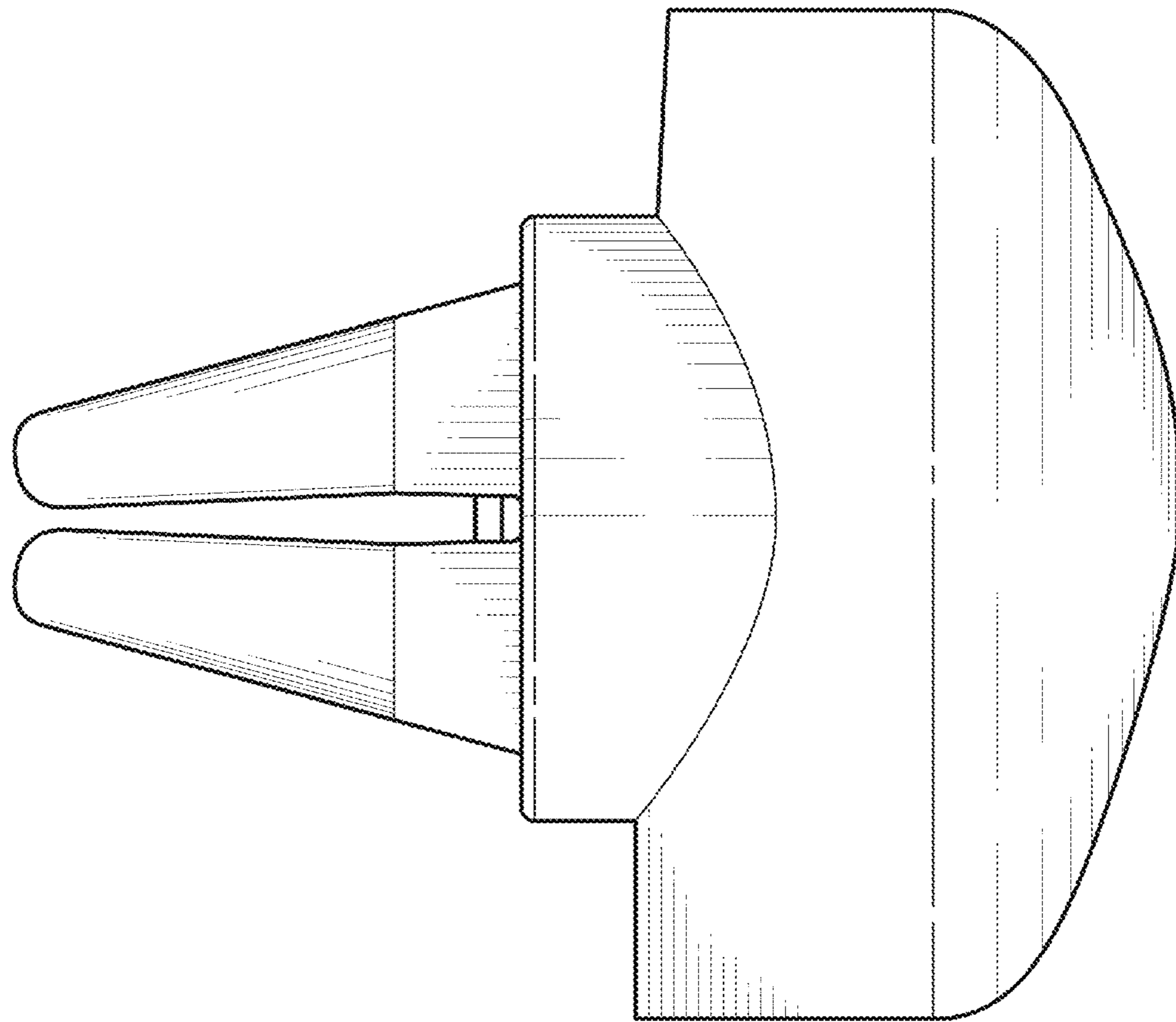


FIG . 4

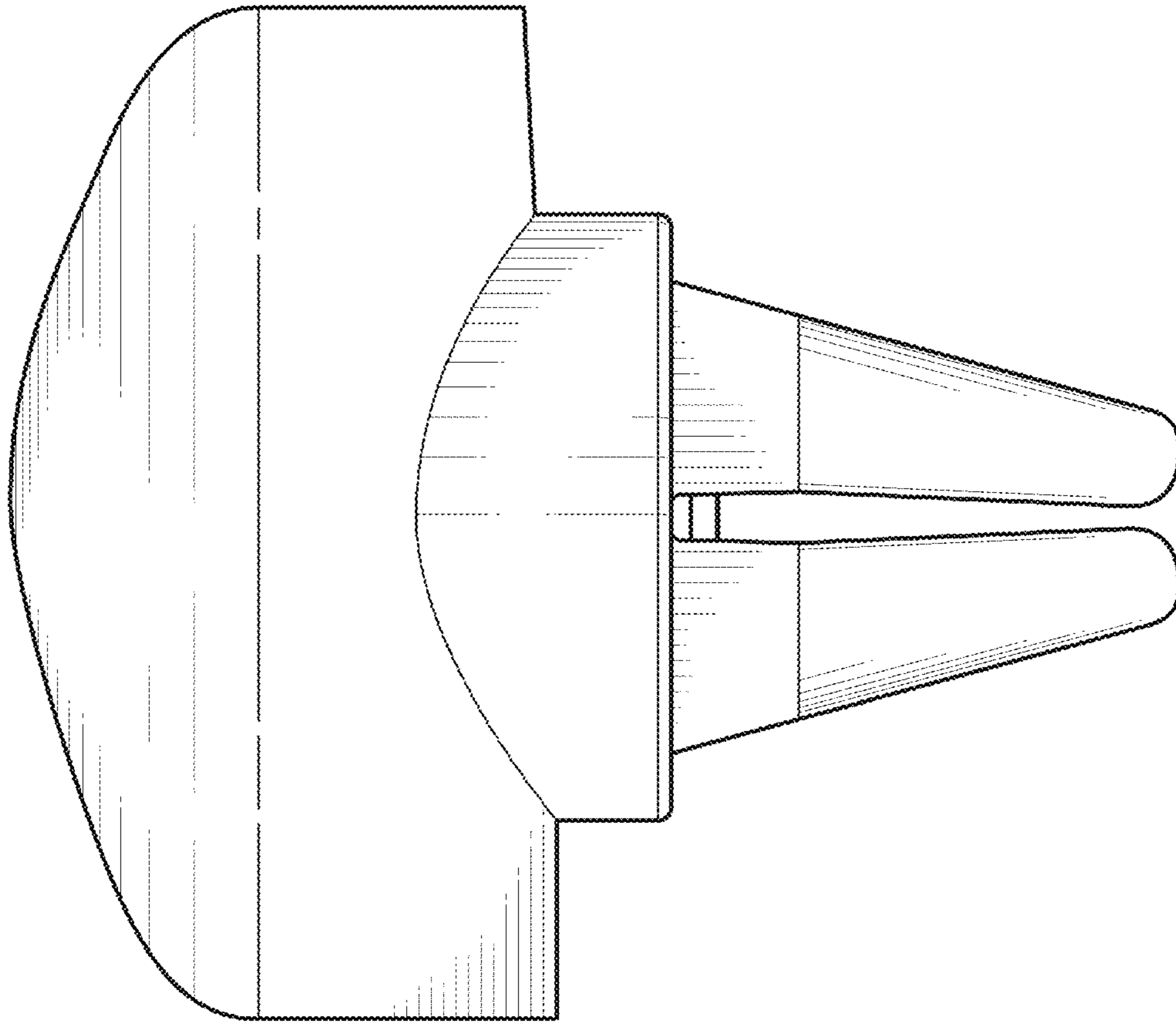


FIG . 5

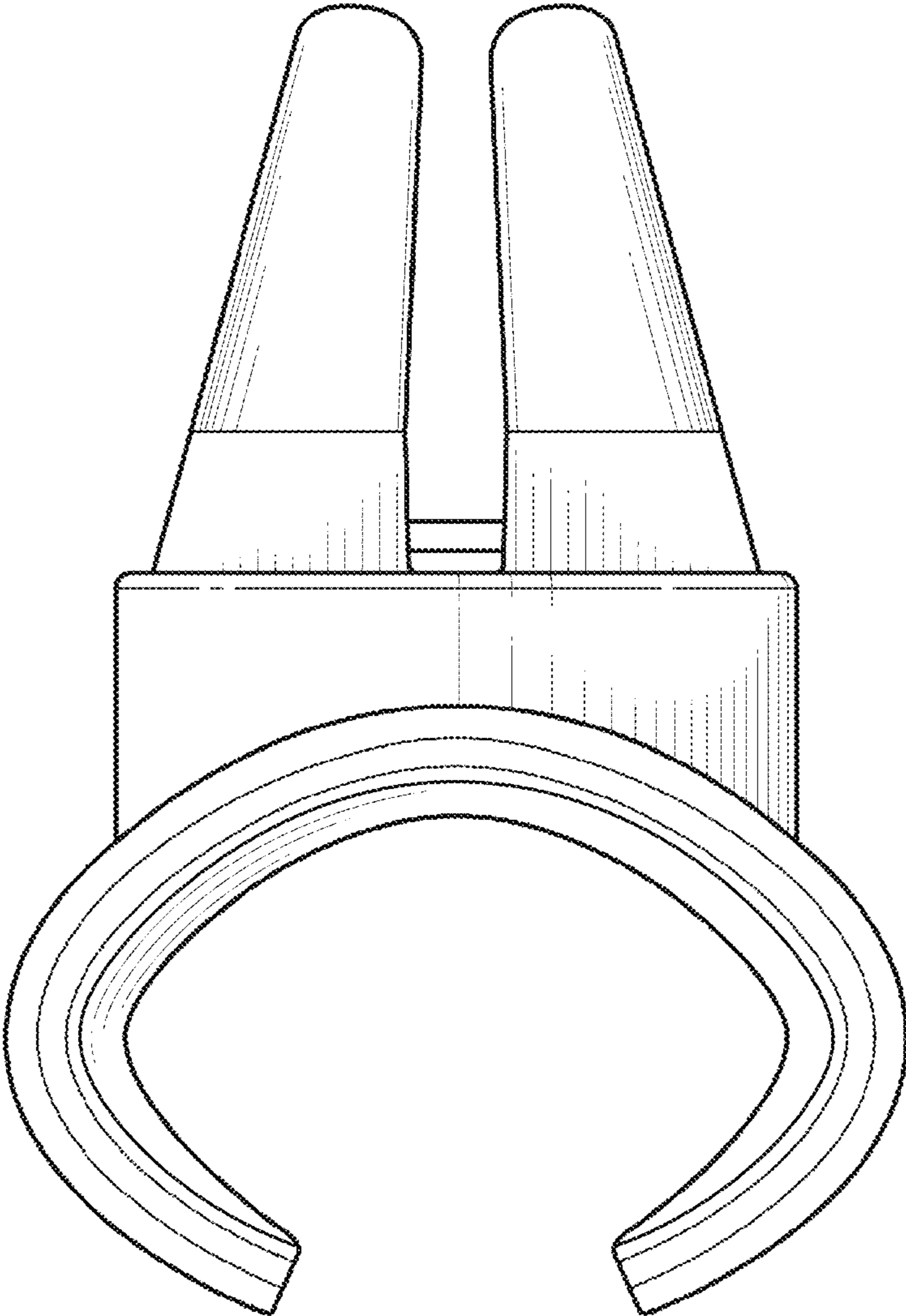


FIG . 6

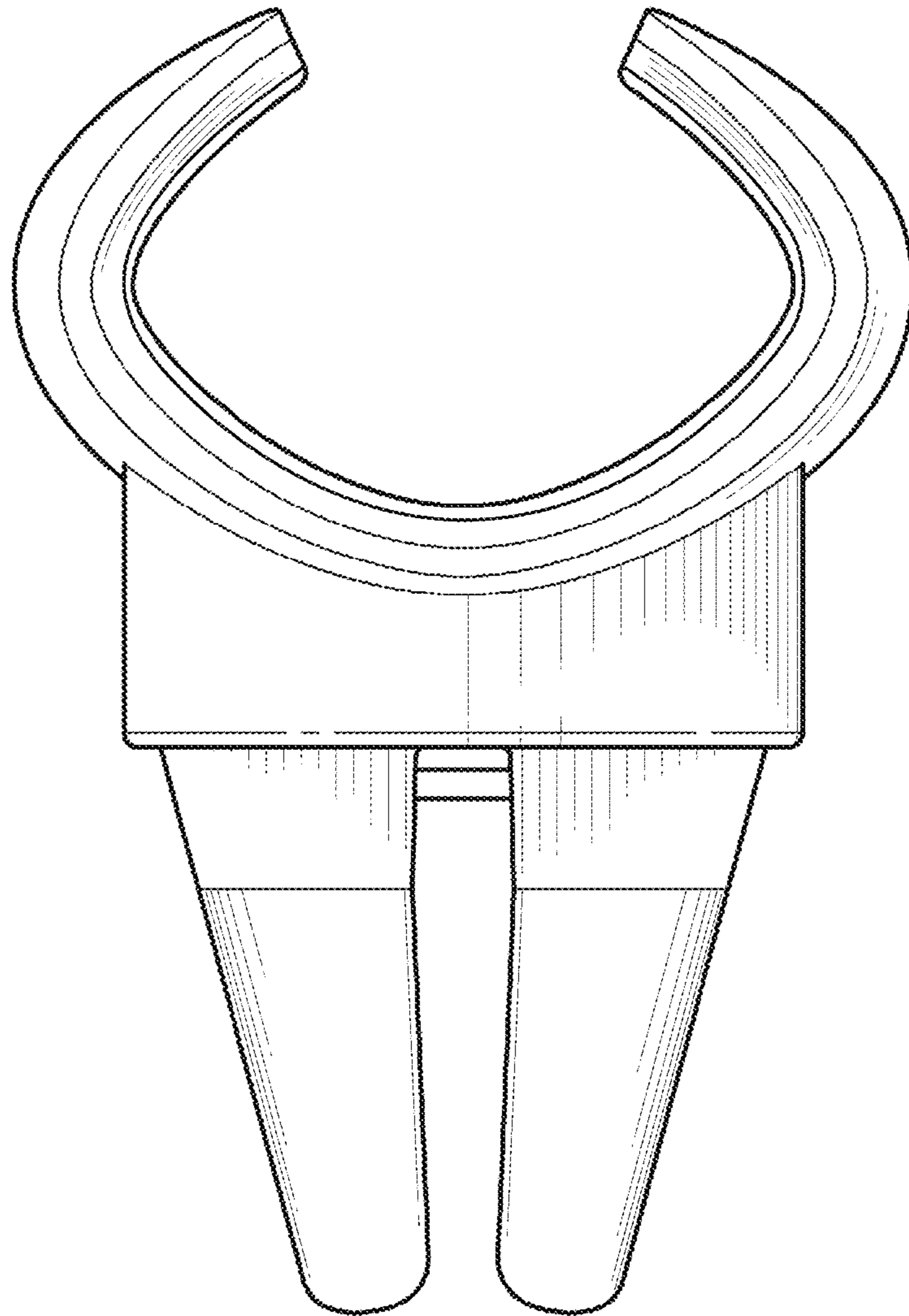


FIG . 7