



US00D968687S

(12) **United States Design Patent**
Venable

(10) **Patent No.:** **US D968,687 S**

(45) **Date of Patent:** **** Nov. 1, 2022**

(54) **ASHTRAY WITH COMPARTMENT AND LID**

(71) Applicant: **Keir Venable**, Stone Mountain, GA
(US)

(72) Inventor: **Keir Venable**, Stone Mountain, GA
(US)

(**) Term: **15 Years**

(21) Appl. No.: **29/784,607**

(22) Filed: **May 20, 2021**

(51) **LOC (13) Cl.** **27-03**

(52) **U.S. Cl.**
USPC **D27/102**

(58) **Field of Classification Search**
USPC D27/102, 105, 106, 108, 109, 122, 126,
D27/127, 133, 135, 136, 138; D7/583,
D7/584, 587
CPC A24F 19/00; A24F 19/0035; A24F 19/10;
A24F 19/0014; A24F 15/08; A24F 15/00;
A24F 15/02

See application file for complete search history.

(56) **References Cited**

U.S. PATENT DOCUMENTS

4,312,346 A * 1/1982 Grigg A24F 19/00
131/231
D350,481 S * 9/1994 DeLury D9/436
5,535,762 A * 7/1996 Li A24F 19/145
131/241
D402,399 S * 12/1998 Fowler D27/102
D422,825 S * 4/2000 Hoffmann D6/552
D432,712 S * 10/2000 Perrier D27/102

D453,052 S * 1/2002 Hsu D27/135
D453,236 S * 1/2002 Hsu D27/134
6,435,192 B1 * 8/2002 Cancellera A24F 19/00
D27/102
D462,803 S * 9/2002 Meoli D27/135
D677,426 S * 3/2013 Henry D27/136
D780,992 S * 3/2017 Lozier D27/125
D843,051 S * 3/2019 Hennen D27/105
D859,733 S * 9/2019 Sharp D27/118
D866,060 S * 11/2019 Hennen D27/106
2010/0065072 A1 * 3/2010 Ying Ching A24F 19/0028
131/231

OTHER PUBLICATIONS

Metal Push Down Cigarette Ashtray By: LuckStone found on line
(Jul. 14, 2022) <https://www.amazon.com/Black-Round-Cigarette-Ashtray-Spinning/dp/B074P2VW7F> (Feb. 4, 2020).*

* cited by examiner

Primary Examiner — Rebecca Tsehaye

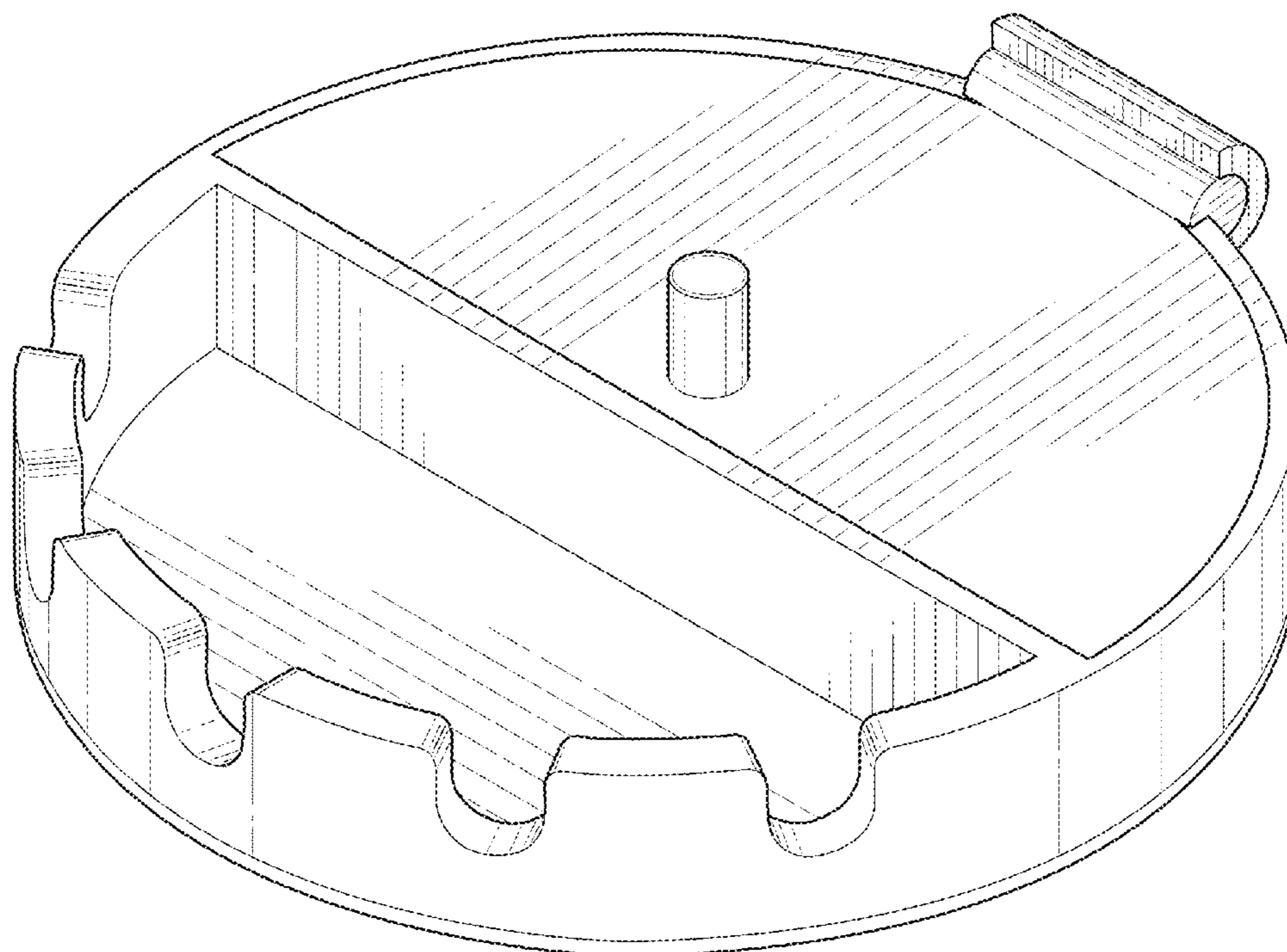
(57) **CLAIM**

An ornamental design for an ashtray with compartment and lid, as shown and described.

DESCRIPTION

FIG. 1 is a perspective view of the present invention.
FIG. 2 is a front view thereof.
FIG. 3 is a rear view thereof.
FIG. 4 is a right side view thereof.
FIG. 5 is a left side view thereof.
FIG. 6 is a top view thereof.
FIG. 7 is a bottom view thereof; and,
FIG. 8 is a right side view thereof, with compartment lid opened.

1 Claim, 6 Drawing Sheets



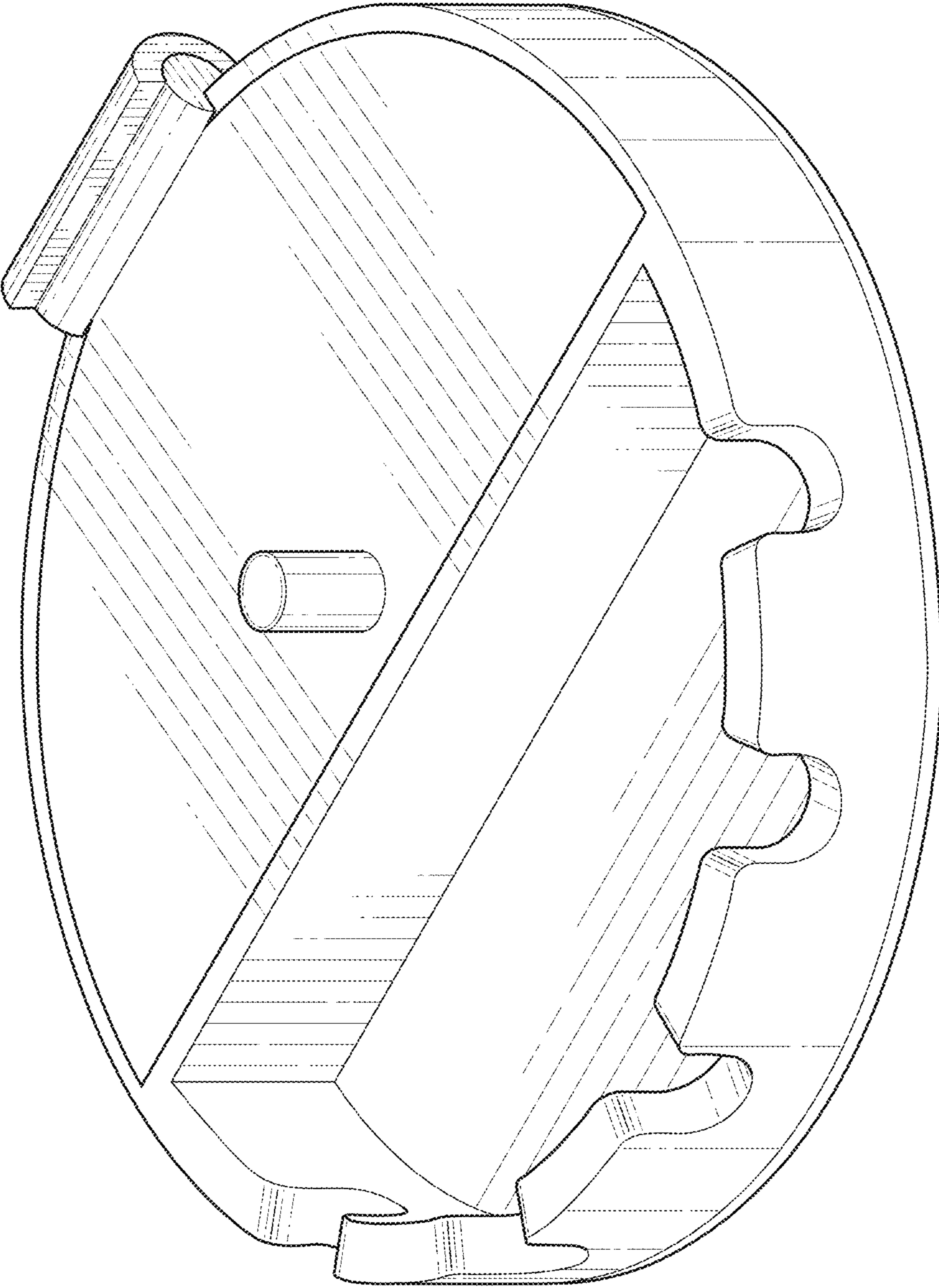


FIG. 1

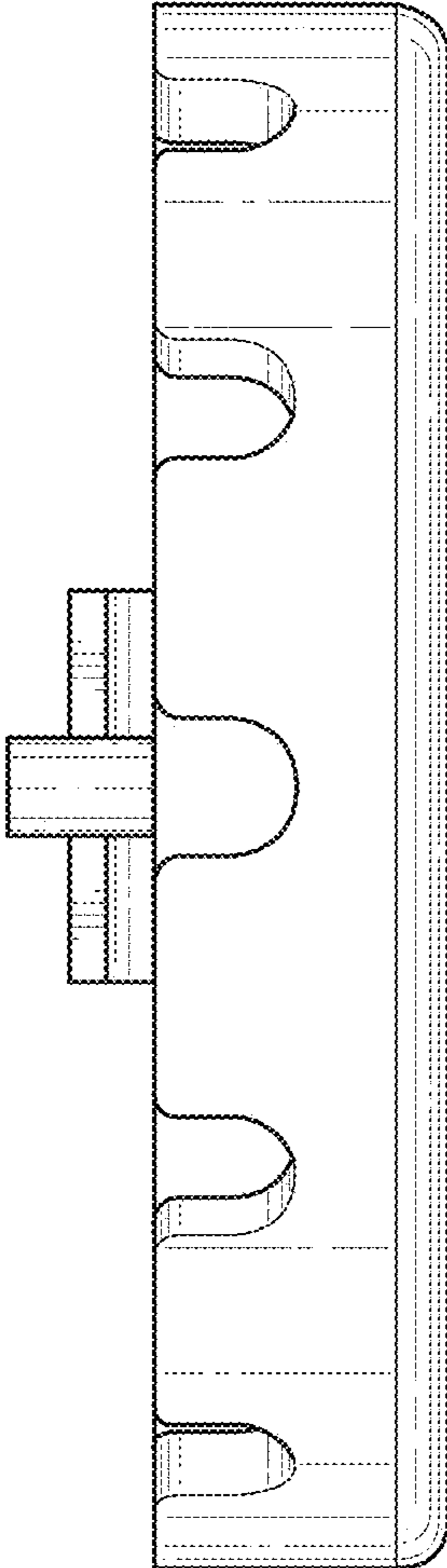


FIG. 2

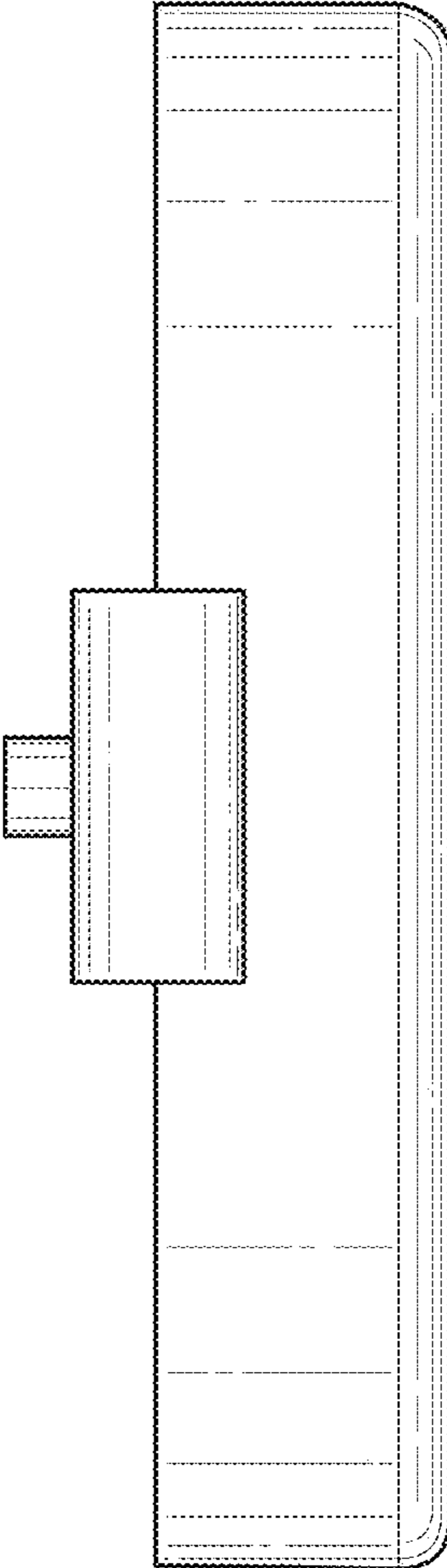


FIG. 3

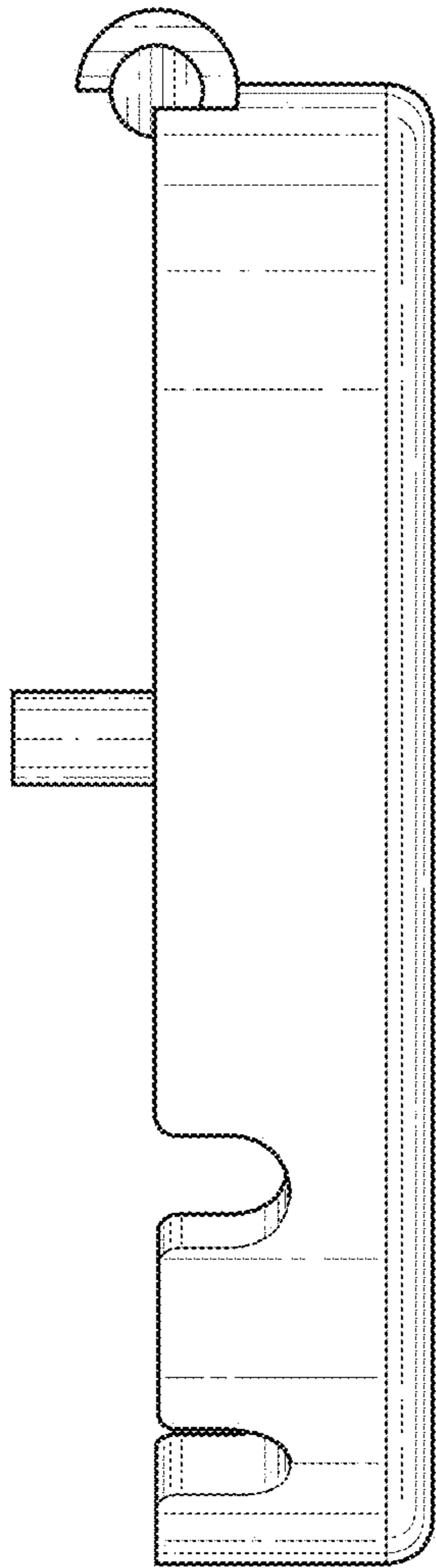


FIG. 4

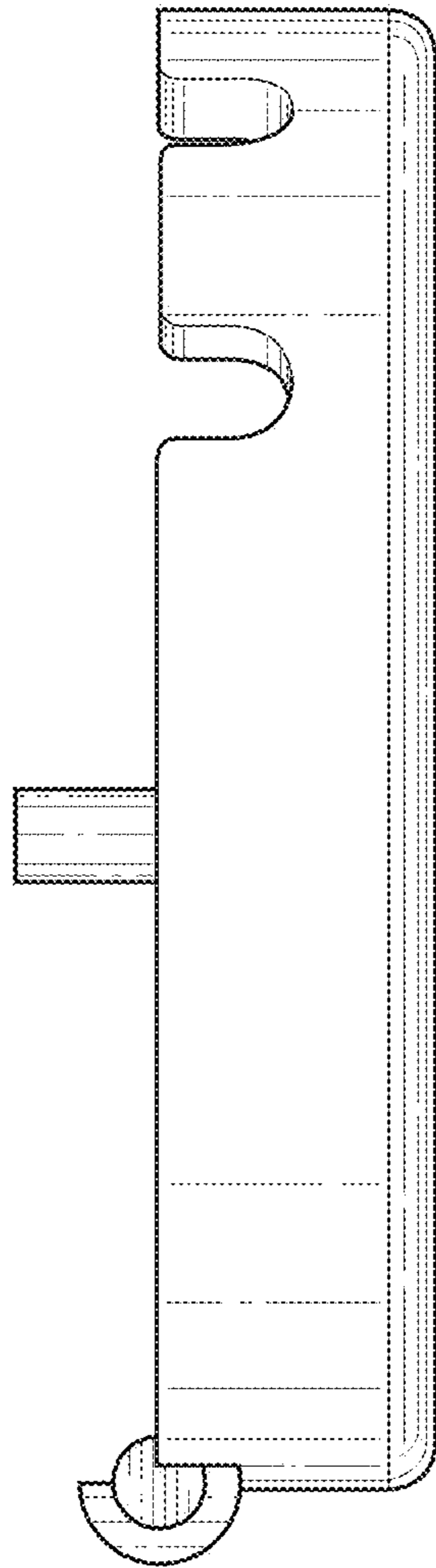


FIG. 5

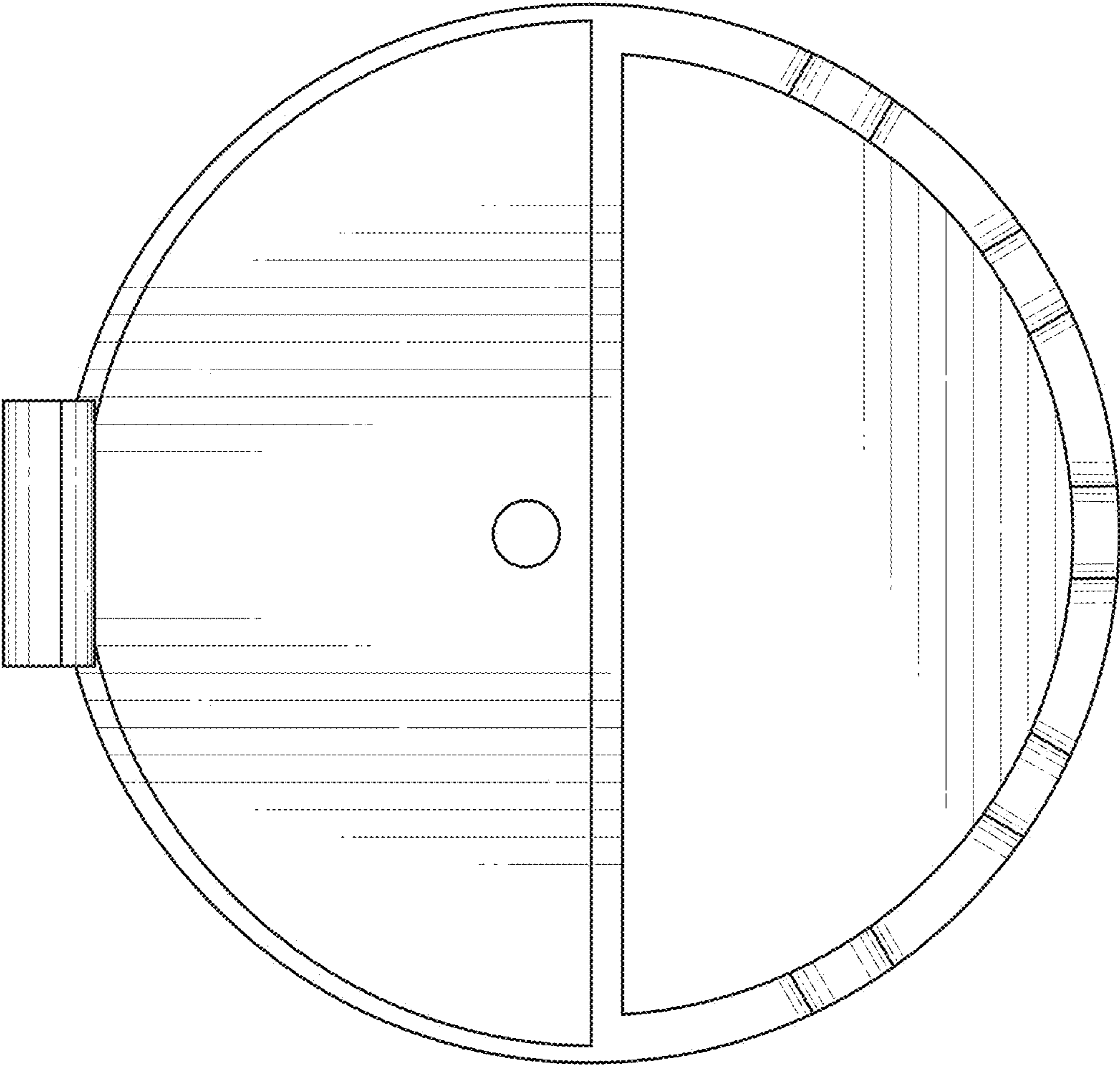


FIG. 6

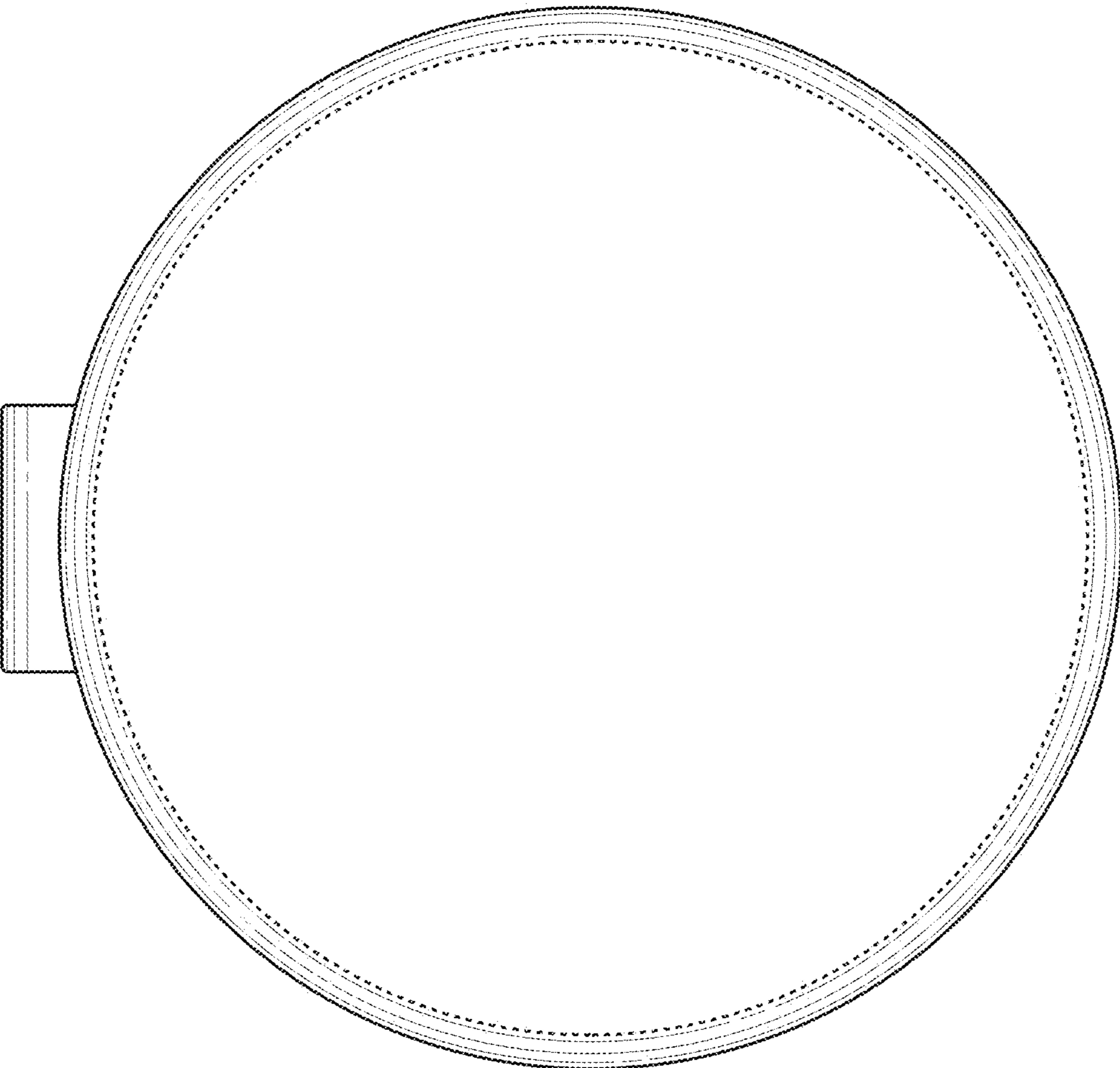


FIG. 7

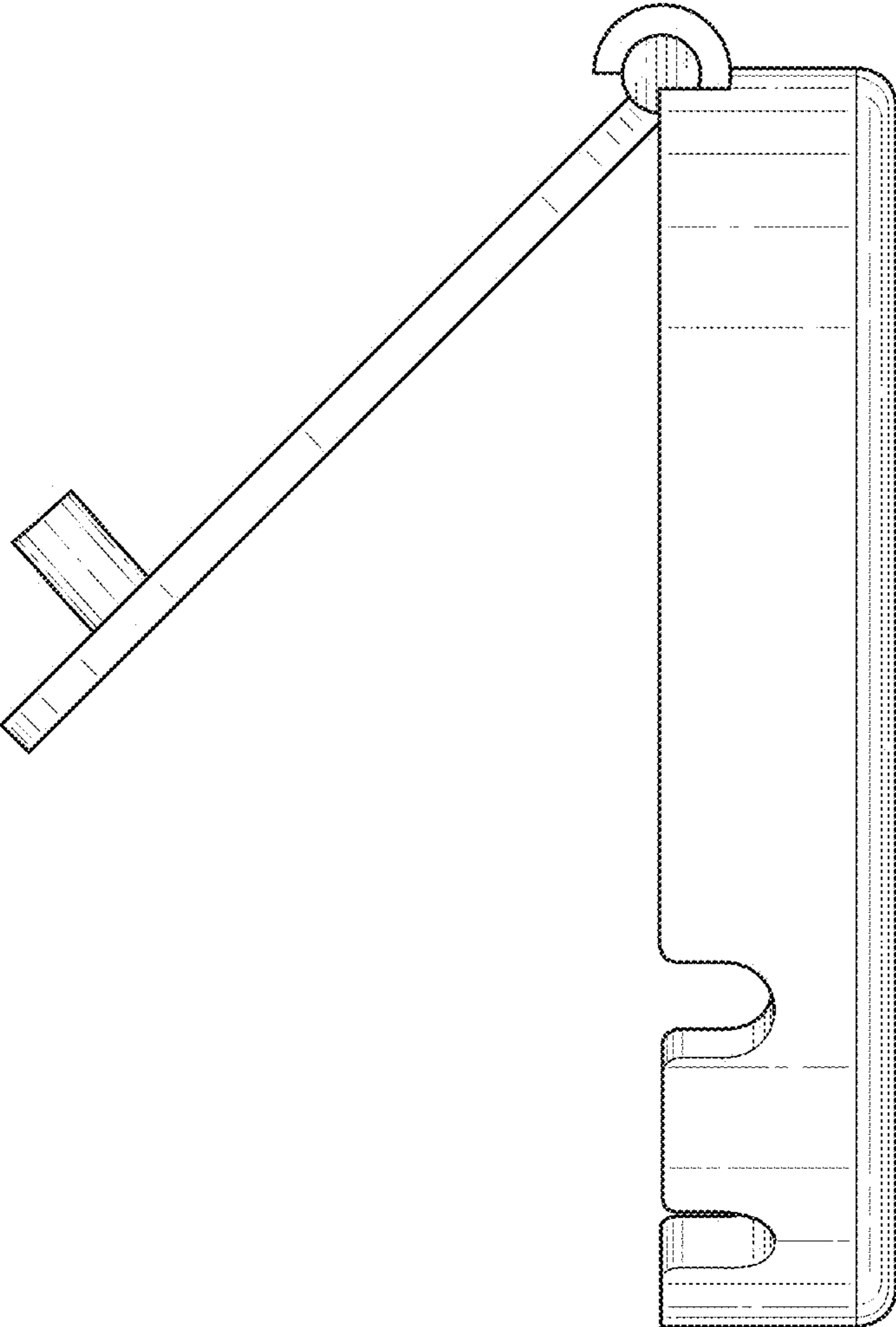


FIG. 8