

US00D968684S

(12) **United States Design Patent** (10) **Patent No.:** **US D968,684 S**
Li (45) **Date of Patent:** **** Nov. 1, 2022**

(54) **POLE FOR STRING LIGHTS**
(71) Applicant: **Junmin Li**, Yongkang (CN)
(72) Inventor: **Junmin Li**, Yongkang (CN)
(**) Term: **15 Years**
(21) Appl. No.: **29/828,056**

D517,343 S * 3/2006 Hayes D6/403
D589,336 S * 3/2009 Cosimo D8/388
D732,218 S * 6/2015 Ko D26/63
D891,204 S * 7/2020 McGrade D8/1
D911,574 S * 2/2021 Hui D26/68
D924,469 S * 7/2021 Li D26/140
D926,353 S 7/2021 Sherman et al.
D940,380 S 1/2022 Xu
D948,106 S * 4/2022 Yuan D26/138
D950,141 S * 4/2022 Dong D8/367
D955,629 S * 6/2022 Tang D26/138

(22) Filed: **Feb. 24, 2022**
(51) **LOC (13) Cl.** **26-05**
(52) **U.S. Cl.**
USPC **D26/138; D26/67**
(58) **Field of Classification Search**
USPC D26/67, 138, 139, 140, 141, 142, 152
CPC F21S 2/00; F21S 4/00; F21S 4/003; F21S
4/005; F21S 4/006; F21S 4/007; F21S
4/008; F21S 6/00; F21S 8/00; F21S
8/024; F21S 8/026; F21S 8/031; F21S
8/033; F21S 8/035-037; F21S 8/04; F21S
8/043; F21S 8/063
See application file for complete search history.

* cited by examiner

Primary Examiner — Natasha Vujcic
(74) *Attorney, Agent, or Firm* — Che-Yang Chen; Law
Office of Michael Chen

(57) **CLAIM**

I claim, the ornamental design for a pole for string lights, as shown and described.

DESCRIPTION

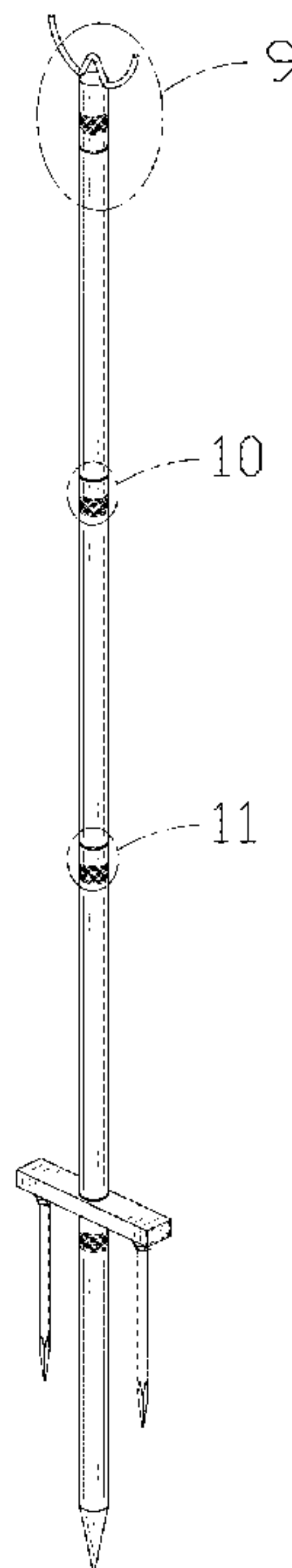
FIG. 1 is a perspective view of the pole for string lights showing my new design;
FIG. 2 is a perspective view thereof from another angle;
FIG. 3 is a front elevational view thereof;
FIG. 4 is a rear elevational view thereof;
FIG. 5 is a left side elevational view thereof;
FIG. 6 is a right side elevational view thereof;
FIG. 7 is a top plan view thereof;
FIG. 8 is a bottom plan view thereof;
FIG. 9 is a partial enlarged view of portion 9 in FIG. 1;
FIG. 10 is a partial enlarged view of portion 10 in FIG. 1;
FIG. 11 is a partial enlarged view of portion 11 in FIG. 1;
and,
FIG. 12 is a partial enlarged view of portion 12 in FIG. 2.

(56) **References Cited**

U.S. PATENT DOCUMENTS

D337,849 S * 7/1993 Bradley D26/138
D365,169 S * 12/1995 Fillipp D26/138
D376,443 S * 12/1996 Porter D26/138
D377,844 S * 2/1997 Gary D26/138
D378,439 S * 3/1997 Gary D26/138
D435,685 S * 12/2000 Lelm D26/138
D439,999 S * 4/2001 Stekelenburg D26/65
D445,946 S * 7/2001 Kleinsasser D26/138
D469,566 S * 1/2003 Gary F21V 21/0824
D26/138

1 Claim, 12 Drawing Sheets



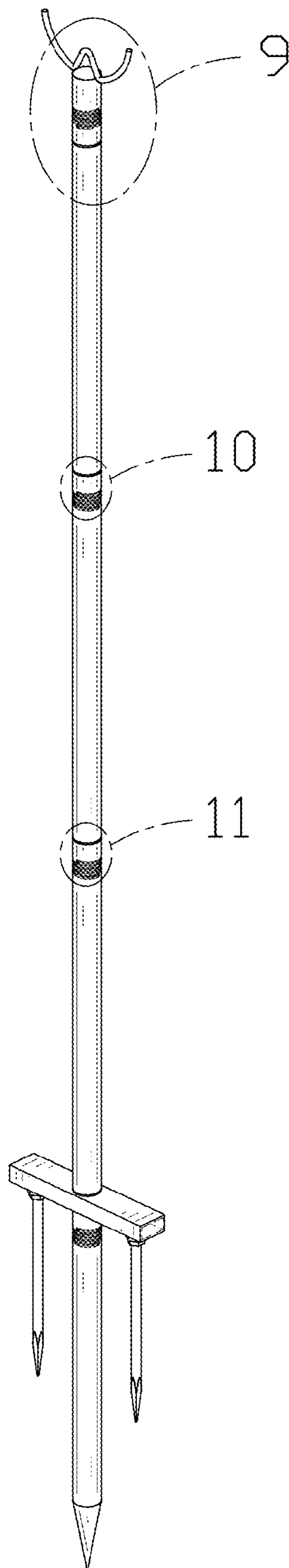


FIG. 1

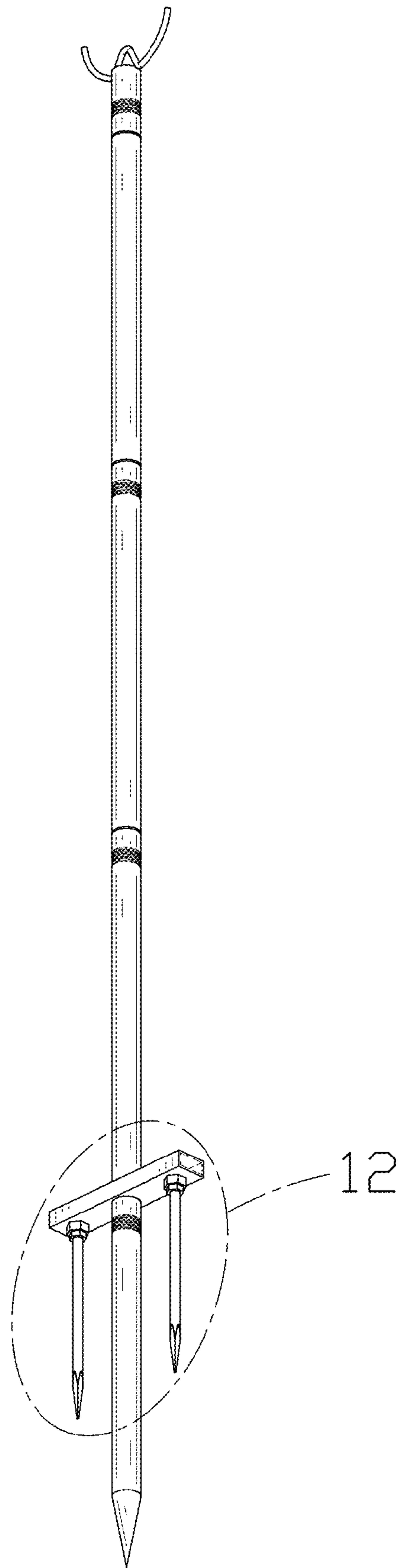


FIG. 2

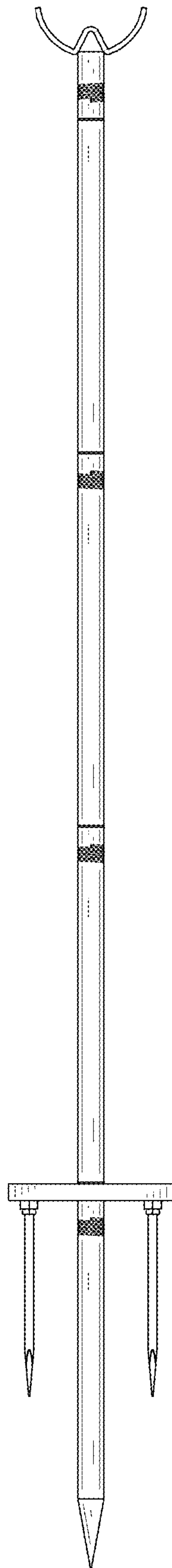


FIG. 3

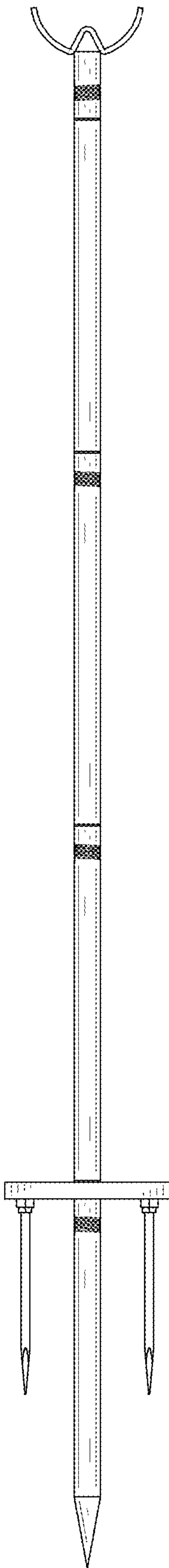


FIG. 4

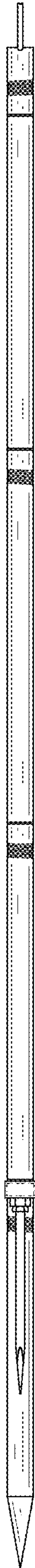


FIG. 5

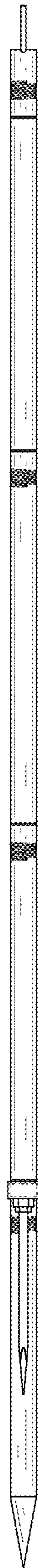


FIG. 6



FIG. 7

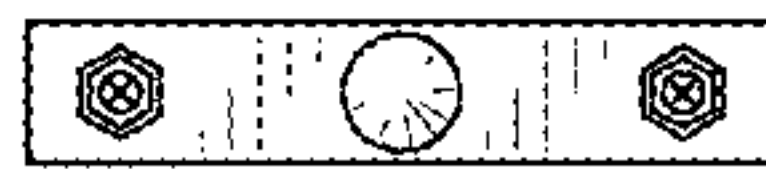


FIG. 8

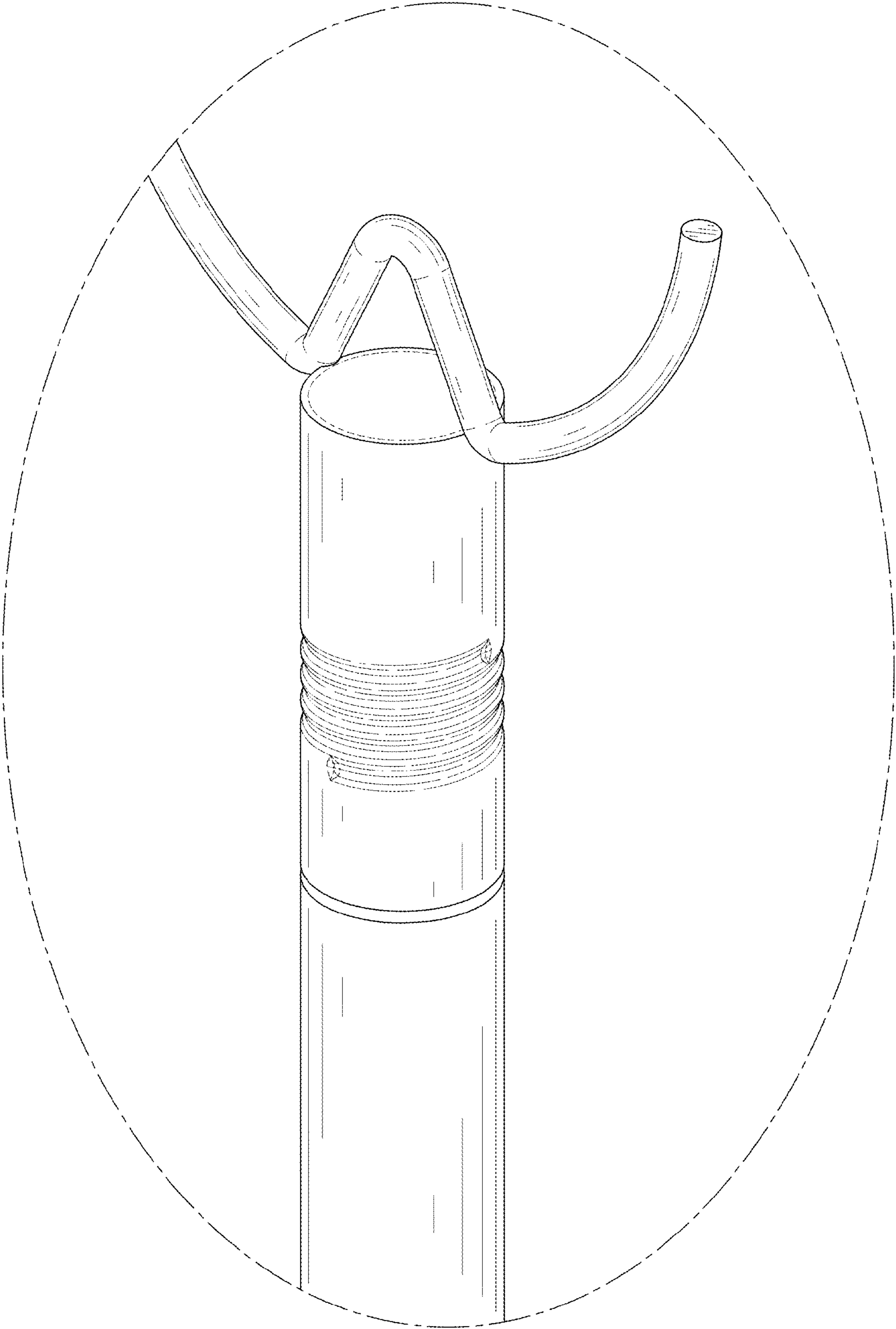


FIG. 9

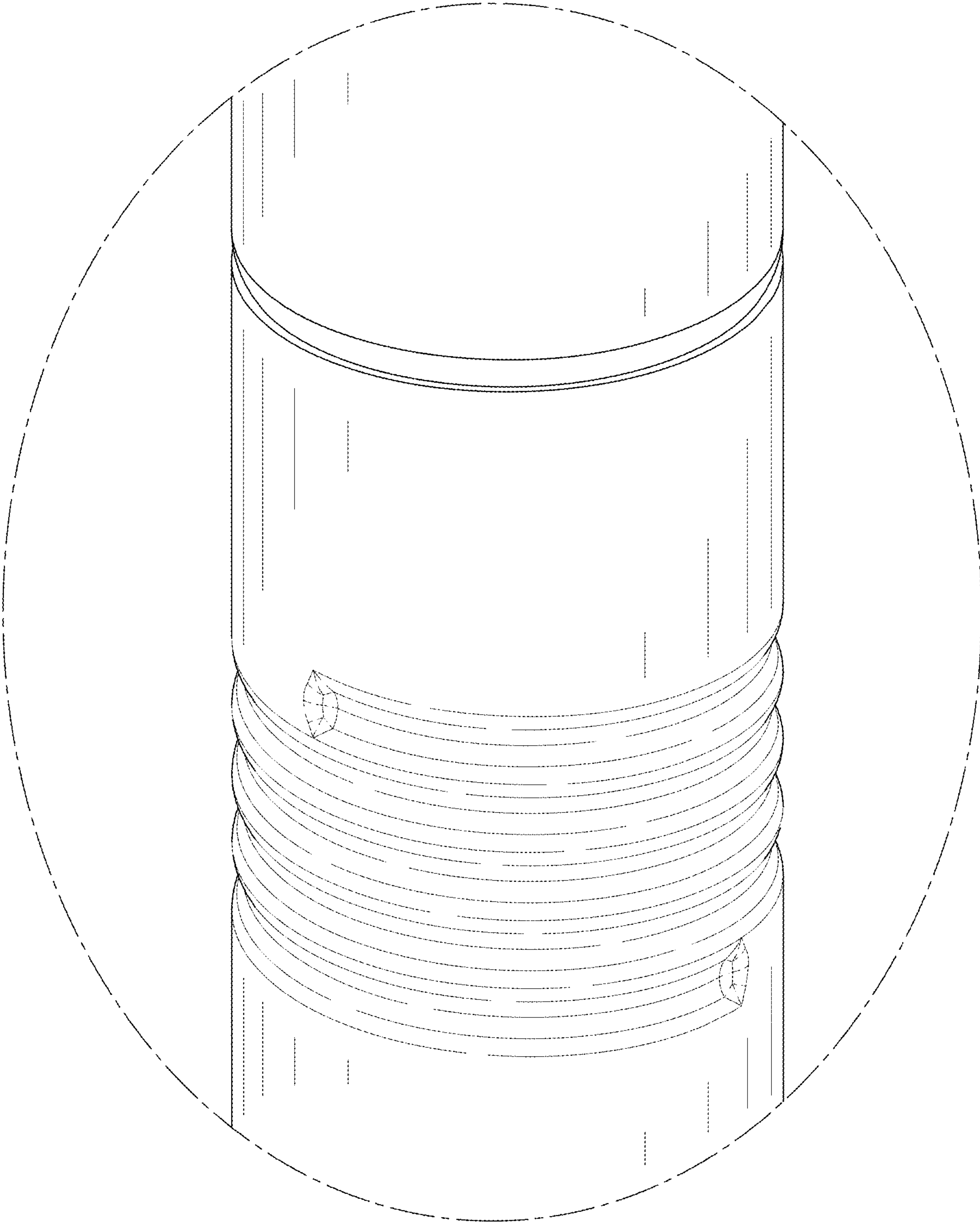


FIG. 10

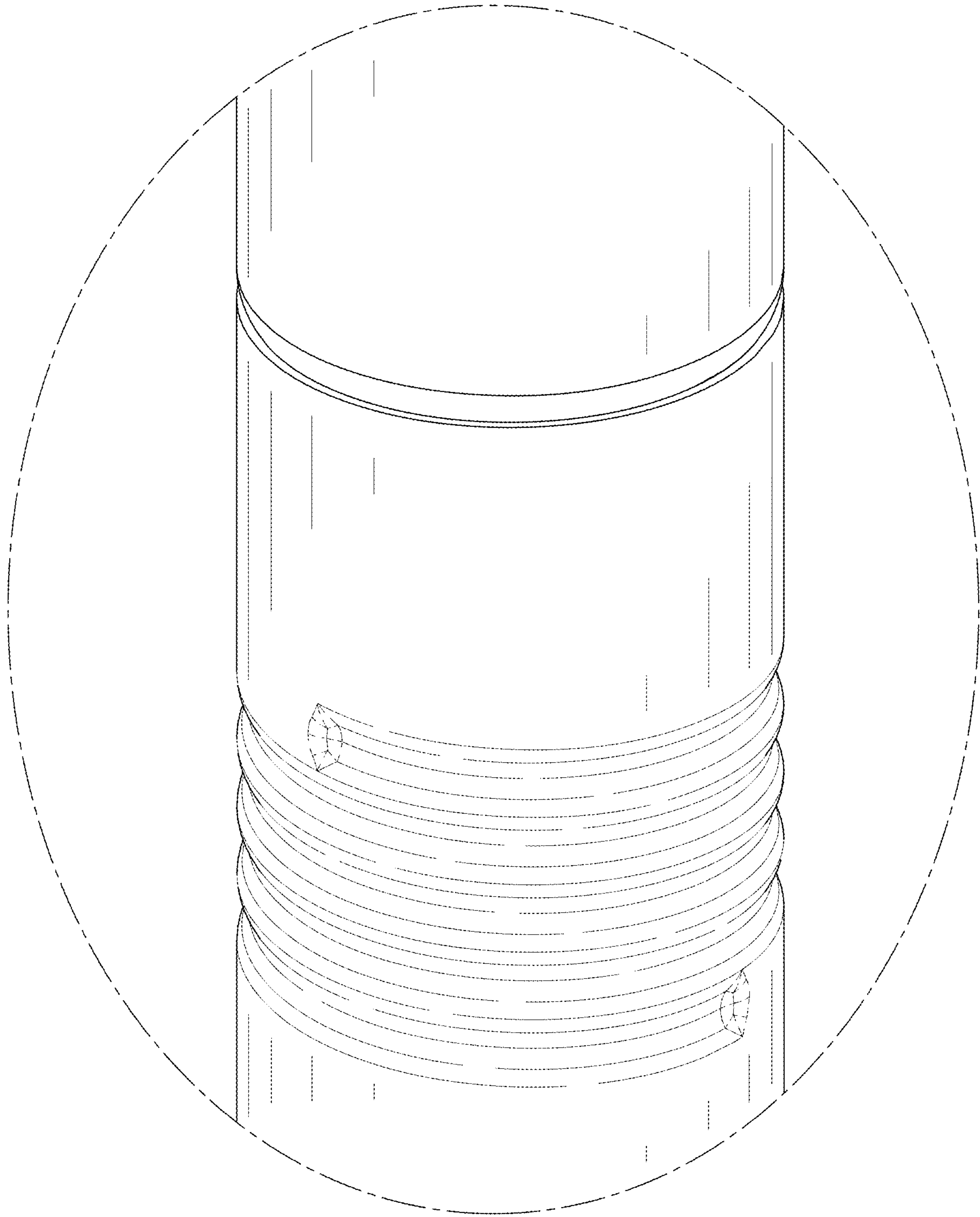


FIG. 11

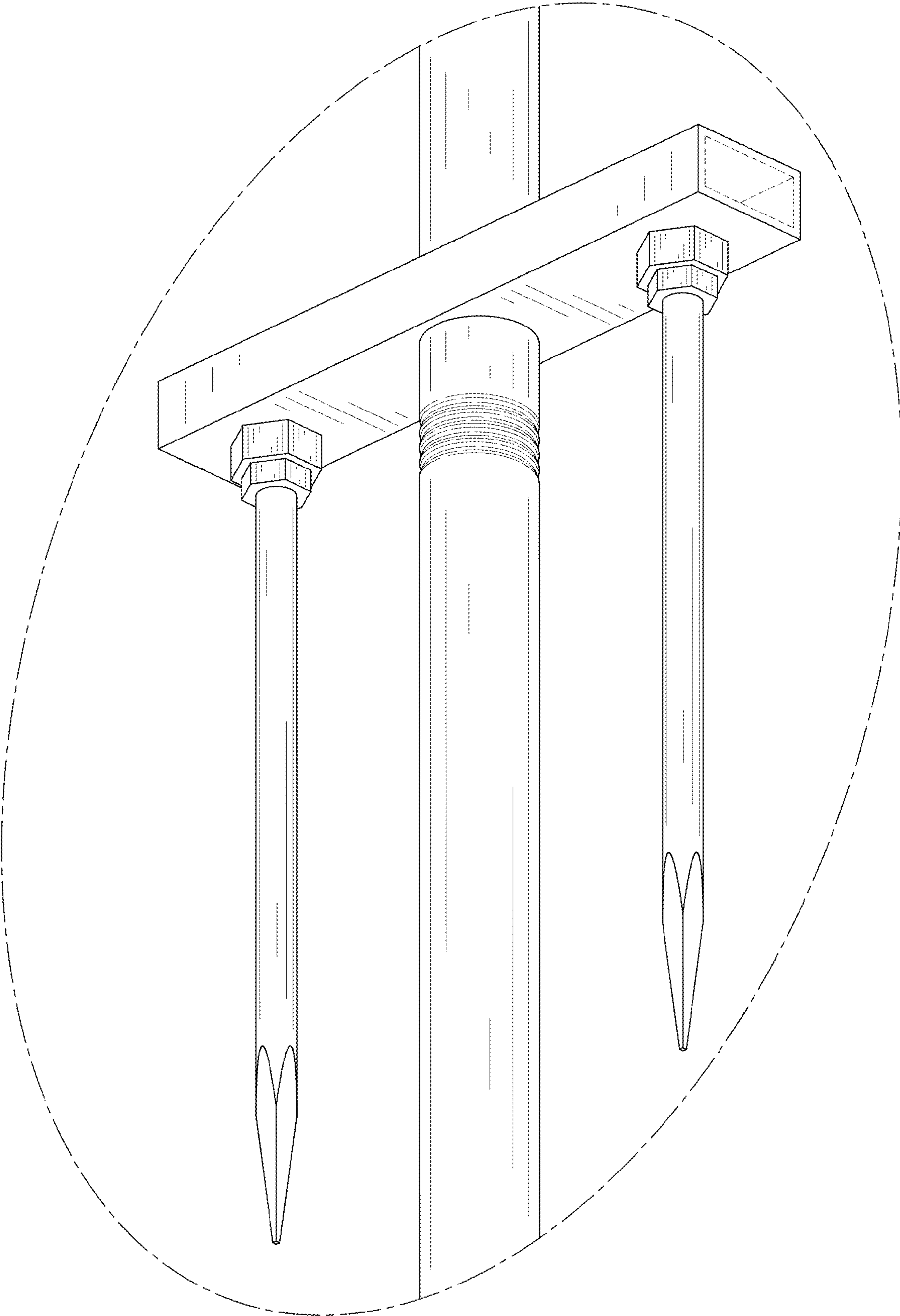


FIG. 12