



US00D968682S

(12) **United States Design Patent** (10) **Patent No.:** **US D968,682 S**
Wheatley et al. (45) **Date of Patent:** **** Nov. 1, 2022**

(54) **GRIPPER PAD**
(71) Applicant: **Siser NA**, Sterling Heights, MI (US)
(72) Inventors: **David Wheatley**, Sterling Heights, MI (US); **Keith Allison**, Sterling Heights, MI (US); **Micah Leong**, Sterling Heights, MI (US); **Maya Groscurth**, Sterling Heights, MI (US)

D845,031 S * 4/2019 Huang D6/586
D885,621 S * 5/2020 Zaderej D26/37
D934,277 S * 10/2021 Park D14/485
D935,144 S * 11/2021 Patt D2/947
D951,294 S * 5/2022 Park D14/492
2009/0100566 A1* 4/2009 Schiavino D06P 1/44
2/80
2012/0326376 A1* 12/2012 Krohmer B25B 11/00
269/289 R

(73) Assignee: **Siser NA**, Sterling Heights, MI (US)
(**) Term: **15 Years**

OTHER PUBLICATIONS
Rosmax Rug Gripper. By Rosmax. Dated Oct. 20, 2021. Found online [Dec. 9, 2021]. <https://www.amazon.com/Rosmax-Gripper-Curling-Reusable-Grippers/dp/B09H27PBG7> (Year: 2021).*

(21) Appl. No.: **29/757,377**
(22) Filed: **Nov. 5, 2020**
(51) **LOC (13) Cl.** **26-05**
(52) **U.S. Cl.**
USPC **D26/138**
(58) **Field of Classification Search**
USPC D26/1, 24, 37-51, 56, 58, 93, 105, 113, D26/118-120, 138; D2/947, 948, 951, D2/952; D5/20, 27; D14/485, 489, 492, D14/495
CPC B32B 2307/744; B32B 2307/746; B32B 3/30; B32B 25/04; B32B 2270/00; A43B 13/22; A43B 13/223; A43B 13/04
See application file for complete search history.

(Continued)

Primary Examiner — Marissa J Cash
Assistant Examiner — William B Melliar
(74) *Attorney, Agent, or Firm* — Fishman Stewart PLLC

(56) **References Cited**

U.S. PATENT DOCUMENTS

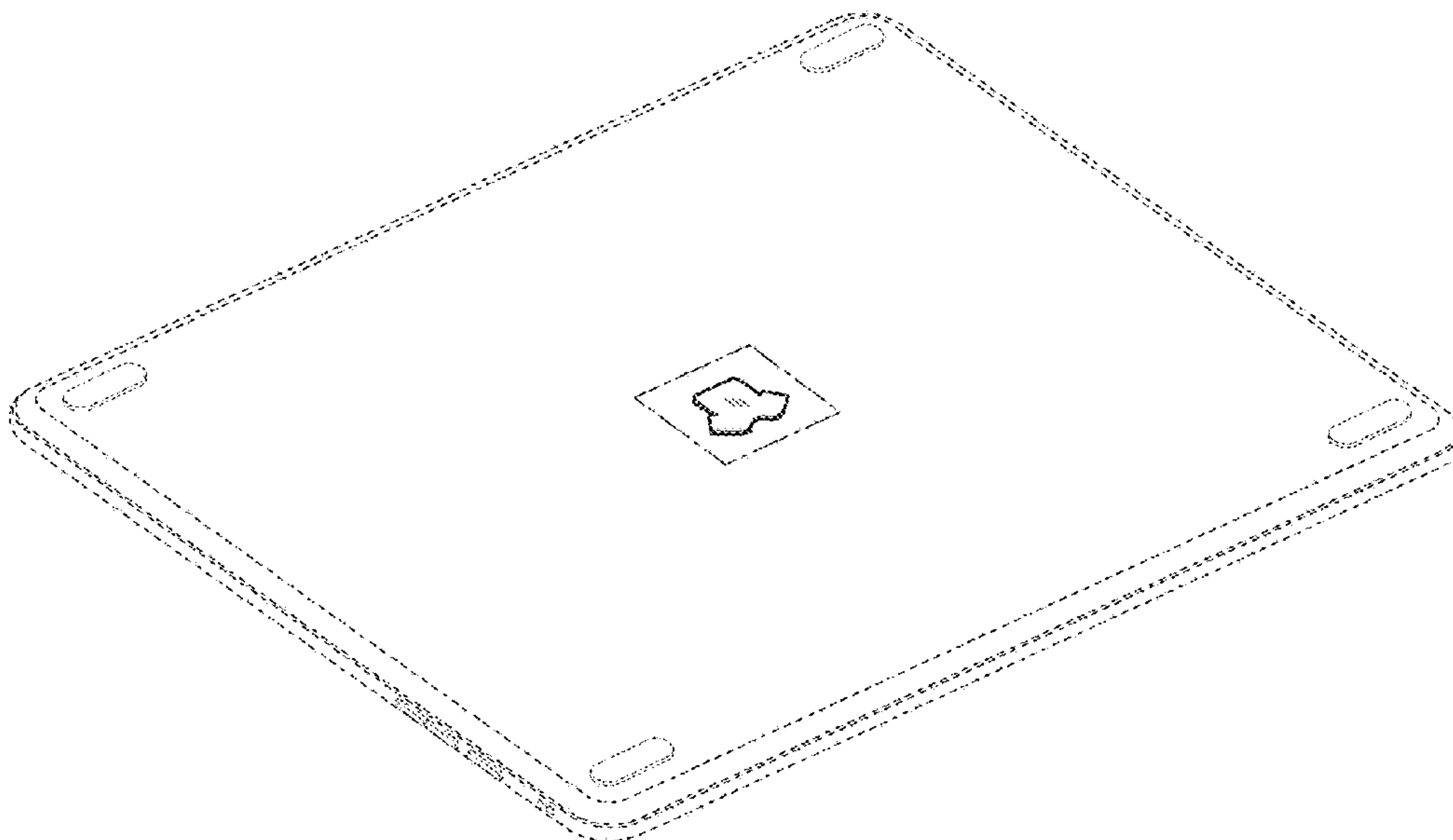
D509,047 S * 9/2005 Hansen D2/947
D547,323 S * 7/2007 Ivanov D14/489
D625,497 S * 10/2010 McClaskie D2/952
D755,852 S * 5/2016 Kang D14/492
D780,416 S * 3/2017 Huang D2/952
D819,079 S * 5/2018 Kang D14/492
D819,080 S * 5/2018 Yoon D14/492
D827,267 S * 9/2018 Beckmann Legorreta D2/952

(57) **CLAIM**
The ornamental design for a gripper pad, as shown and described.

DESCRIPTION

FIG. 1 is a front perspective view of a gripper pad; FIG. 2 is a rear perspective view of a gripper pad; FIG. 3 is a plan view of a gripper pad; FIG. 4 is a top view of a gripper pad; FIG. 5 is a left side view of a gripper pad; FIG. 6 is a right side view of a gripper pad; FIG. 7 is a front view of a gripper pad; and, FIG. 8 is a rear view of a gripper pad.
The broken lines (dot-dot) in the drawings illustrate environment of the gripper pad that forms no part of the claimed design. The broken lines (dash-dot) surrounding the shaded area represents unclaimed boundary of the design and forms no part thereof.

1 Claim, 6 Drawing Sheets



(56)

References Cited

OTHER PUBLICATIONS

Jimisha Anti Slip Pad. By Jimisha. Dated Jun. 14, 2019. Found online [Dec. 9, 2021]. <https://www.amazon.com/JIMISHA-Sticky-Gripping-Multifunctional-Mounting/dp/B07T5RHCFS> (Year: 2019).*

Collection of T Shirt Cliparts. By Clipart-Library.com. Dated Dec. 1, 2016. Found online [Dec. 9, 2021]. <http://clipart-library.com/clipart/109945.htm> (Year: 2016).*

* cited by examiner

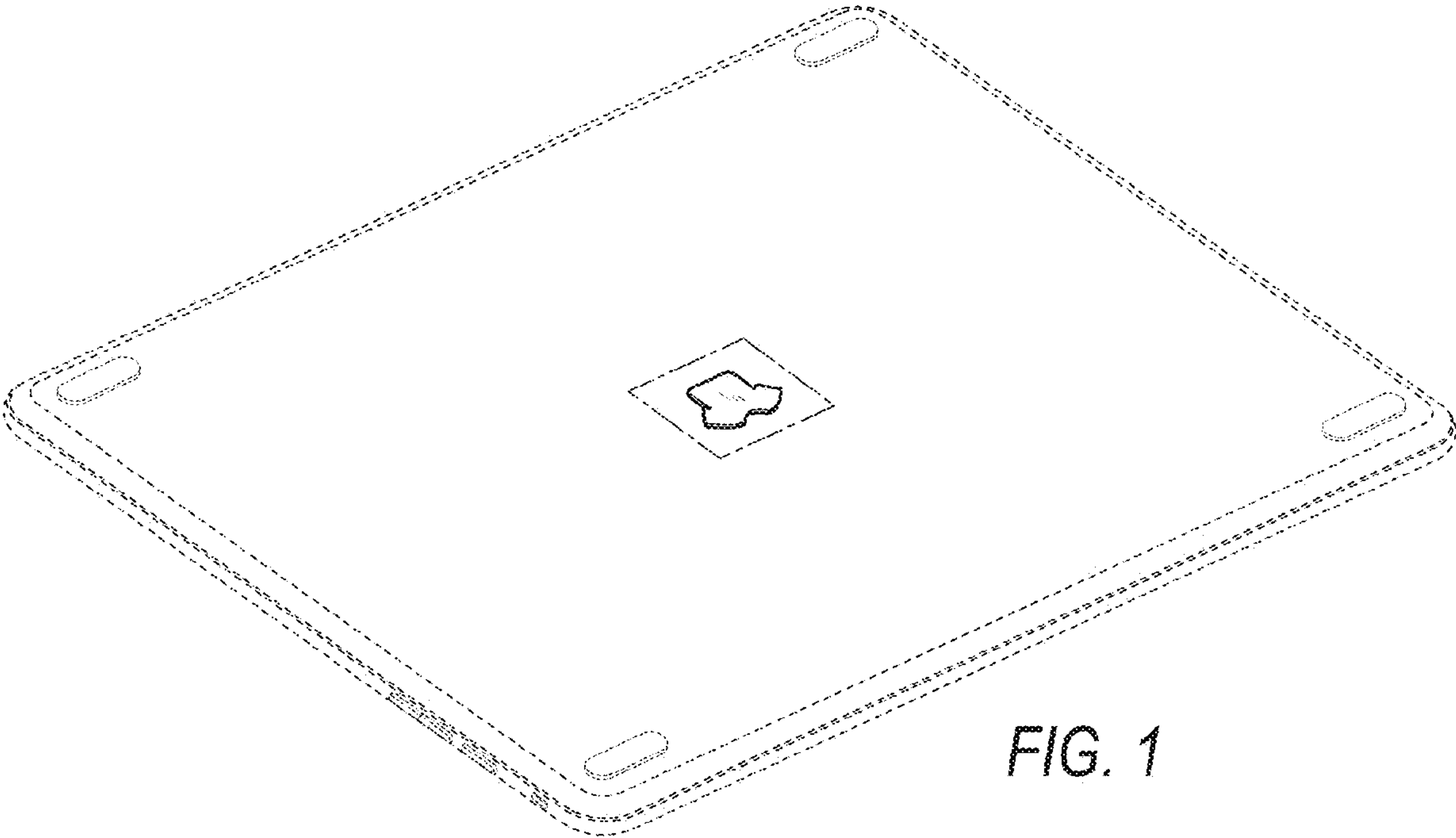


FIG. 1

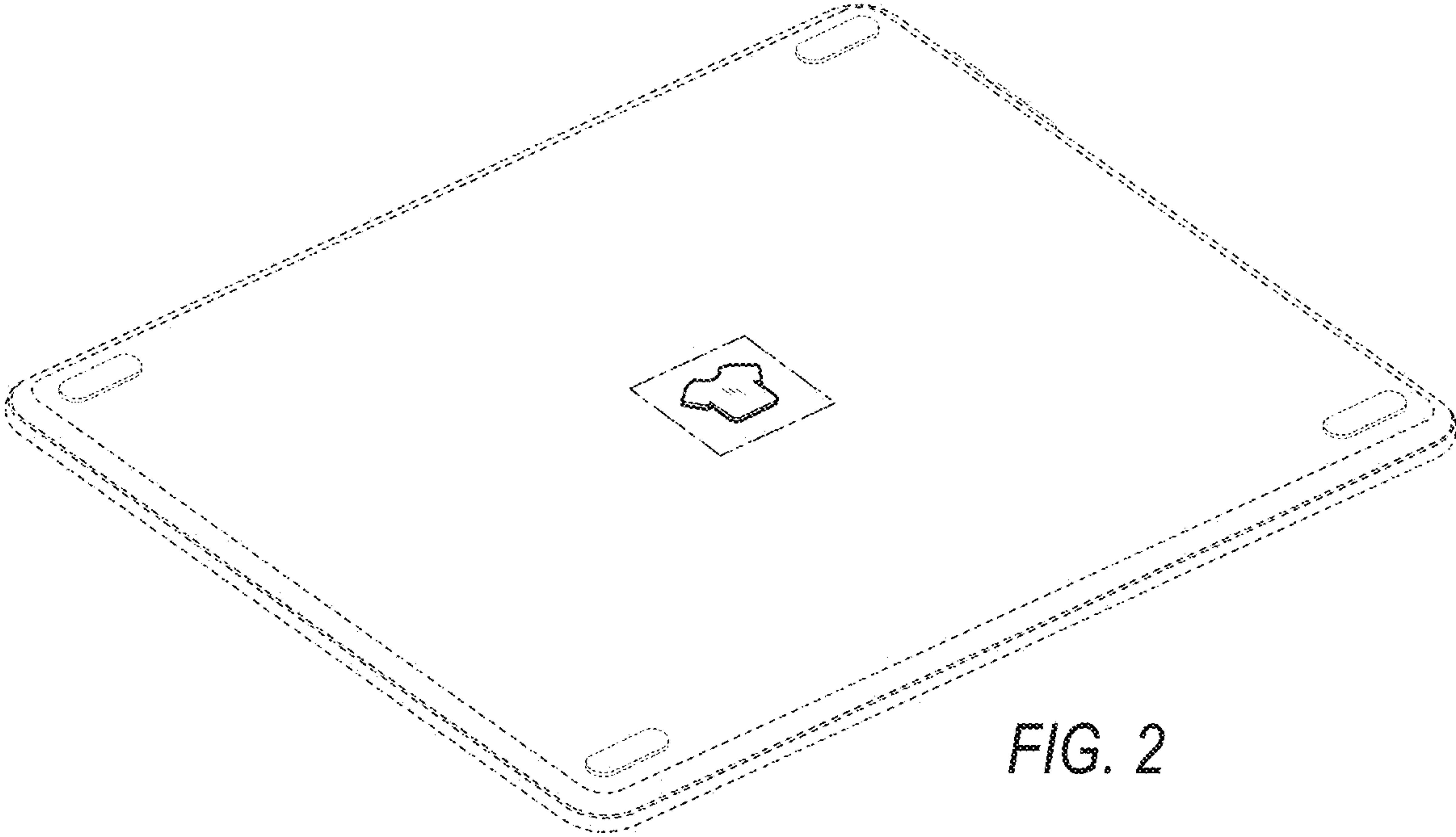


FIG. 2

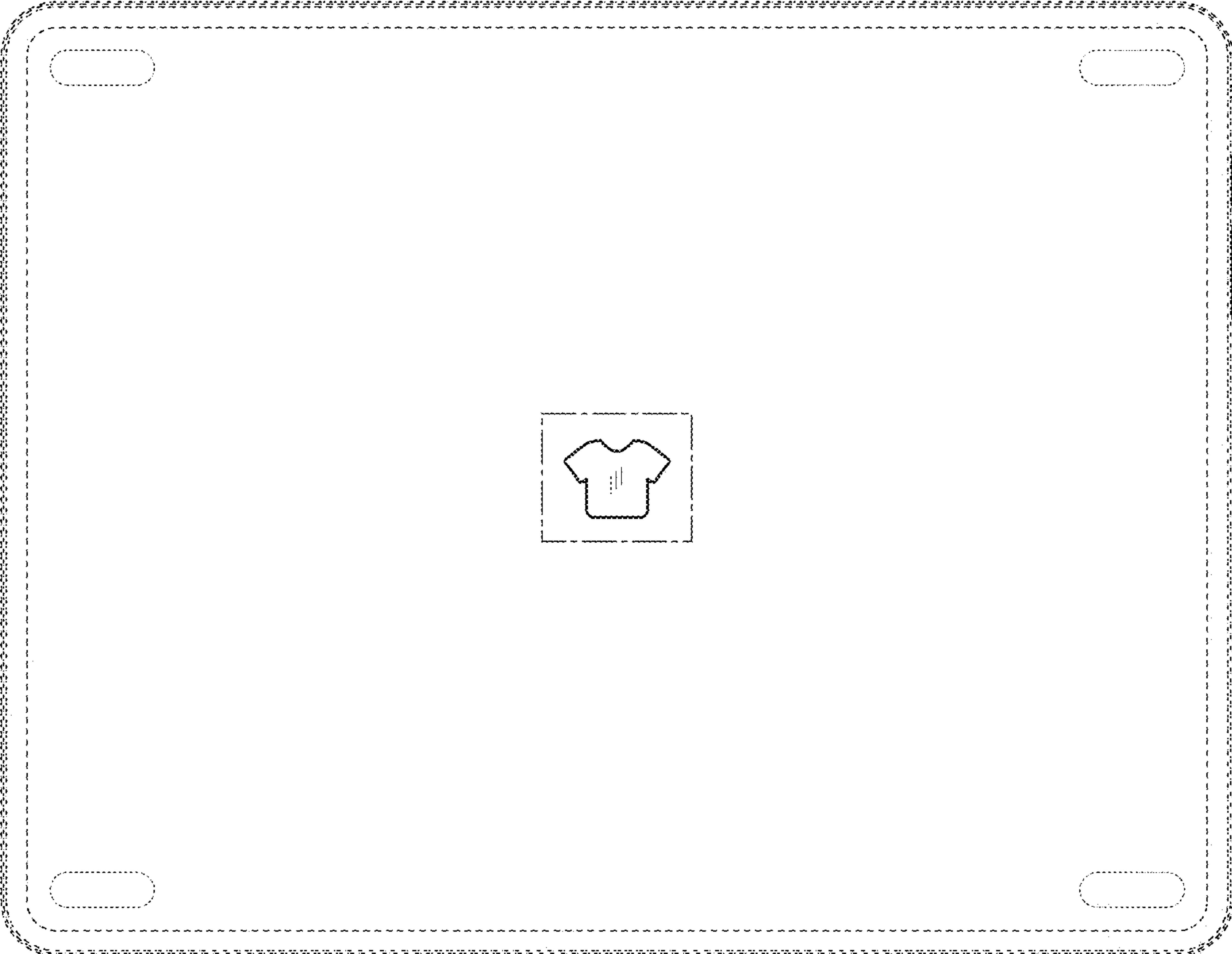


FIG. 3



FIG. 4

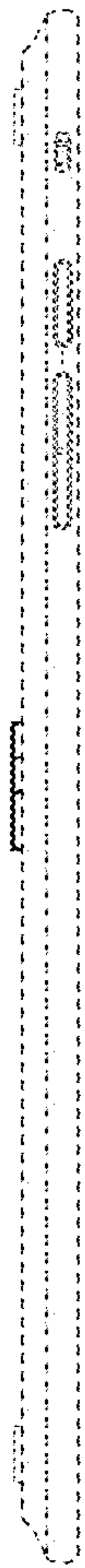


FIG. 5

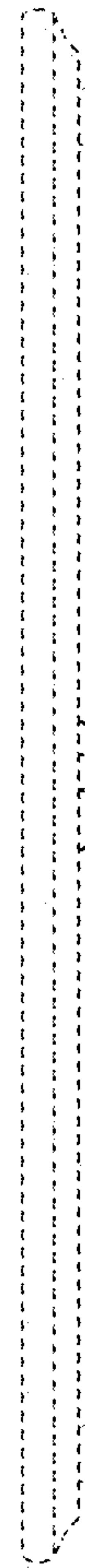


FIG. 6

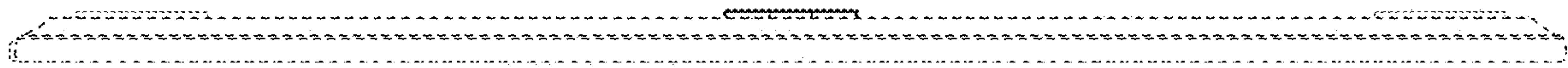


FIG. 7

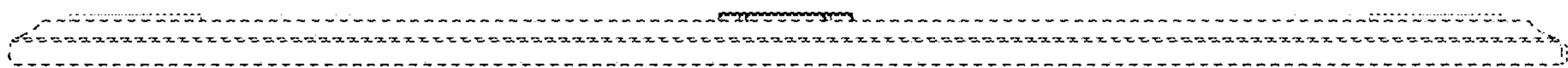


FIG. 8