



US00D968680S

(12) **United States Design Patent**
Wu

(10) **Patent No.:** **US D968,680 S**
(45) **Date of Patent:** **** Nov. 1, 2022**

(54) **LED LIGHT**

DESCRIPTION

- (71) Applicant: **ZHONGSHAN AITEMU OPTOELECTRONICS TECHNOLOGY CO., LTD,**
Zhongshan (CN)
- (72) Inventor: **Yingtao Wu,** Zhongshan (CN)
- (73) Assignee: **ZHONGSHAN AITEMU OPTOELECTRONICS TECHNOLOGY CO., LTD,**
Zhongshan (CN)
- (**) Term: **15 Years**
- (21) Appl. No.: **29/795,143**
- (22) Filed: **Jun. 17, 2021**
- (51) **LOC (13) Cl.** **26-05**
- (52) **U.S. Cl.**
USPC **D26/120**
- (58) **Field of Classification Search**
USPC D26/24, 61, 63, 66, 70, 80, 81, 86, 88,
D26/89, 118, 130

(Continued)

(56) **References Cited**

U.S. PATENT DOCUMENTS

- 3,188,458 A * 6/1965 Hickman F21V 29/00
165/53
- D498,171 S 11/2004 Webster
(Continued)

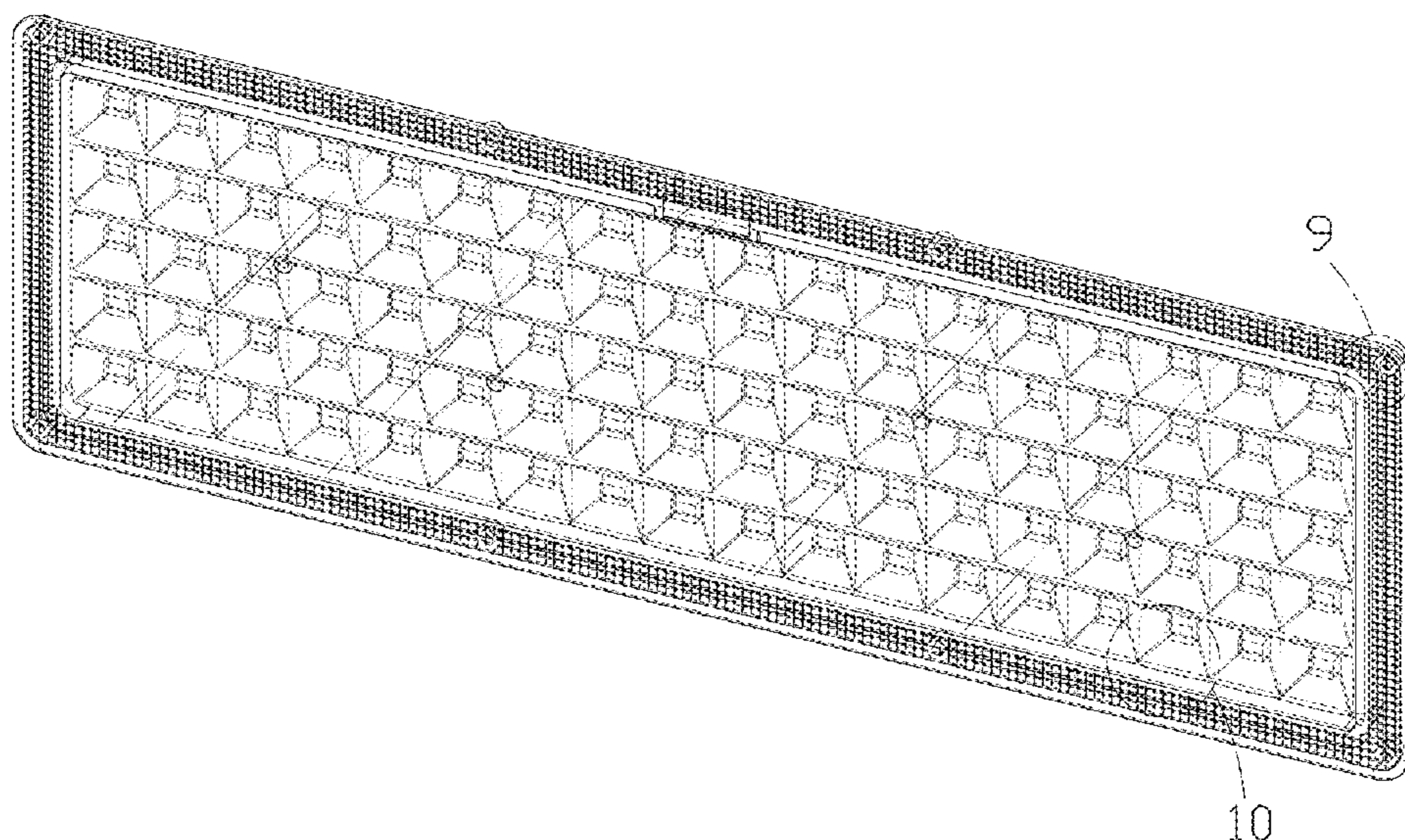
Primary Examiner — Wan Laymon
Assistant Examiner — Clint A Samuel

(57) **CLAIM**

The ornamental design for an LED light, as shown and described.

FIG. 1 is a front perspective view of a lampshade of an LED light, shown separately for illustration; FIG. 2 is rear perspective view thereof; FIG. 3 is a front elevational view thereof; FIG. 4 is a rear elevational view thereof; FIG. 5 is a left side elevational view thereof; FIG. 6 is a right side elevational view thereof; FIG. 7 is a top plan view thereof; FIG. 8 is a bottom plan view thereof; FIG. 9 is an enlarged view of portion 9 shown in FIG. 1; FIG. 10 is an enlarged view of portion 10 shown in FIG. 1; FIG. 11 is an enlarged view of portion 11 shown in FIG. 2; FIG. 12 is an enlarged view of portion 12 shown in FIG. 2; FIG. 13 is perspective view of a light body of an LED light, shown separately for illustration; FIG. 14 is another perspective view thereof; FIG. 15 is a front elevational view thereof; FIG. 16 is a rear elevational view thereof; FIG. 17 is a left side elevational view thereof; FIG. 18 is a right side elevational view thereof; FIG. 19 is a top plan view thereof; FIG. 20 is a bottom plan view thereof; FIG. 21 is an enlarged view of portion 21 shown in FIG. 13; FIG. 22 is an enlarged view of portion 22 shown in FIG. 16; FIG. 23 is a perspective view of the LED light; FIG. 24 is an enlarged view of portion 24 shown in FIG. 23; FIG. 25 is an enlarged view of portion 25 shown in FIG. 23; FIG. 26 is an enlarged view of portion 26 shown in FIG. 23; FIG. 27 is a perspective view of the LED light where the LED light is in a first configuration of use; FIG. 28 is a perspective view of the LED light where the LED light is in a second configuration of use; FIG. 29 is a perspective view of the LED light where the LED light is in a third configuration of use; and, FIG. 30 is a perspective view of the LED light where the LED light is in a fourth configuration of use. The broken lines shown in the drawings are included for the purpose of illustrating portions and environmental elements of the LED light, and form no part of the claimed design.

1 Claim, 30 Drawing Sheets



(58) **Field of Classification Search**

CPC F21S 8/00; F21S 8/02; F21S 8/003; F21Y
2113/00; F21Y 2103/00; F21Y 2103/10

See application file for complete search history.

(56) **References Cited**

U.S. PATENT DOCUMENTS

D502,284 S *	2/2005	Egawa	D26/122
D542,963 S *	5/2007	Zucker	D26/121
D606,242 S *	12/2009	Takahashi	D26/120
D679,853 S *	4/2013	Chiou	D26/89
D695,435 S *	12/2013	Pedersen	D26/63
D702,387 S *	4/2014	Pedersen	D26/63
D736,989 S *	8/2015	Chen	D26/120
D736,990 S *	8/2015	Chen	D26/120
D736,991 S *	8/2015	Chen	D26/120
D736,992 S *	8/2015	Chen	D26/120
D759,281 S *	6/2016	Lee	D26/63
D771,284 S *	11/2016	Lockart	D26/63
D778,468 S	2/2017	van der Lande	
D779,702 S *	2/2017	Yeh	D26/77
D822,260 S *	7/2018	Lee	D26/87
D858,846 S *	9/2019	Flügel	D26/63
D887,626 S *	6/2020	Zou	D26/120

* cited by examiner

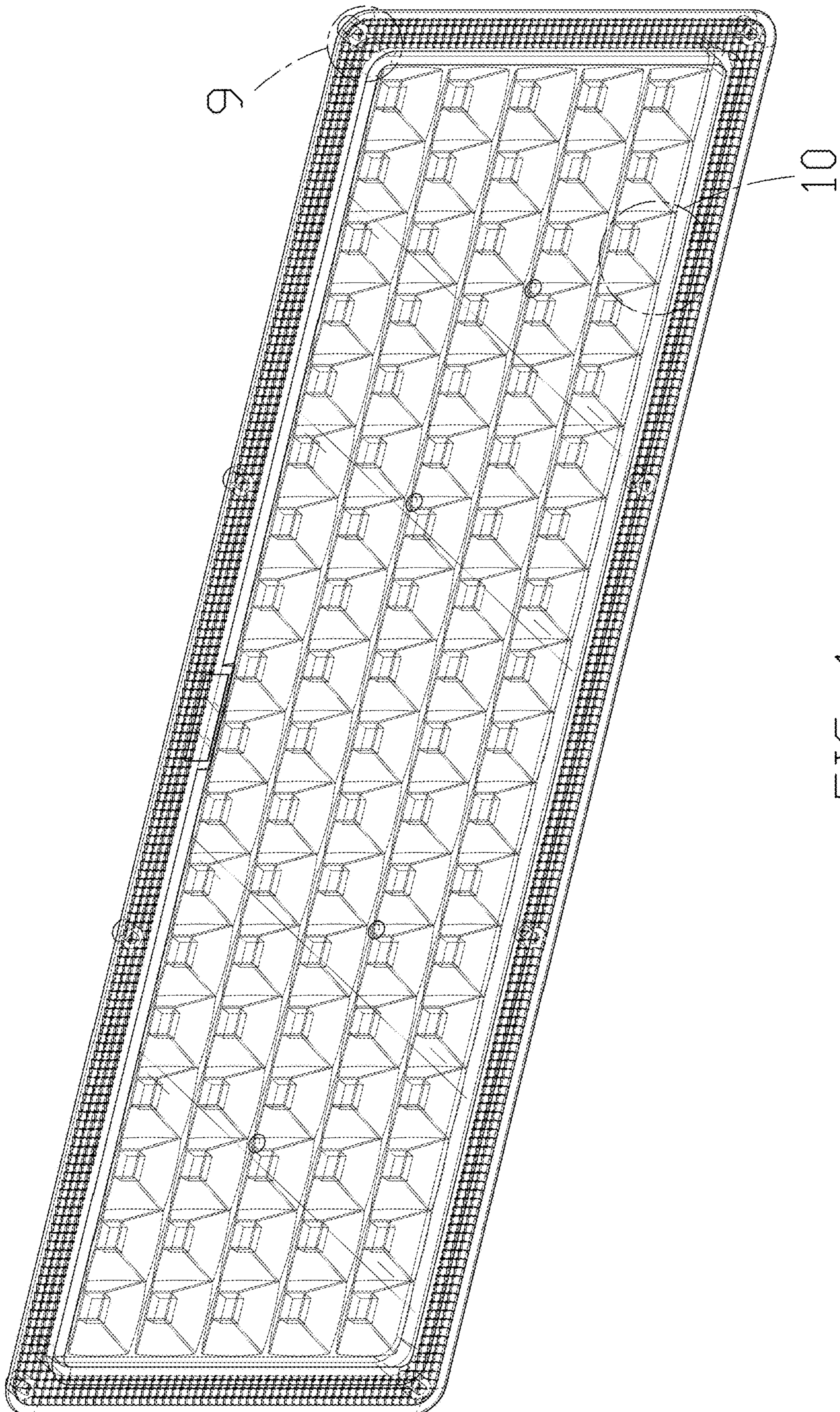


FIG. 1

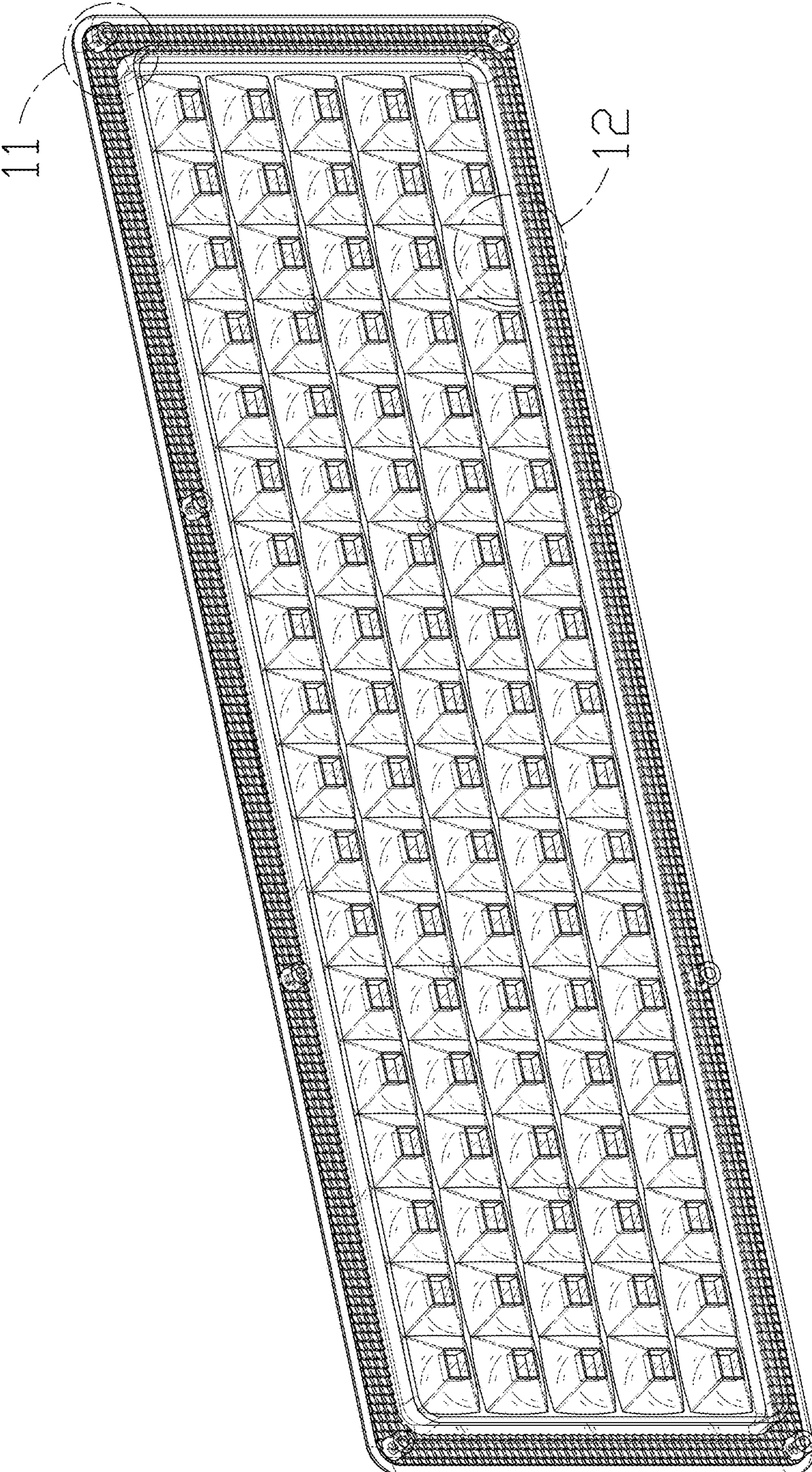


FIG. 2

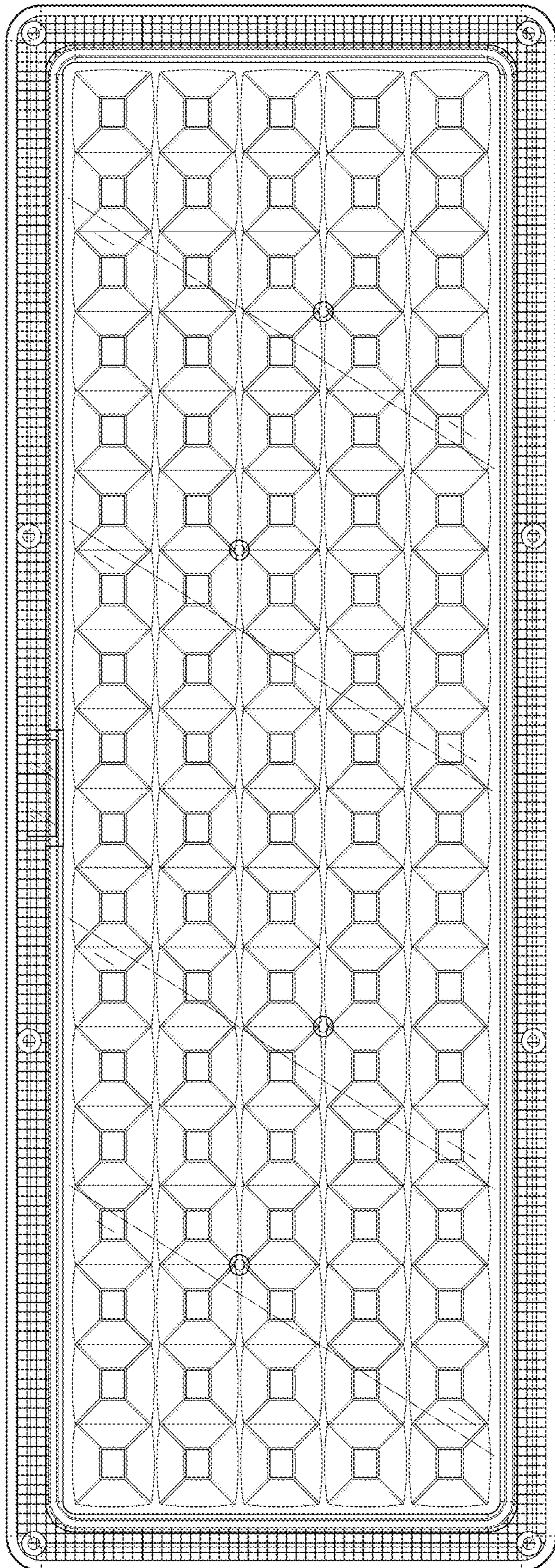


FIG. 3

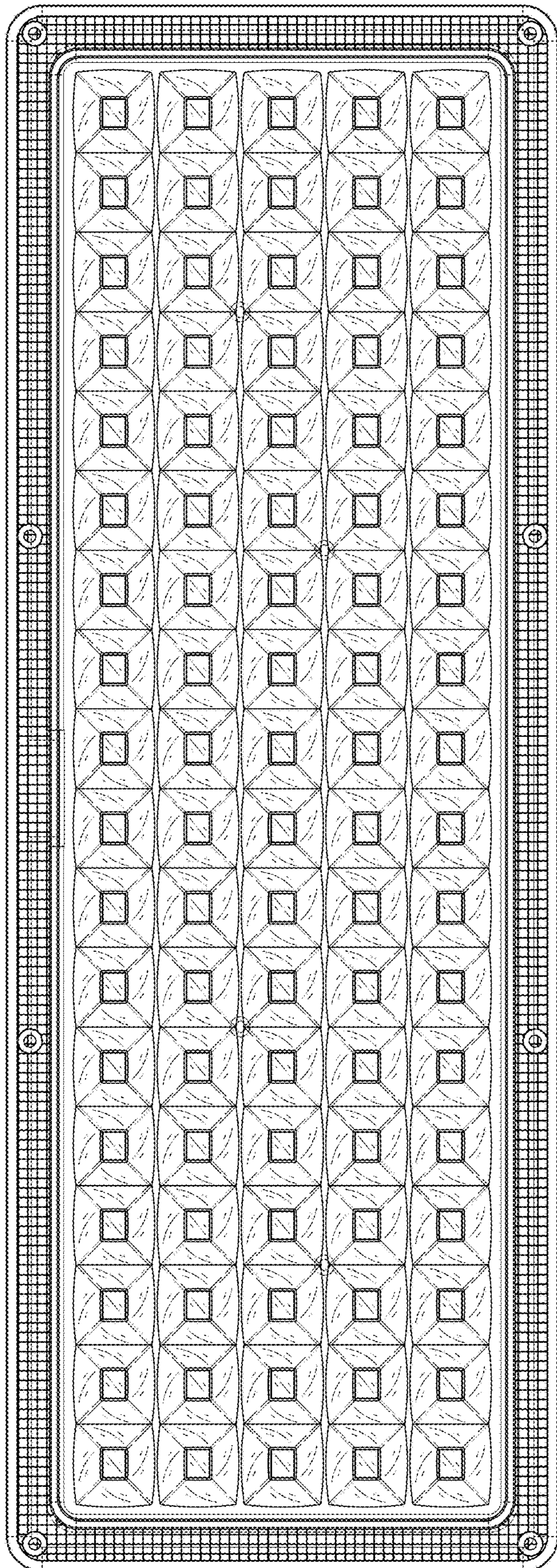


FIG. 4



FIG. 5

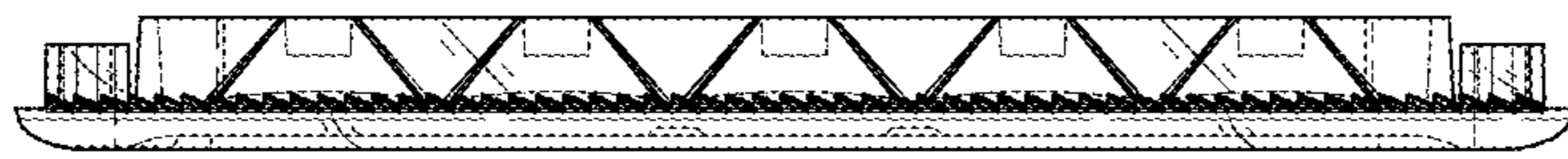


FIG. 6



FIG. 7



FIG. 8

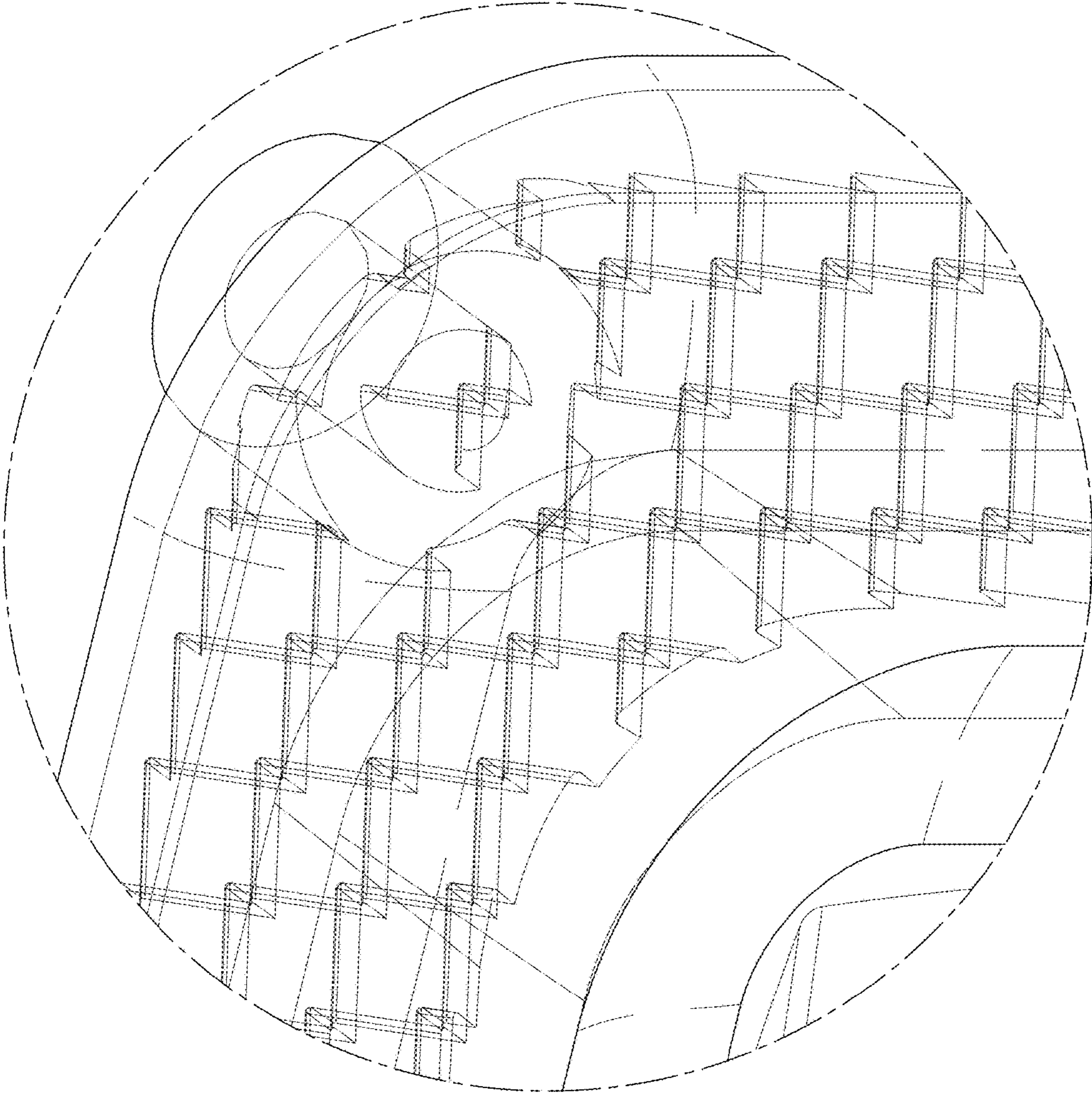


FIG. 9

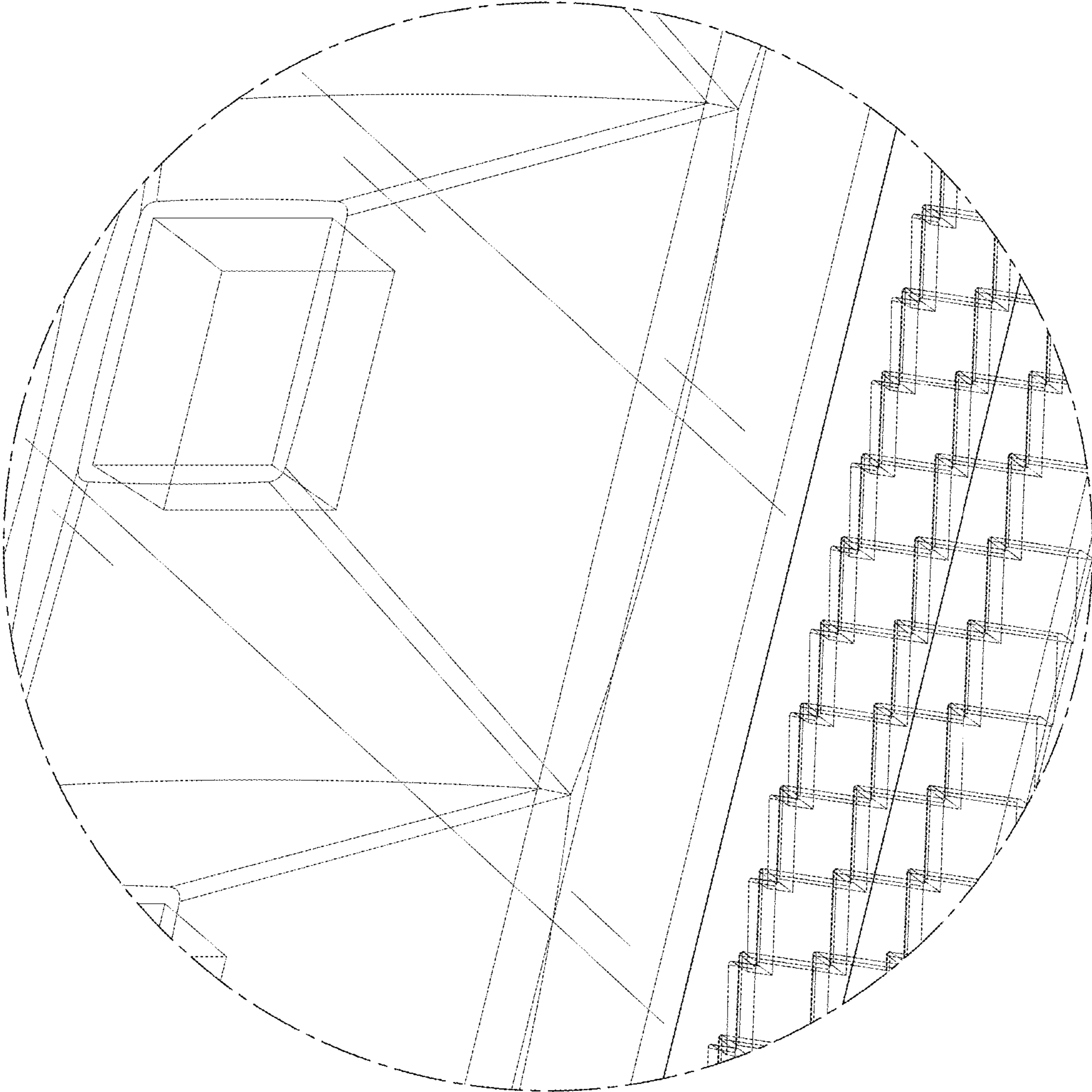


FIG. 10

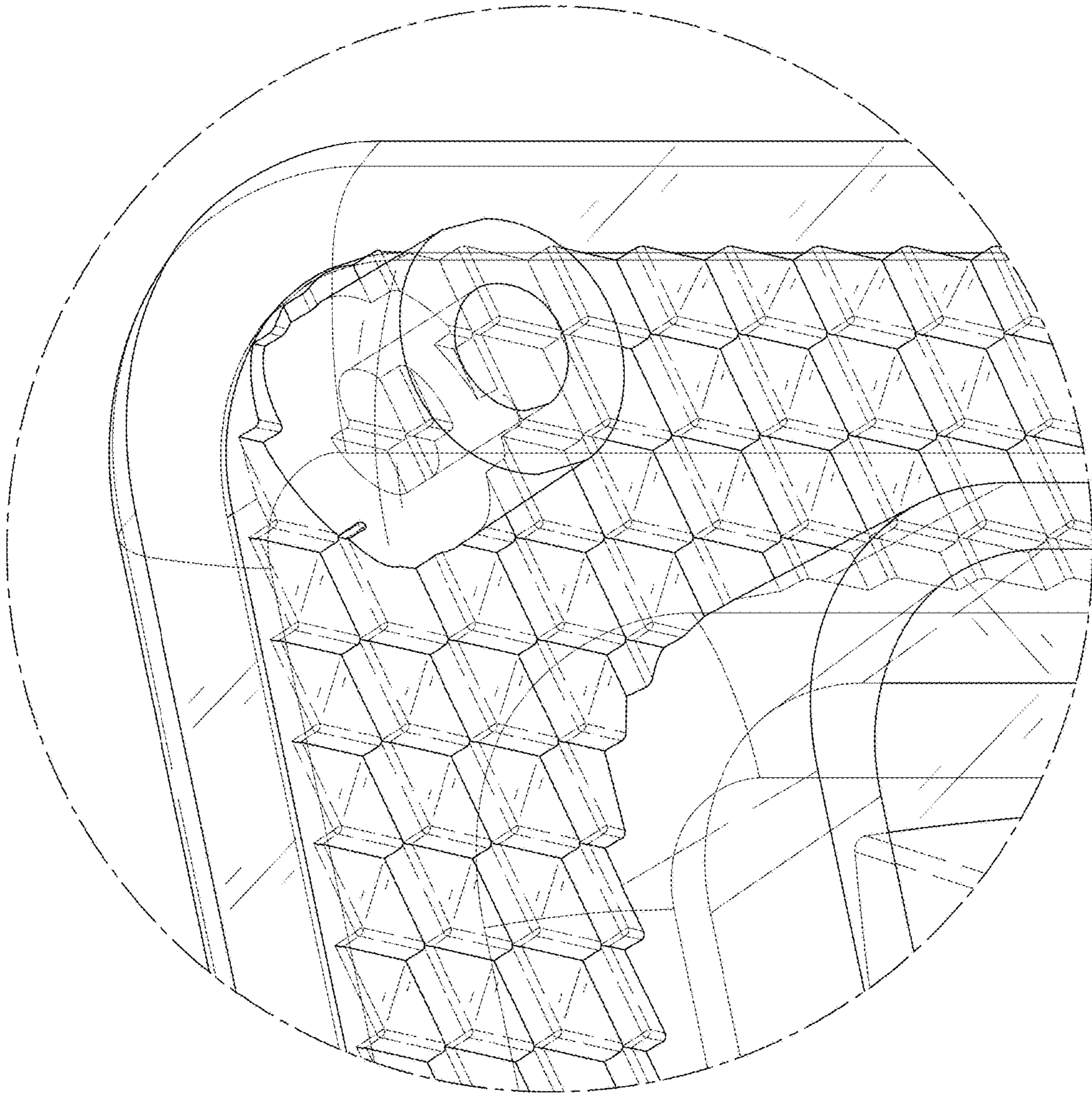


FIG. 11

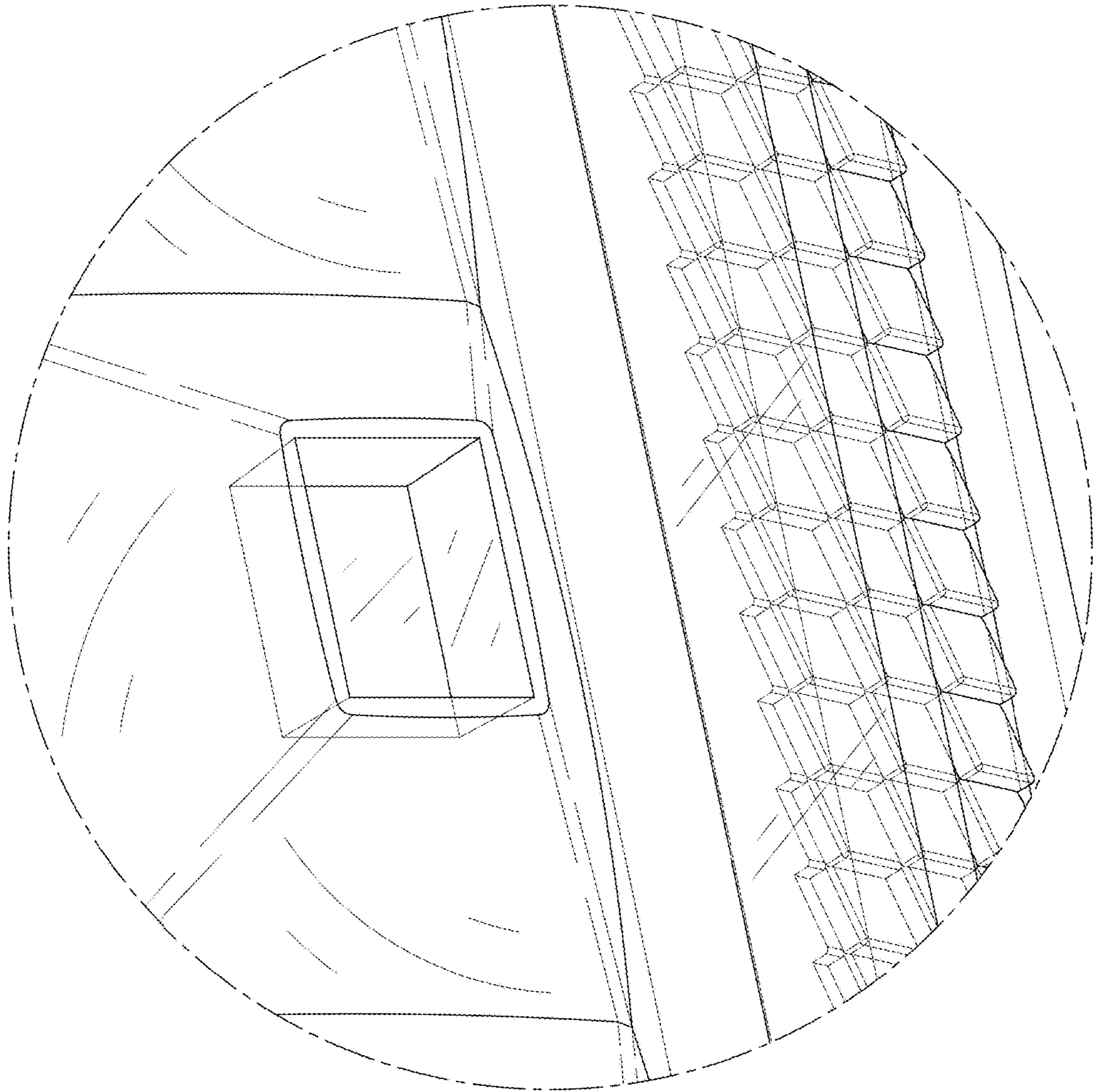


FIG. 12

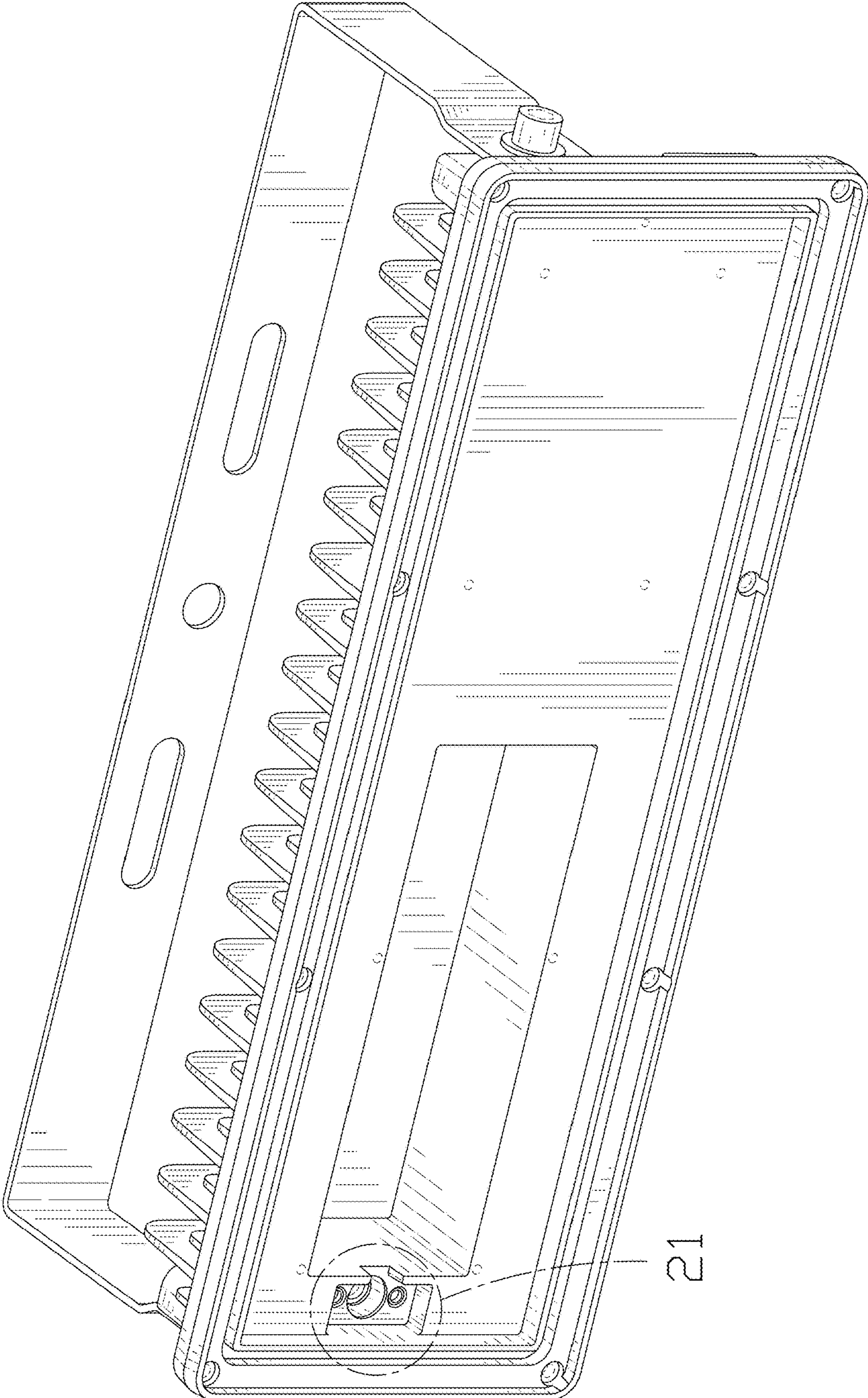


FIG. 13

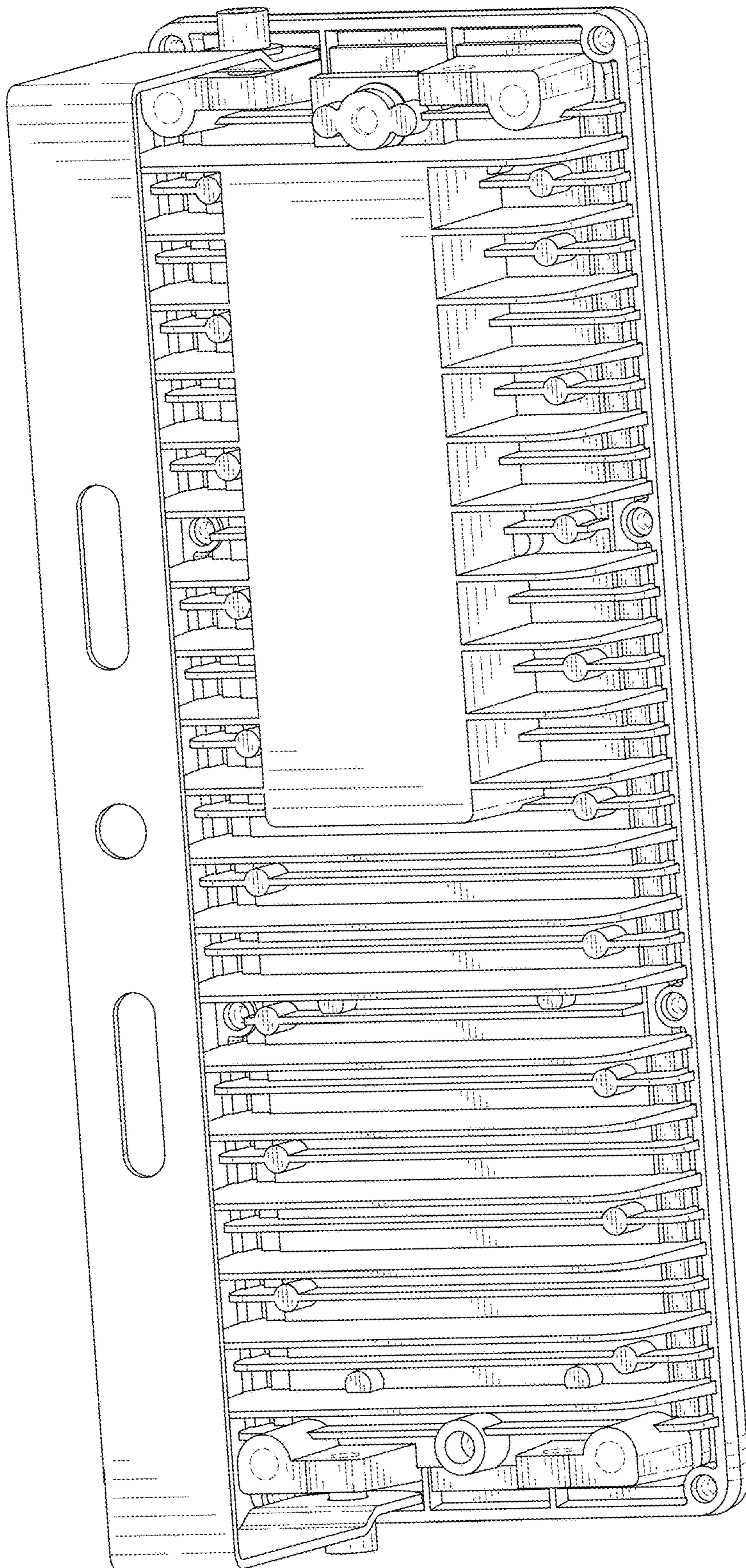


FIG. 14

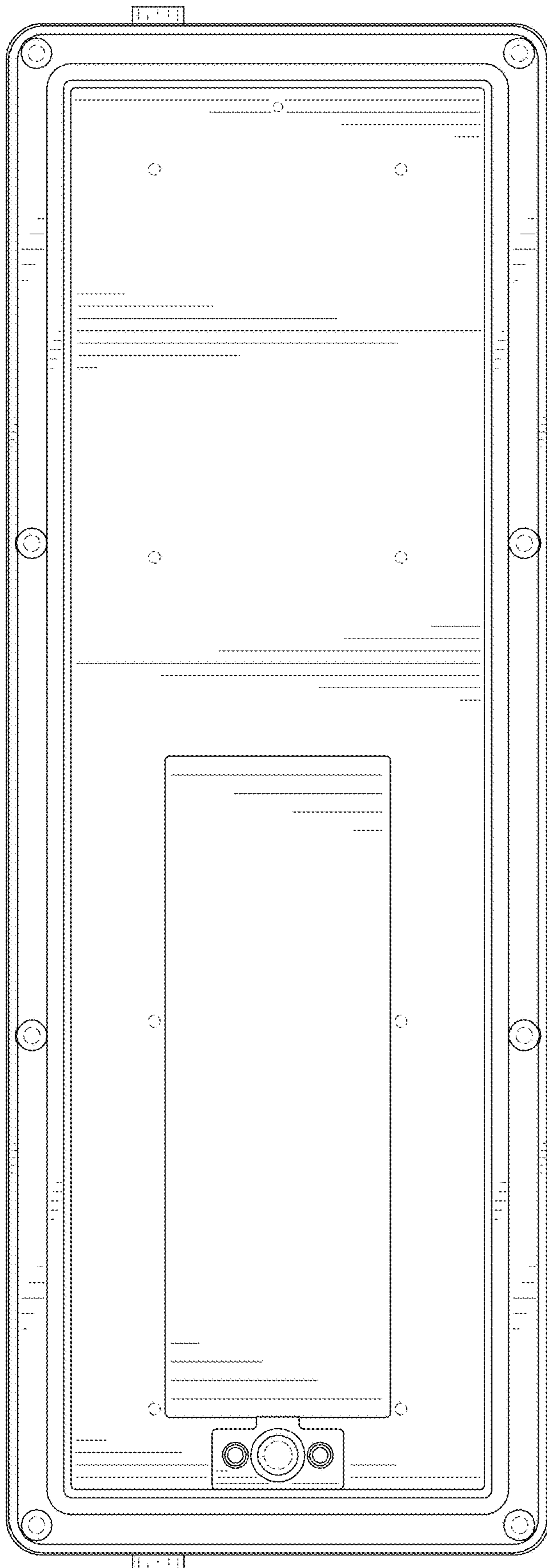


FIG. 15

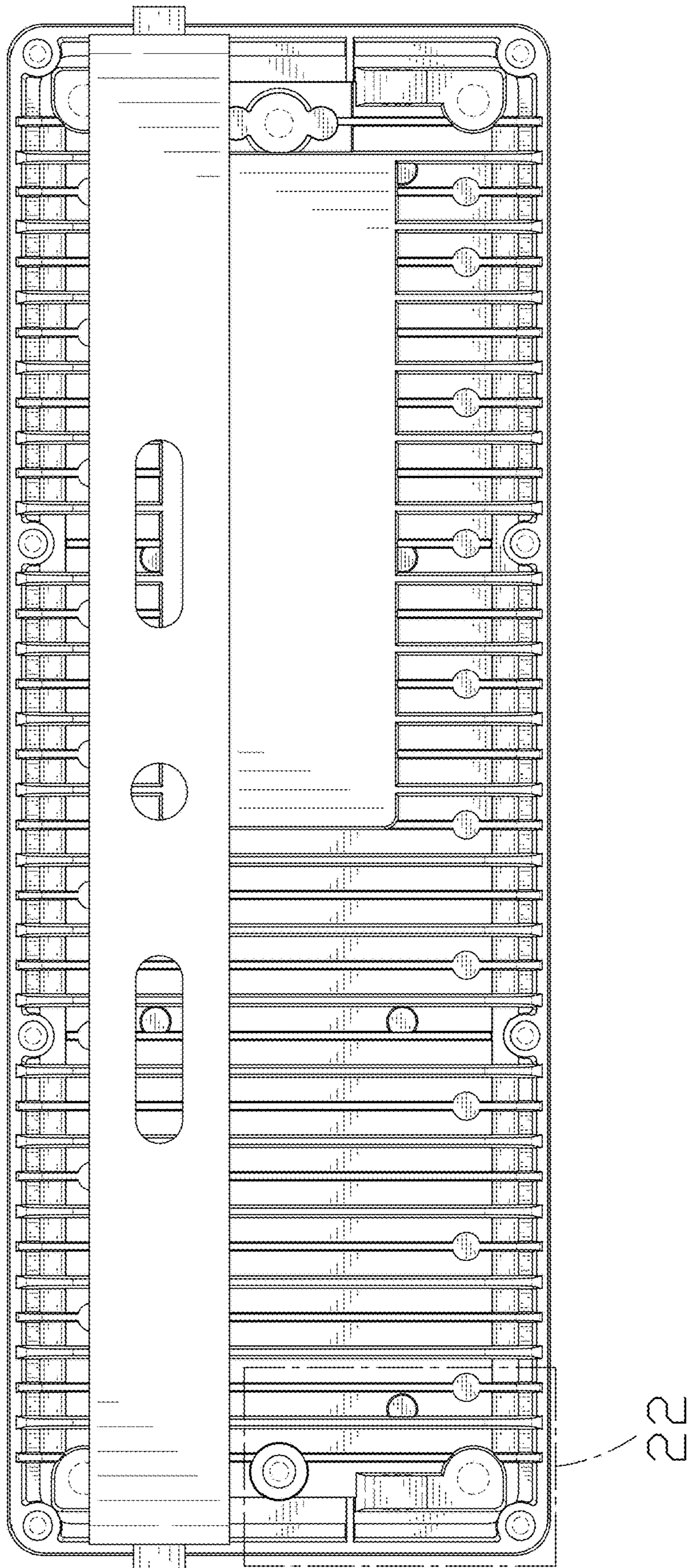


FIG. 16

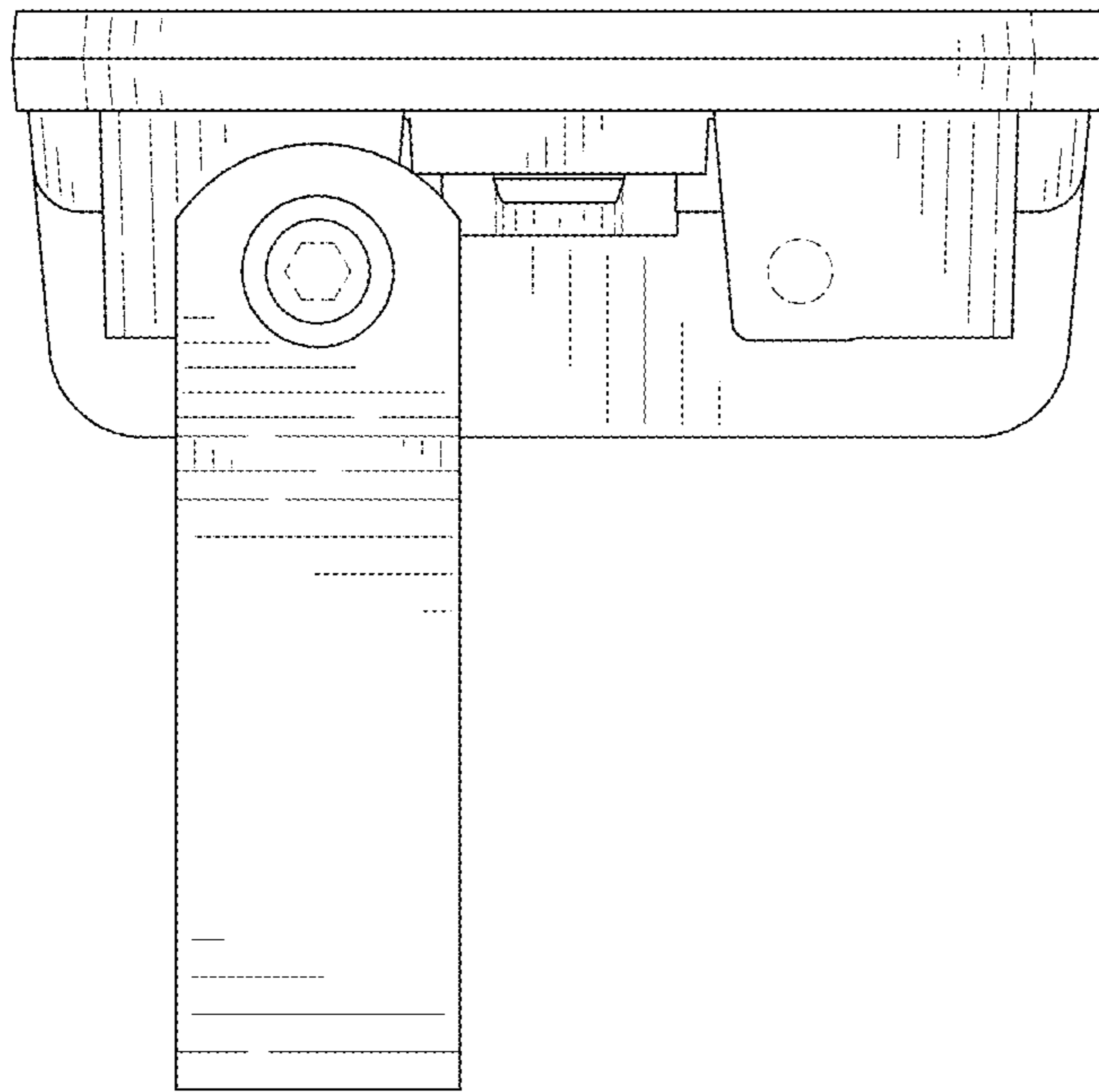


FIG. 17

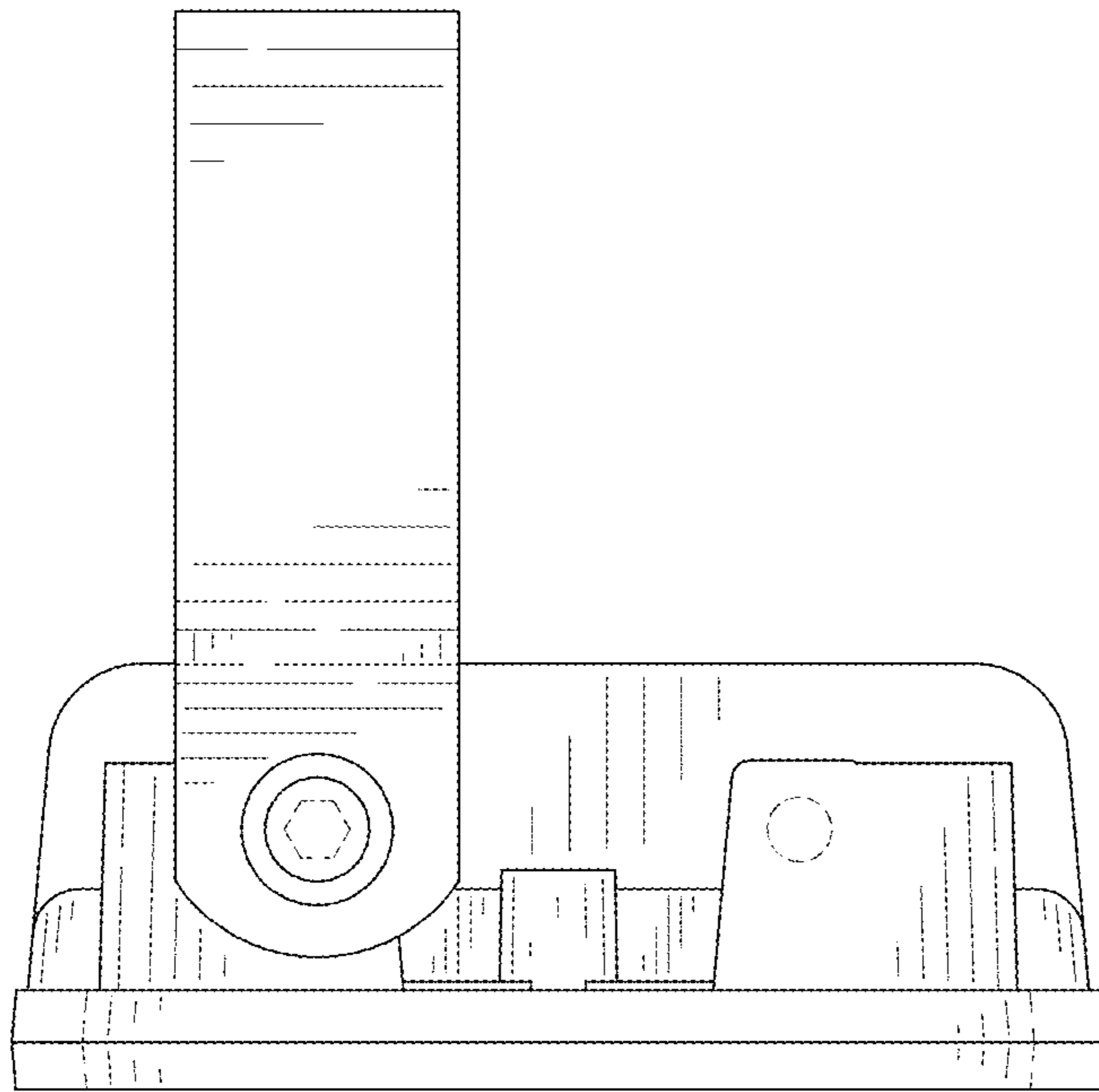


FIG. 18

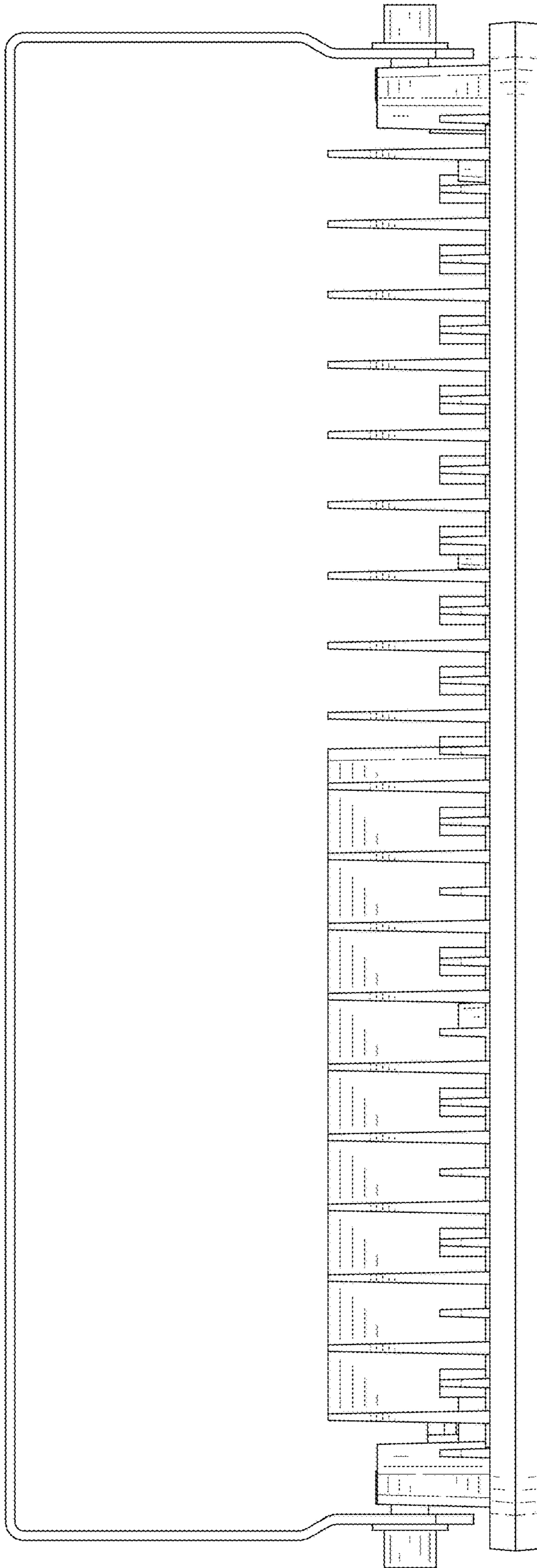


FIG. 19

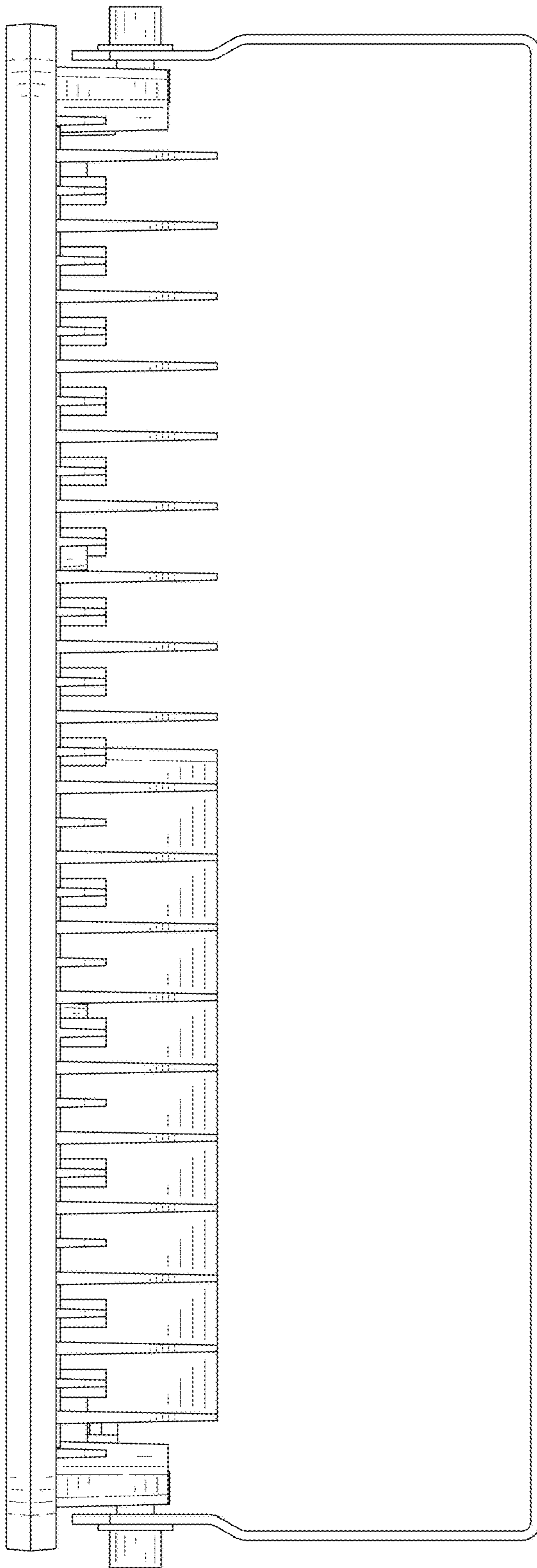


FIG. 20

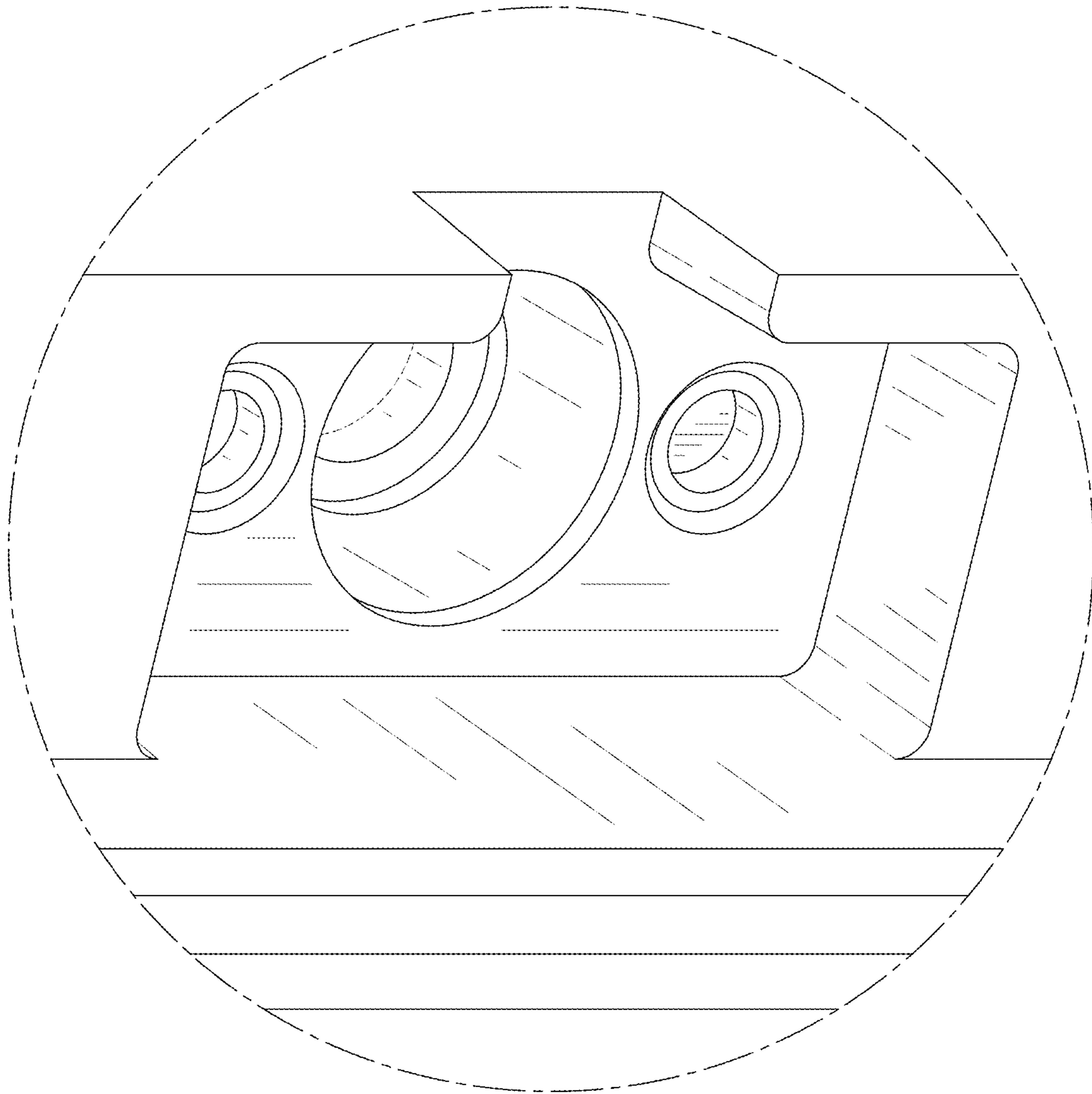


FIG. 21

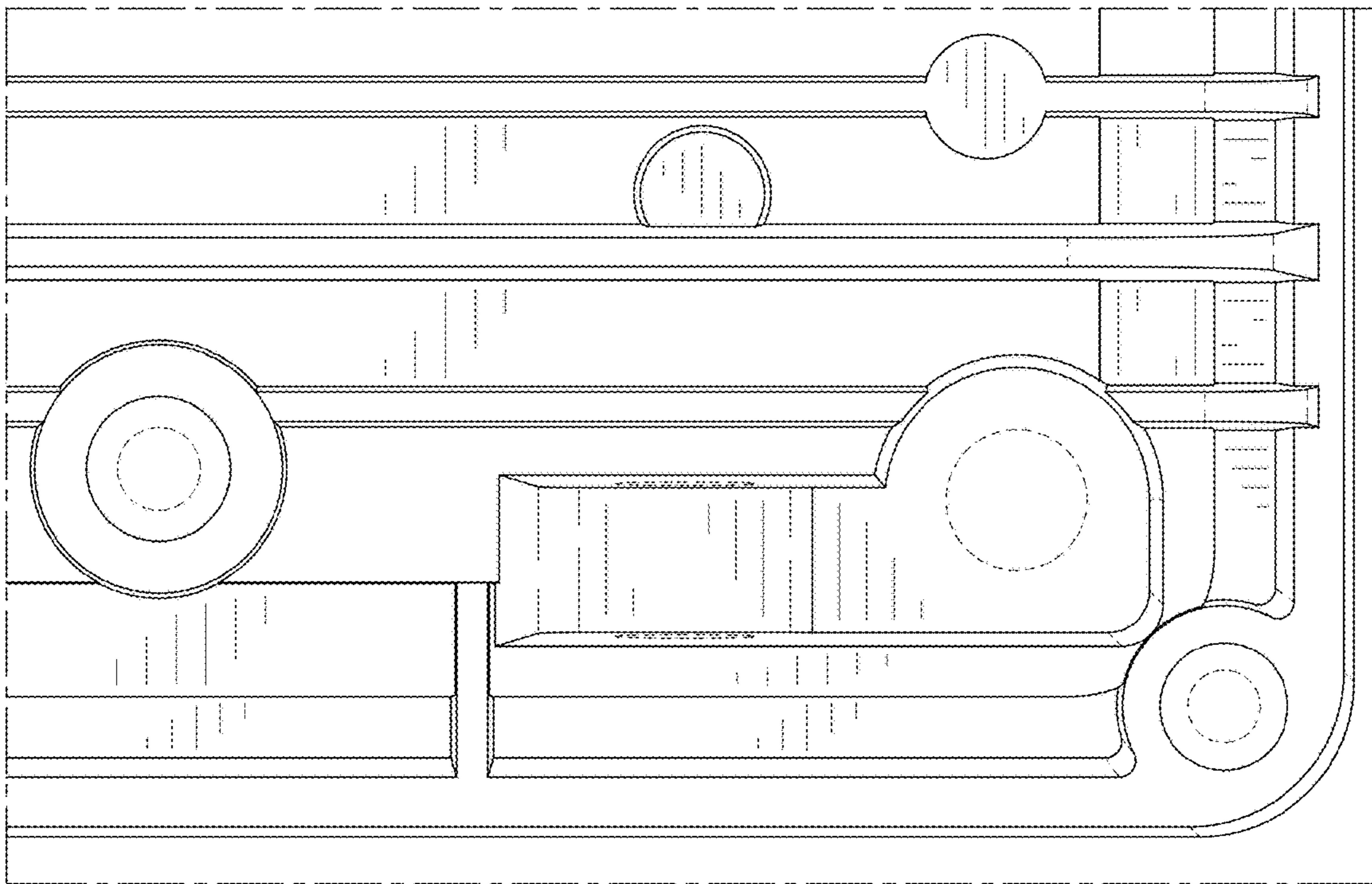


FIG. 22

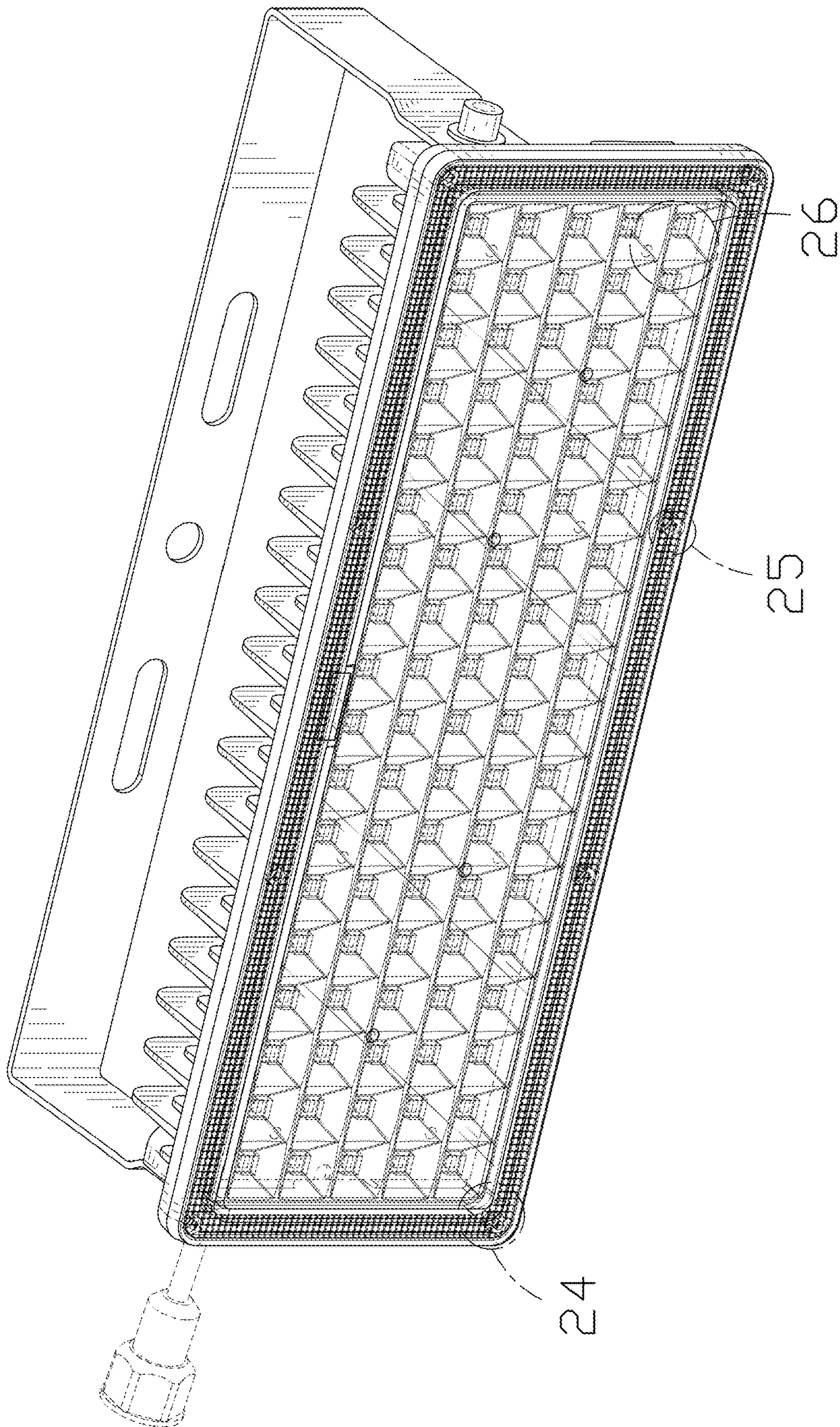


FIG. 23

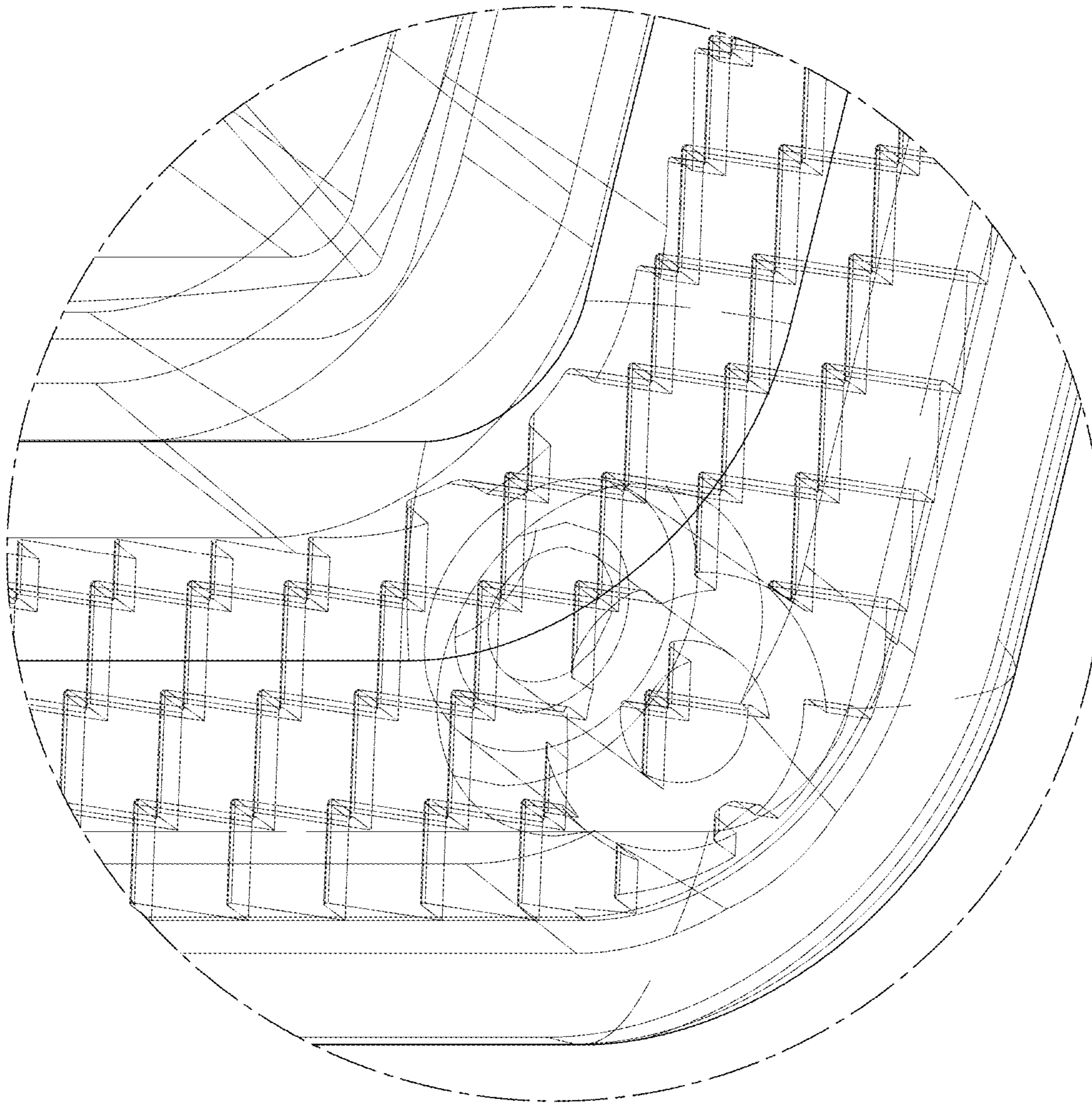


FIG. 24

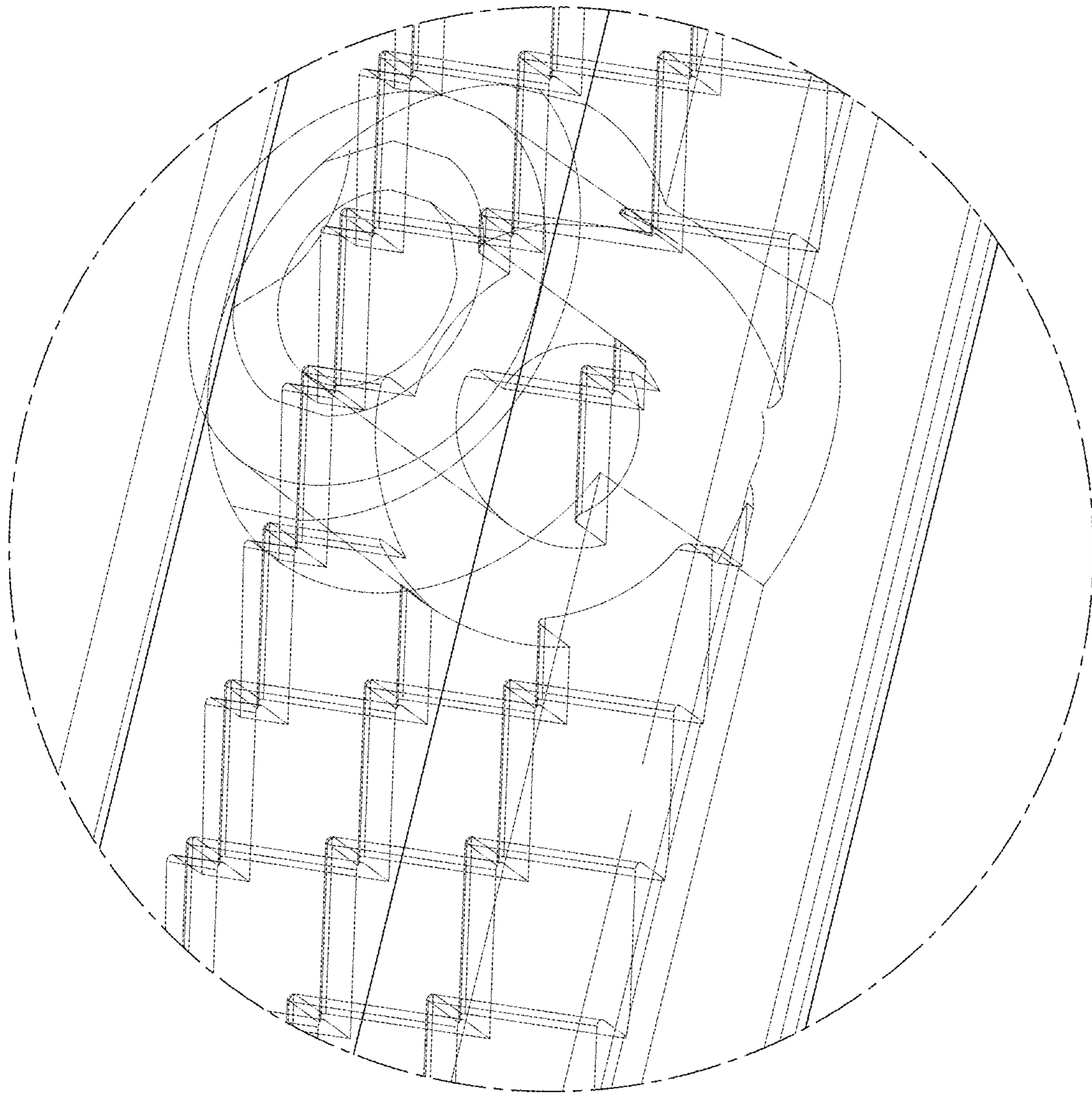


FIG. 25

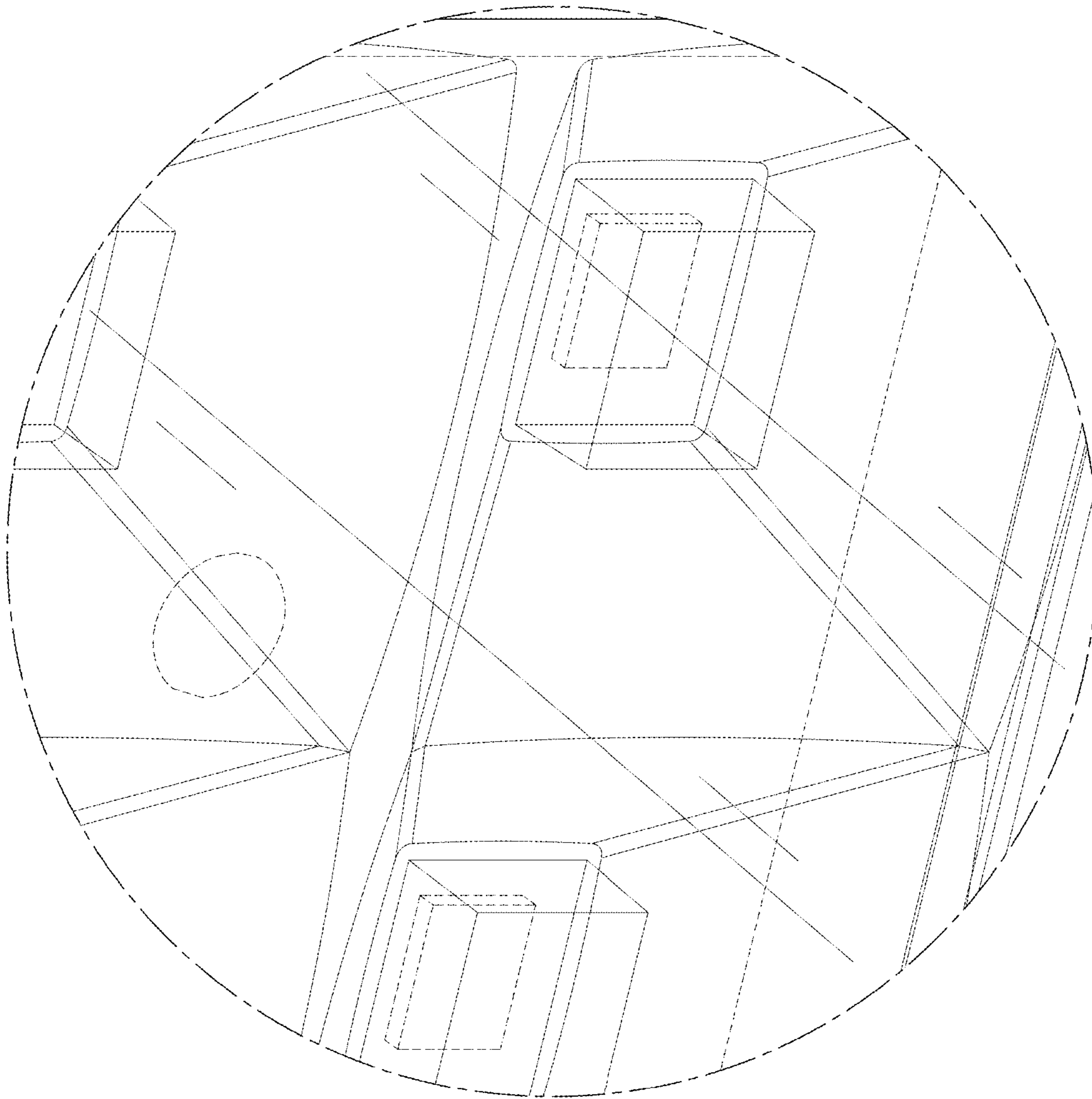


FIG. 26

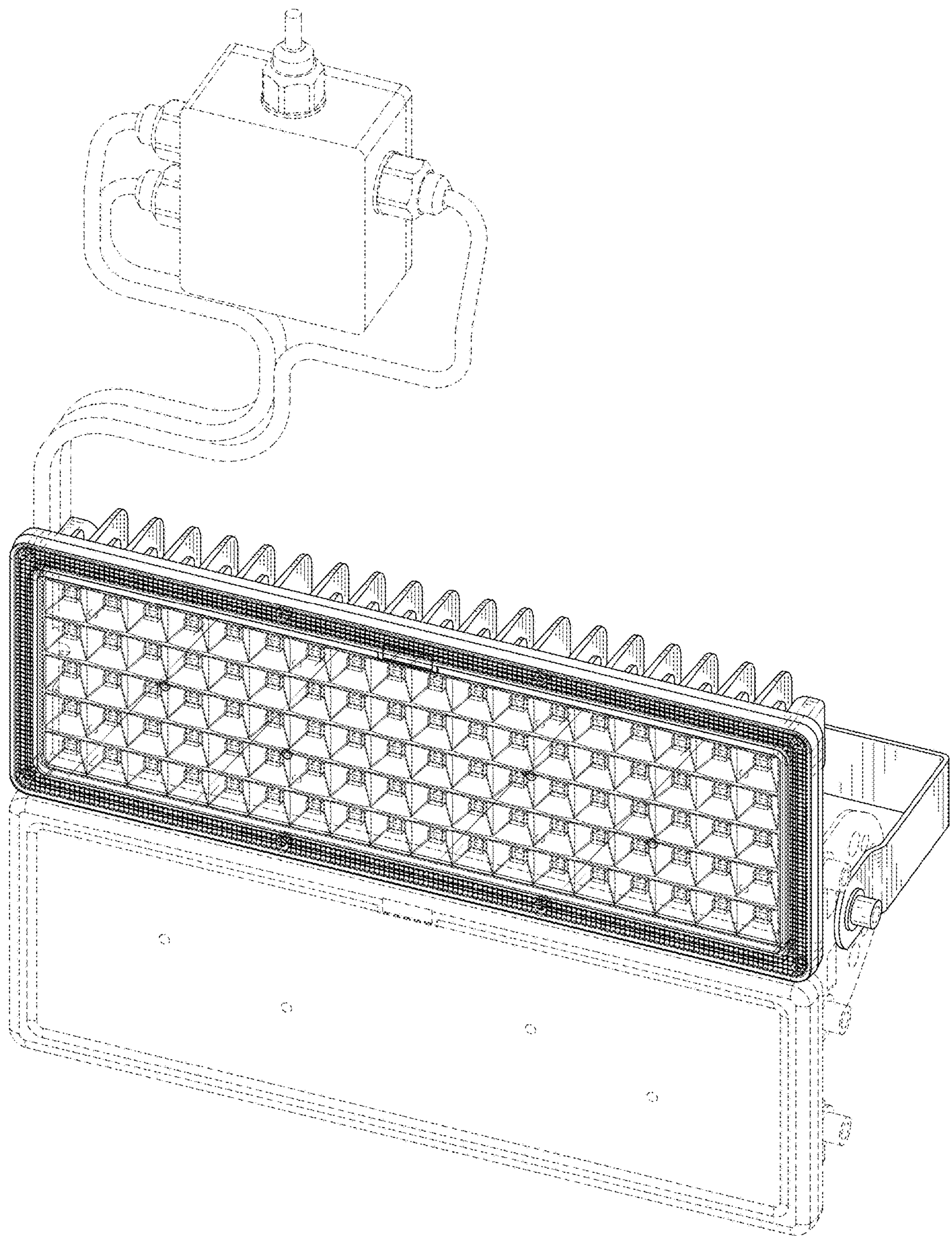


FIG. 27

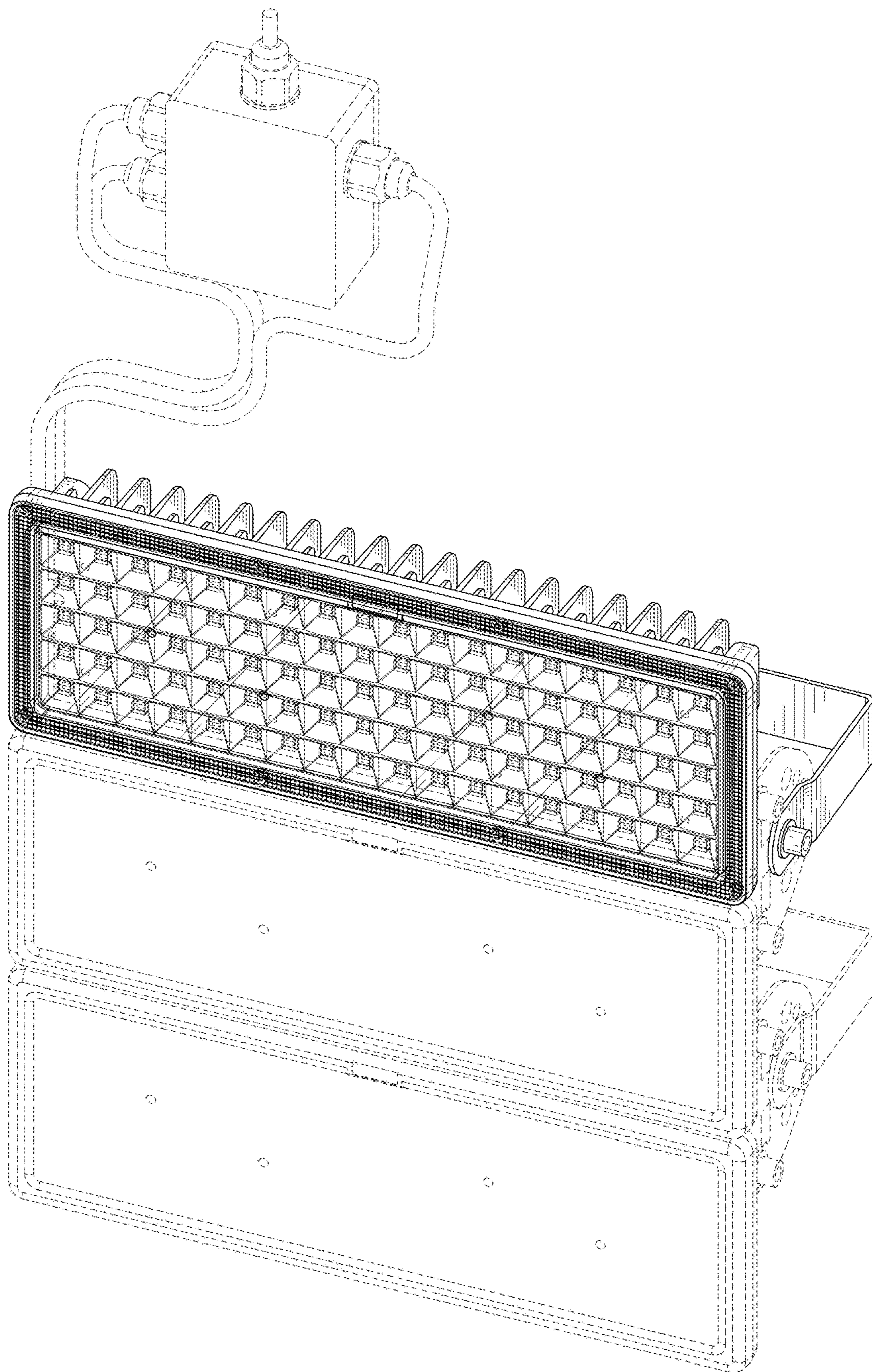


FIG. 28

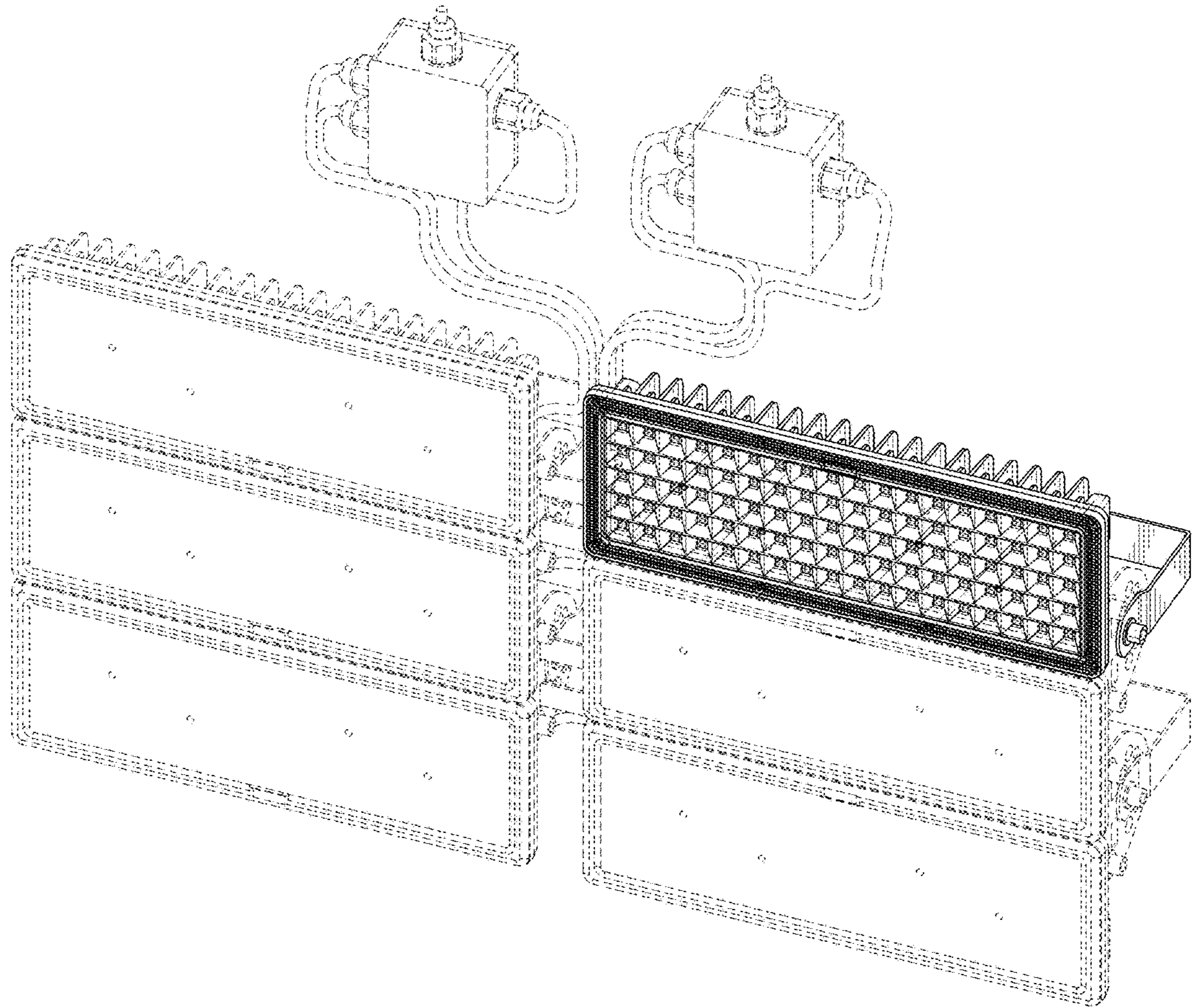


FIG. 29

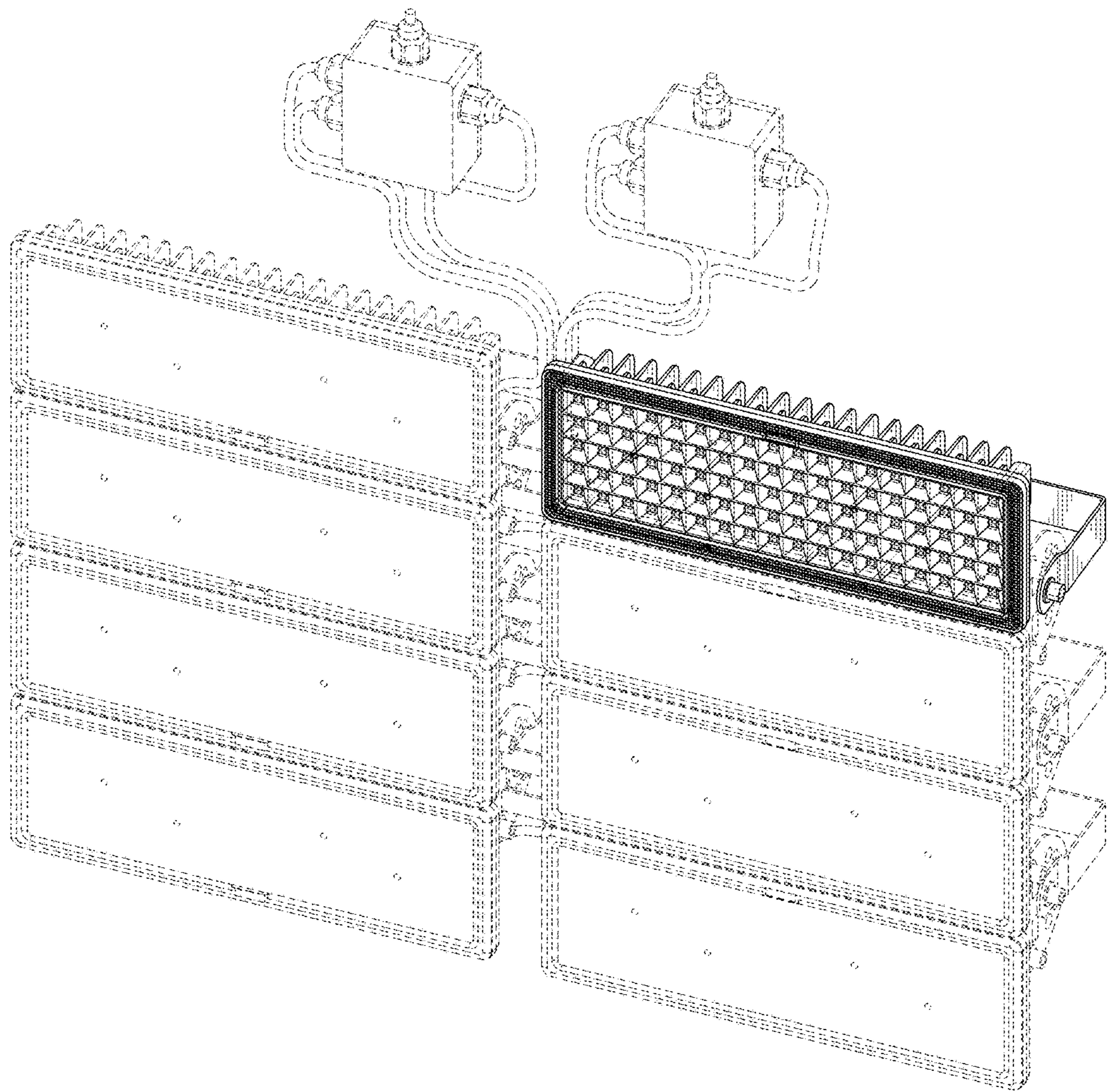


FIG. 30