



US00D968674S

(12) **United States Design Patent** (10) **Patent No.:** **US D968,674 S**
Rindt et al. (45) **Date of Patent:** **** Nov. 1, 2022**

(54) **LIGHT FIXTURE**

(71) Applicant: **Kohler Co.**, Kohler, WI (US)

(72) Inventors: **Nicholas R. Rindt**, Grafton, WI (US);
Brian M. Kaule, Sheboygan, WI (US);
Dennis L. Snyder, Avon Lake, OH (US)

(73) Assignee: **KOHLER CO.**

(**) Term: **15 Years**

(21) Appl. No.: **29/706,622**

(22) Filed: **Sep. 21, 2019**

(51) **LOC (13) Cl.** **26-03**

(52) **U.S. Cl.**
USPC **D26/87**

(58) **Field of Classification Search**
USPC D26/24, 72, 85, 87, 92, 153, 155
CPC F21S 8/03; F21S 8/033; F21S 8/036; F21S
8/037; F21S 9/022; F21S 9/024; F21S
9/03; F21S 9/035; F21S 9/037; F21W
2131/107
See application file for complete search history.

(56) **References Cited**

U.S. PATENT DOCUMENTS

D38,316 S *	11/1906	Duenkel	D26/87
D43,203 S *	10/1912	Phinney	D26/87
D231,679 S *	5/1974	Keller	D26/87
D261,558 S *	10/1981	Palka	D26/87
D261,559 S *	10/1981	Palka	D26/87
5,275,366 A *	1/1994	Simmons	F21S 8/033 362/432
D442,317 S *	5/2001	Crosby	D26/87
D588,296 S *	3/2009	Sabernig	D26/87
8,944,617 B2 *	2/2015	Crookham	F21S 8/033 362/249.02

D889,020 S *	6/2020	Bassant	D26/87
D905,317 S *	12/2020	Czarnocki	D26/93
D923,235 S *	6/2021	Hu	D26/86
2021/0088198 A1 *	3/2021	Kaule	F21S 8/03

OTHER PUBLICATIONS

Incon Lighting White Globe Outdoor LED Wall Sconce, SKU: 38815-9LEDA19-30K available from lightbulbsurplus.com as early as Apr. 3, 2021. (Year: 2021).*

(Continued)

Primary Examiner — Clare E Heflin

(74) *Attorney, Agent, or Firm* — The Belles Group, P.C.

(57) **CLAIM**

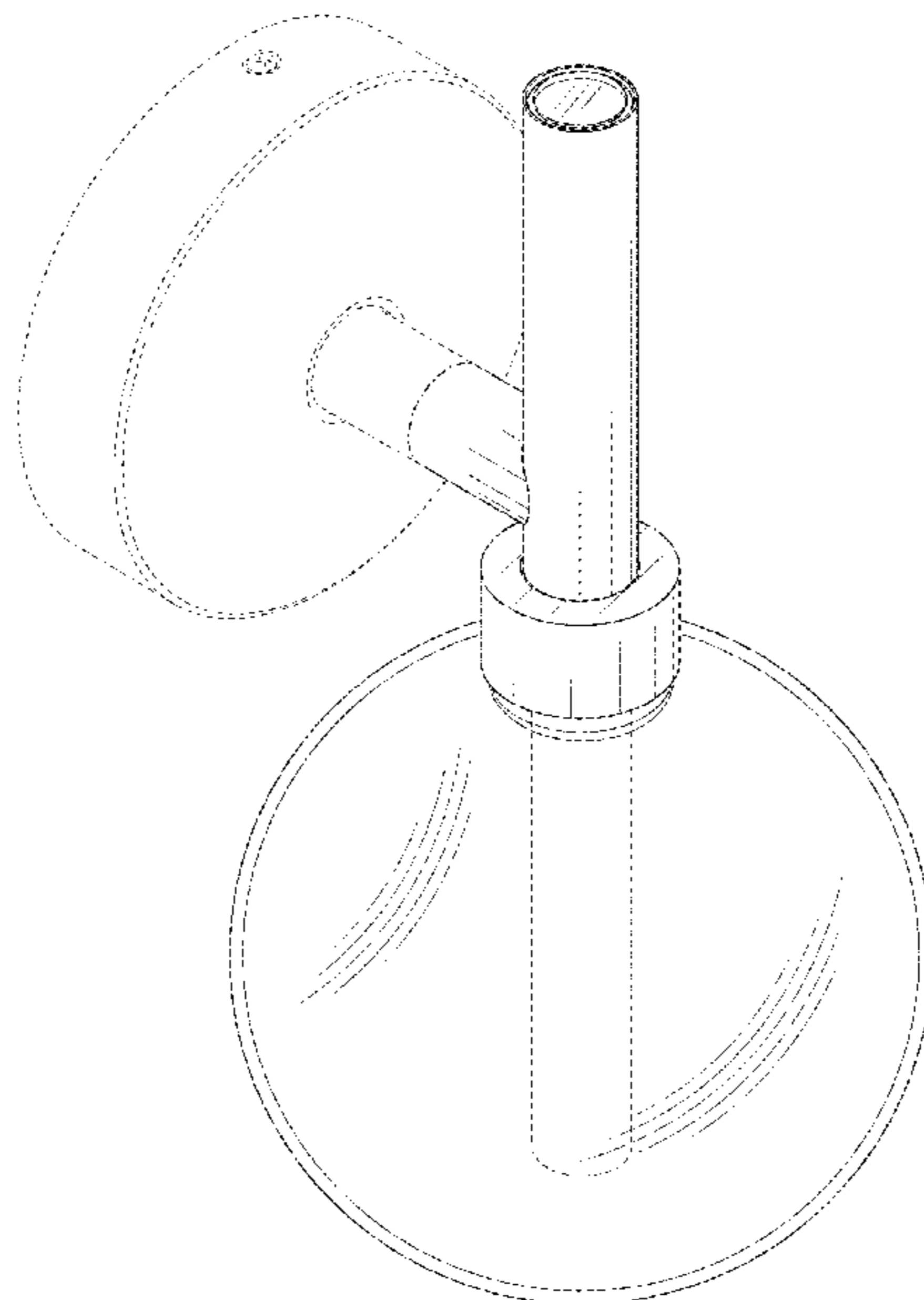
We claim the ornamental design for a light fixture, as shown and described.

DESCRIPTION

FIG. 1 is a perspective view of the claimed design;
FIG. 2 is a front view of the claimed design shown in FIG. 1;
FIG. 3 is a rear view of the claimed design shown in FIG. 1;
FIG. 4 is a side view of the claimed design shown in FIG. 1;
FIG. 5 is another side view of the claimed design shown in FIG. 1;
FIG. 6 is a top view of the claimed design shown in FIG. 1; and,
FIG. 7 is a bottom view of the claimed design shown in FIG. 1.

The broken lines formed by equal length dashes represent unclaimed portions of the design. Broken lines formed of unequal length dashes (i.e., dash-dot) represent the boundary between claimed and unclaimed portions of the design. None of the broken lines in the drawings form part of the claimed design.

1 Claim, 7 Drawing Sheets



(56)

References Cited

OTHER PUBLICATIONS

Oliver 1 Light IP44 Wall Bracket available from beaconlighting.com.au. Installation instructions dated Apr. 2019. (Year: 2019).*

UMhouse White Glass Globe Wall Sconce ASIN: B09WH6L1HB. Available from amazon.com Mar. 23, 2022. (Year: 2022).*

Golden Hour wall sconce from seedinterior.com, visited Jun. 28, 2022. (Year: 2022).*

* cited by examiner

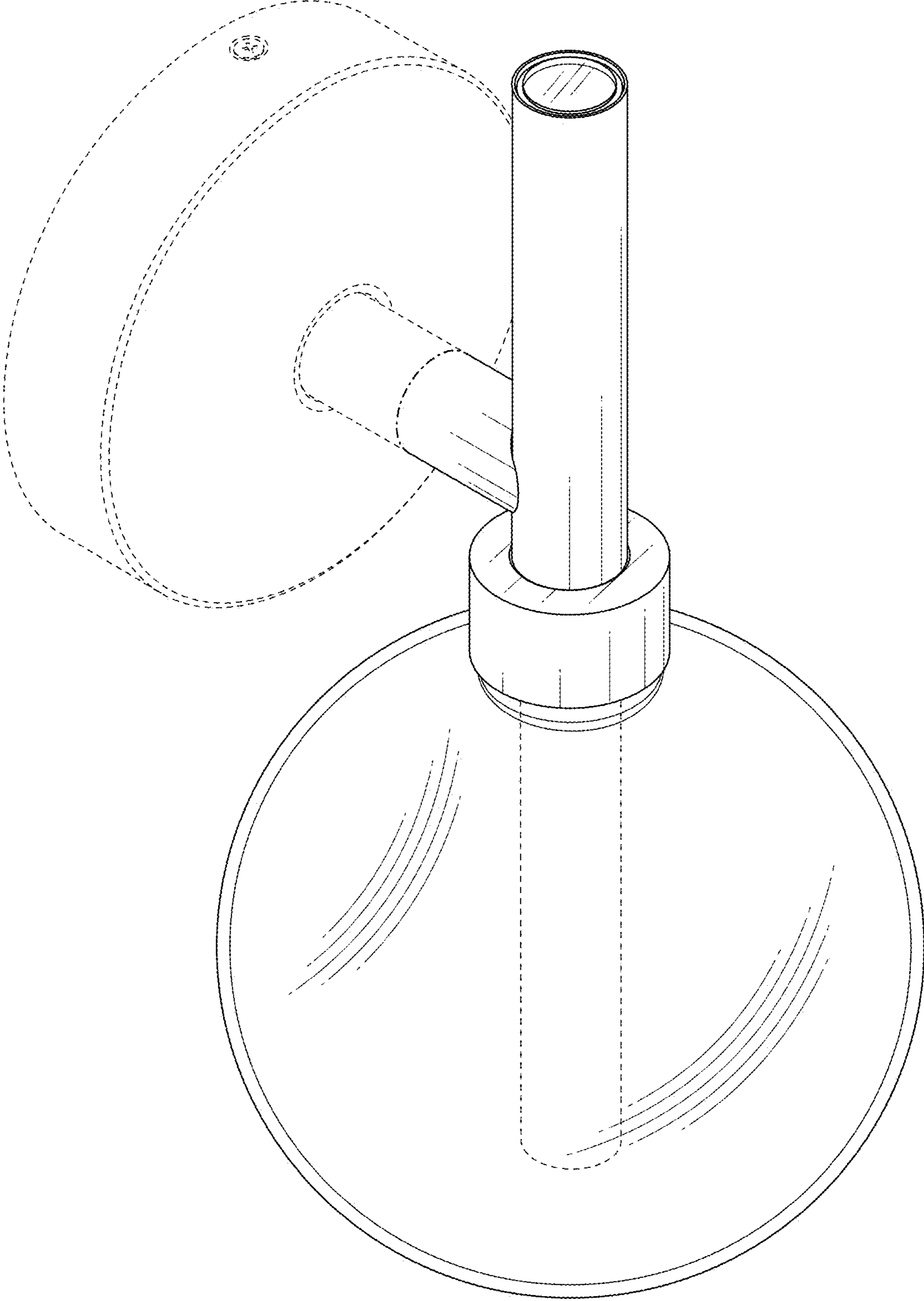


FIG. 1

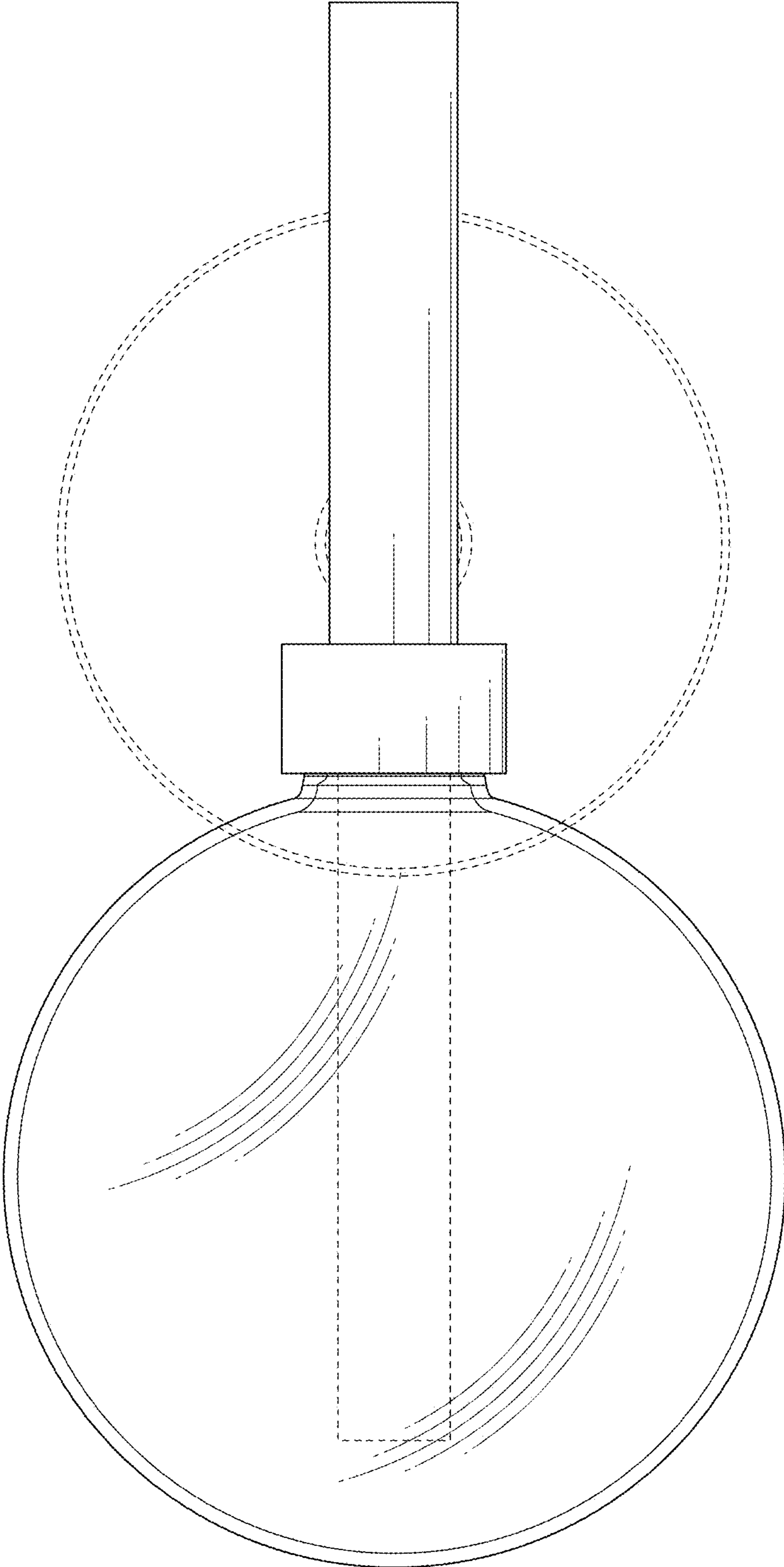


FIG. 2

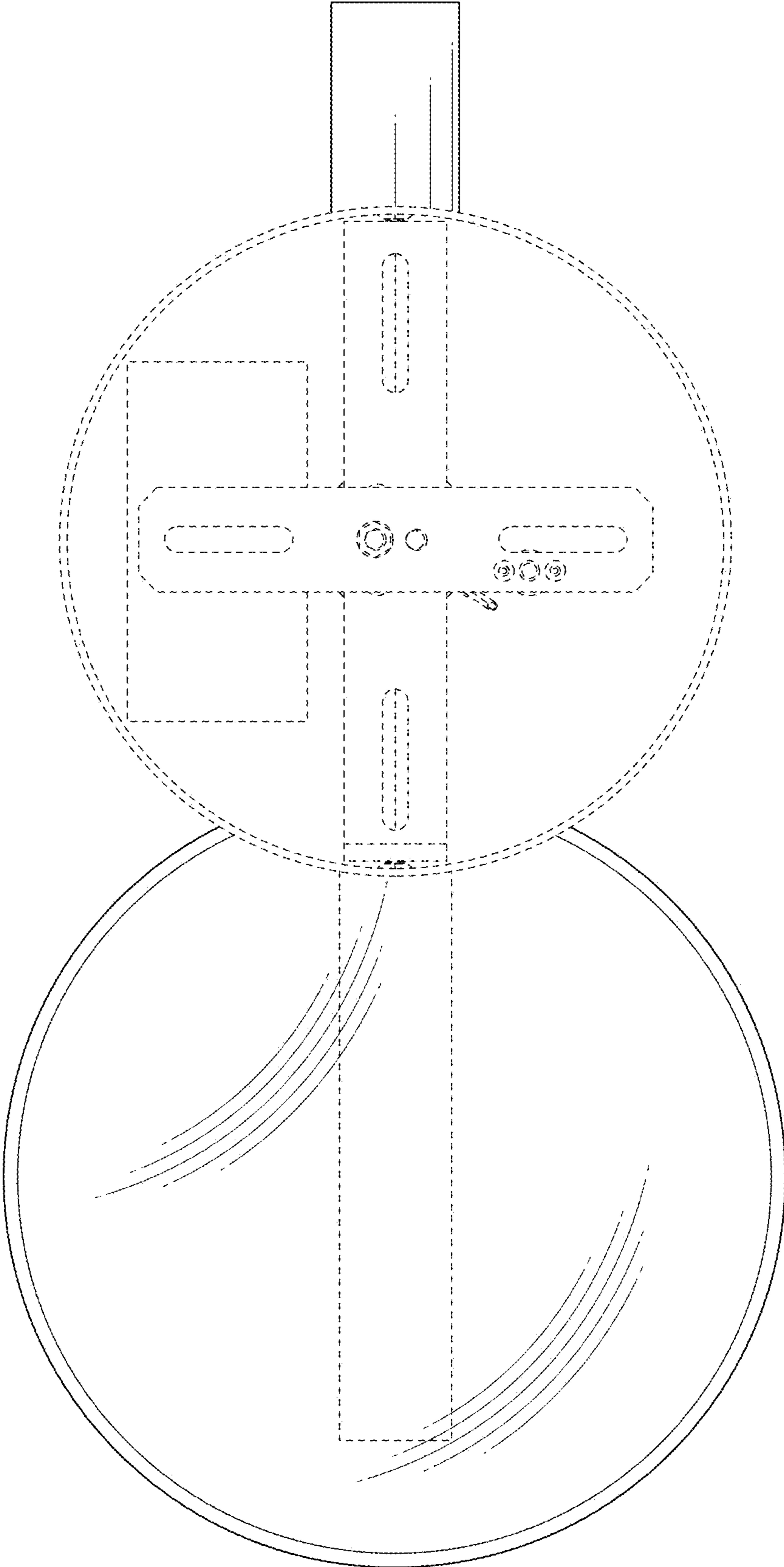


FIG. 3

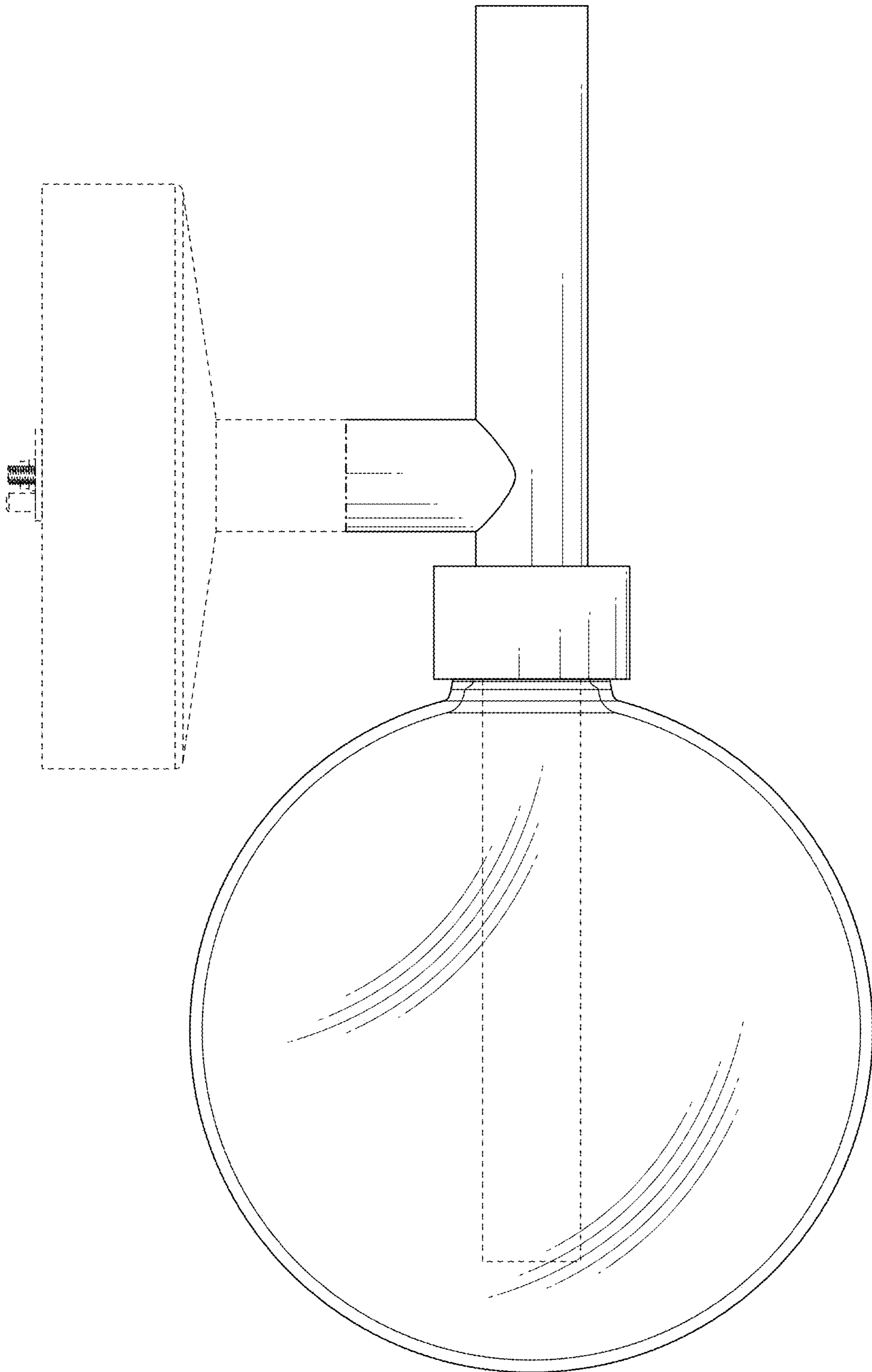


FIG. 4

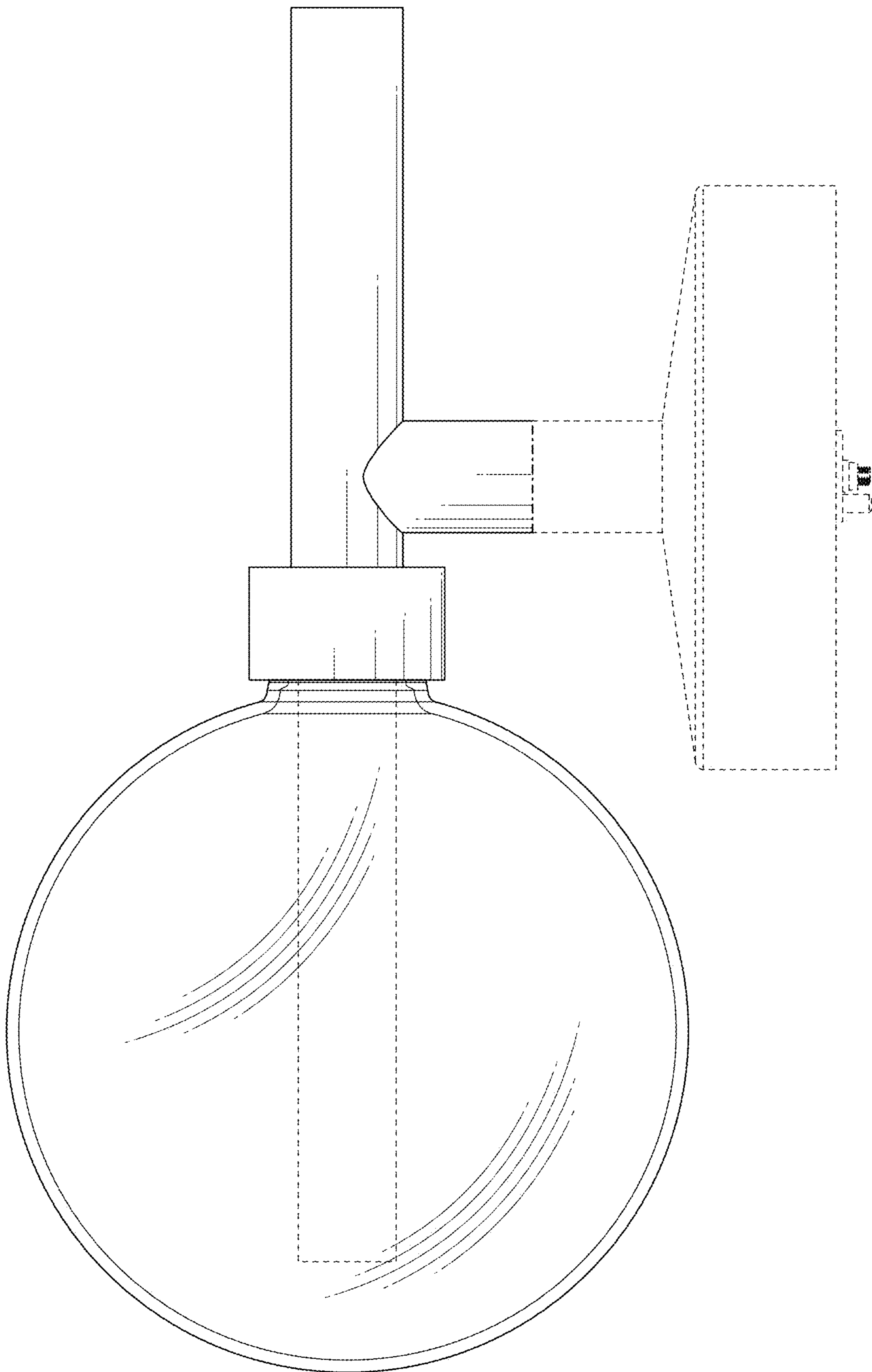


FIG. 5

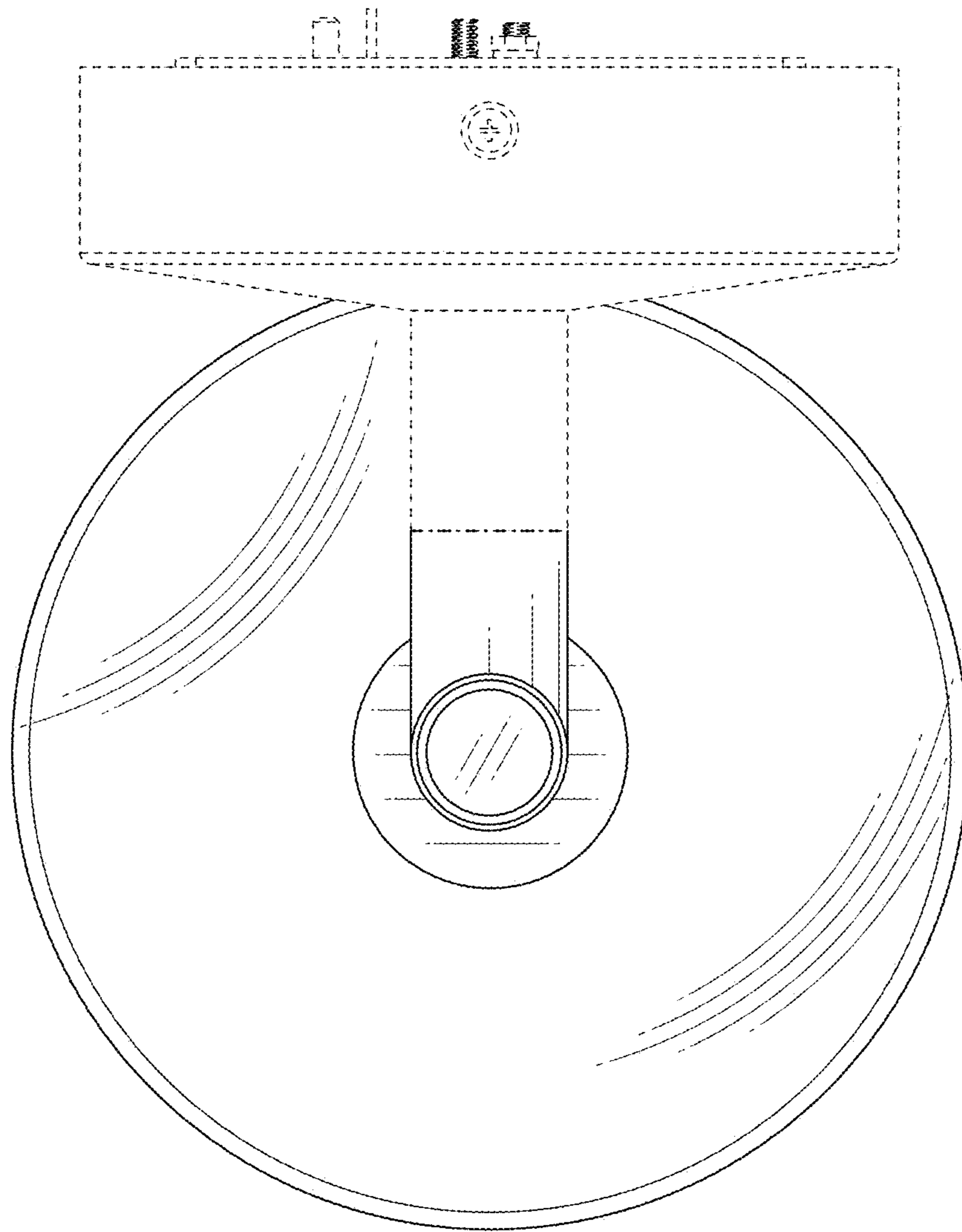


FIG. 6

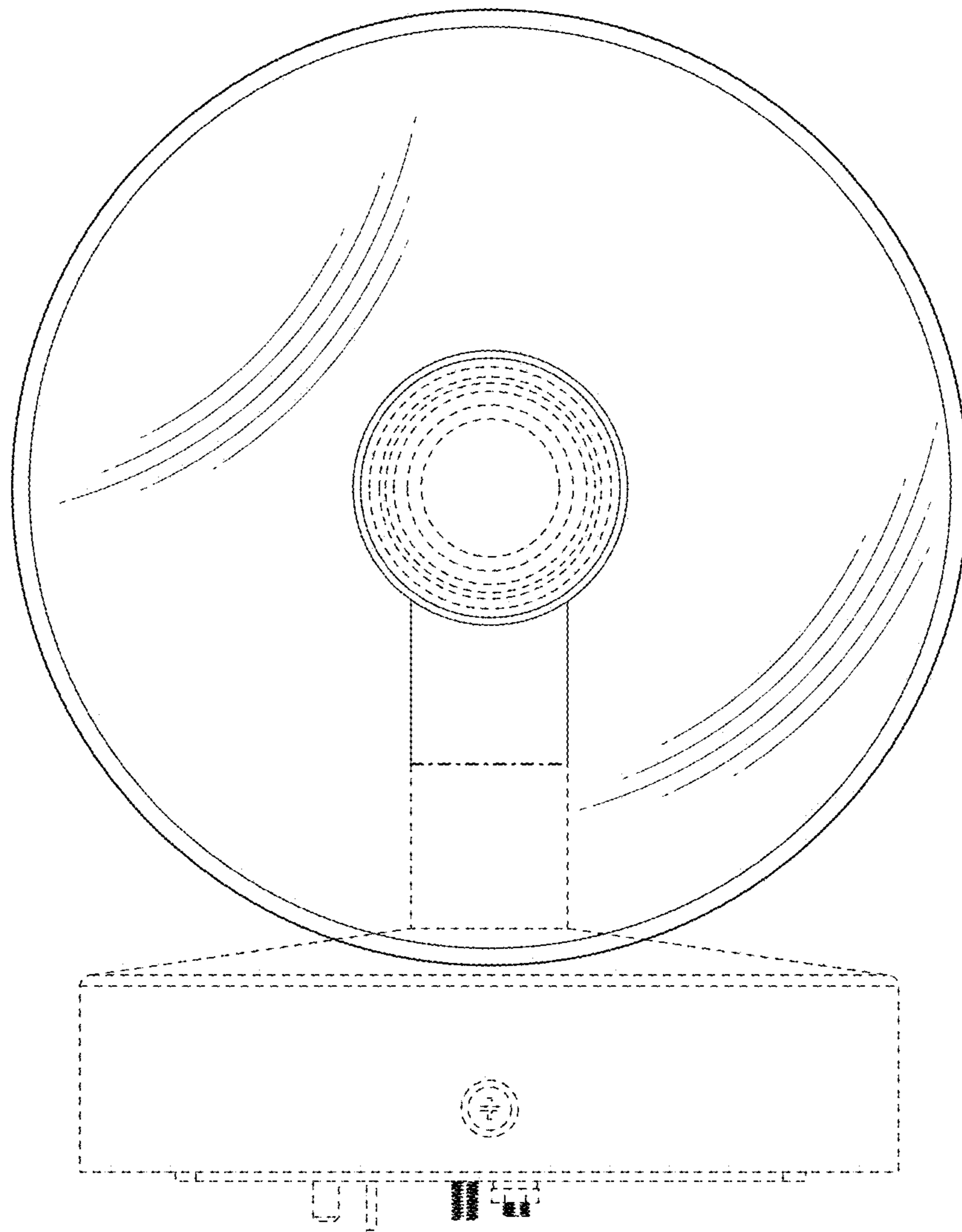


FIG. 7