



US00D968673S

(12) **United States Design Patent** (10) **Patent No.:** **US D968,673 S**  
**Rindt et al.** (45) **Date of Patent:** **\*\* Nov. 1, 2022**

(54) **LIGHT FIXTURE**  
(71) Applicant: **Kohler Co.**, Kohler, WI (US)  
(72) Inventors: **Nicholas R. Rindt**, Grafton, WI (US);  
**Brian M. Kaule**, Sheboygan, WI (US);  
**Dennis L. Snyder**, Avon Lake, OH  
(US)

D465,298 S \* 11/2002 Gottwald ..... D26/85  
D465,597 S \* 11/2002 Hsu ..... D26/92  
D465,878 S \* 11/2002 Hsu ..... D26/153  
D487,815 S \* 3/2004 Hoernig ..... D26/92  
D556,360 S \* 11/2007 Yando ..... D26/92  
D558,911 S \* 1/2008 Bickler ..... D26/87  
D588,296 S \* 3/2009 Sabernig ..... D26/87  
D678,591 S \* 3/2013 Sage ..... D26/87

(Continued)

(73) Assignee: **KOHLER CO.**

(\*\*) Term: **15 Years**

(21) Appl. No.: **29/706,621**

(22) Filed: **Sep. 21, 2019**

(51) **LOC (13) Cl.** ..... **26-03**

(52) **U.S. Cl.**  
USPC ..... **D26/87; D26/153**

(58) **Field of Classification Search**  
USPC ..... D26/87, 20, 22, 24, 72, 85, 92, 153, 155  
CPC .... F21S 8/03; F21S 8/033; F21S 8/036; F21S  
8/037; F21S 9/022; F21S 9/024; F21S  
9/03; F21S 9/035; F21S 9/037; F21W  
2131/107

See application file for complete search history.

(56) **References Cited**

**U.S. PATENT DOCUMENTS**

D38,316 S \* 11/1906 Duenkel ..... D26/87  
D43,203 S \* 10/1912 Phinney ..... D26/87  
D67,362 S \* 5/1925 Severus ..... D26/153  
D75,417 S \* 6/1928 Frerichs ..... 30/46  
D174,888 S \* 5/1955 Rayner ..... D26/87  
D198,274 S \* 5/1964 Rycus ..... D26/87  
D244,652 S \* 6/1977 Tegner ..... D26/22  
D253,795 S \* 12/1979 Hilgeman ..... D26/22  
D259,517 S \* 6/1981 Dobrowski ..... D26/56  
D293,484 S \* 12/1987 Joerger ..... D26/87  
D313,668 S \* 1/1991 Porter ..... D26/87  
D371,622 S \* 7/1996 Hsu ..... D26/87  
D384,764 S \* 10/1997 Littman ..... D26/87  
D389,946 S \* 1/1998 Hutton ..... D26/9

**OTHER PUBLICATIONS**

Kohler Lighting 22545-SC01-CPL Polished Chrome Damask 17" Tall 1 Light Wall Sconce available from lightingdirect.com as early as Jan. 27, 2022. (Year: 2022).\*

(Continued)

*Primary Examiner* — Clare E Heflin

(74) *Attorney, Agent, or Firm* — The Belles Group, P.C.

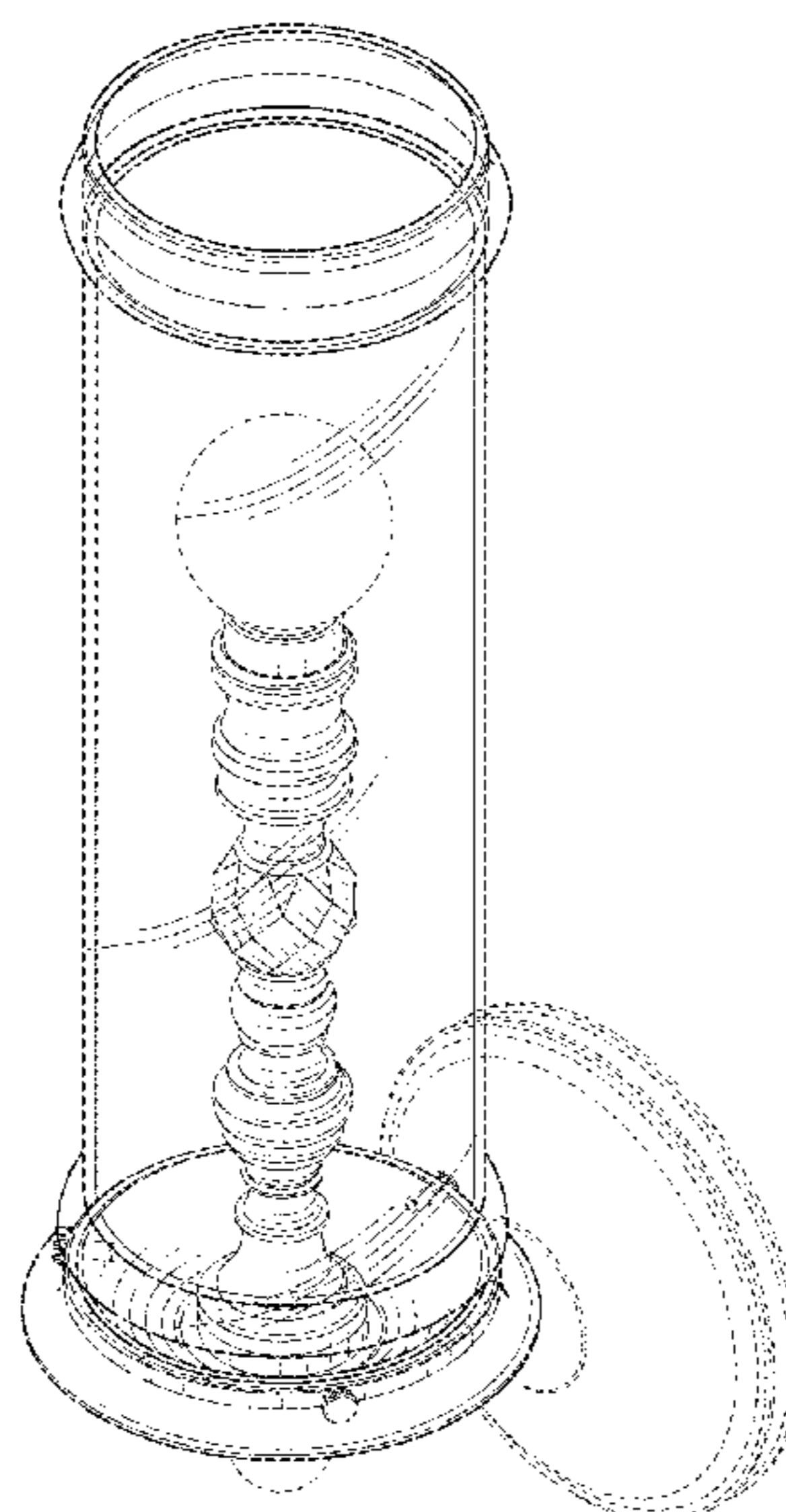
(57) **CLAIM**

We claim the ornamental design for a light fixture, as shown and described.

**DESCRIPTION**

FIG. 1 is a perspective view of the claimed design;  
FIG. 2 is a front view of the claimed design shown in FIG. 1;  
FIG. 3 is a rear view of the claimed design shown in FIG. 1;  
FIG. 4 is a side view of the claimed design shown in FIG. 1;  
FIG. 5 is another side view of the claimed design shown in FIG. 1;  
FIG. 6 is a top view of the claimed design shown in FIG. 1; and,  
FIG. 7 is a bottom view of the claimed design shown in FIG. 1.  
The broken lines shown on the drawings depict portions of the light fixture that form no part of the claimed design.

**1 Claim, 6 Drawing Sheets**



(56)

**References Cited**

U.S. PATENT DOCUMENTS

D708,780 S	*	7/2014	Park	.....	D26/81
D722,401 S	*	2/2015	Sterling	.....	D26/87
D731,694 S	*	6/2015	Tomlinson	.....	D26/128
D831,875 S	*	10/2018	Sperling	.....	D26/92
D851,320 S	*	6/2019	Amato	.....	D26/87
D917,767 S	*	4/2021	Zheng	.....	D26/86
D924,461 S	*	7/2021	Hu	.....	D26/86
D924,462 S	*	7/2021	Bai	.....	D26/86

OTHER PUBLICATIONS

Elk Lighting 67340/1 Wall sconce, ASIN: B01CIPD4WK. Available from amazon.com Mar. 3, 2016. (Year: 2016).\*

Howe Single Sconce Item #A2833 from rejuvenation.com, visited Jun. 28, 2022. (Year: 2022).\*

Visual Comfort Graydon Single Bath Light designed by Thomas O'Brien, Item: TOB 2187BZ-WG from circalighting.com visited Jun. 28, 2022. (Year: 2022).\*

\* cited by examiner

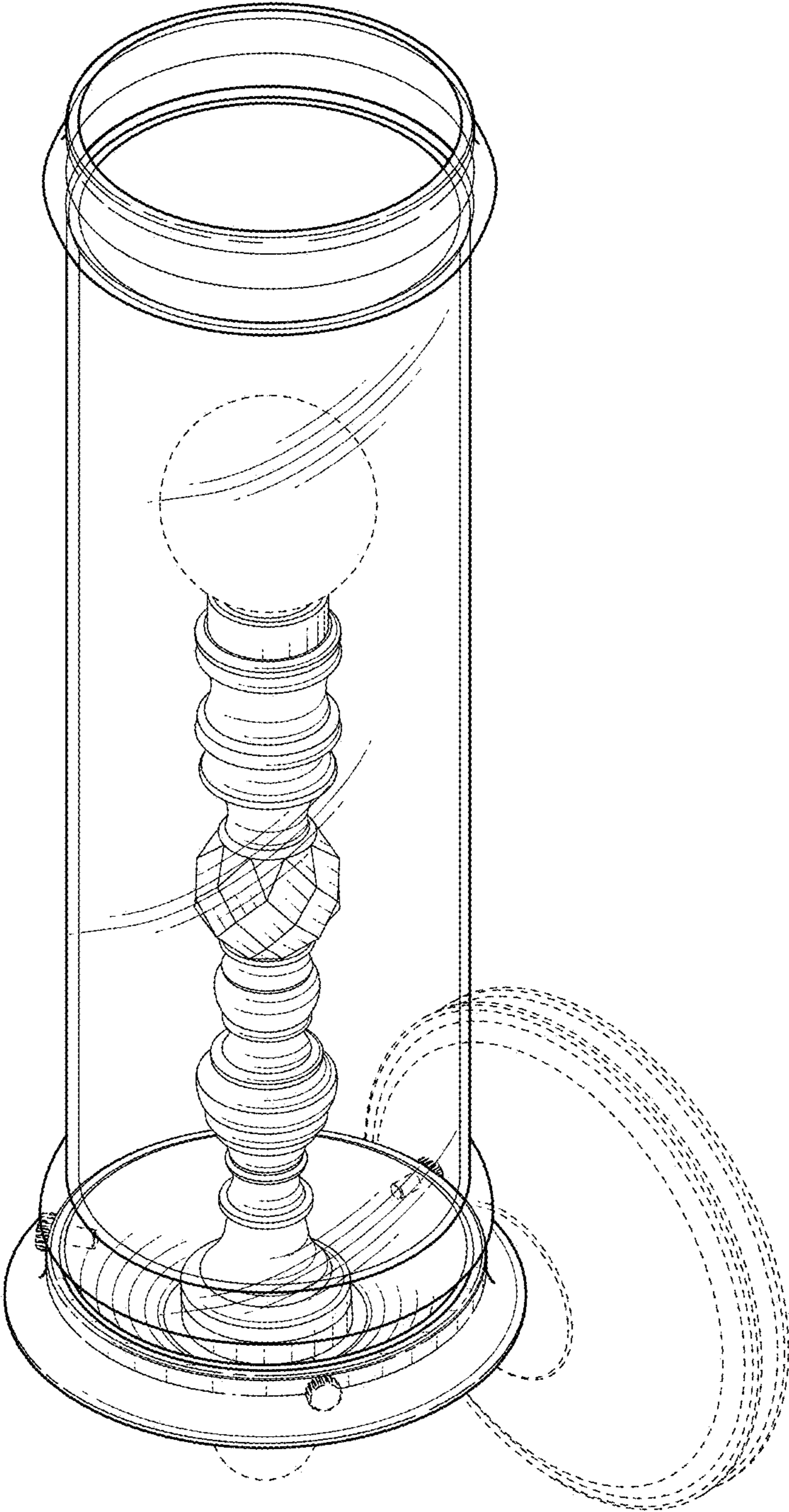


FIG. 1

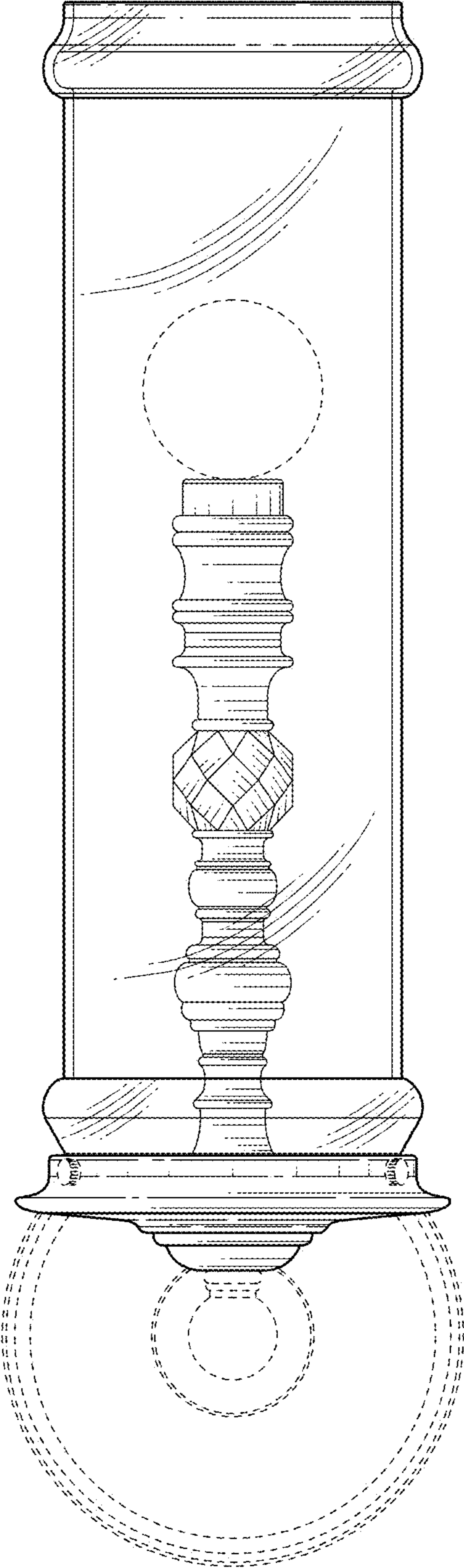


FIG. 2



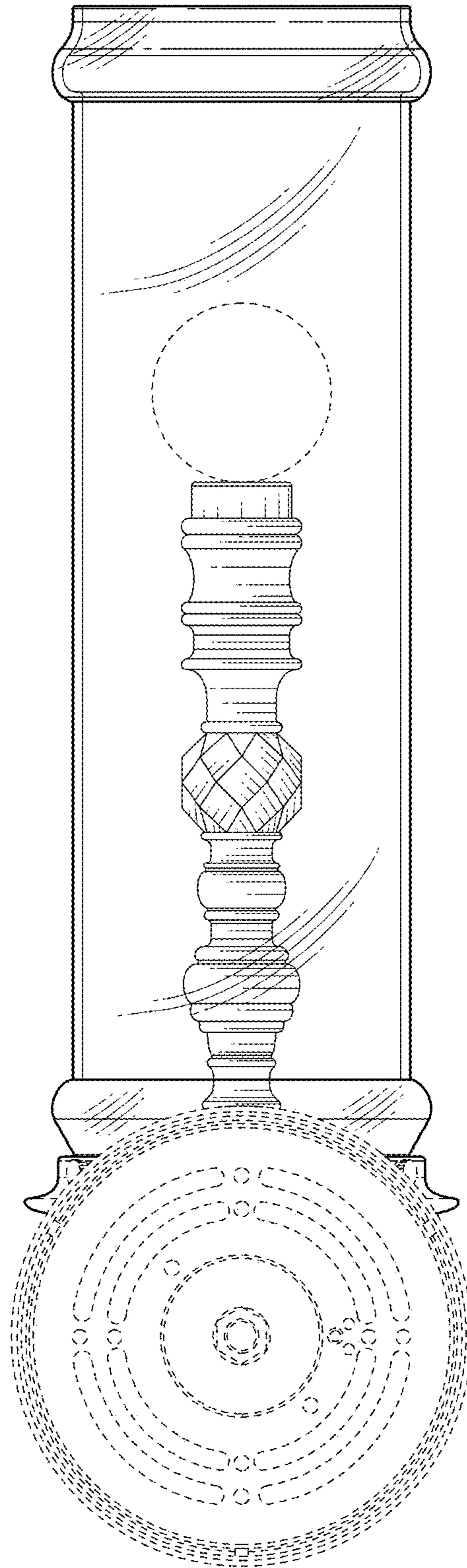


FIG. 3

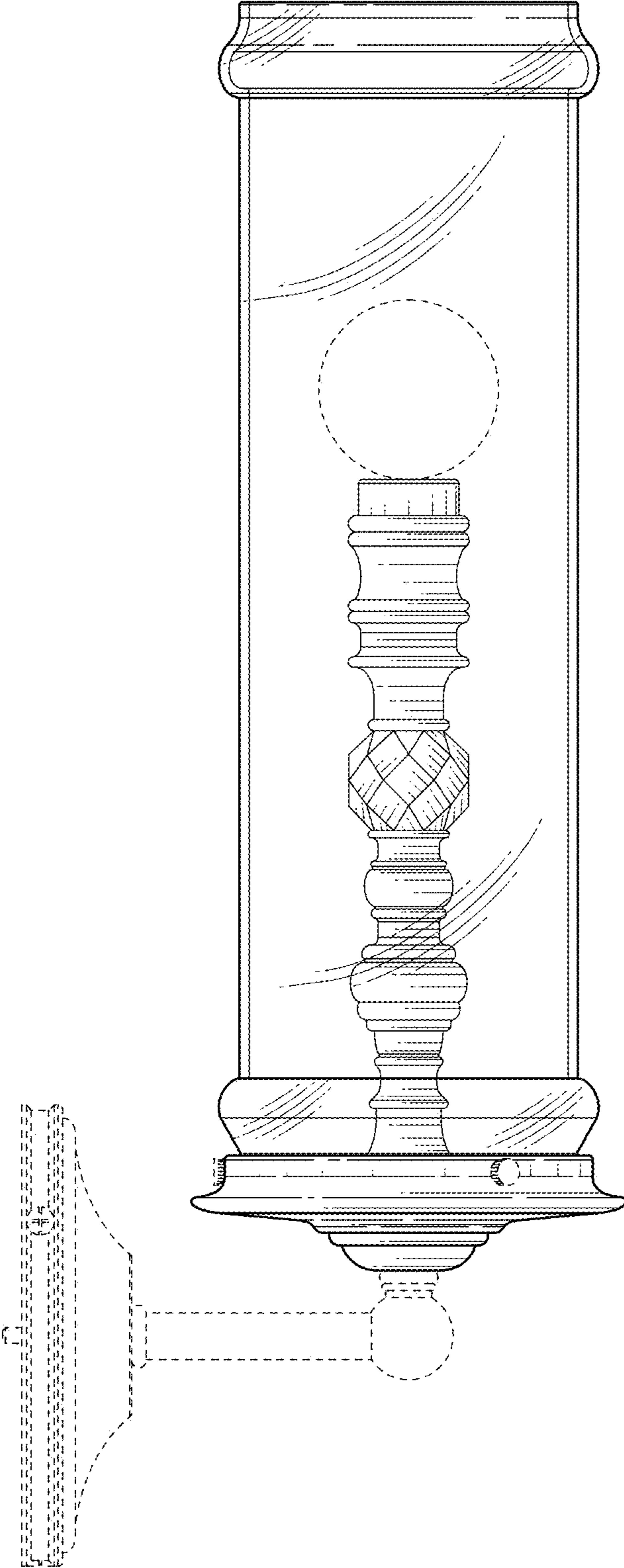


FIG. 4

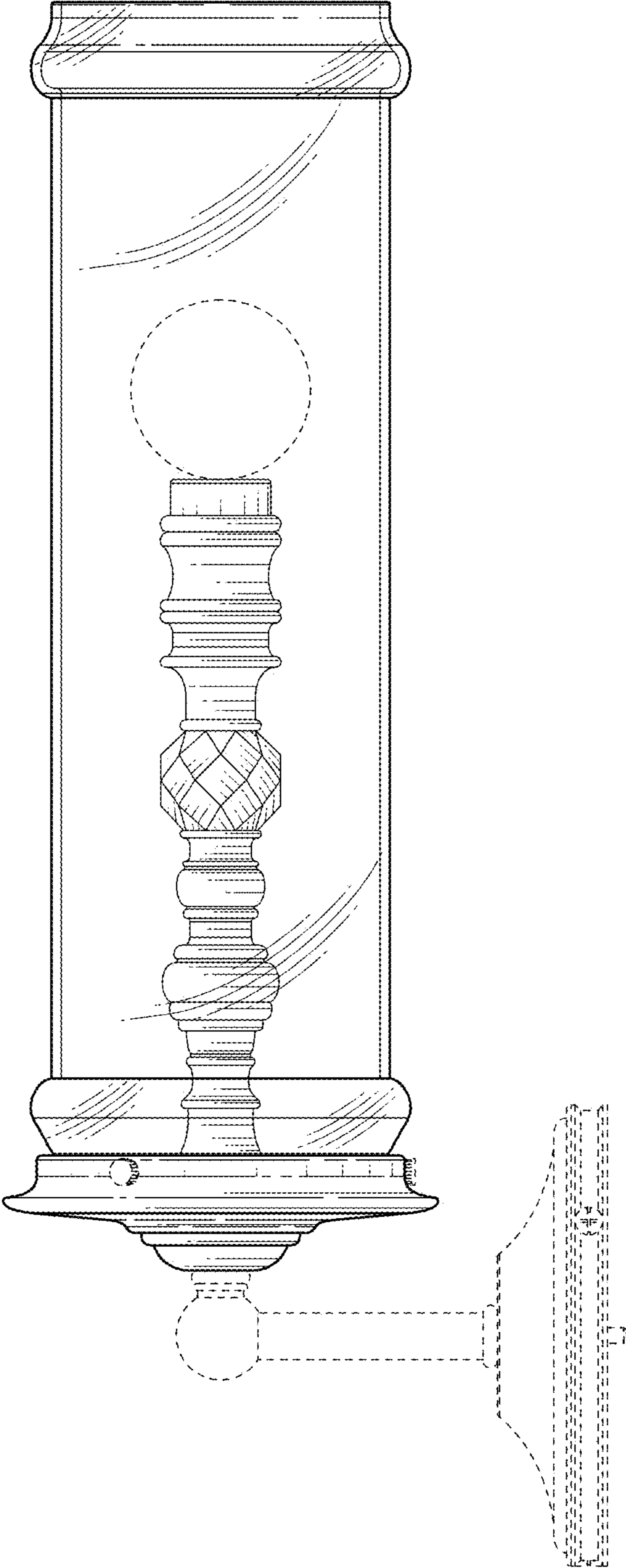


FIG. 5

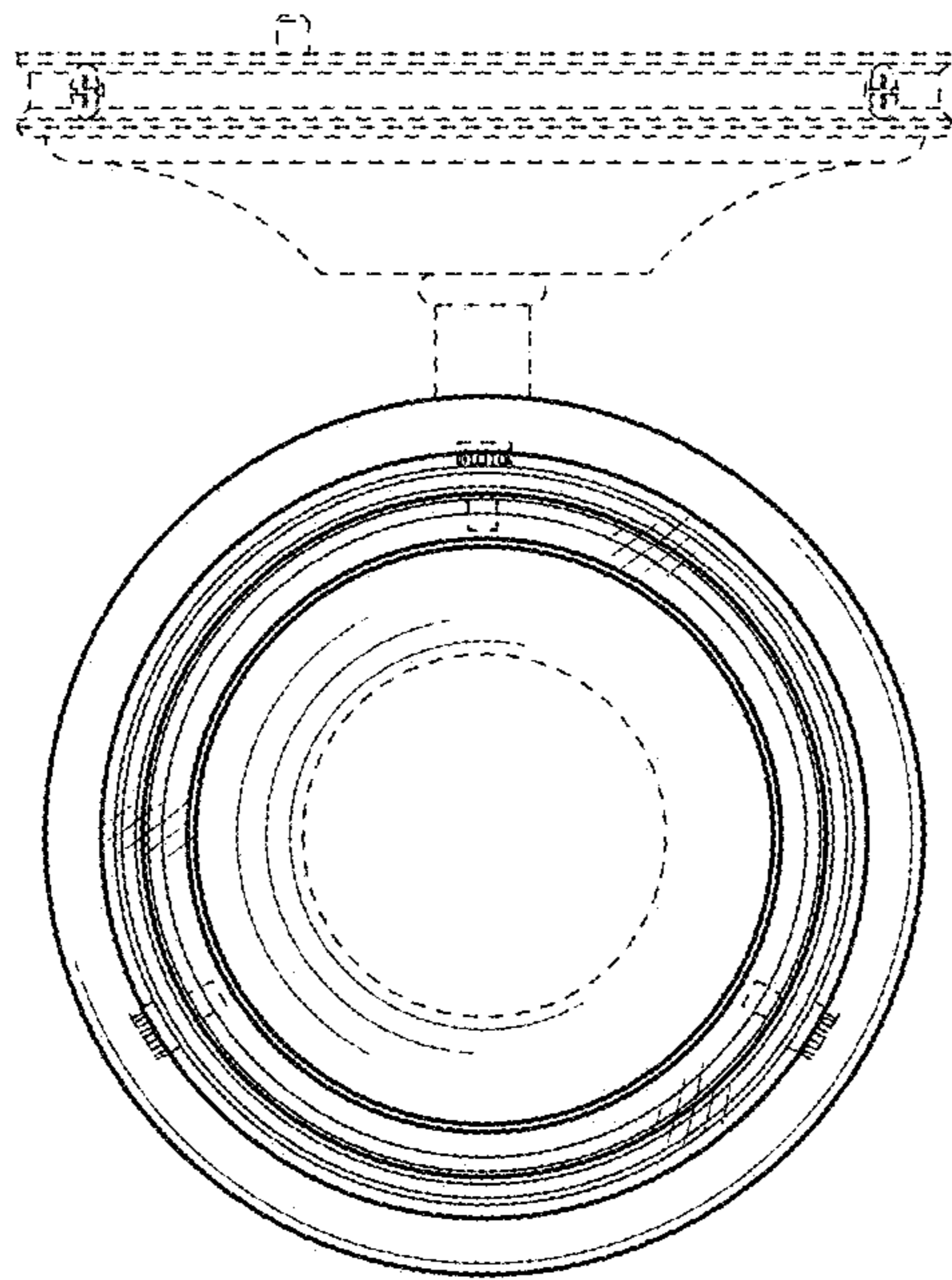


FIG. 6

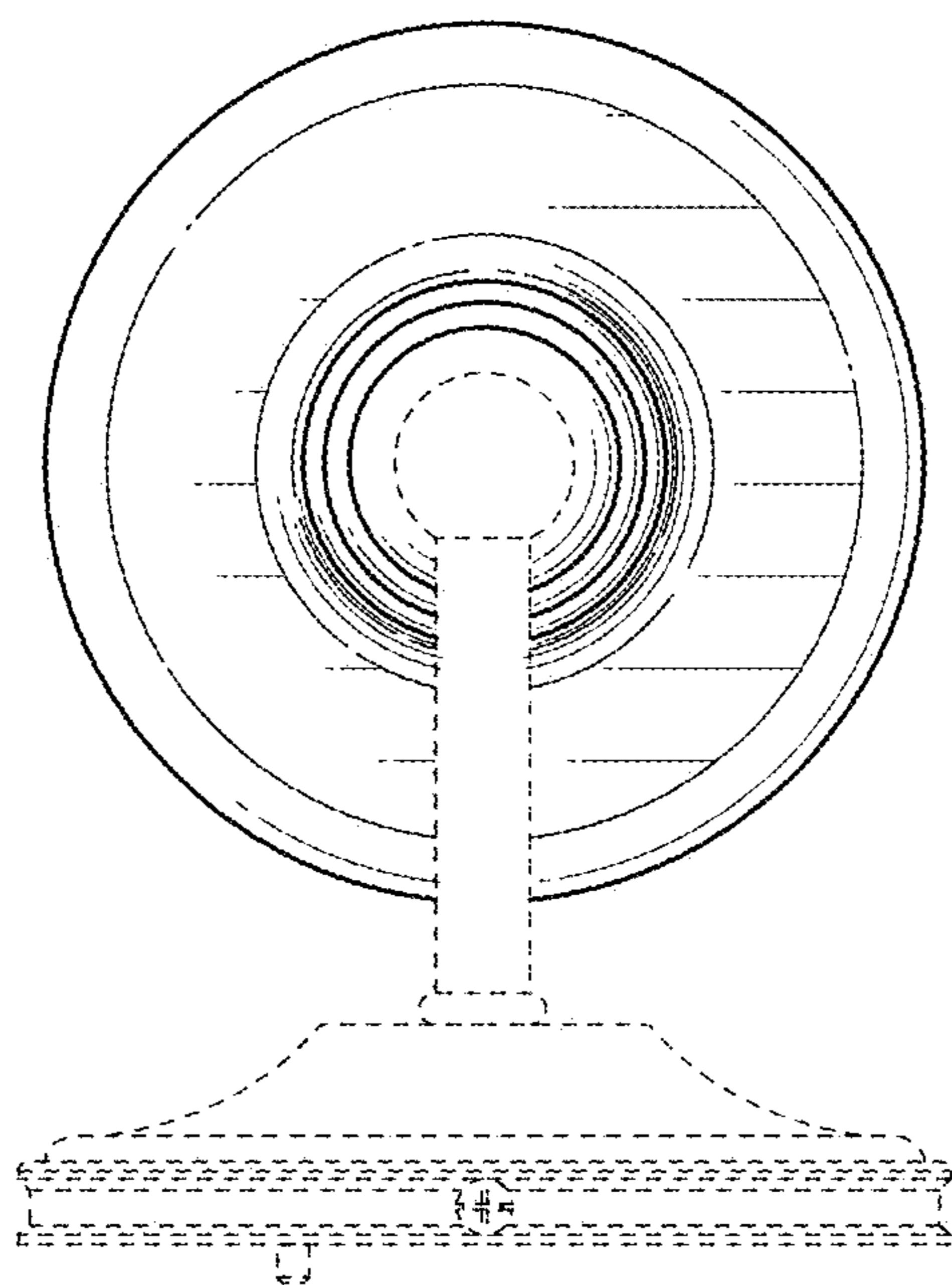


FIG. 7