



US00D968672S

(12) **United States Design Patent** (10) **Patent No.:** **US D968,672 S**
Zheng (45) **Date of Patent:** **** *Nov. 1, 2022**

(54) **LAMP**

(71) Applicant: **Xiaohui Zheng**, Zhongshan (CN)

(72) Inventor: **Xiaohui Zheng**, Zhongshan (CN)

(*) Notice: This patent is subject to a terminal disclaimer.

(**) Term: **15 Years**

(21) Appl. No.: **29/751,451**

(22) Filed: **Sep. 22, 2020**

(51) **LOC (13) Cl.** **26-05**

(52) **U.S. Cl.**
USPC **D26/86**

(58) **Field of Classification Search**

USPC D26/72, 80, 81, 82, 84-90, 92
CPC F21S 8/04; F21S 8/043; F21S 8/046; F21S 8/06; F21S 8/061; F21S 8/063; F21S 8/065; F21S 8/066; F21S 8/068

See application file for complete search history.

(56) **References Cited**

U.S. PATENT DOCUMENTS

D473,000 S *	4/2003	Hoernig	D26/80
D473,005 S *	4/2003	Hoernig	D26/92
D754,906 S *	4/2016	Smith	D26/80
D833,666 S *	11/2018	Orozco	D26/86
D882,149 S *	4/2020	Lin	D26/86
D906,577 S *	12/2020	Gardner	D26/80
D913,565 S *	3/2021	Yu	D26/87
D916,352 S *	4/2021	Zeng	D26/86
D924,461 S *	7/2021	Hu	D26/86
2011/0199775 A1 *	8/2011	Bassani	F21V 23/06 362/405

OTHER PUBLICATIONS

Portfolio, Modern Vanity Light. Oldest Customer Review posted Oct. 14, 2016. Searched on Apr. 6, 2022. [https://www.lowes.com/

pd/Portfolio-3-Light-Nickel-Modern-Contemporary-Vanity-Light/1000002954] (Year: 2016).*

Franklin Iron Works, Jenison Arch Bronze Bathroom Light. Oldest Customer Review posted Jul. 13, 2018. Searched on Apr. 6, 2022. [https://www.lampsplus.com/products/jenison-arch-51-and-one-half-inch-wide-bronze-bathroom-light__3c699.html] (Year: 2018).*

Shades of Light, Fluted Fenix Vanity Light. First available unknown. Searched on Apr. 6, 2022. [https://www.shadesoflight.com/products/fluted-fenix-vanity-light-3-light?color=Aged+Brass+Clear+Fluted+Glass] (Year: 2022).*

Casablanca, Square Light Shade. Oldest Customer Review posted Jun. 22, 2019. Searched on Apr. 6, 2022. [https://www.lowes.com/pd/Casablanca-4-625-in-H-4-625-in-W-Frosted-Amber-Speckled-Tinted-Glass-Square-Ceiling-Fan-Light-Shade/4743735] (Year: 2019).*

* cited by examiner

Primary Examiner — Samantha Q Lawrence

Assistant Examiner — Melissa Adriane Santos

(74) *Attorney, Agent, or Firm* — Justin Lampel

(57) **CLAIM**

The ornamental design for a lamp, as shown and described.

DESCRIPTION

FIG. 1 is a perspective view of a lamp showing the claimed design;

FIG. 2 is a top plan view thereof;

FIG. 3 is a rear elevational view thereof;

FIG. 4 is a bottom plan view thereof;

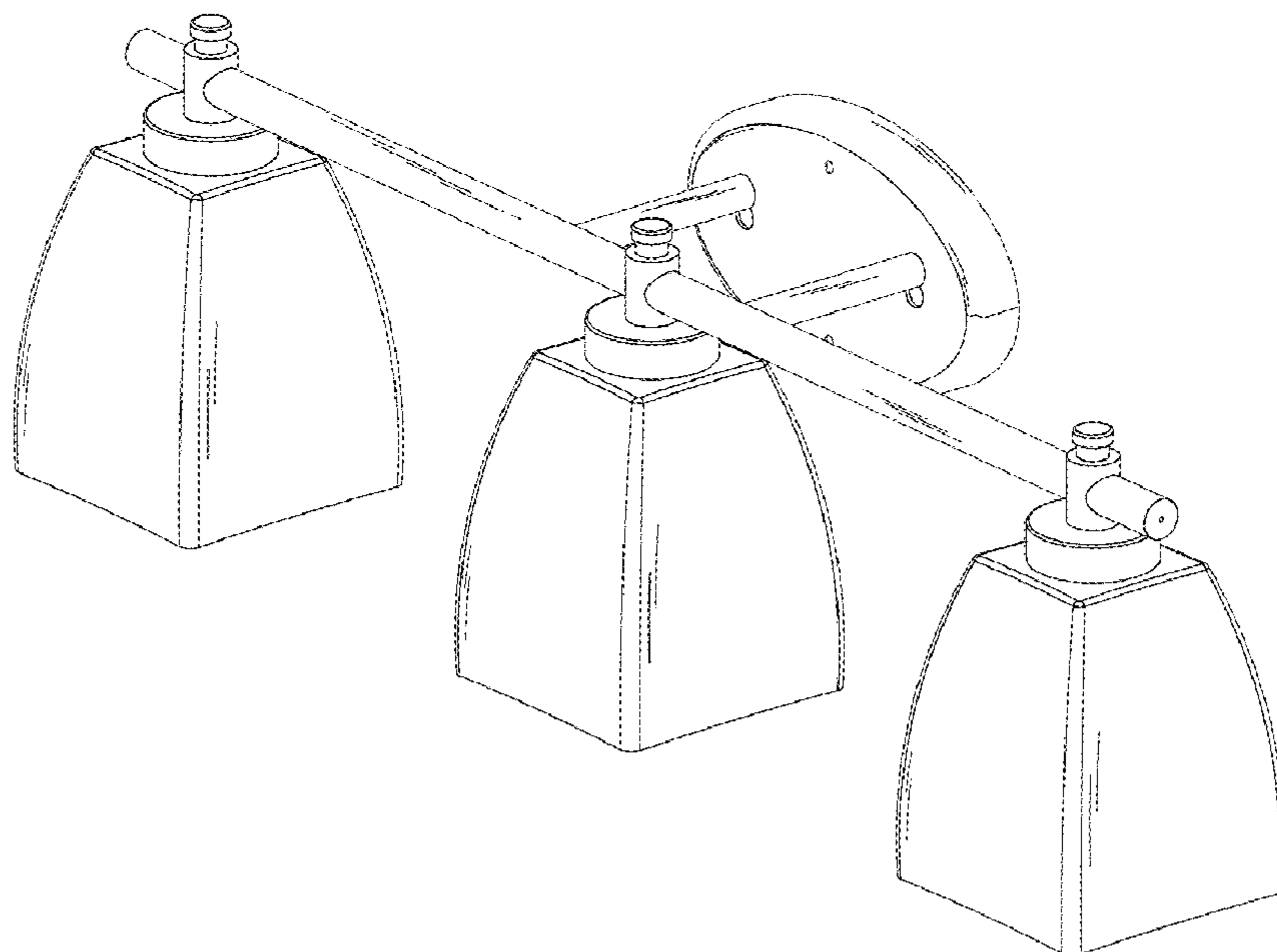
FIG. 5 is a right side view thereof;

FIG. 6 is a front elevational view thereof; and,

FIG. 7 is a left side view thereof.

The broken lines illustrate portions of the lamp that form no part of the claimed design.

1 Claim, 7 Drawing Sheets



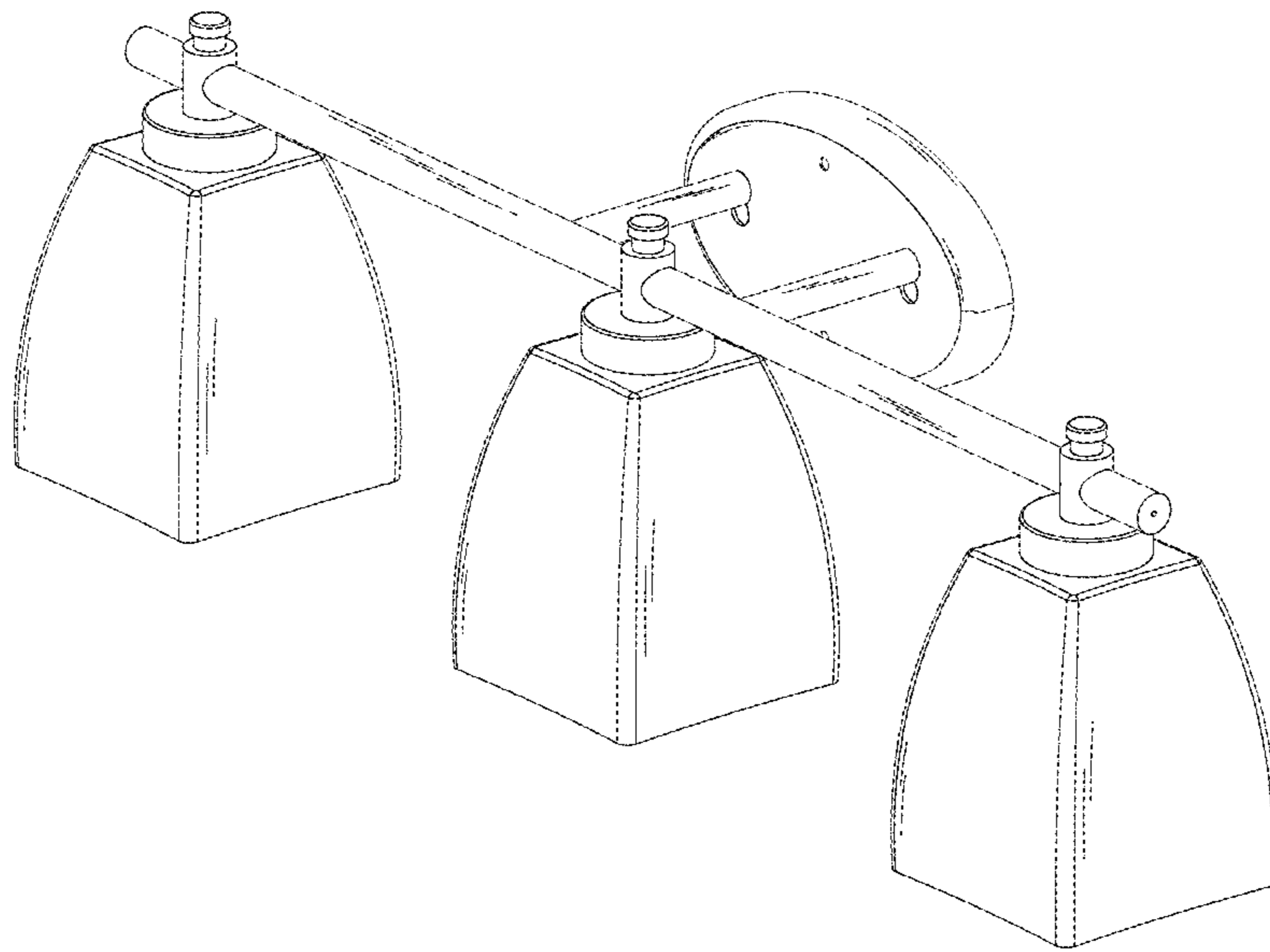


FIG.1

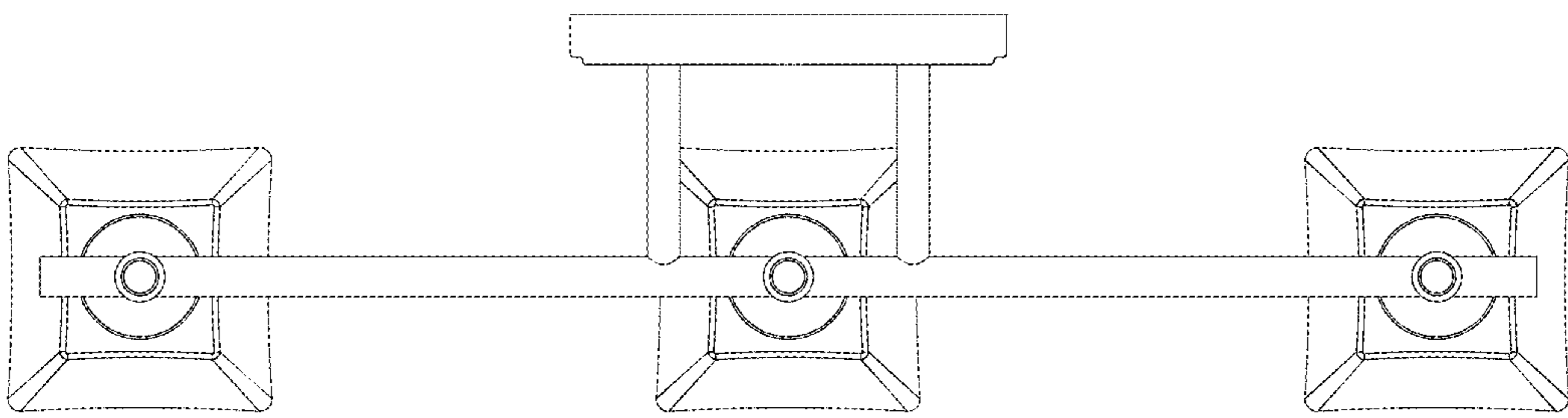


FIG. 2

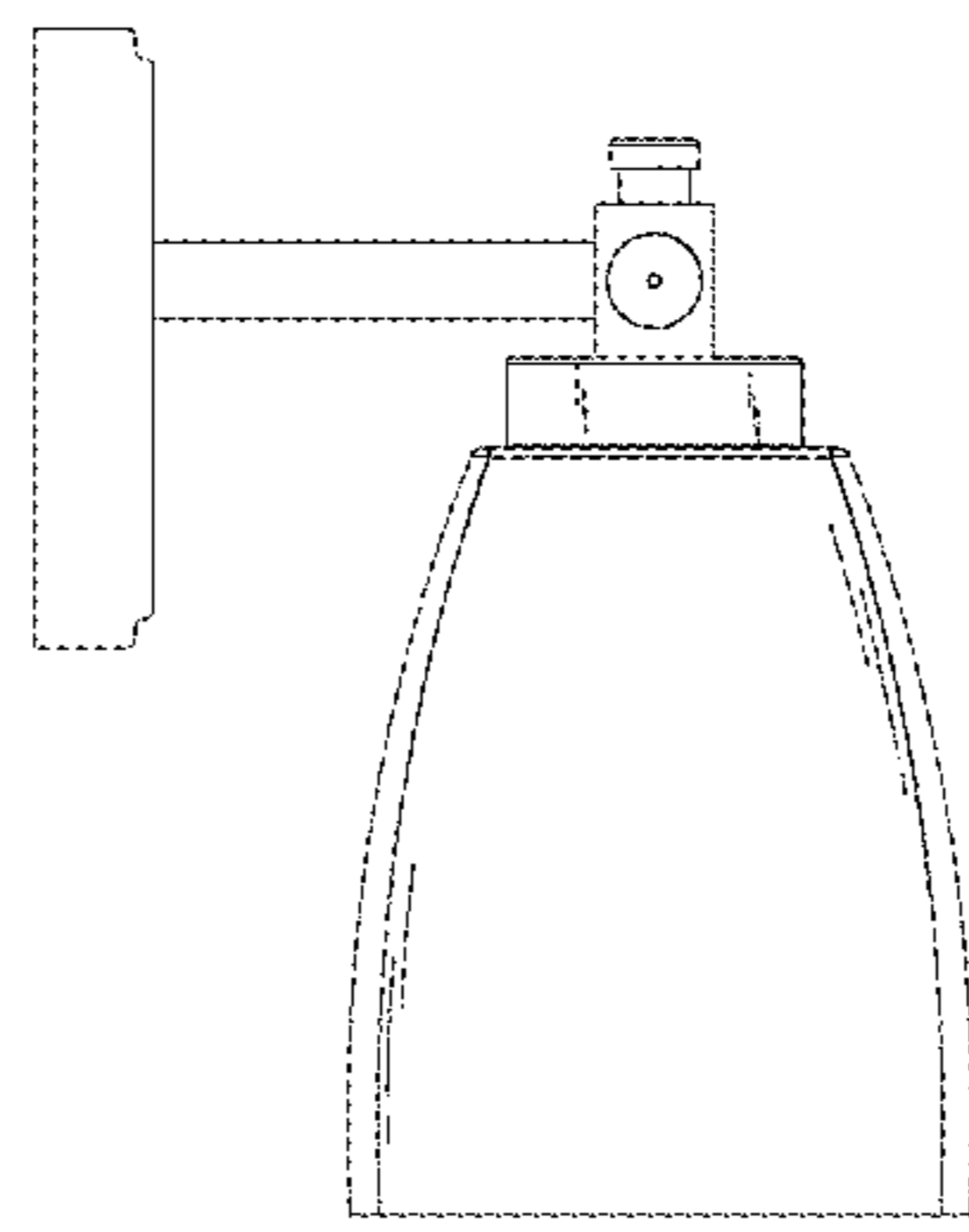


FIG. 3

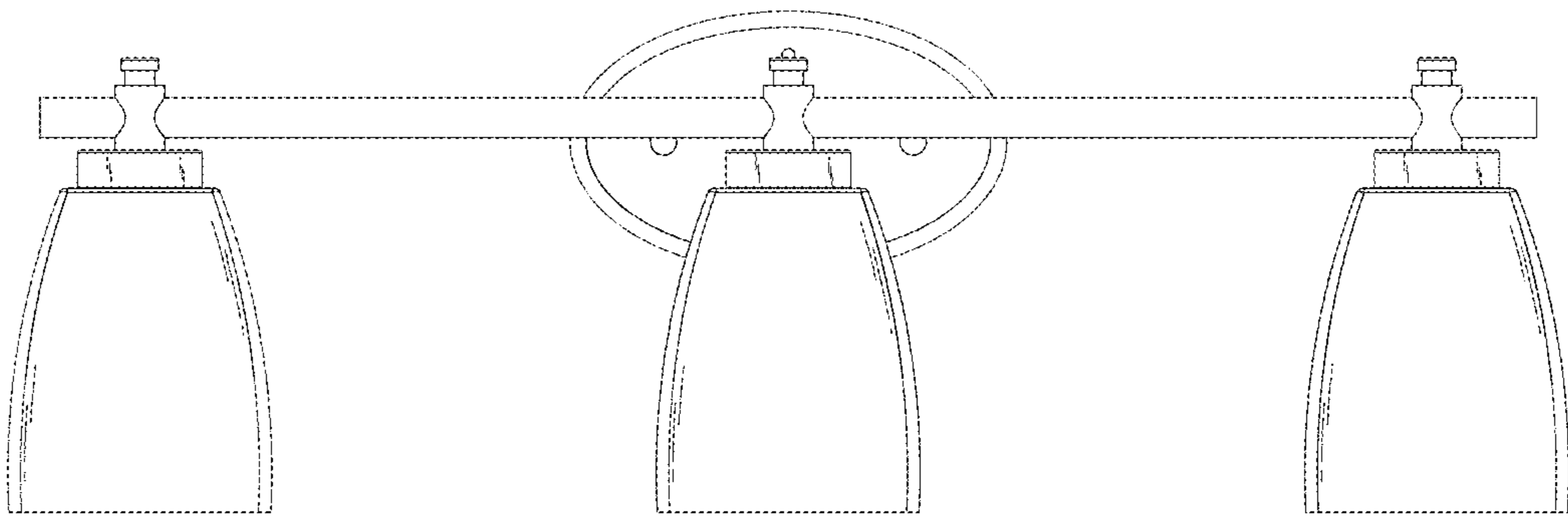


FIG. 4

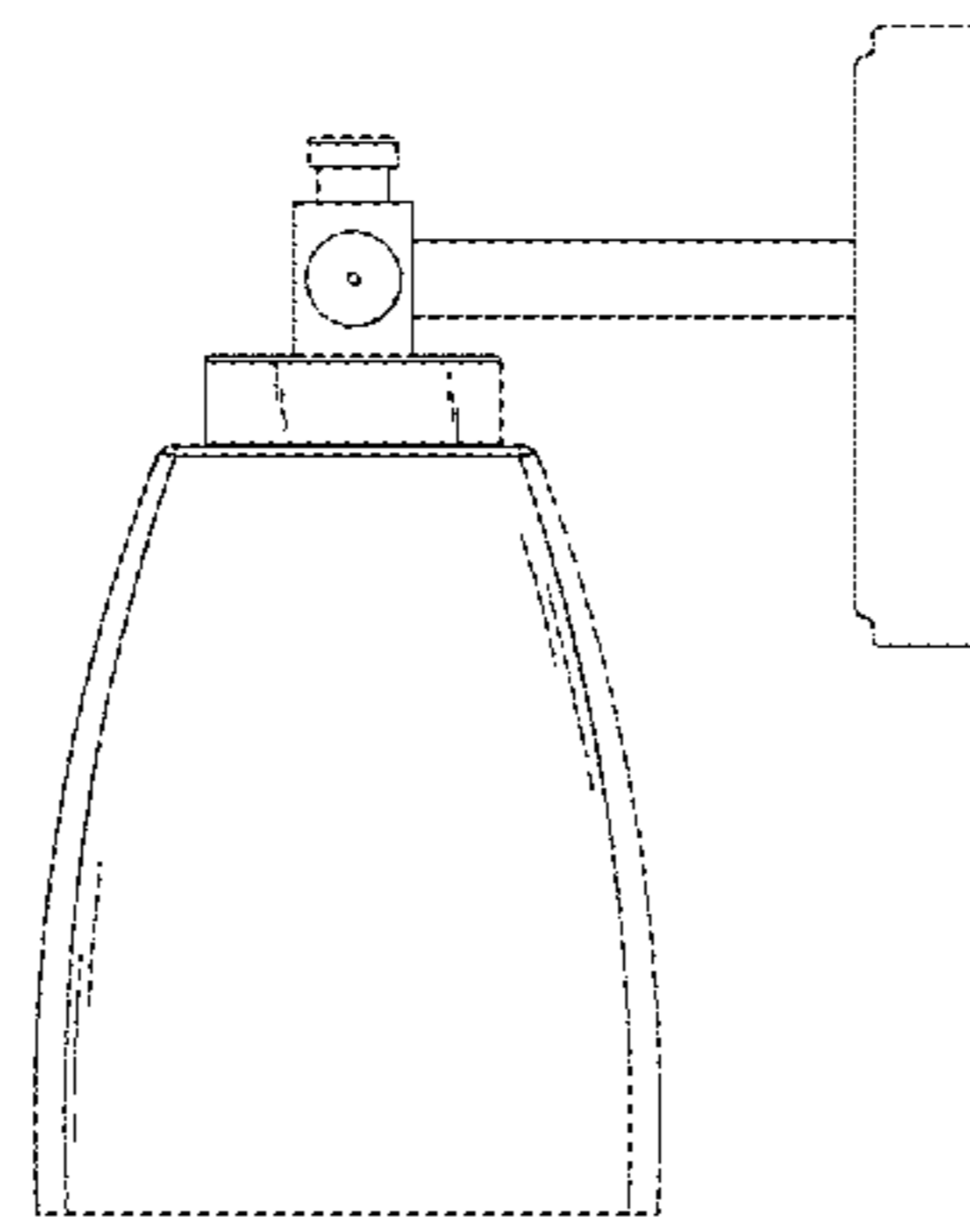


FIG. 5

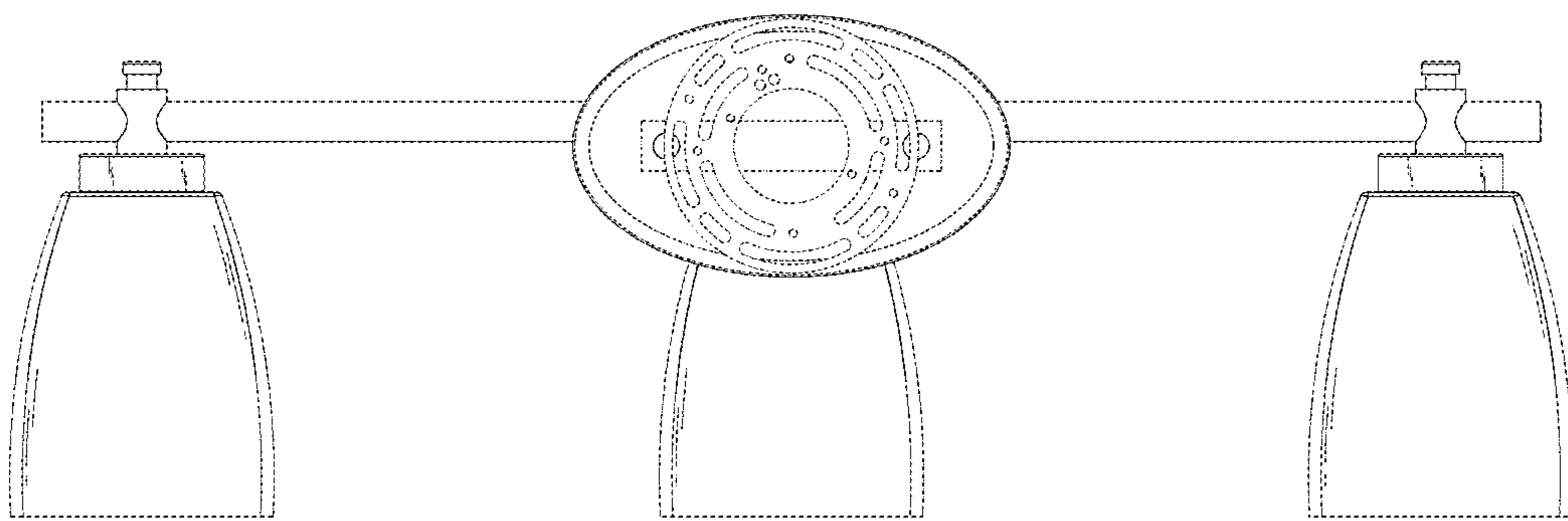


FIG. 6

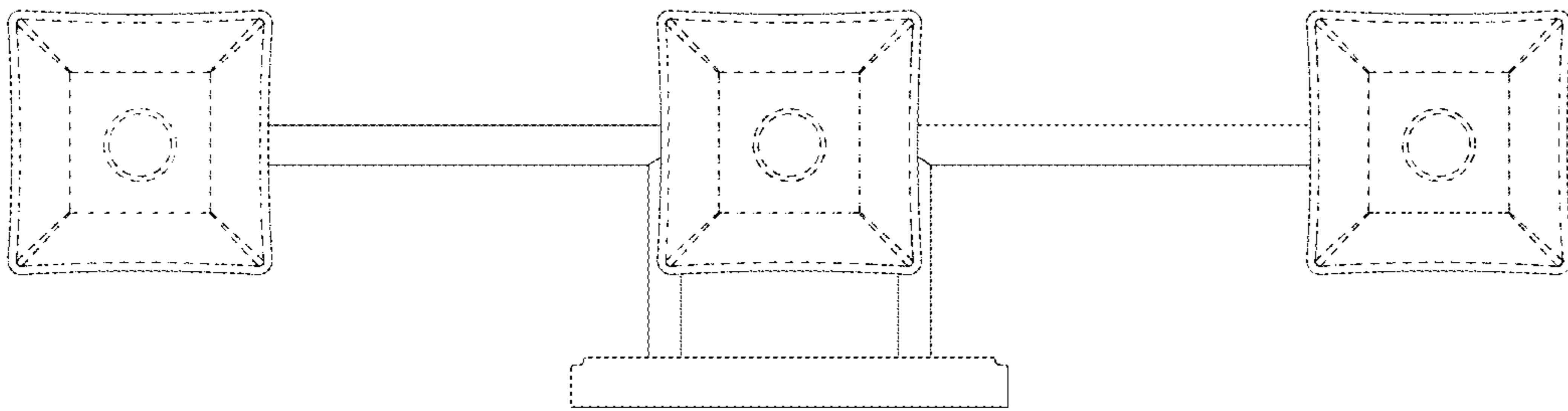


FIG. 7