



US00D968671S

(12) **United States Design Patent** (10) **Patent No.:** **US D968,671 S**
Xiang (45) **Date of Patent:** **** Nov. 1, 2022**

(54) **SOLAR LAWN LIGHT**
(71) Applicant: **Ningbo Longli Lighting Co., Ltd.,**
Ningbo (CN)
(72) Inventor: **Zhixiang Xiang, Ningbo (CN)**
(**) Term: **15 Years**
(21) Appl. No.: **29/812,772**
(22) Filed: **Oct. 25, 2021**
(51) **LOC (13) Cl.** **26-05**
(52) **U.S. Cl.**
USPC **D26/67**
(58) **Field of Classification Search**
USPC D26/63, 67-70, 73, 85
CPC F21S 8/03; F21S 8/033; F21S 8/036; F21S
8/081; F21S 9/035; F21S 9/037; F21W
2111/02; F21W 2111/023; F21W
2131/109
See application file for complete search history.

(56) **References Cited**

U.S. PATENT DOCUMENTS

2,659,809	A *	11/1953	Melia	F21V 3/04
					D26/68
D202,804	S *	11/1965	Bushcott	D26/88
D517,717	S	3/2006	Sanoner		
D517,718	S	3/2006	Sanoner		
D517,719	S	3/2006	Sanoner		
D517,720	S	3/2006	Sanoner		
D541,969	S	5/2007	Bucher		
D551,791	S	9/2007	Sanoner		
D563,586	S	3/2008	Lee		
D610,285	S	2/2010	Sanoner		
D638,969	S *	5/2011	Chen	D26/68
D659,871	S	5/2012	Lee		
D672,487	S *	12/2012	Chen	D26/68
D678,580	S	3/2013	Rizzi		
D861,221	S *	9/2019	Chen	D26/68
D904,663	S *	12/2020	Wang	D26/68
D933,588	S *	10/2021	Li	D13/102
D935,676	S *	11/2021	Ma	D26/67

D946,805 S * 3/2022 Wu D26/67
D957,713 S * 7/2022 Wang D26/67
2020/0103090 A1* 4/2020 Chang F21S 8/033

OTHER PUBLICATIONS

Living Accents Solar Powered LED Pathway Light, Item #3908415 available from homedepot.com as early as Aug. 27, 2020. (Year: 2020).*
Balhvit Glass Solar Lights, ASIN: B08F7VPK6N. Available from amazon.com Aug. 4, 2020. (Year: 2020).*
Ruiqas Solar Light, ASIN: B09NRFG8J5. Available from amazon.com, visited Aug. 26, 2022. (Year: 2022).*
RXF Solar Lights, ASIN: B09L43MH9J. Available from amazon.com, visited Aug. 26, 2022. (Year: 2022).*

* cited by examiner

Primary Examiner — Clare E Heflin

(74) *Attorney, Agent, or Firm* — Rumit Ranjit Kanakia

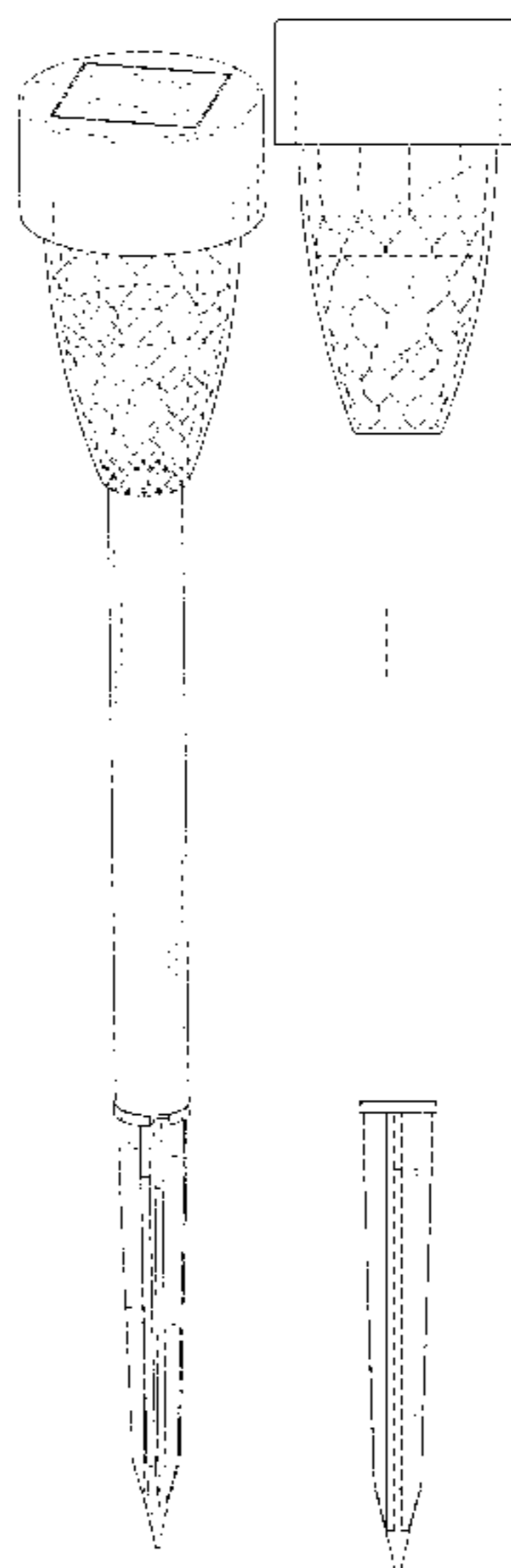
(57) **CLAIM**

The ornamental design for a solar lawn light, as shown and described.

DESCRIPTION

FIG. 1 is a perspective view of a solar lawn light showing my new design;
FIG. 2 is another perspective view thereof;
FIG. 3 is a front elevational view thereof;
FIG. 4 is a rear elevational view thereof;
FIG. 5 is a left side elevational view thereof;
FIG. 6 is a right side elevational view thereof;
FIG. 7 is a top plan view thereof; and,
FIG. 8 is a bottom plan view thereof.
The broken lines in the figures are for the purpose of illustrating portions of the solar lawn light, which form no part of the claimed design.

1 Claim, 8 Drawing Sheets



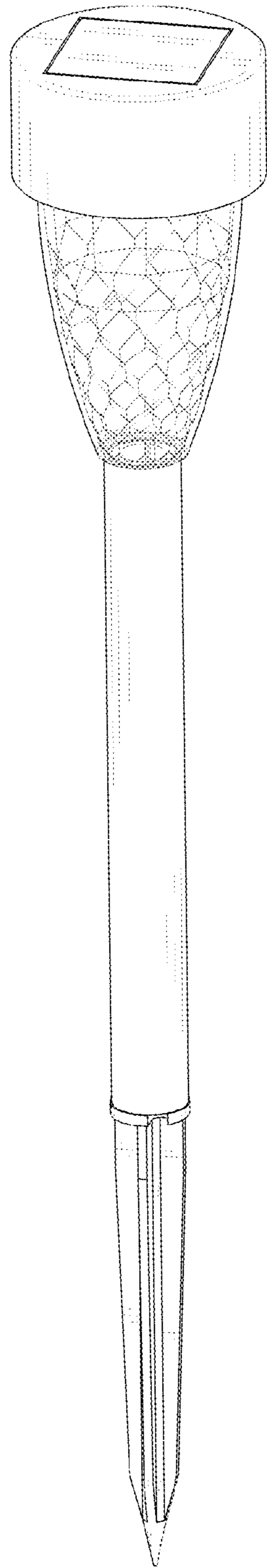


FIG. 1

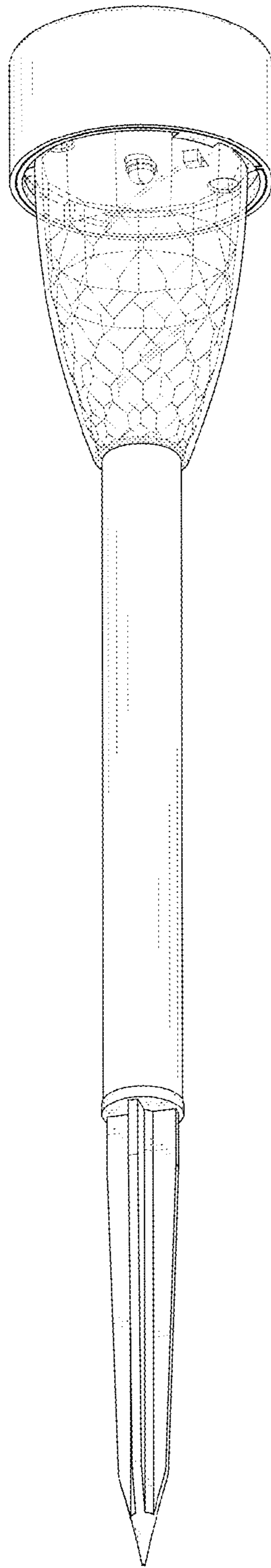


FIG. 2

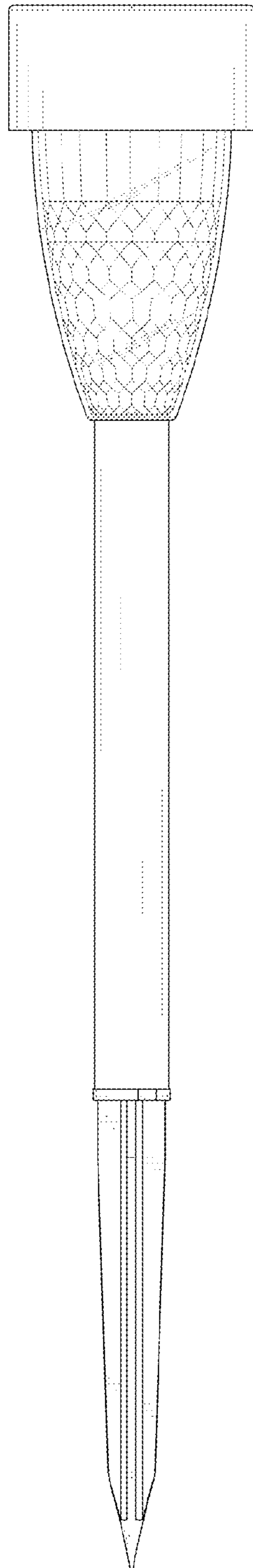


FIG. 3

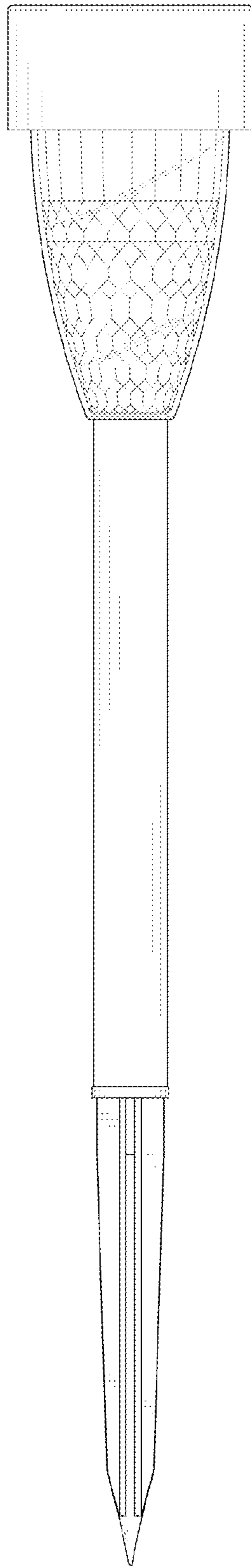


FIG. 4

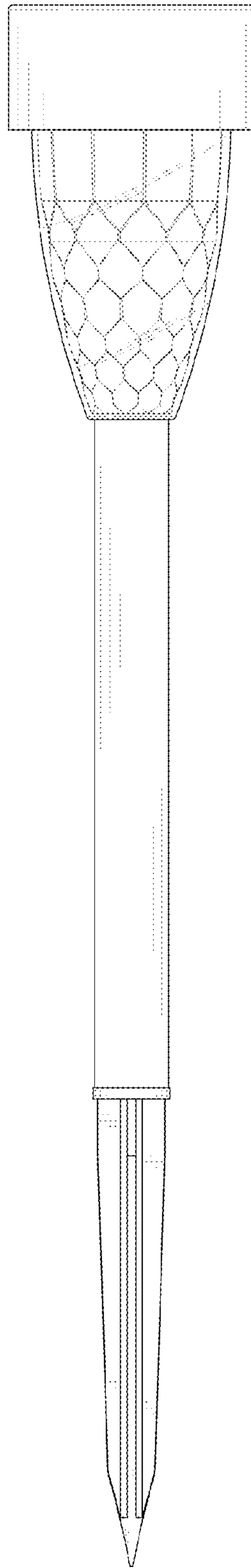


FIG. 5

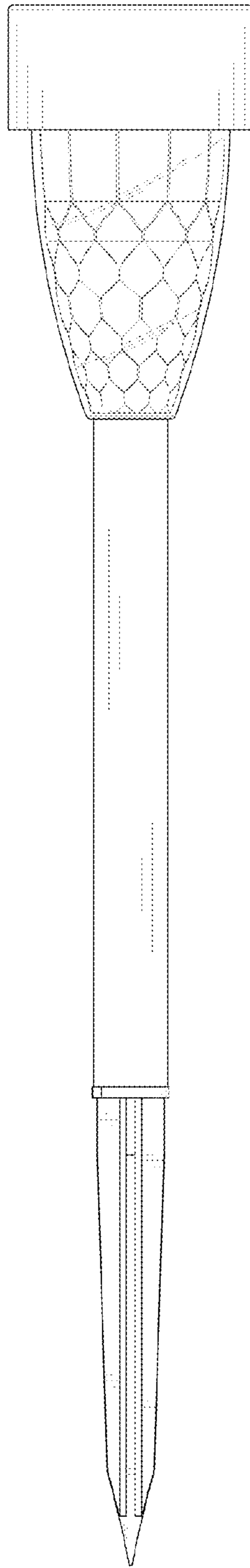


FIG. 6

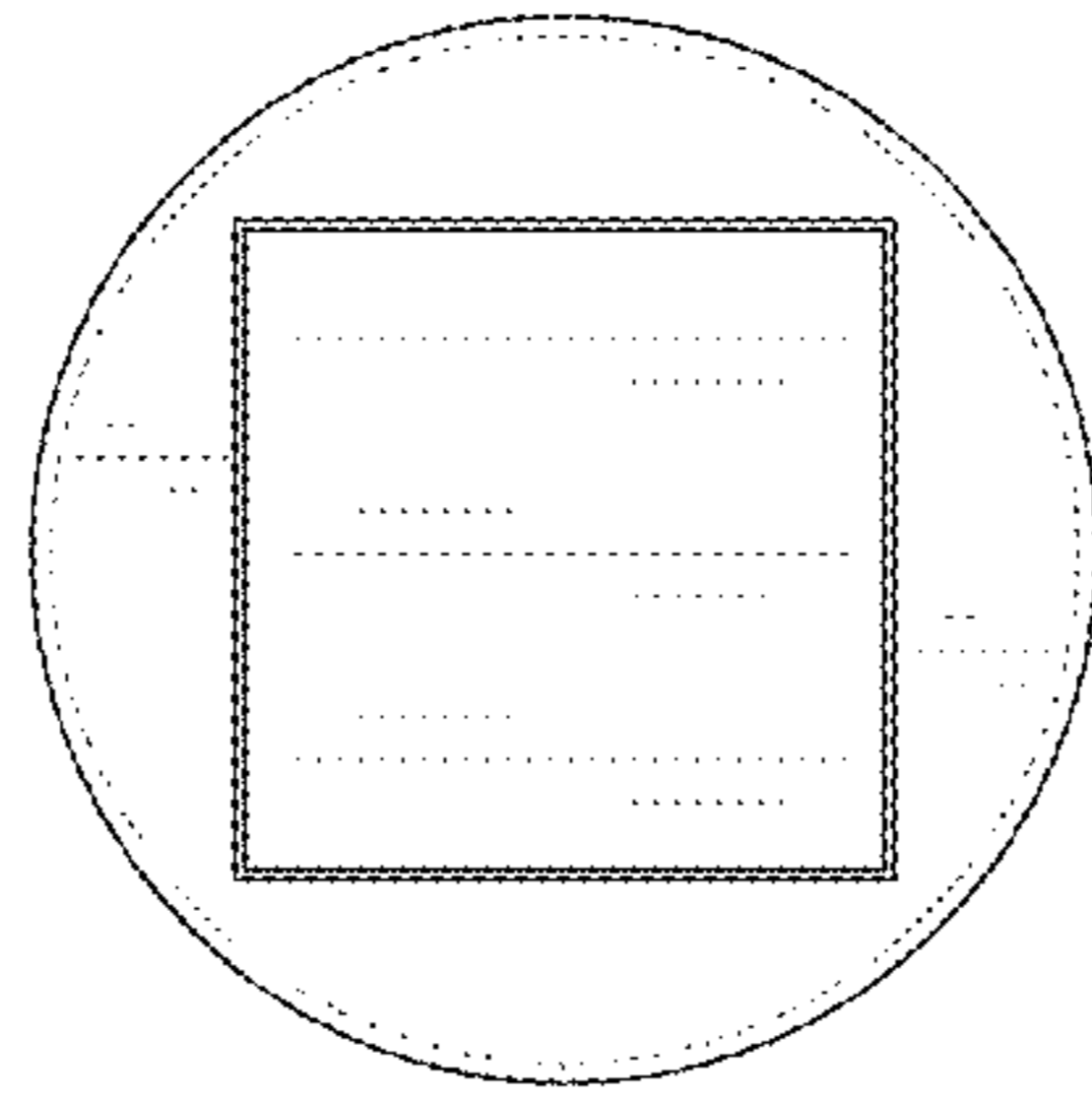


FIG. 7

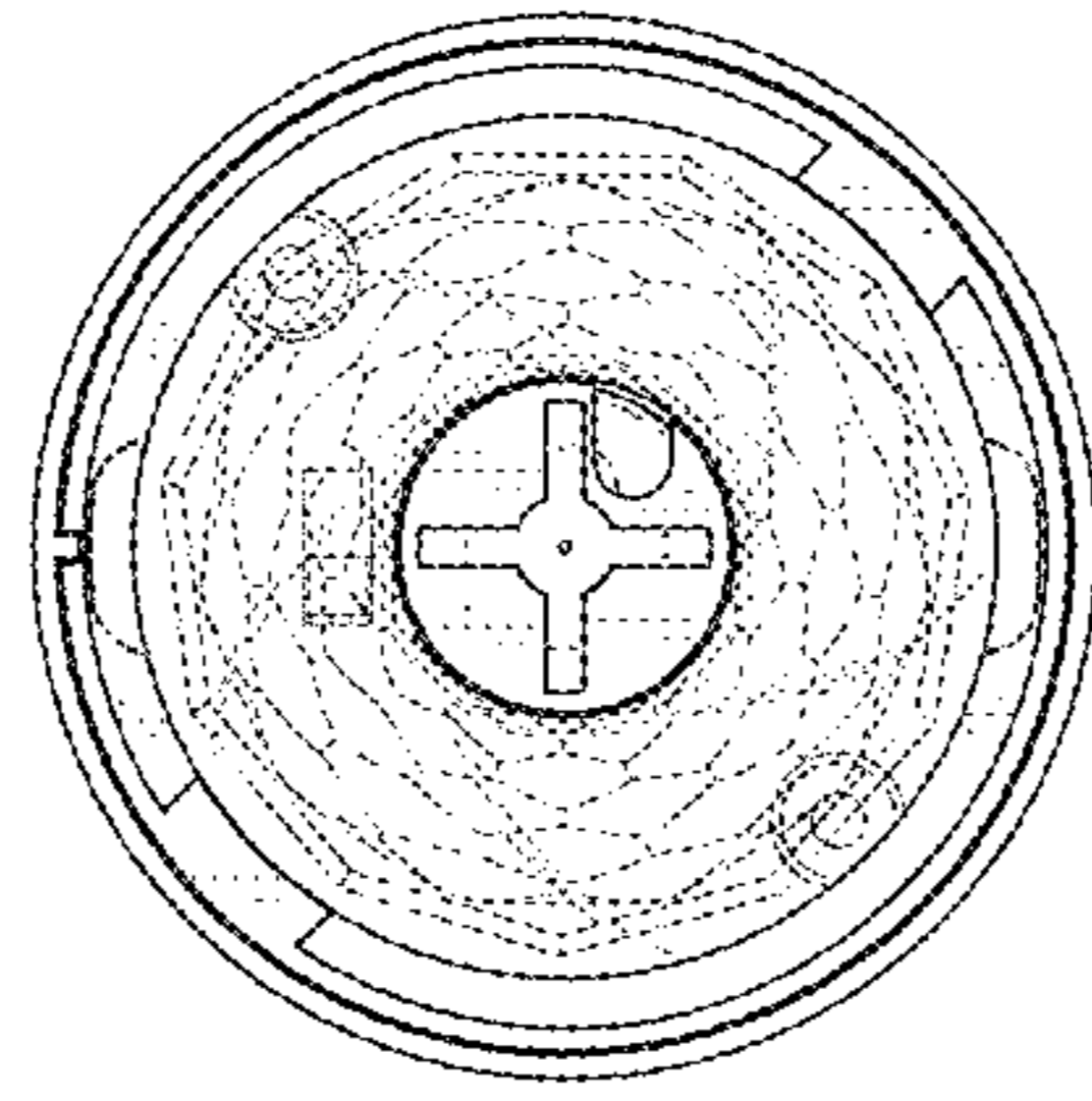


FIG. 8