



US00D968670S

(12) **United States Design Patent**
Yuan

(10) **Patent No.:** **US D968,670 S**
(45) **Date of Patent:** **** Nov. 1, 2022**

(54) **SOLAR LAWN LIGHT**
(71) Applicant: **Guoping Yuan**, Ningbo (CN)
(72) Inventor: **Guoping Yuan**, Ningbo (CN)
(**) Term: **15 Years**
(21) Appl. No.: **29/807,490**
(22) Filed: **Sep. 13, 2021**
(51) **LOC (13) Cl.** **26-05**
(52) **U.S. Cl.**
USPC **D26/67**
(58) **Field of Classification Search**
USPC D26/63, 67, 70, 73, 85
CPC F21S 8/03; F21S 8/033; F21S 8/036; F21S
8/081; F21S 9/035; F21S 9/037; F21W
2111/02; F21W 2111/023; F21W
2131/109
See application file for complete search history.

D946,805 S * 3/2022 Wu D26/67
D947,436 S * 3/2022 Lin D26/67
D958,434 S * 7/2022 Xia D26/67
D959,039 S * 7/2022 Yang D26/67

OTHER PUBLICATIONS

Go2garden 6Pcs Garden Solar Lights, ASIN: B08B3RY7JV. Available from amazon.com Jun. 12, 2020. (Year: 2020).*
Openwork Iron Sconce Torch—Model NARUN. Available from <https://jaimaalkauzar.es/en/fixtures/698-openwork-iron-sconce-torch-model-narun.html> as early as Jan. 25, 2015. (Year: 2015).*
Take Me Metal Solar Pathway Lights, ASIN: B07M6JRN9W. Available from amazon.com Jan. 1, 2019. (Year: 2019).*

* cited by examiner

Primary Examiner — Clare E Hefflin
(74) *Attorney, Agent, or Firm* — Rumit Ranjit Kanakia

(57) **CLAIM**

The ornamental design for a solar lawn light, as shown and described.

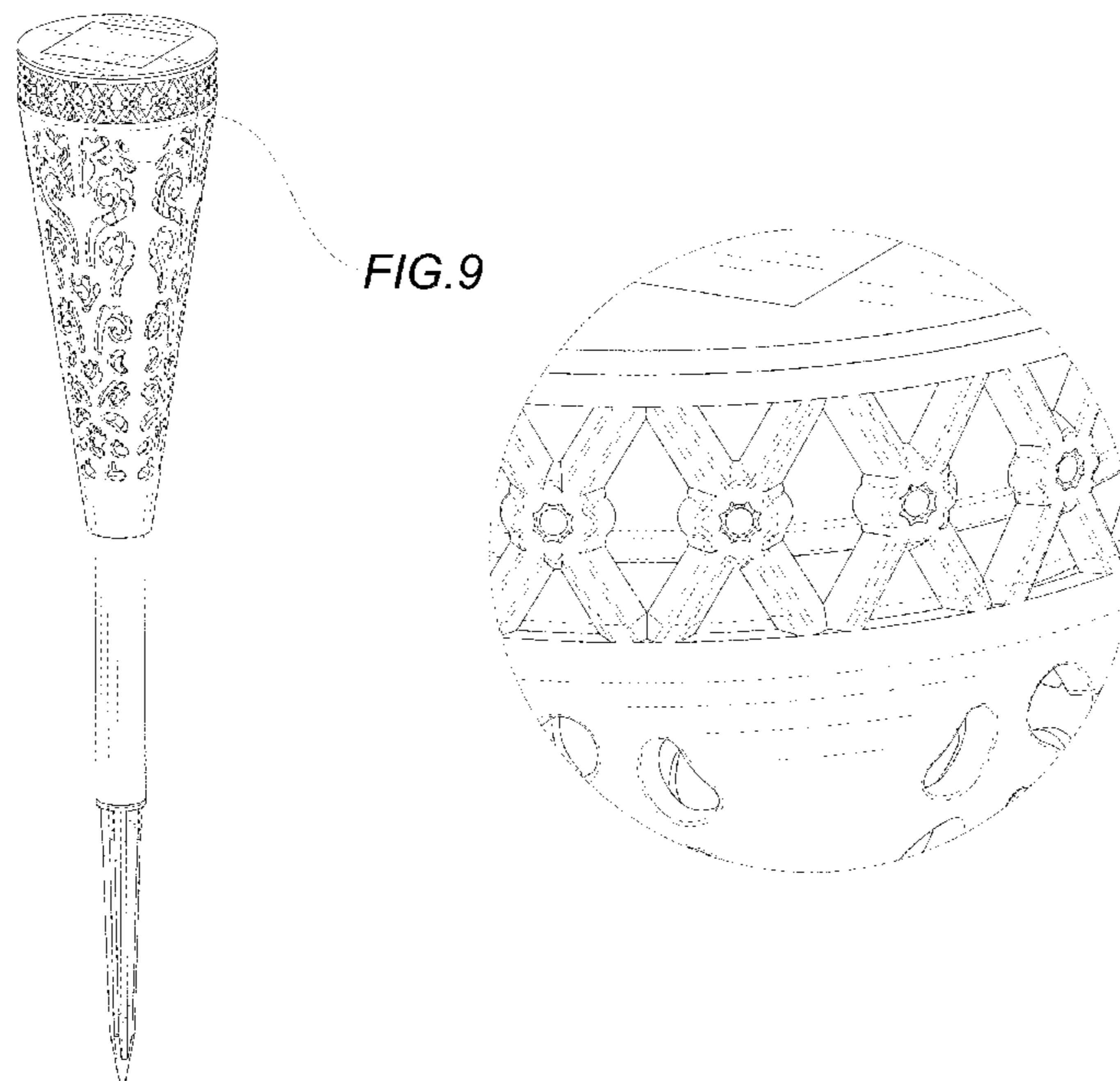
DESCRIPTION

FIG. 1 is a front elevational view of a solar lawn light showing my new design;
FIG. 2 is a rear elevational view thereof;
FIG. 3 is a left side elevational view thereof;
FIG. 4 is a right side elevational view thereof;
FIG. 5 is a top plan view thereof;
FIG. 6 is a bottom plan view thereof;
FIG. 7 is a perspective view of a solar lawn light showing my new design;
FIG. 8 is another perspective view thereof; and,
FIG. 9 is a partial enlarged view of FIG. 7.
The broken lines in the figures are for the purposes of illustrating portions of the solar lawn light, which form no part of the claimed design.

(56) **References Cited**
U.S. PATENT DOCUMENTS

D517,717 S	3/2006	Sanoner	
D517,718 S	3/2006	Sanoner	
D517,719 S	3/2006	Sanoner	
D517,720 S	3/2006	Sanoner	
D541,969 S	5/2007	Bucher	
D551,791 S	9/2007	Sanoner	
D563,586 S	3/2008	Lee	
D574,535 S *	8/2008	Sanoner	D26/92
D610,285 S	2/2010	Sanoner	
D639,991 S *	6/2011	Chen	D26/68
D659,871 S	5/2012	Lee	
D678,580 S	3/2013	Rizzi	
D899,658 S *	10/2020	Wang	D26/67
D906,564 S *	12/2020	Wu	D26/67
D908,942 S *	1/2021	Pan	D26/68

1 Claim, 9 Drawing Sheets



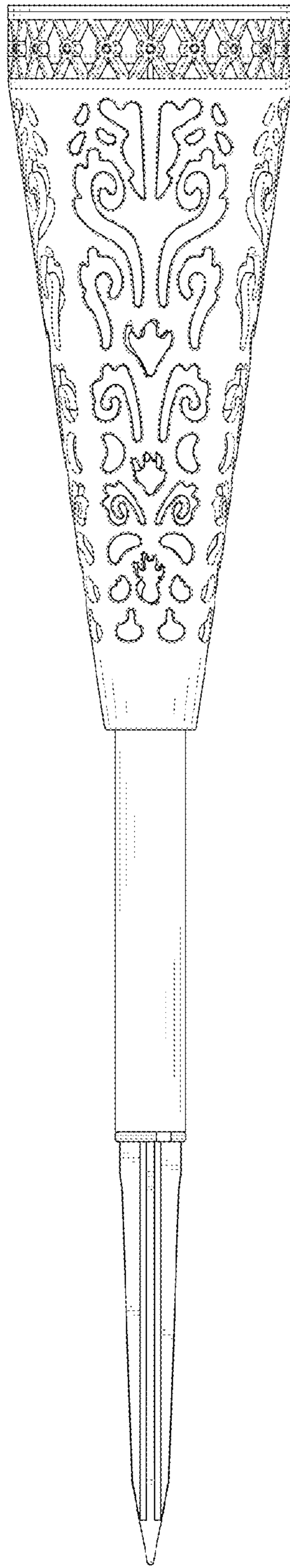


FIG. 1

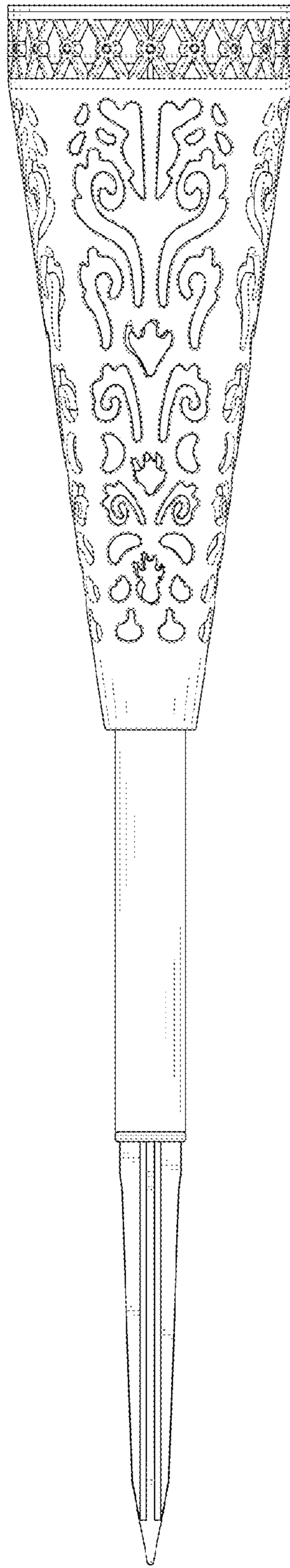


FIG. 2

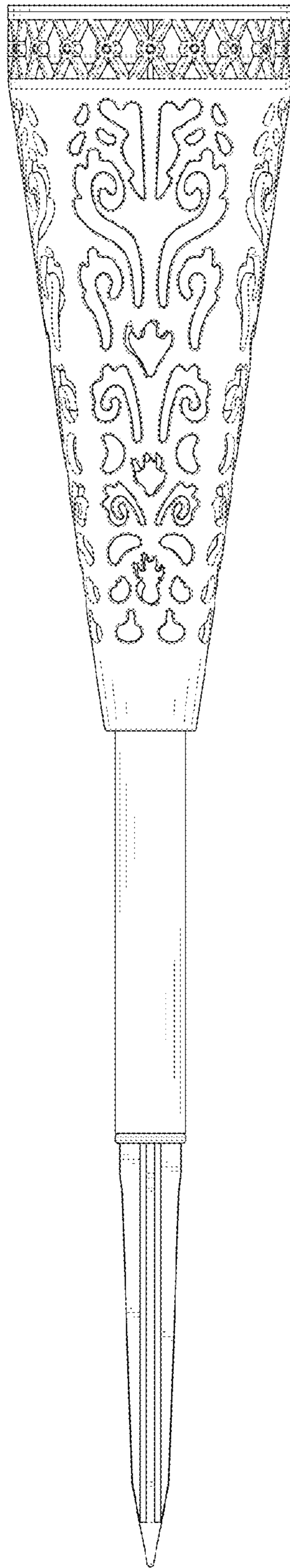


FIG. 3

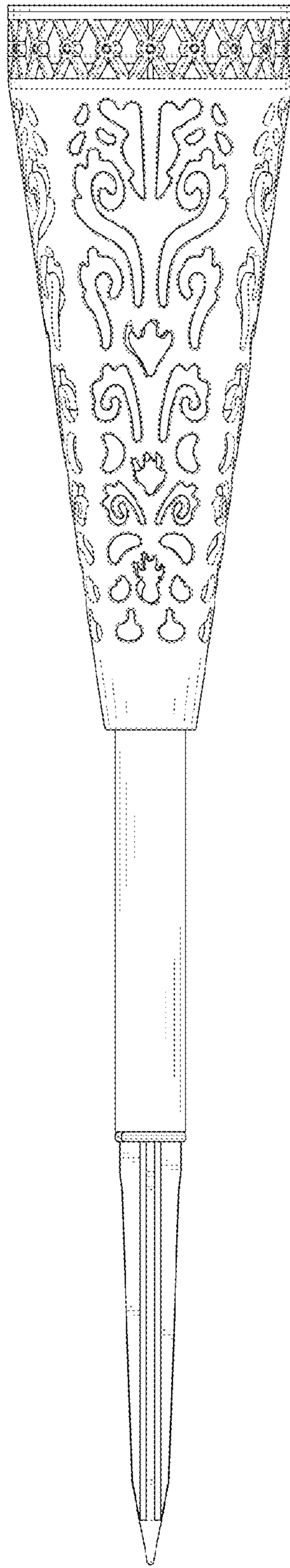


FIG. 4

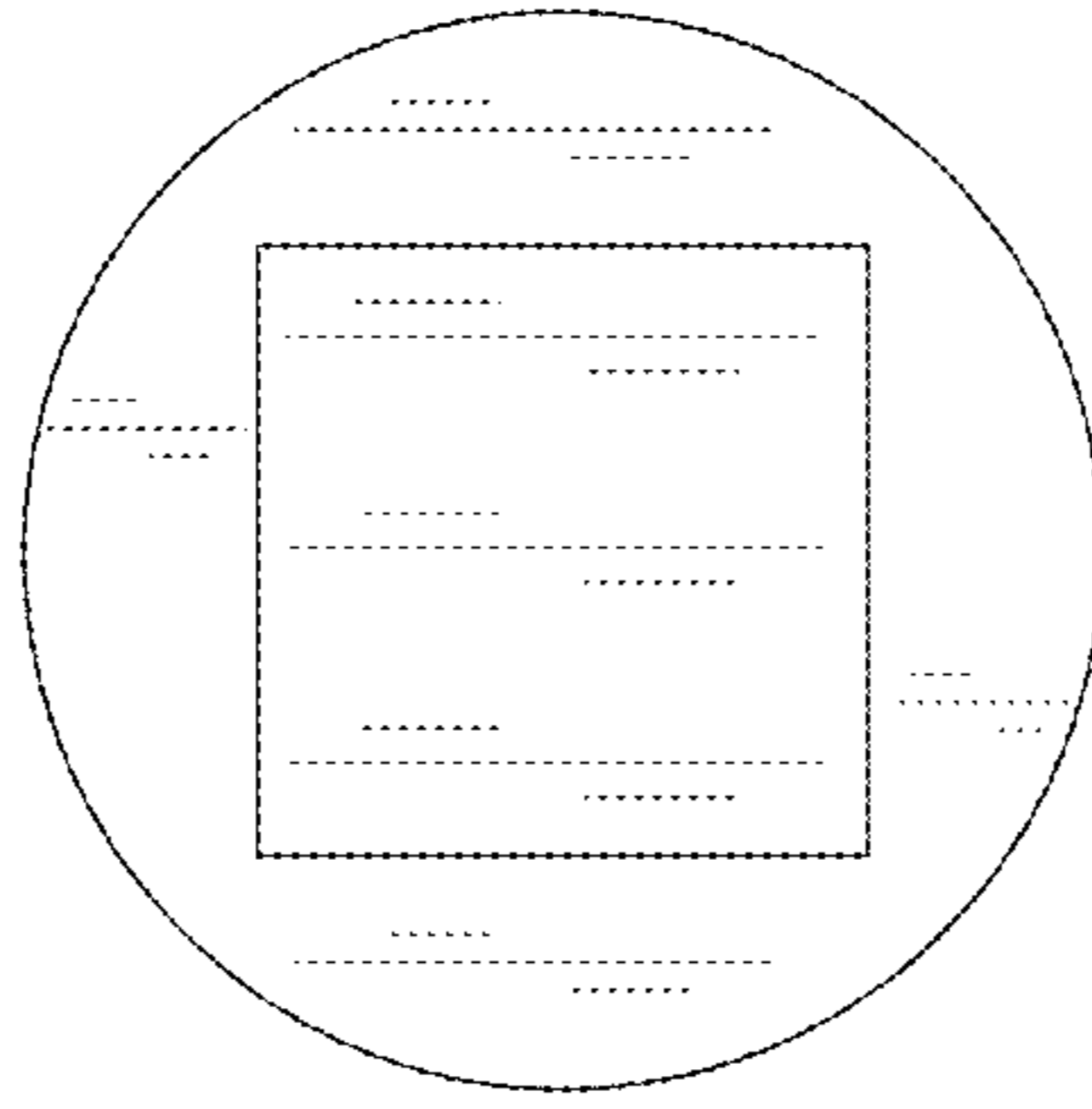


FIG. 5

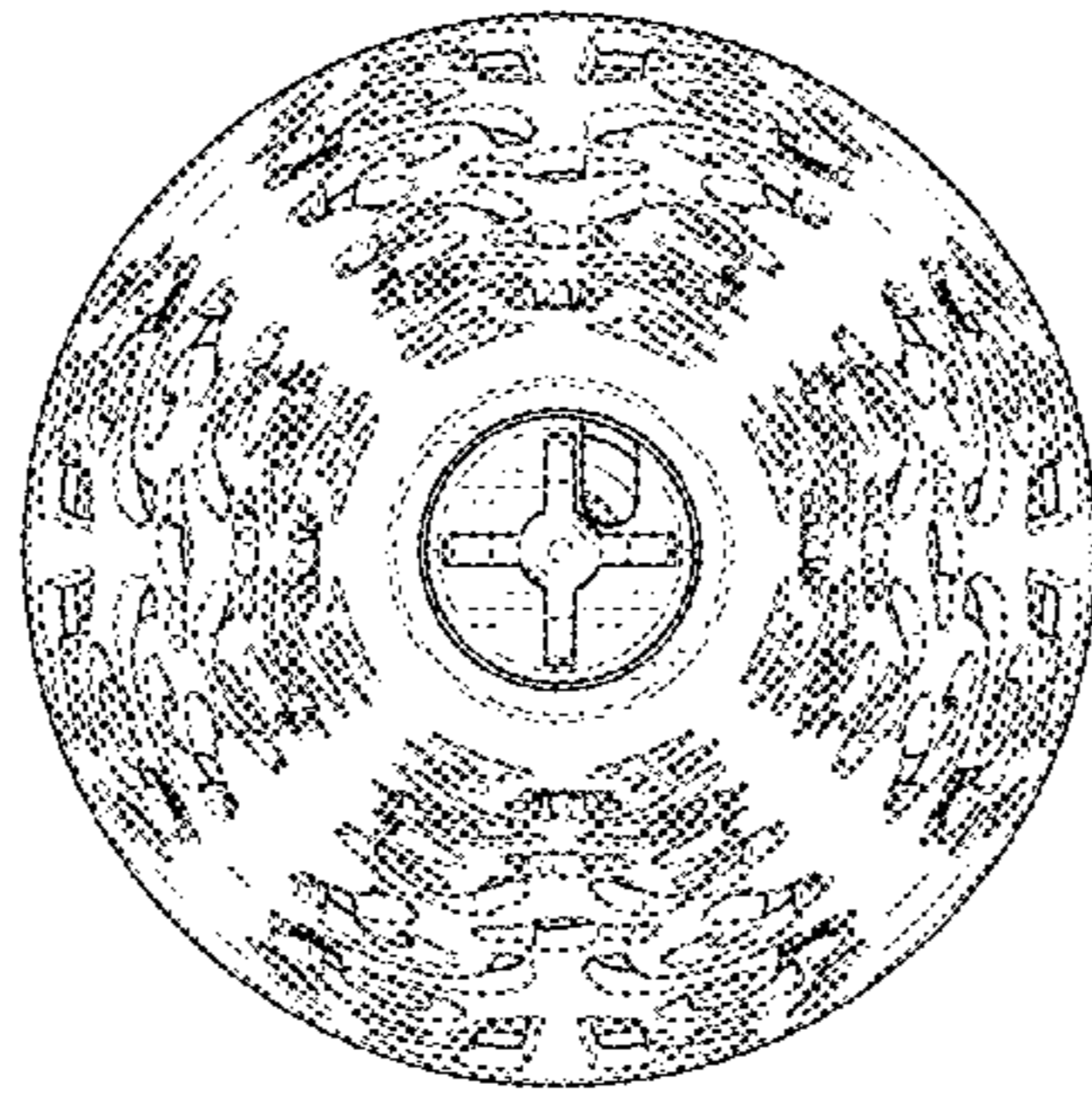


FIG. 6

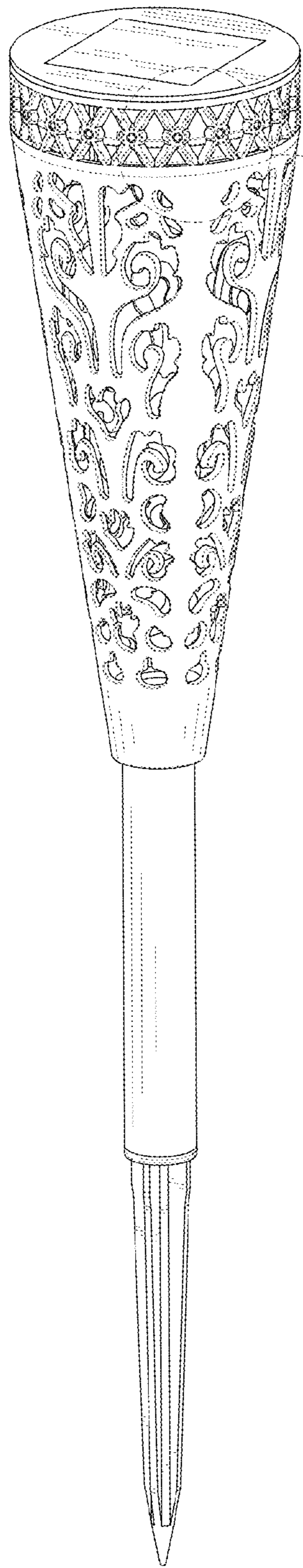


FIG. 9

FIG. 7

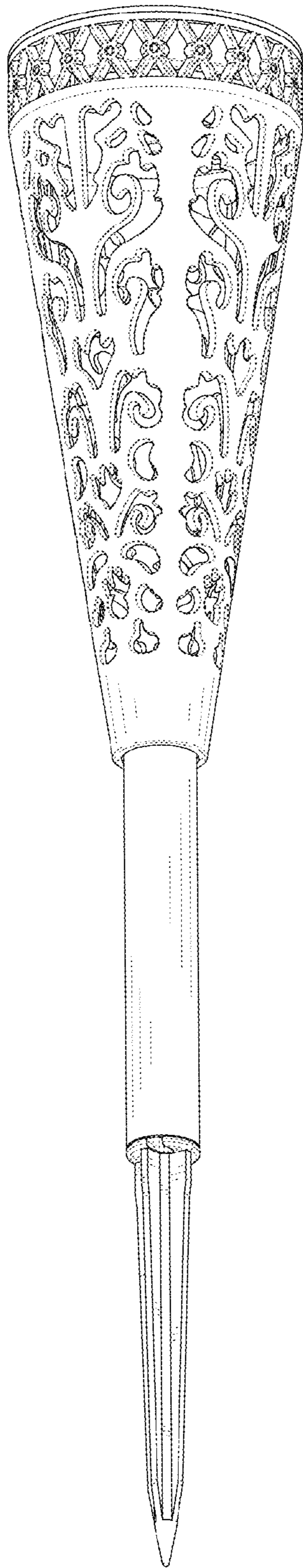


FIG. 8

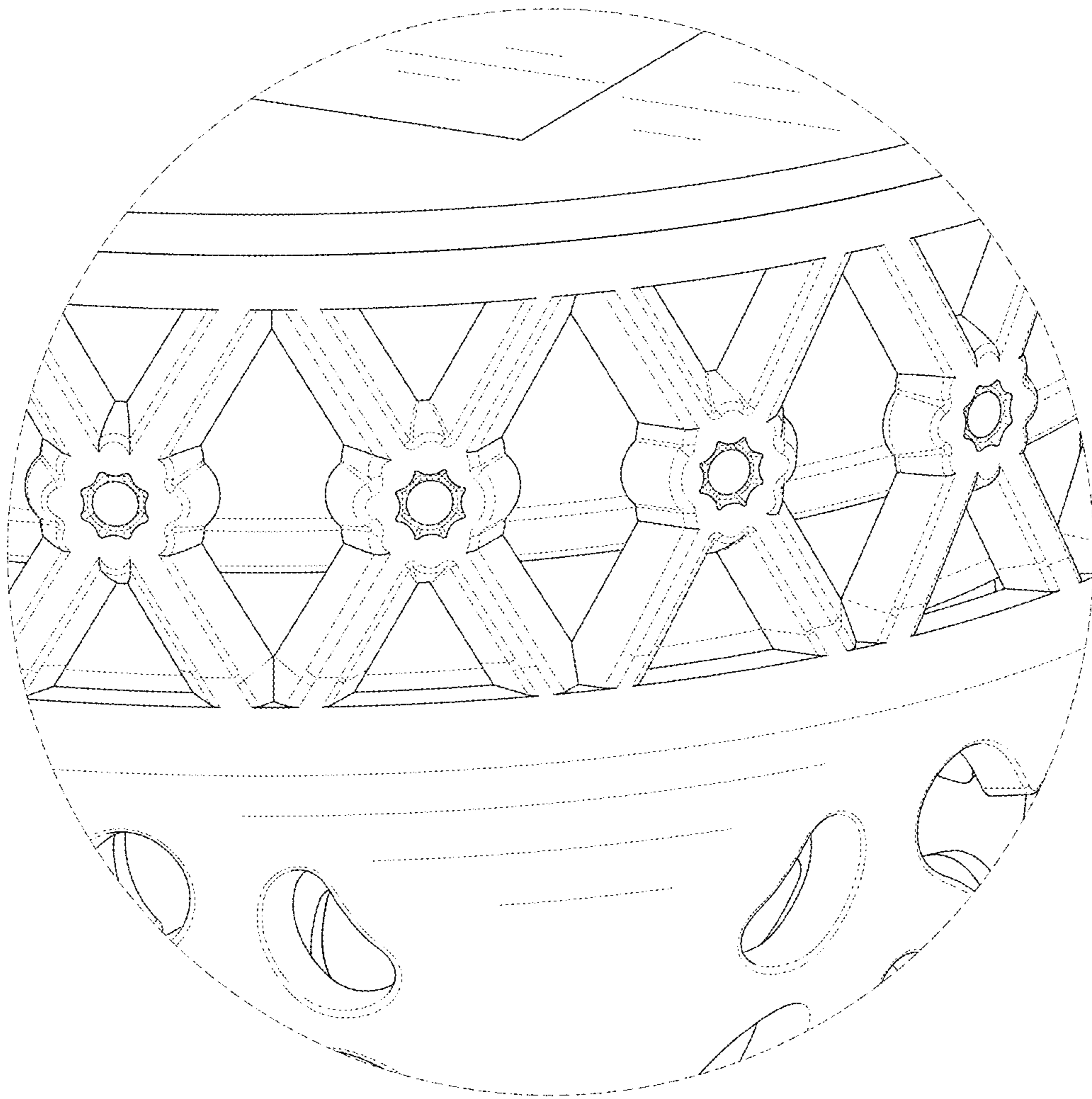


FIG. 9