



US00D968668S

(12) **United States Design Patent** (10) **Patent No.:** **US D968,668 S**
Xia (45) **Date of Patent:** **** Nov. 1, 2022**

(54) **LED READING LIGHT**

(71) Applicant: **Da Xia**, Wuhan (CN)

(72) Inventor: **Da Xia**, Wuhan (CN)

(**) Term: **15 Years**

(21) Appl. No.: **29/757,532**

(22) Filed: **Nov. 6, 2020**

(51) **LOC (13) Cl.** **26-05**

(52) **U.S. Cl.**
USPC **D26/60**

(58) **Field of Classification Search**

USPC D26/24, 60, 61, 62, 63, 64, 65, 66, 67,
D26/68, 72, 79, 37, 43, 46, 48, 49, 50
CPC F21K 9/00; F21K 9/20; F21L 4/00; F21L
4/005; F21L 4/06; F21S 9/00; F21S 9/02;
F21V 21/042; F21V 21/08; F21V 21/088

See application file for complete search history.

(56) **References Cited**

U.S. PATENT DOCUMENTS

D498,322 S	*	11/2004	Schnell	D26/60
D522,677 S	*	6/2006	Ming	D26/60
D824,580 S	*	7/2018	Hu	D26/107
D825,823 S	*	8/2018	Ren	D26/107
D838,888 S	*	1/2019	Shengbiao	D26/60
D861,944 S	*	10/2019	Wu	D26/60
D870,942 S	*	12/2019	Yang	D26/60
D899,654 S	*	10/2020	Zhou	D26/60
D901,739 S	*	11/2020	Wu	D26/60
D923,224 S	*	6/2021	Zhang	D26/60

FOREIGN PATENT DOCUMENTS

CN	306144572	*	10/2020
CN	306464514	*	4/2021
CN	306505375	*	4/2021
GB	6043741	*	9/2018

OTHER PUBLICATIONS

“Osaniion Book Lights” reference by MOONLED on Amazon.com, date first available Jul. 18, 2021 [online], site visited Jan. 6, 2022, available from internet URL: https://www.amazon.com/dp/B099QKM5NJ/ref=cm_sw_em_r_mt_dp_K7E0BM9MP1YZ4NY53G40 (Year: 2021).*

“New 2021 Amber Book Light” reference by Amber Light Store on Amazon.com, date first available Mar. 18, 2021 [online], site visited Jan. 6, 2022, available from internet URL: https://www.amazon.com/dp/B08ZD2QQB4/ref=cm_sw_em_r_mt_dp_CGTT7Z5M4D5W6D9H9C1F?_encoding=UTF8&psc=1 (Year: 2021).*

(Continued)

Primary Examiner — Marissa J Cash

Assistant Examiner — Liv C Anderson

(74) *Attorney, Agent, or Firm* — ScienBiziP, P.C.

(57) **CLAIM**

The ornamental design for a LED reading light, as shown and described.

DESCRIPTION

FIG. 1 is a front and top perspective view of a LED reading light, showing my design.

FIG. 2 is a rear and bottom perspective view thereof.

FIG. 3 is a front elevation view thereof.

FIG. 4 is a rear elevation view thereof.

FIG. 5 is a left side elevation thereof.

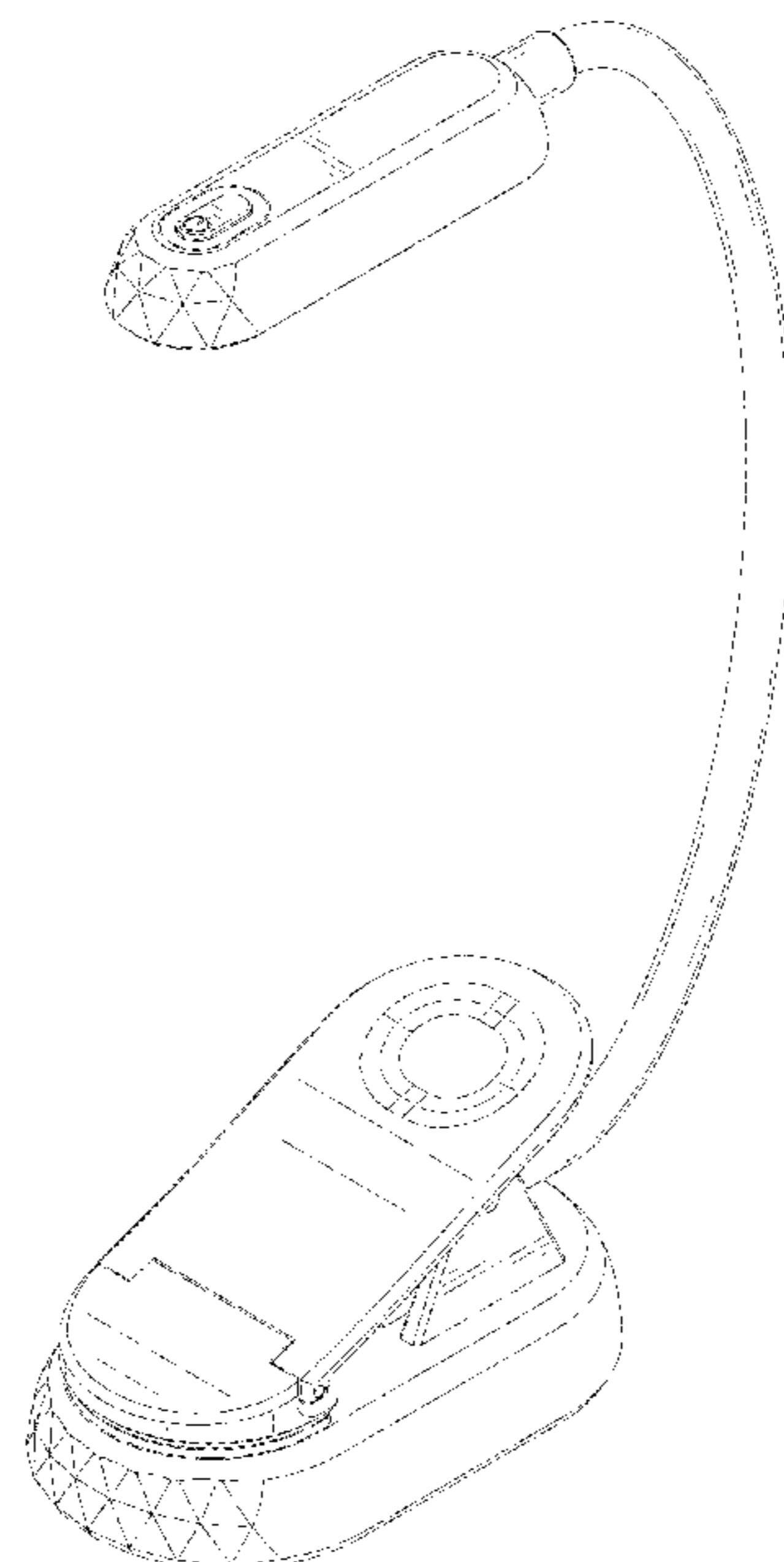
FIG. 6 is a right side elevation thereof.

FIG. 7 is a bottom plan view thereof; and,

FIG. 8 is a top plan view thereof.

The broken lines in the drawings depict portions of the LED reading light that form no part of the claimed design.

1 Claim, 8 Drawing Sheets



(56)

References Cited

OTHER PUBLICATIONS

“Fitlumin LED Book Light” reference by Safelumin on Amazon.com, date first available Jun. 5, 2018 [online], site visited Jan. 6, 2022, available from internet URL: https://www.amazon.com/dp/B07C6R7WY9/ref=cm_sw_em_r_mt_dp_X4X9K9EQFQW0V9T8XPZD (Year: 2018).*

“Book Light, Amber” reference by Hooga Health on Amazon.com, date first available Apr. 2, 2019 [online], site visited Jan. 6, 2022, available from internet URL: https://www.amazon.com/dp/B07Q87WJ7M/ref=cm_sw_em_r_mt_dp_6PZSEHQ2V7P40083HBVX?_encoding=UTF8&th=1 (Year: 2019).*

* cited by examiner

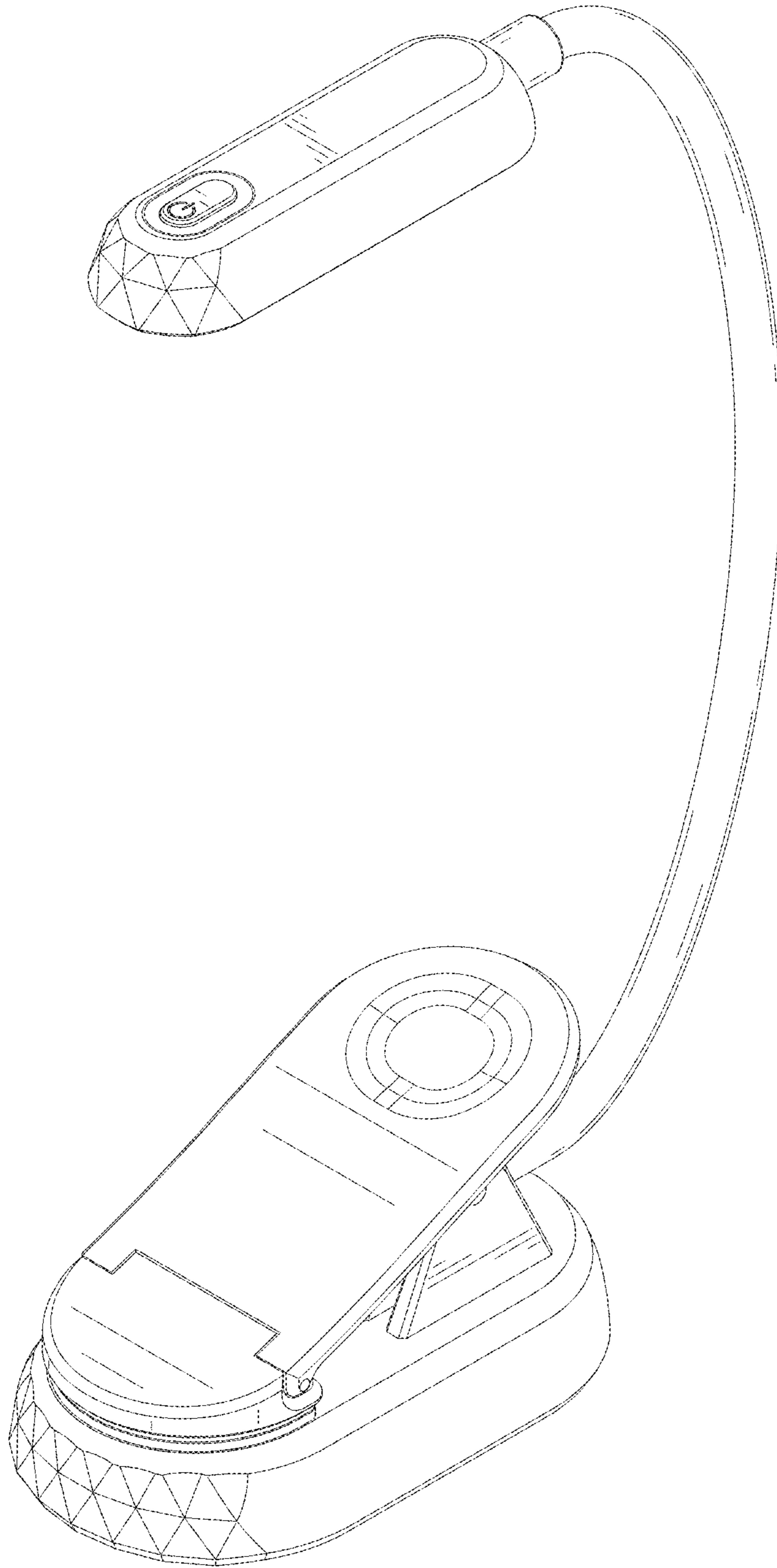


FIG. 1

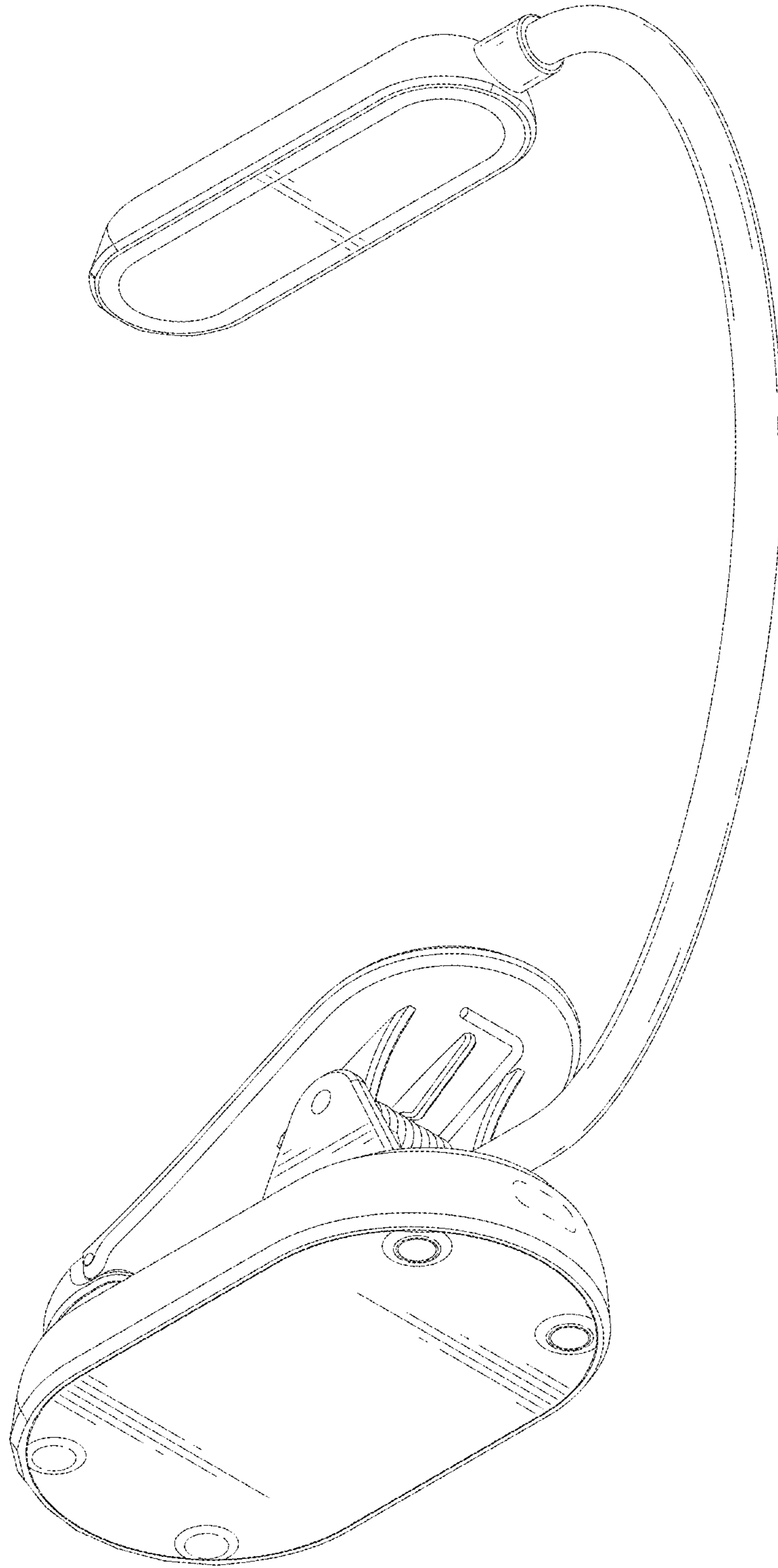


FIG.2

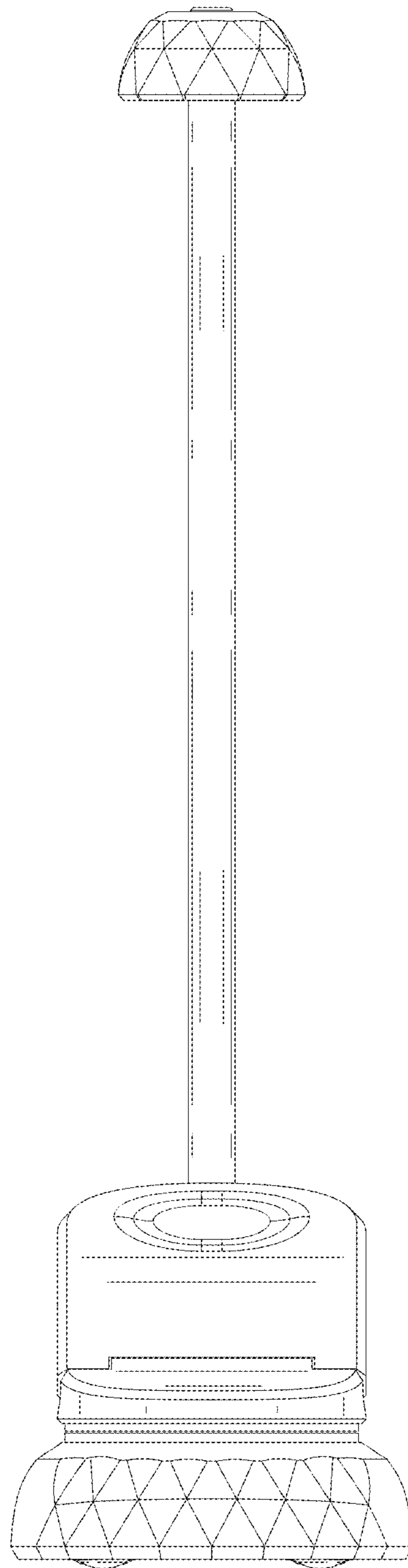


FIG.3

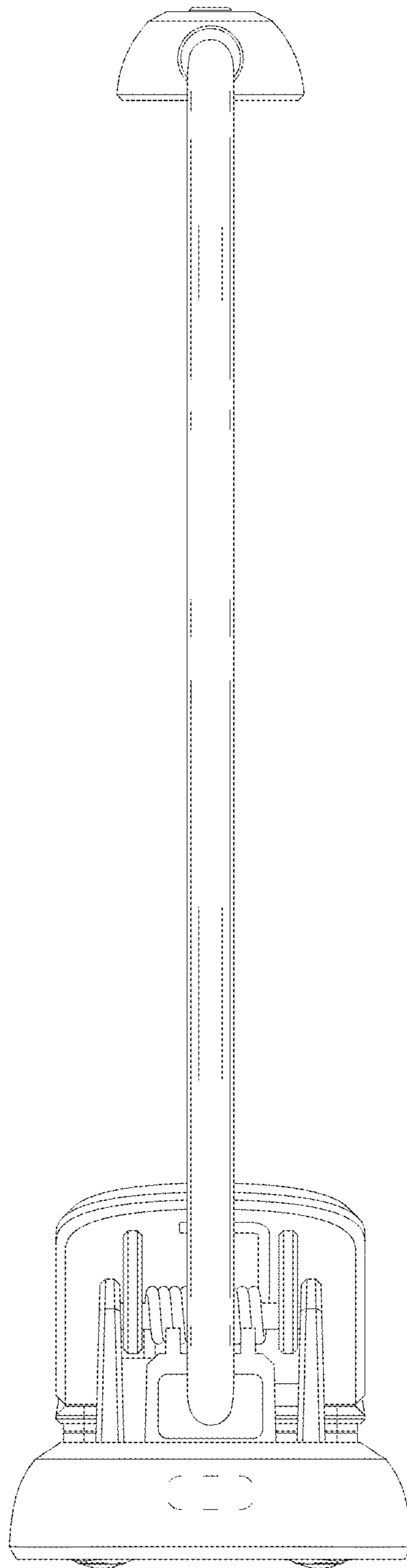


FIG.4

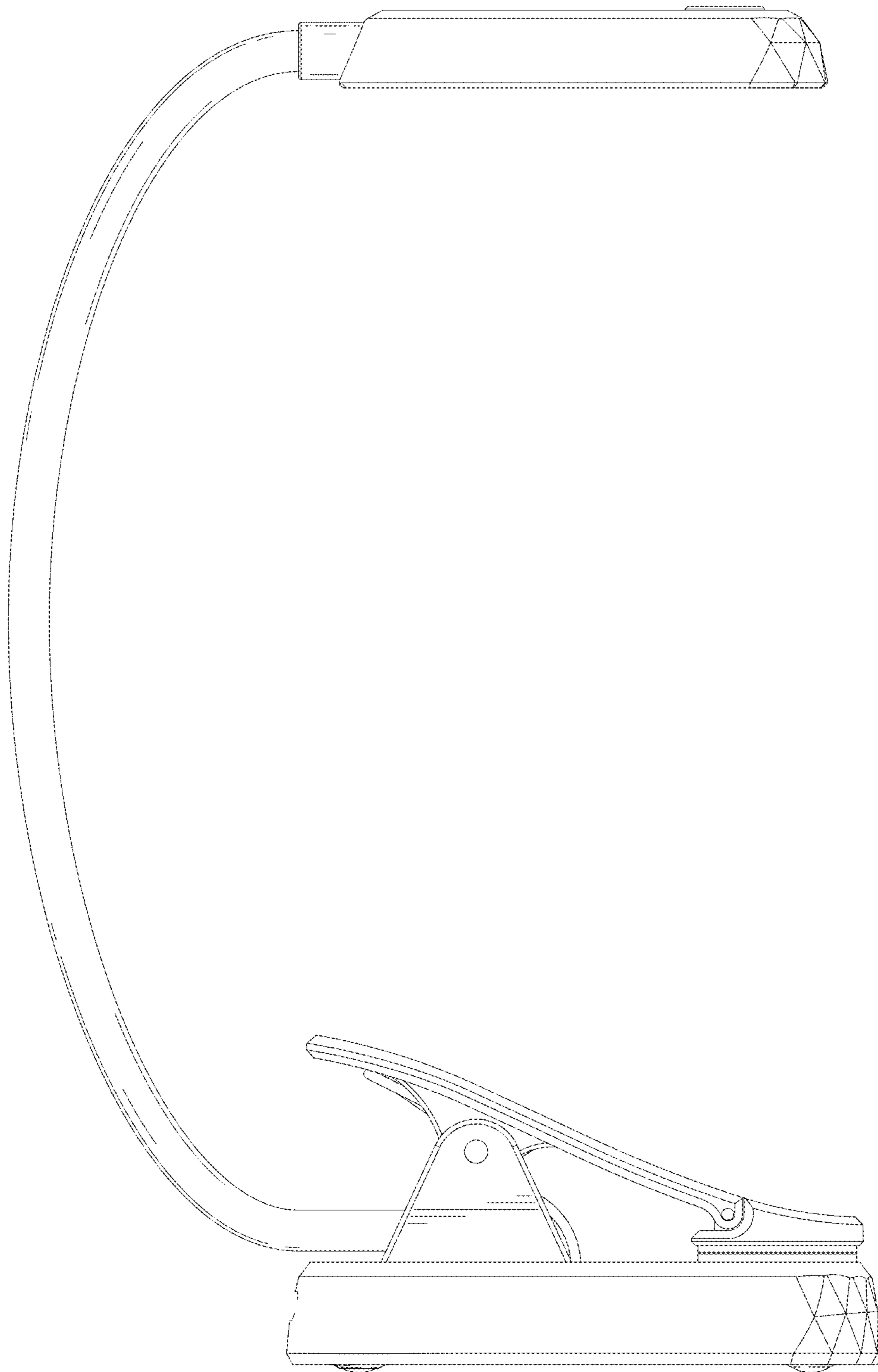


FIG.5

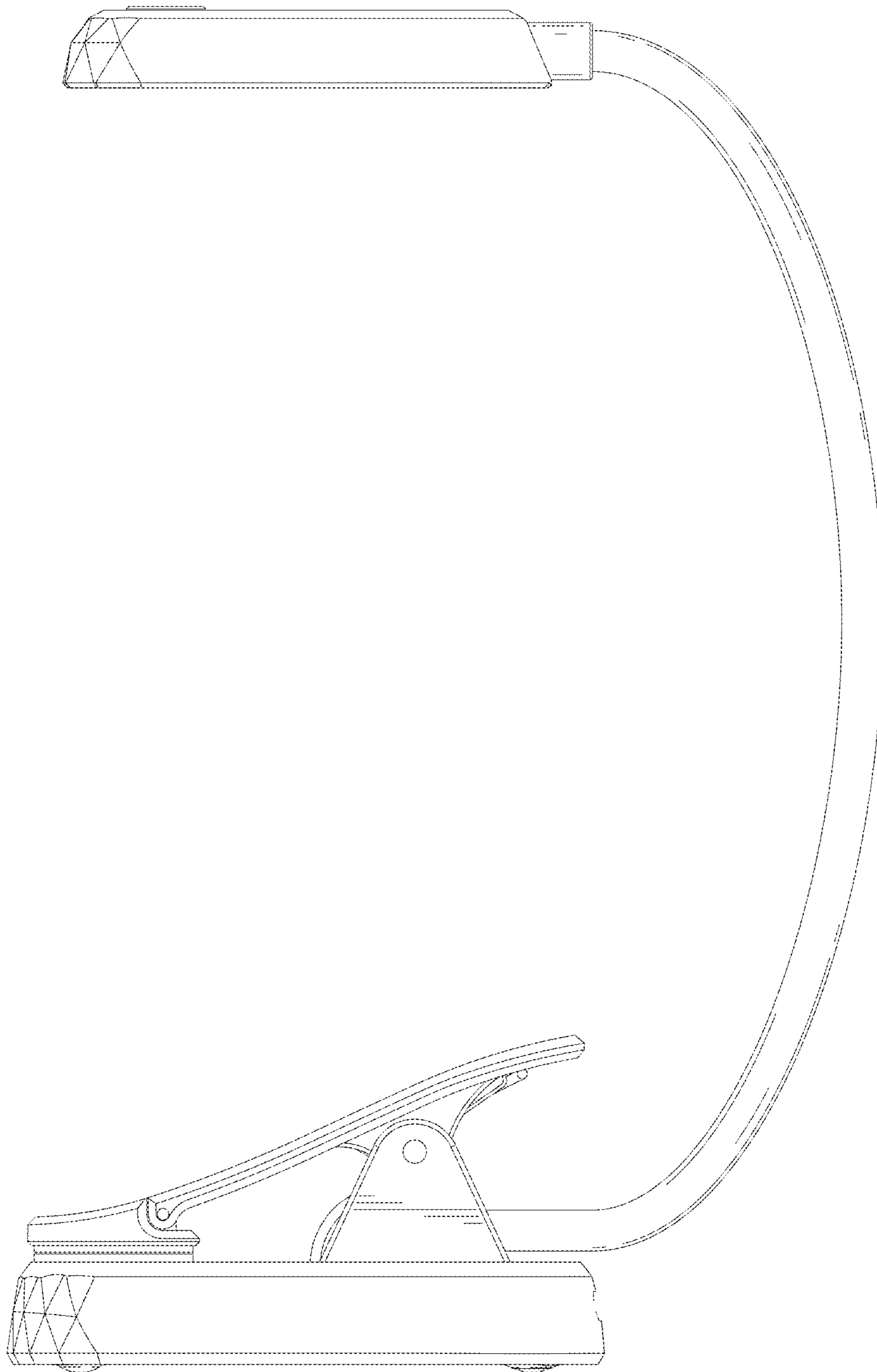


FIG.6

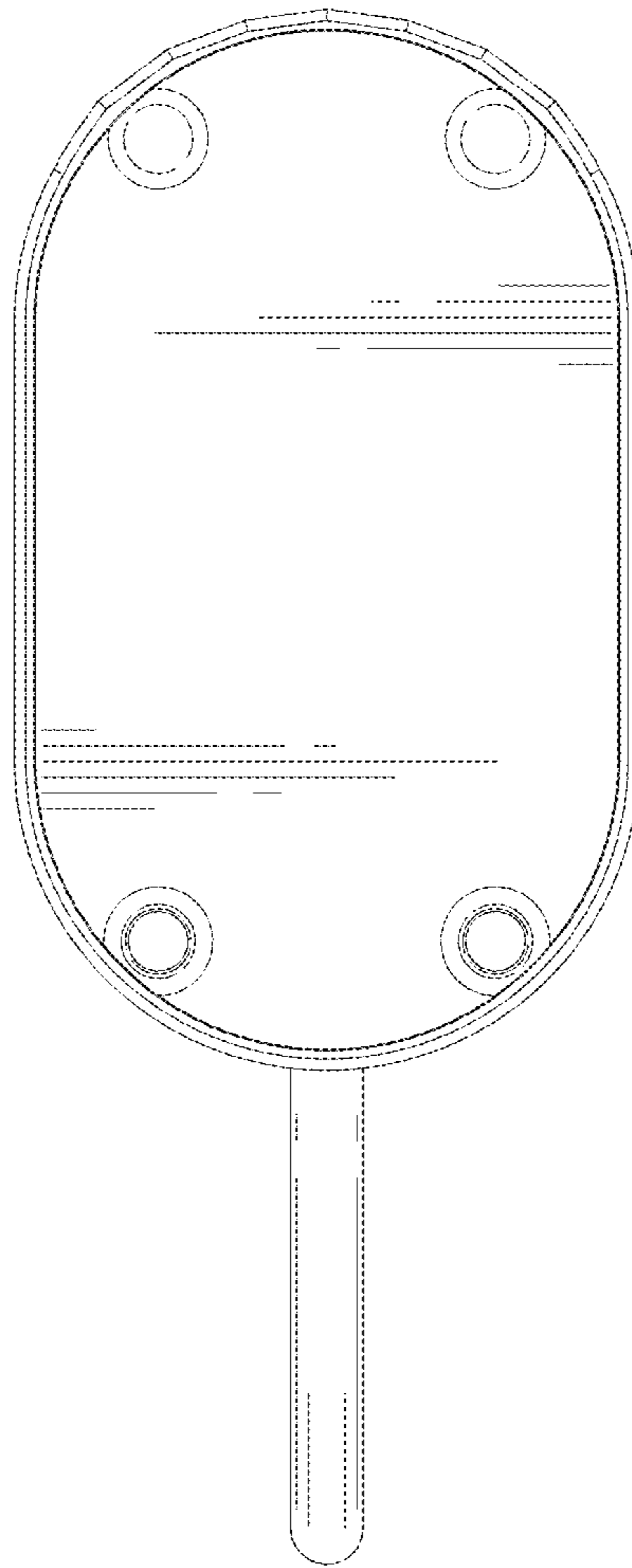


FIG. 7

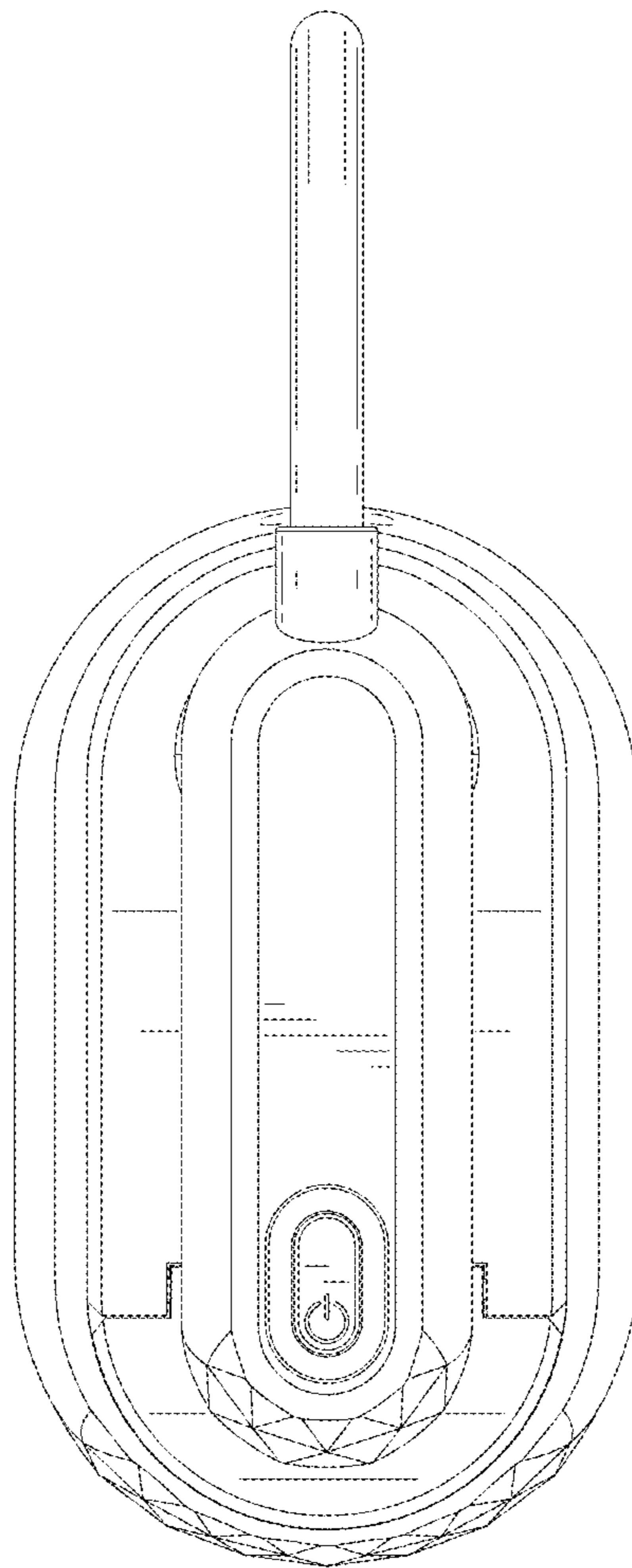


FIG. 8