



US00D968666S

(12) **United States Design Patent** (10) **Patent No.:** **US D968,666 S**
Tengjie (45) **Date of Patent:** **** Nov. 1, 2022**

(54) **LANTERN**

(74) *Attorney, Agent, or Firm* — Cozen O'Connor

(71) Applicant: **Cascade Mountain Technologies, LLC**, Issaquah, WA (US)

(57) **CLAIM**

(72) Inventor: **Cui Tengjie**, Ningbo (CN)

The ornamental design for a lantern, as shown and described.

(73) Assignee: **Cascade Mountain Technologies, LLC**, Snoqualmie, WA (US)

DESCRIPTION

(**) Term: **15 Years**

(21) Appl. No.: **29/714,908**

(22) Filed: **Nov. 26, 2019**

(30) **Foreign Application Priority Data**

May 28, 2019 (CN) 201930267389.X

(51) **LOC (13) Cl.** **26-02**

(52) **U.S. Cl.**
USPC **D26/40**

(58) **Field of Classification Search**
USPC D26/24, 37–52, 60, 63, 72, 93, 104–107,
D26/113, 118–119, 138

(Continued)

(56) **References Cited**

U.S. PATENT DOCUMENTS

D384,430 S * 9/1997 Lecluze D26/24
6,030,094 A 2/2000 Sedovic et al.

(Continued)

OTHER PUBLICATIONS

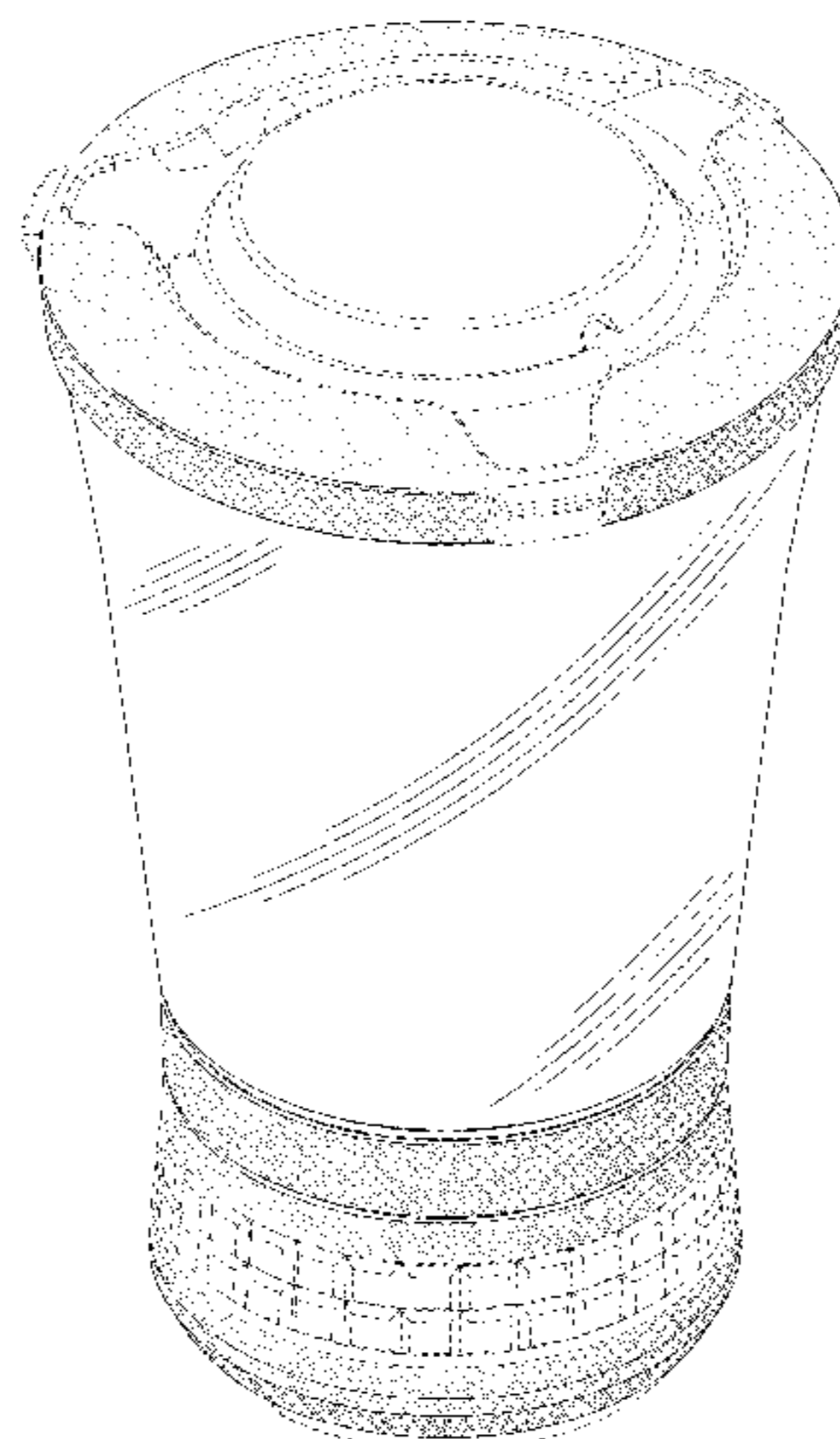
Compact LED Collapsible Lantern. By Cascade Mountain Tech. Dated Feb. 23, 2020. Found online [Jan. 12, 2022]. <https://cascademountaintech.com/products/compact-led-collapsible-lantern#shopify-product-reviews> (Year: 2020).*

(Continued)

Primary Examiner — Marissa J Cash
Assistant Examiner — William B Melliar

FIG. 1 is a top, front, right side perspective view of a lantern showing my new design in a closed configuration;
FIG. 2 is a bottom, rear, left side perspective view of the lantern illustrated in FIG. 1 in the closed configuration;
FIG. 3 is a front side elevation view of the lantern illustrated in FIG. 1 in the closed configuration;
FIG. 4 is a rear elevation view of the lantern illustrated in FIG. 1 in the closed configuration;
FIG. 5 is a left side elevation view of the lantern illustrated in FIG. 1 in the closed configuration;
FIG. 6 is a right side elevation view of the lantern illustrated in FIG. 1 in the closed configuration;
FIG. 7 is a top plan view of the lantern illustrated in FIG. 1 in the closed configuration;
FIG. 8 is a bottom plan view of the lantern illustrated in FIG. 1 in the closed configuration;
FIG. 9 is a top, front, right side perspective view of the lantern illustrated in FIG. 1 showing my new design in an opened configuration;
FIG. 10 is a bottom, rear, left side perspective view of the lantern illustrated in FIG. 1 in the opened configuration;
FIG. 11 is a front side elevation view of the lantern illustrated in FIG. 1 in the opened configuration;
FIG. 12 is a rear elevation view of the lantern illustrated in FIG. 1 in the opened configuration;
FIG. 13 is a left side elevation view of the lantern illustrated in FIG. 1 in the opened configuration;
FIG. 14 is a right side elevation view of the lantern illustrated in FIG. 1 in the opened configuration;
FIG. 15 is a top plan view of the lantern illustrated in FIG. 1 in the opened configuration; and,
FIG. 16 is a bottom plan view of the lantern illustrated in FIG. 1 in the opened configuration.

(Continued)



The dashed broken lines in the figures represent portions of the lantern that form no part of the claimed design. The additional dash-dot-dash lines depict the bounds of the claim and form no part thereof.

1 Claim, 14 Drawing Sheets

(58) Field of Classification Search

CPC F21Y 2115/10; F21L 19/00; F21L 4/027;
 F21L 26/00; F21V 23/0414; F21V 15/01;
 F21V 21/145; F21V 21/406; F21V 1/06;
 F21V 21/0885

See application file for complete search history.

(56) References Cited

U.S. PATENT DOCUMENTS

D429,354	S *	8/2000	Petterson	D26/40
6,305,820	B1	10/2001	Poon	
7,021,788	B2	4/2006	Poon	
D576,756	S *	9/2008	DeBrunner	D26/40
D610,283	S *	2/2010	Loi	D26/40
D617,480	S *	6/2010	DeBrunner	D26/40
D693,499	S *	11/2013	Bennett	D26/37
8,939,601	B1	1/2015	Lee	
D725,300	S	3/2015	Dalton	
9,217,547	B2	12/2015	Sharrah	

9,347,627	B2	5/2016	Sharrah	
9,683,712	B2	6/2017	Trittis et al.	
D803,190	S *	11/2017	Lee	D14/216
9,936,814	B2	4/2018	Alder et al.	
D846,168	S	4/2019	Badici	
D900,366	S *	10/2020	Bertken	D26/40
2013/0242545	A1	9/2013	Bortolotti et al.	

OTHER PUBLICATIONS

Fenix CL30R LED Camping Lantern. By Fenix. Dated Nov. 9, 2016. Found online [Jan. 12, 2022]. <https://www.fenix-store.com/fenix-cl30r-led-camping-lantern/> (Year: 2016).*

Coleman 360 Sound and Light Lantern. By Coleman. Dated Mar. 1, 2018. Found online [Jan. 12, 2022]. <https://www.amazon.com/Coleman-360%C2%B0-Sound-Light-Lantern/dp/B079PFTRBZ/> (Year: 2018).*

“Etekcity 30 Ultra Bright LED Collapsible Lantern” YouTube, Dated: May 22, 2019, 6 pages.

“Etekcity Ultra Bright Portable Camping Lantern”, YouTube, Dated: May 22, 2019, 6 pages.

Divine LEDs and Fulfilled by Amazon.com: “Ultra Bright LED Lantern—Best Seller—Camping Lantern—Collapses_Suitable for Hiking . . .”, Oct. 22, 2014, 4 pages.

Eddie Bauer, “Lighting”, 2019, 3 pages.

Etekcity.com “Collapsible LED Lantern for Home & Outdoor and Emergency Use”, Dated: May 22, 2019, 3 pages.

* cited by examiner

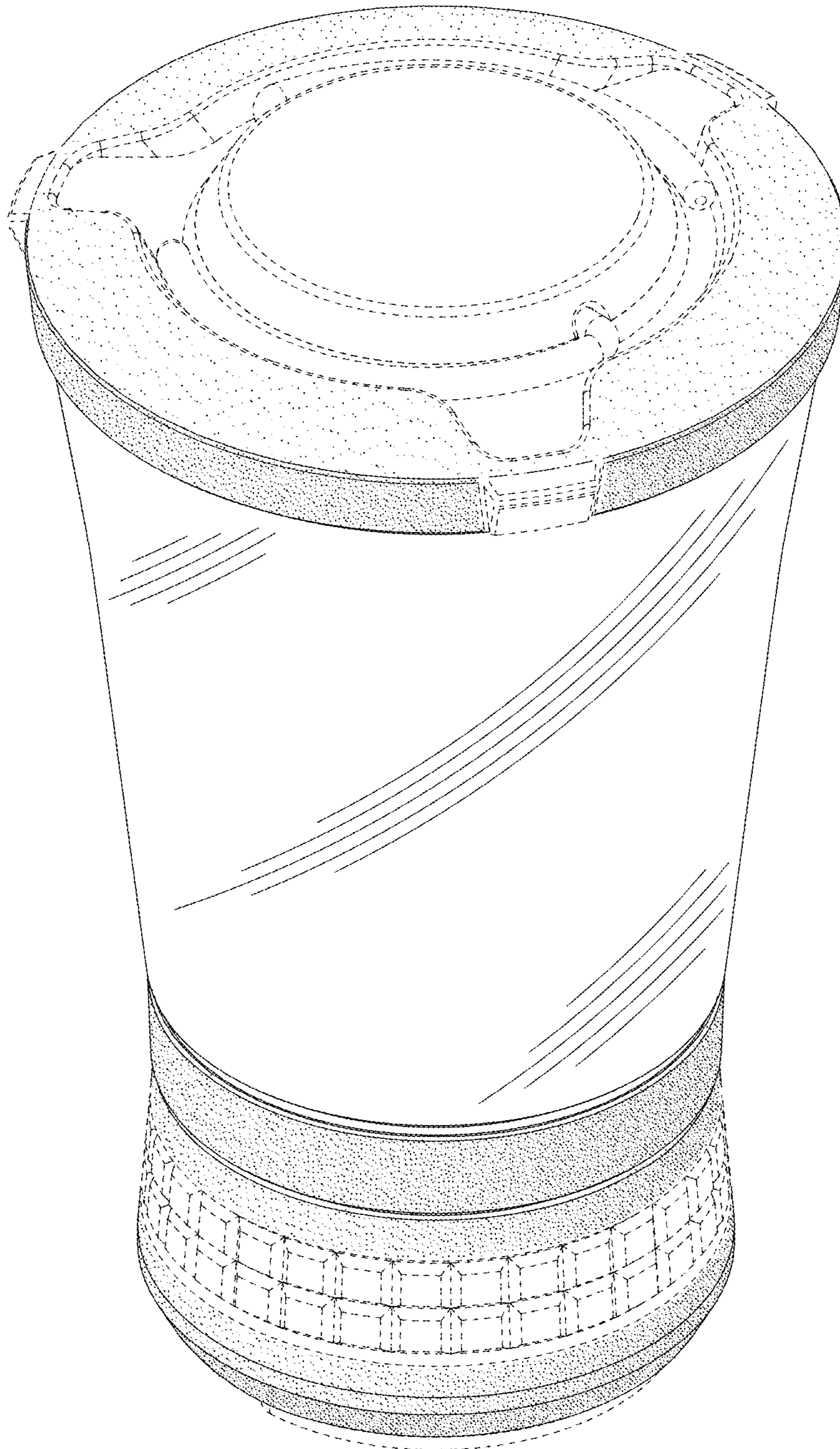


FIG. 1

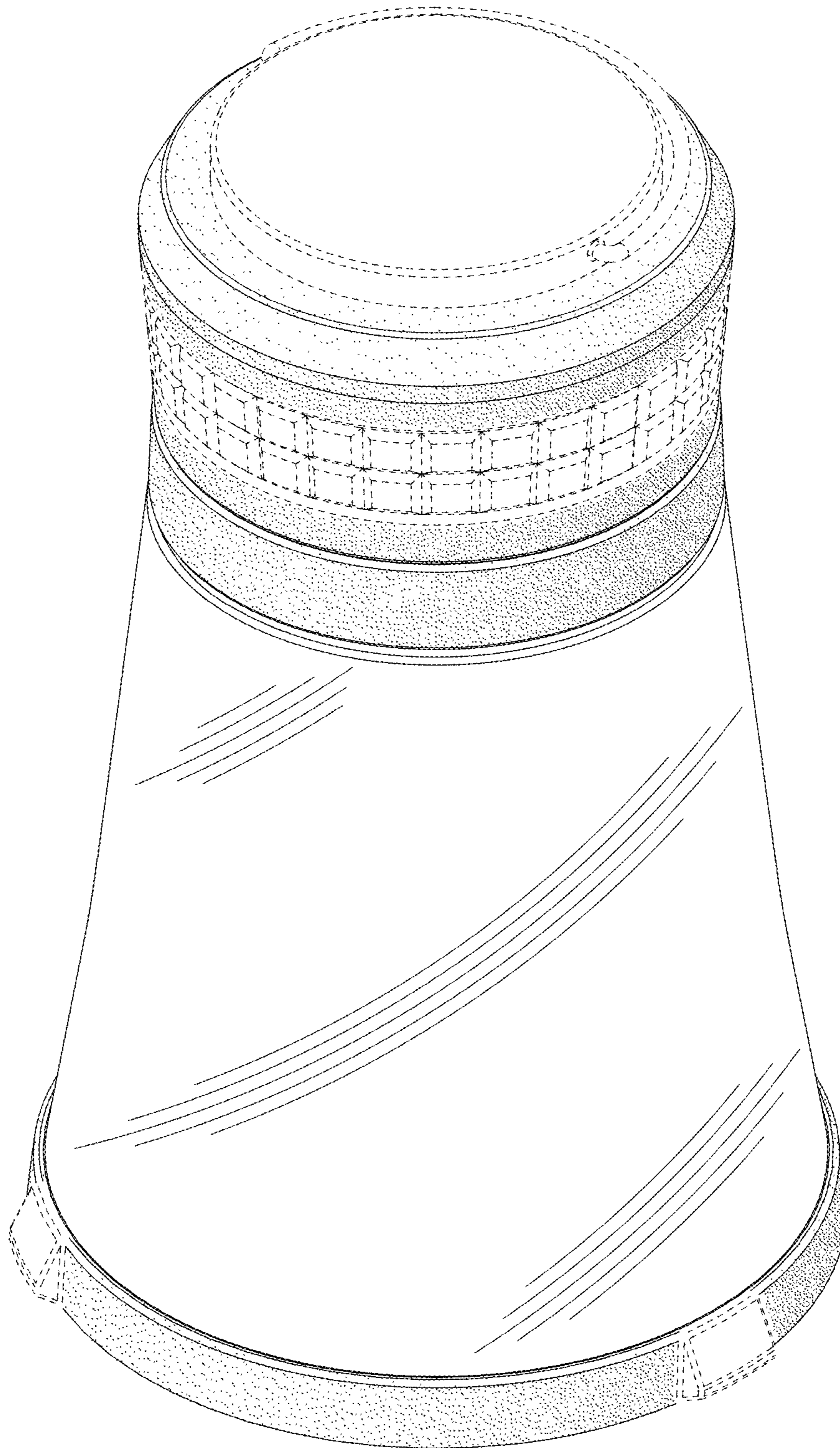


FIG. 2

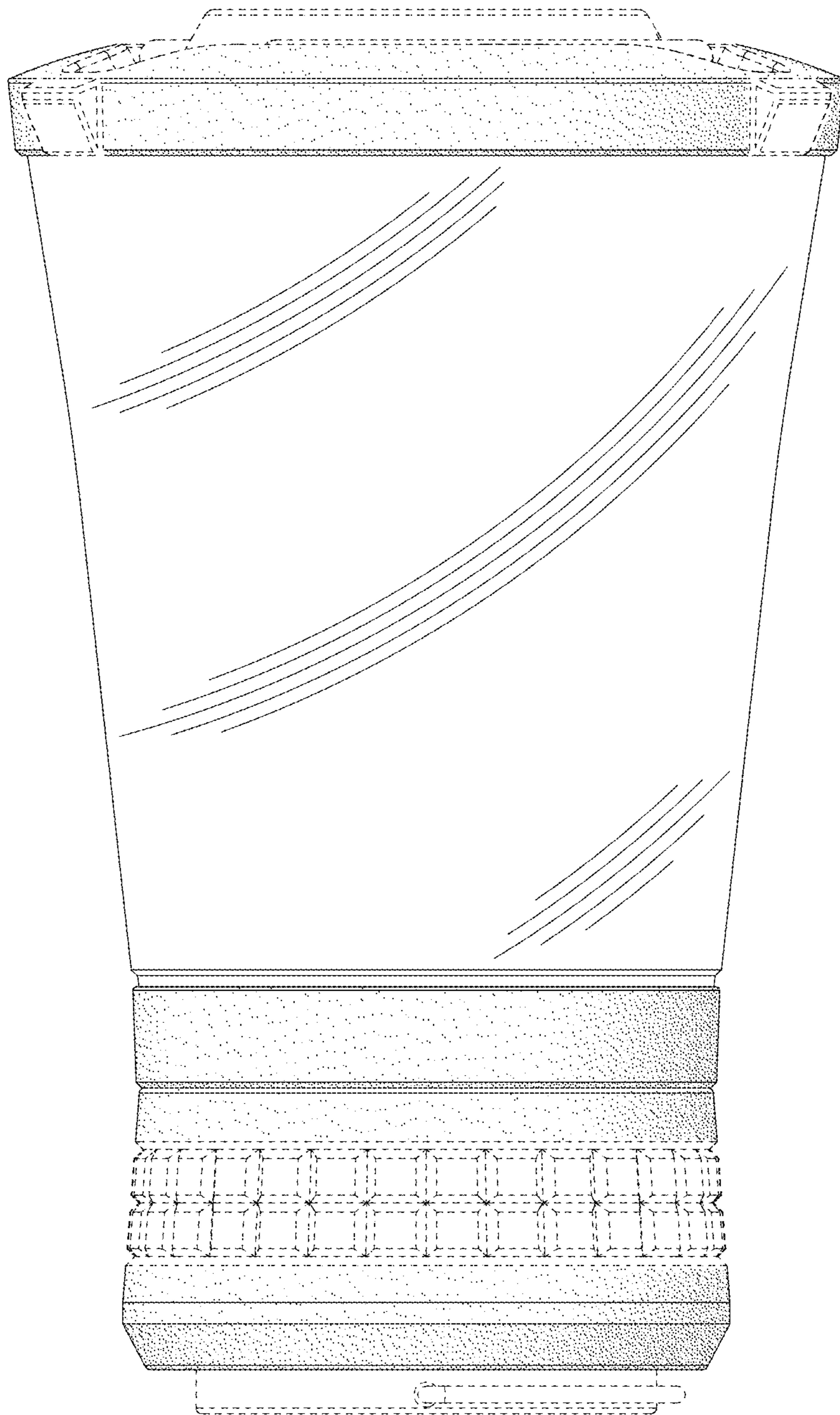


FIG. 3

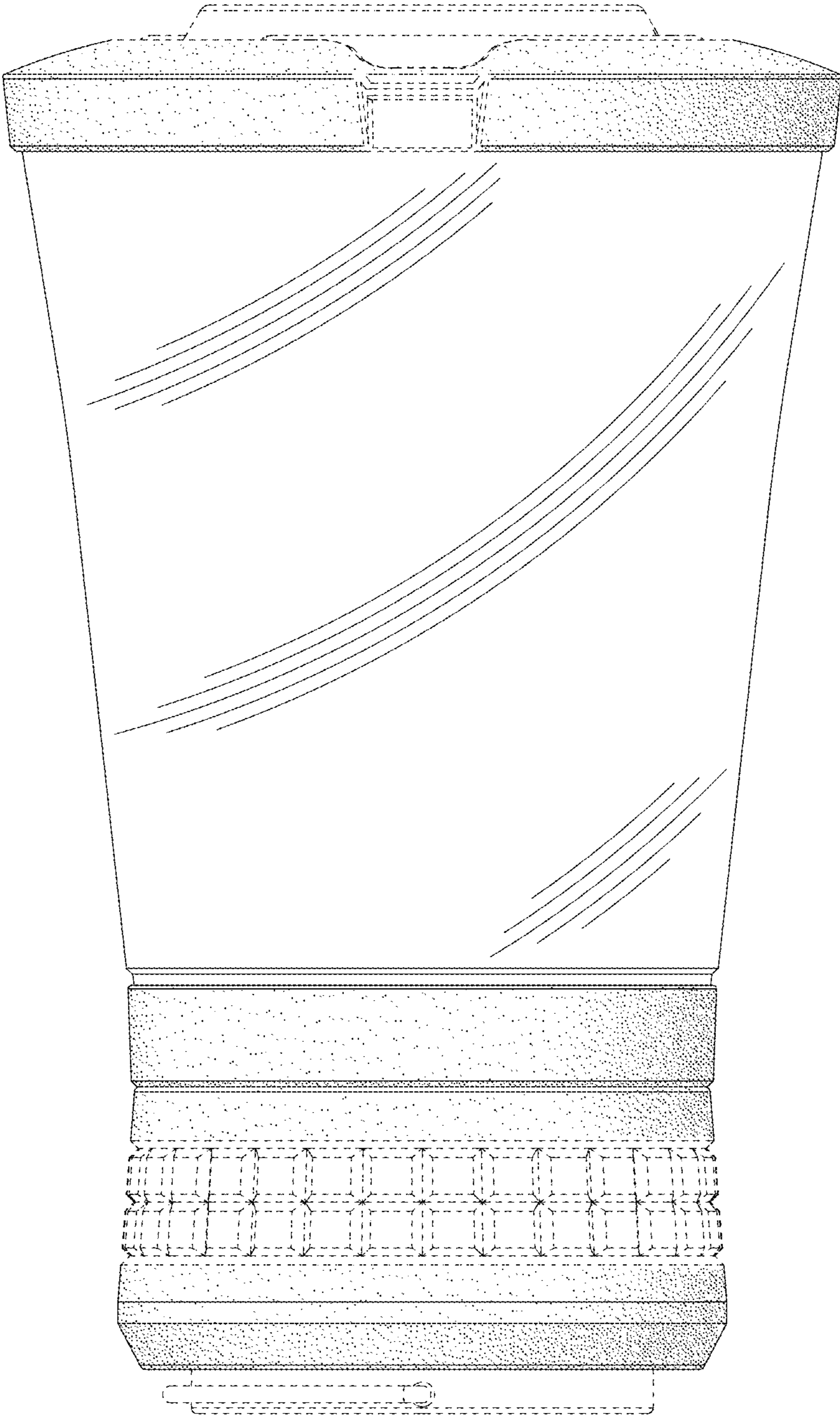


FIG. 4

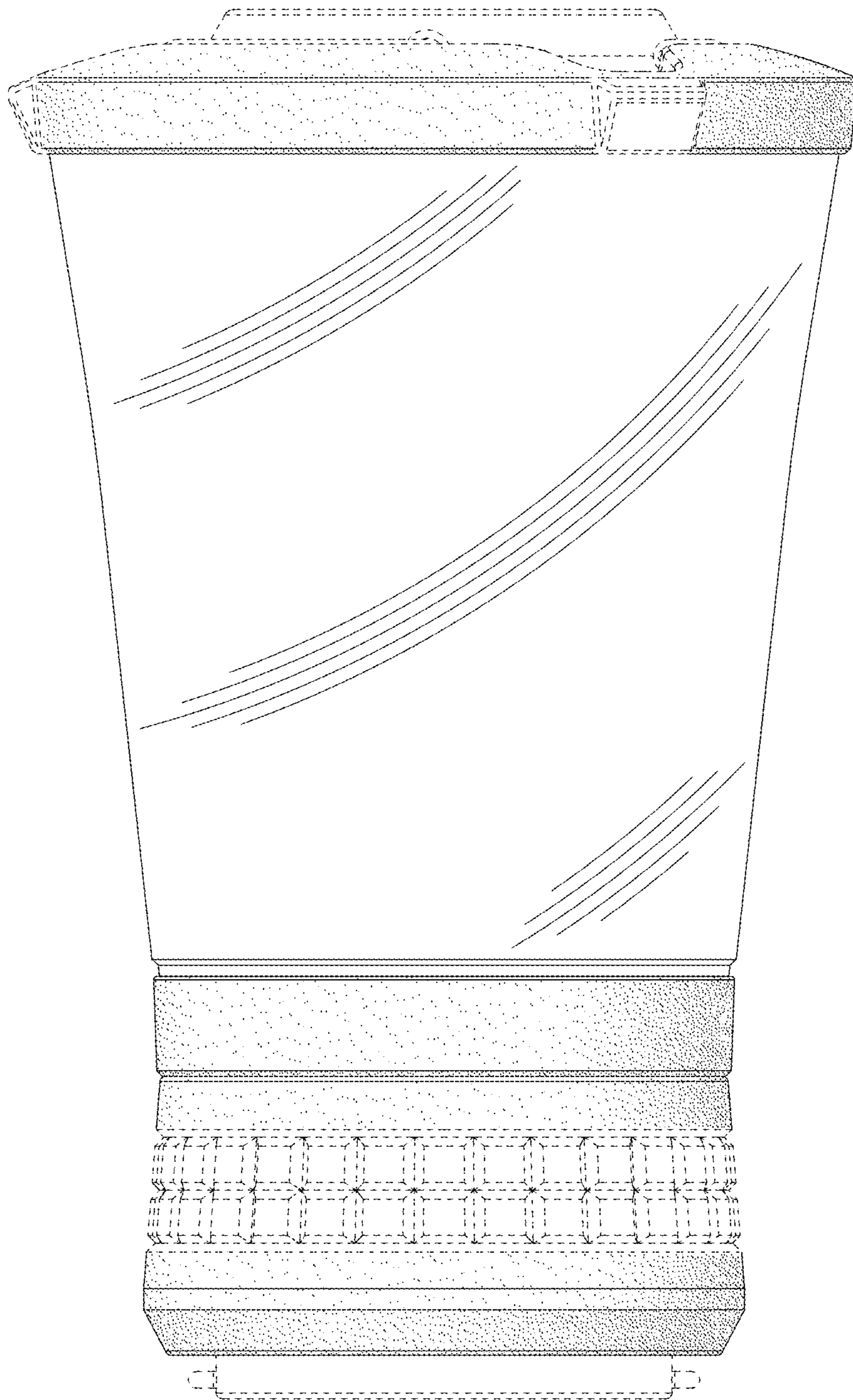


FIG. 5

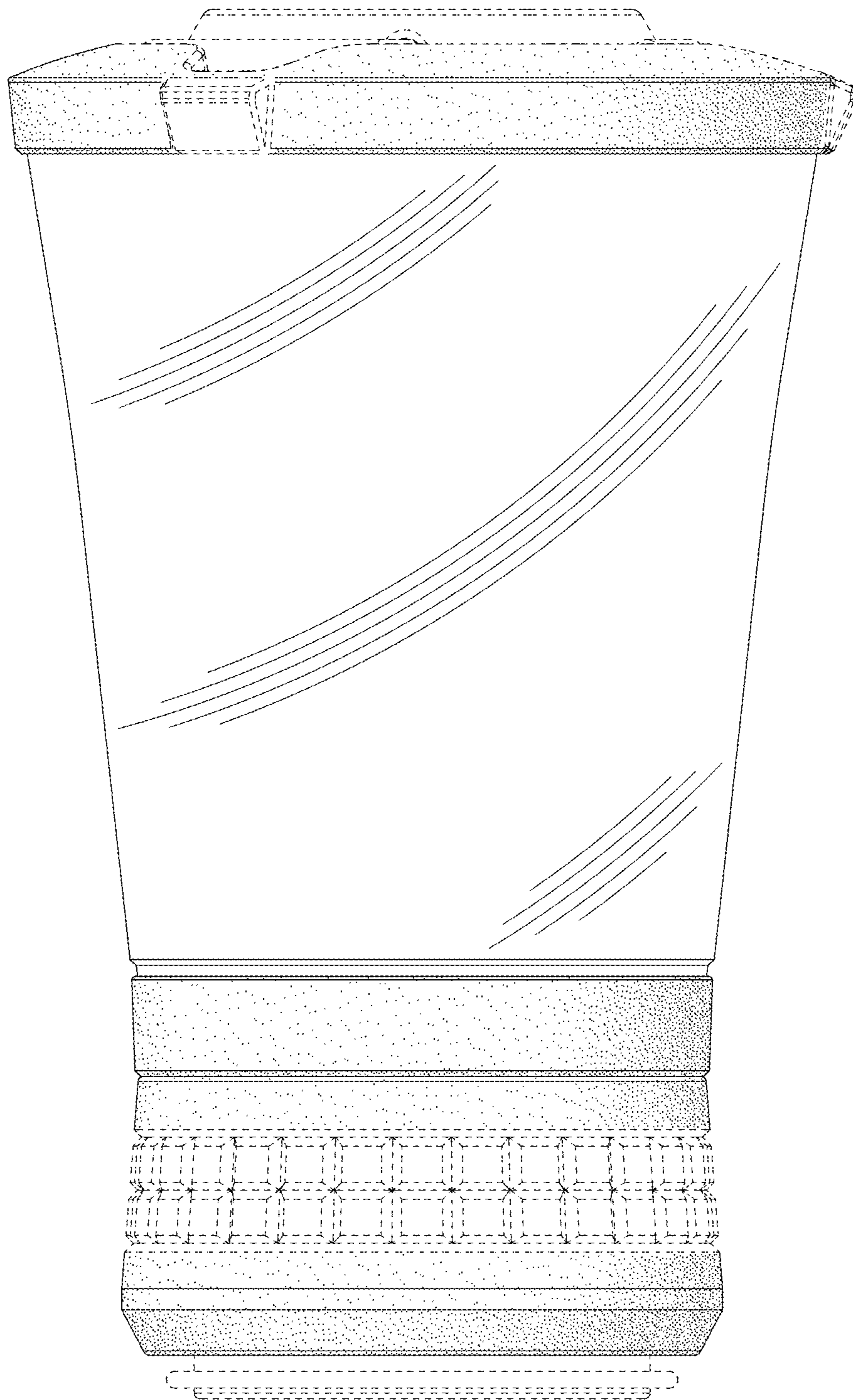


FIG. 6

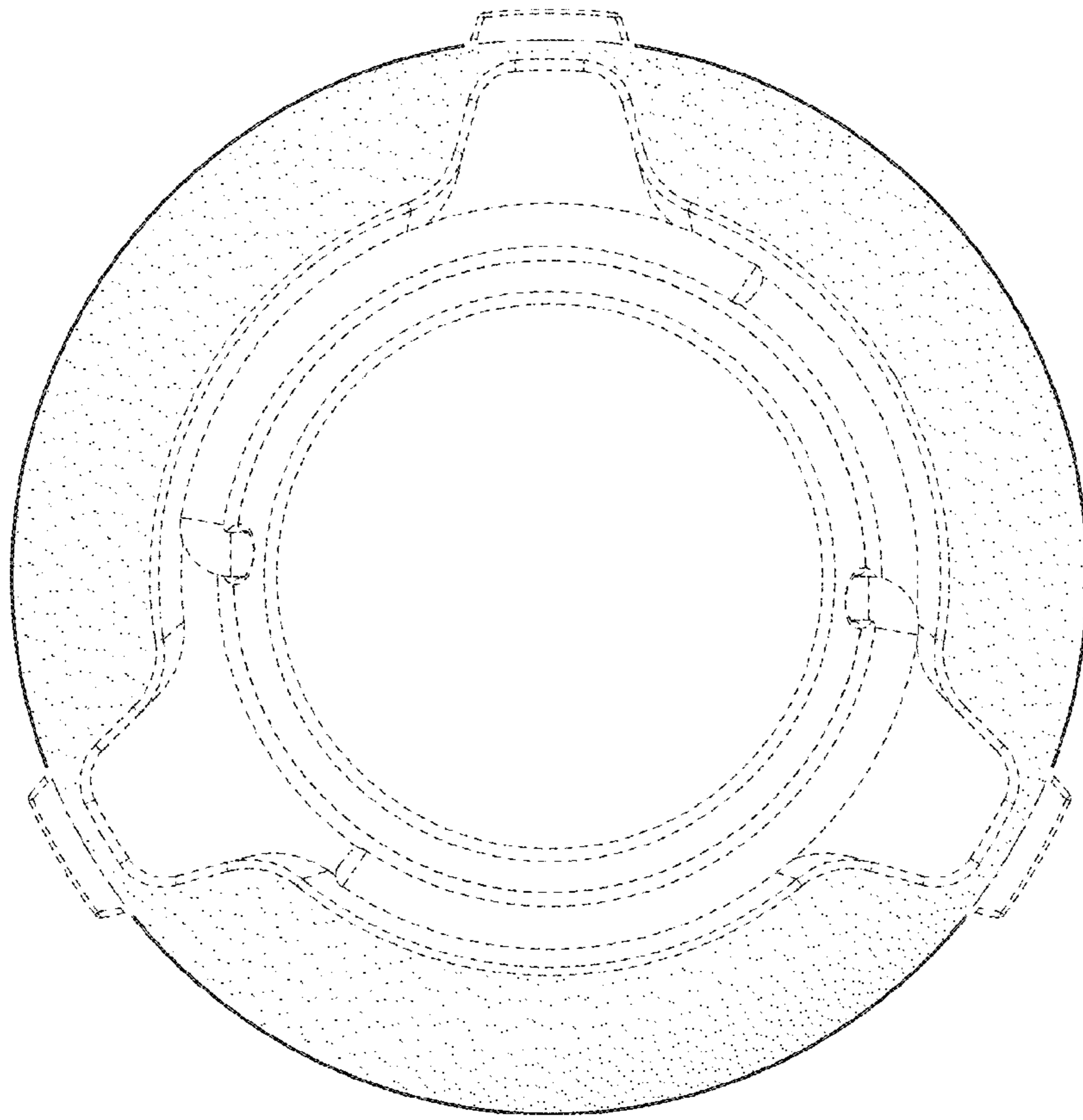


FIG. 7

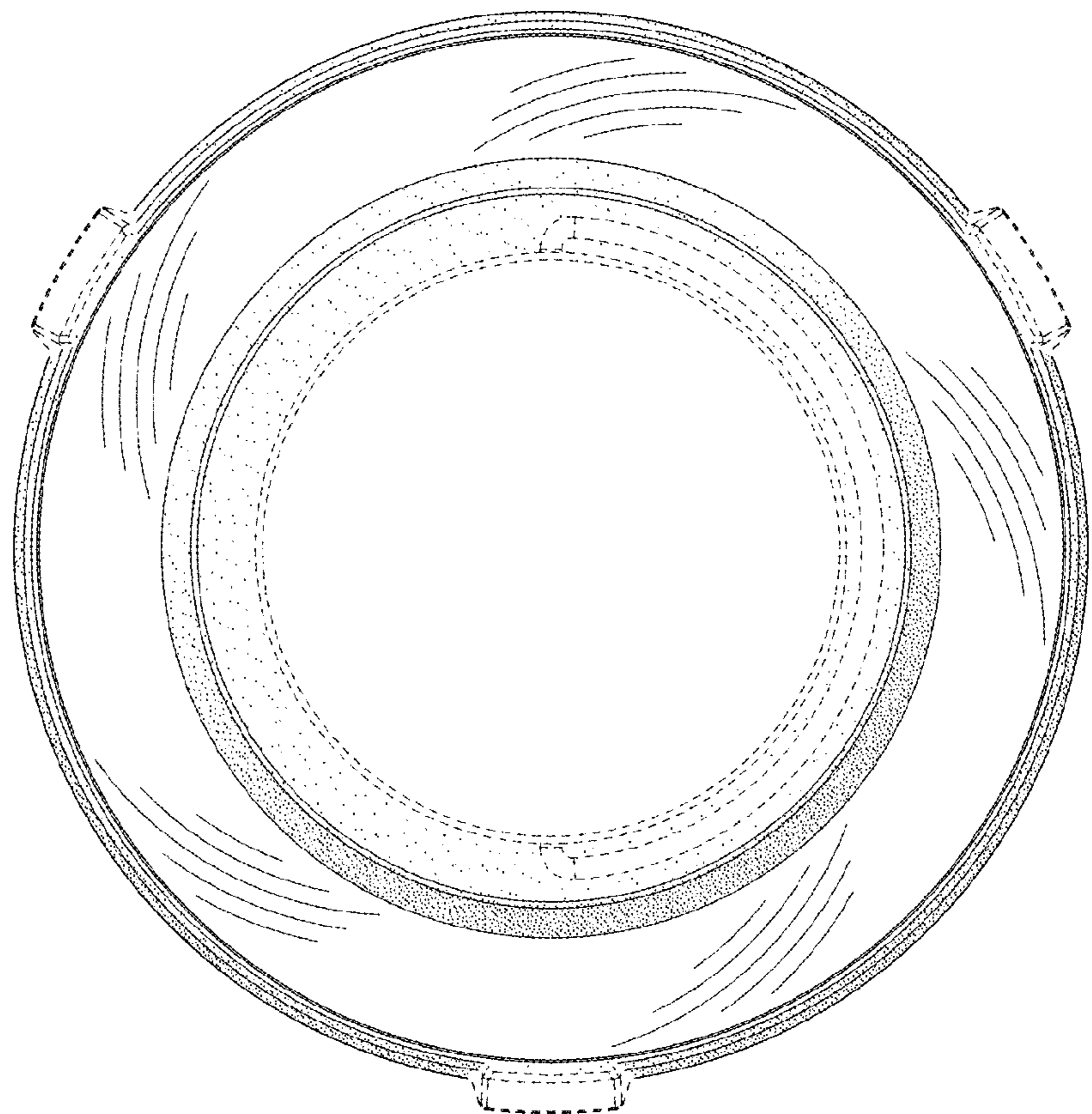


FIG. 8

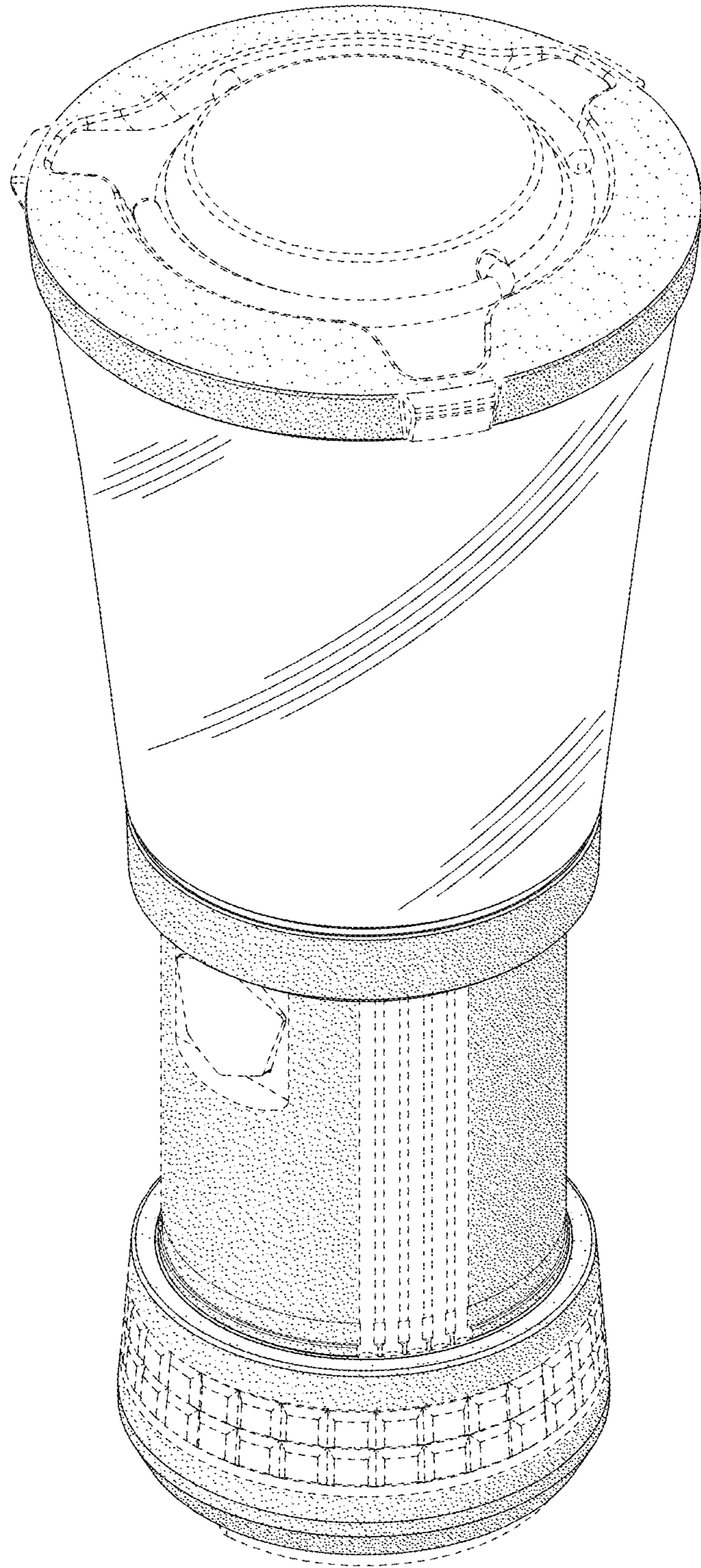


FIG. 9

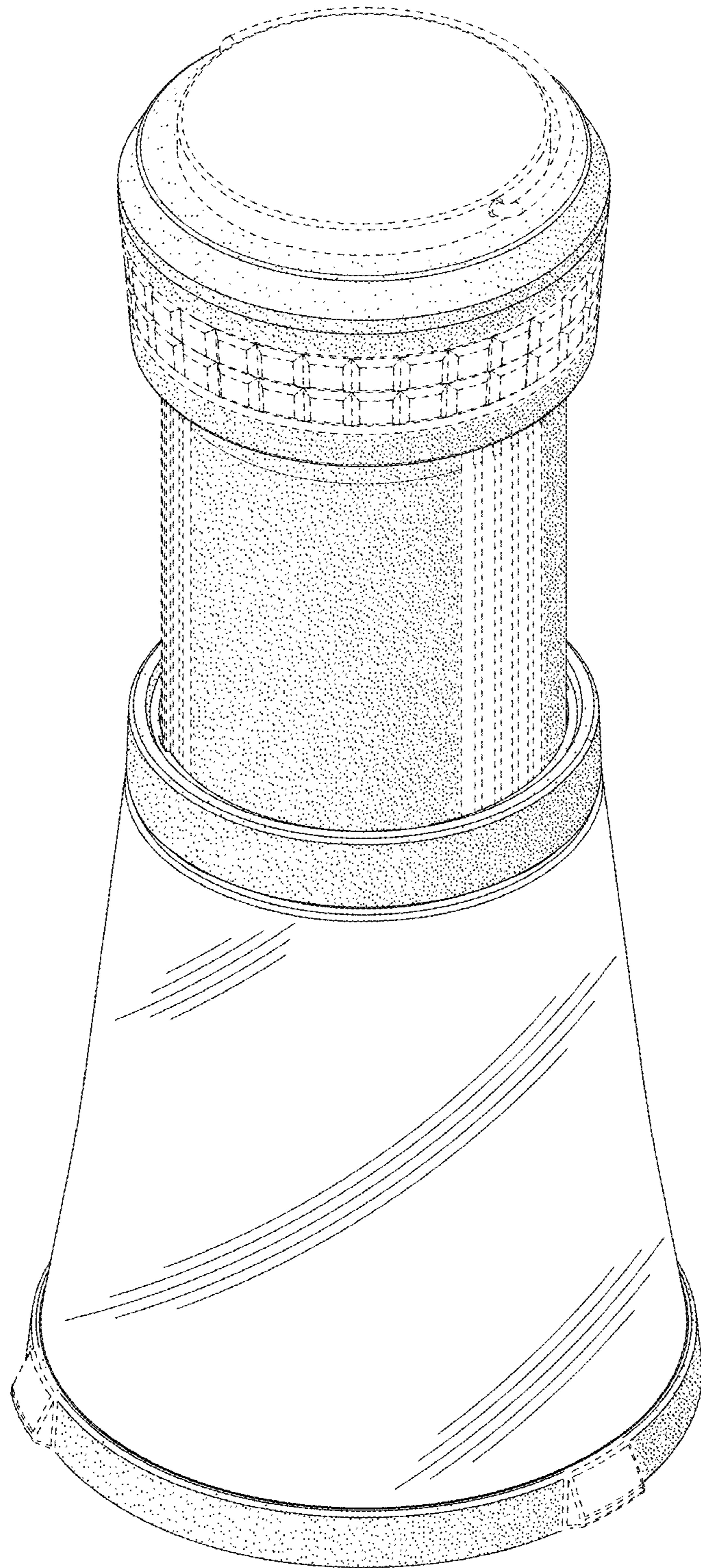


FIG. 10

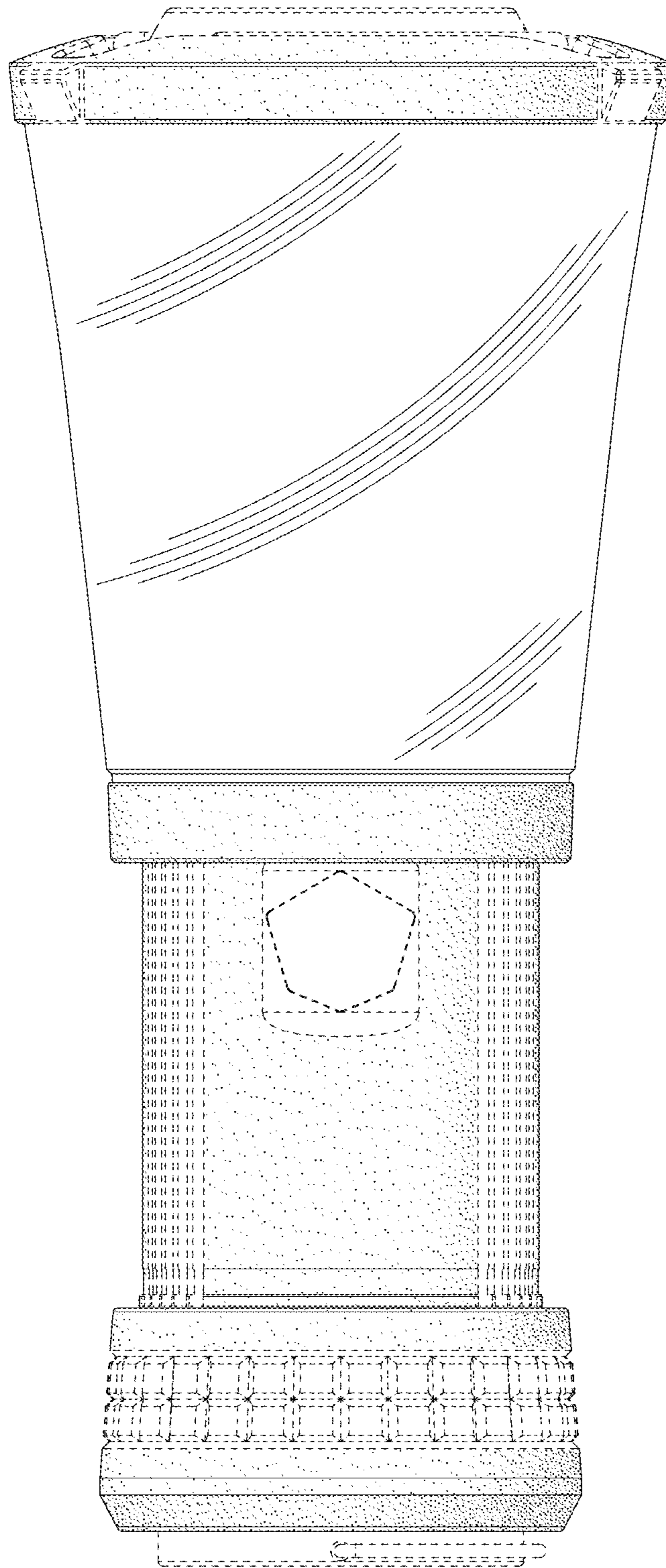


FIG. 11

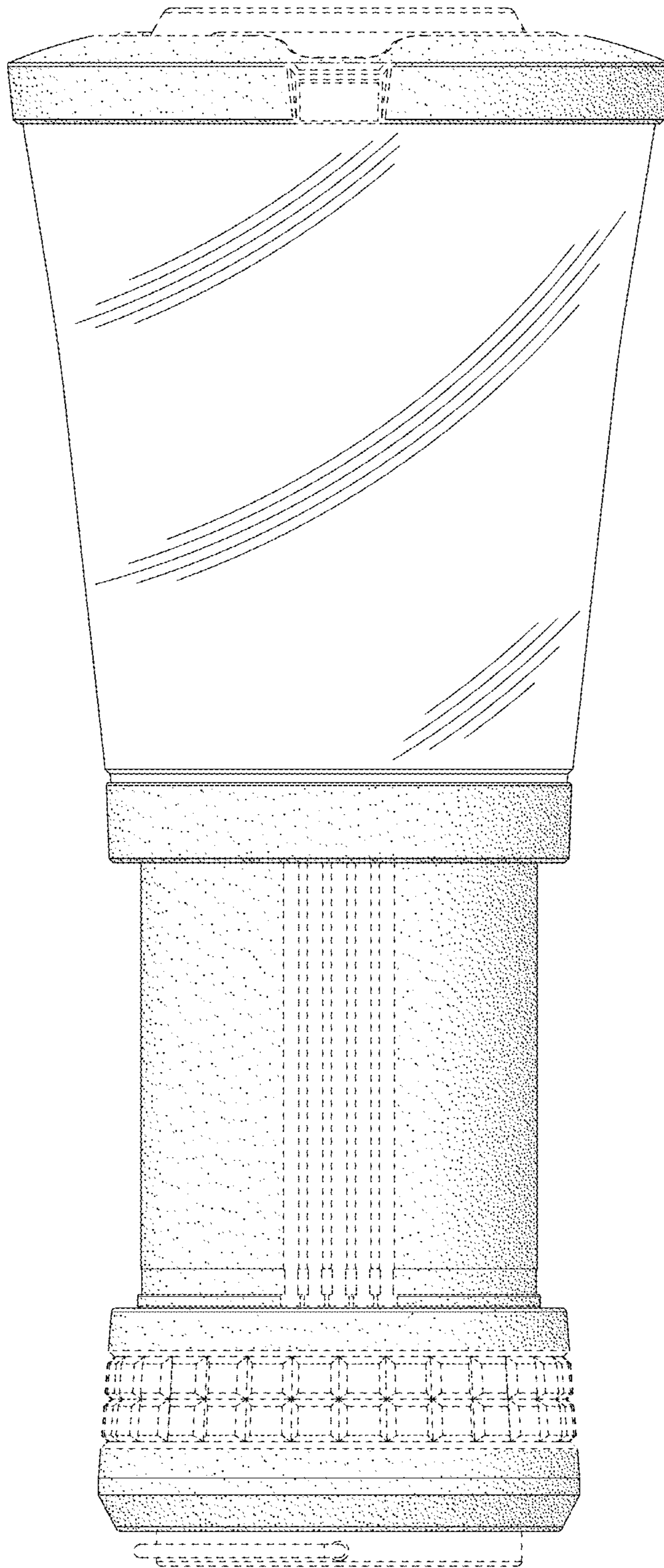


FIG. 12

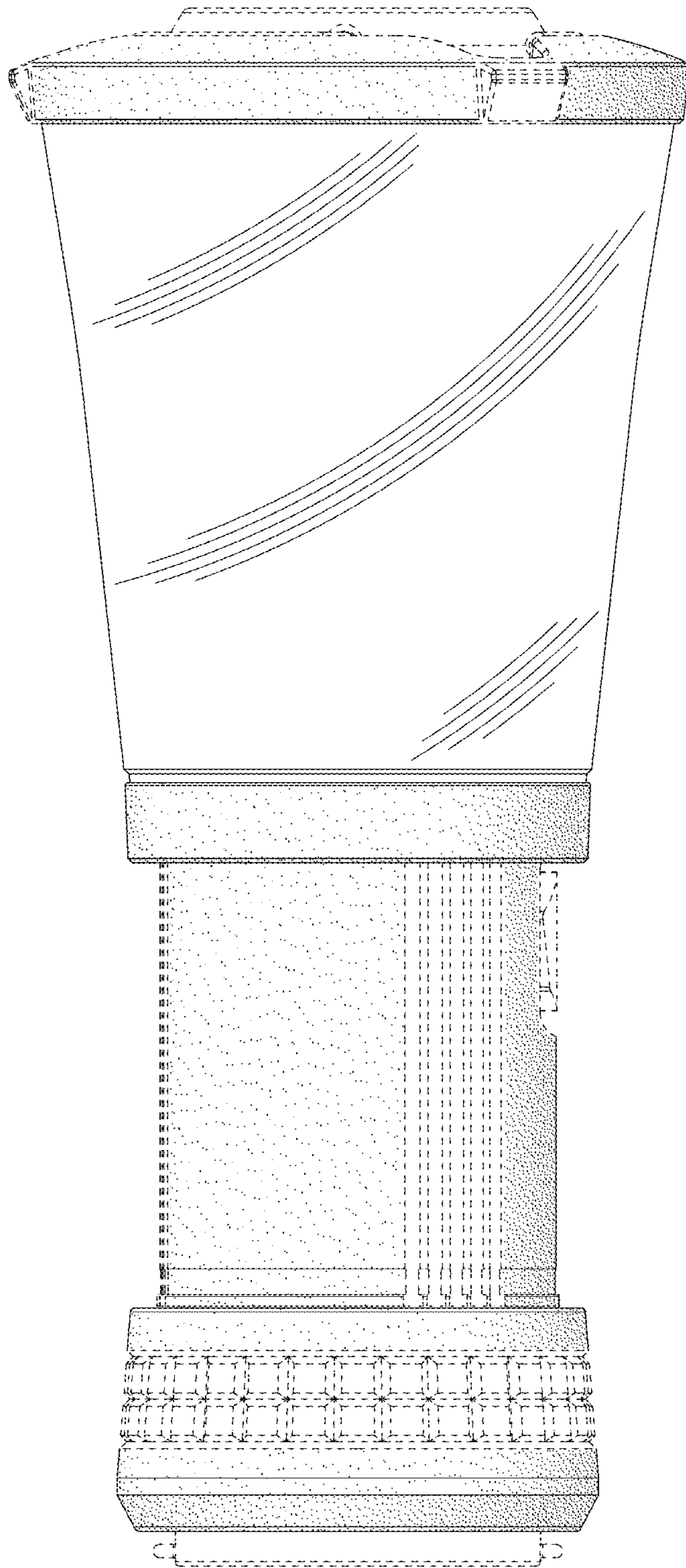


FIG.13

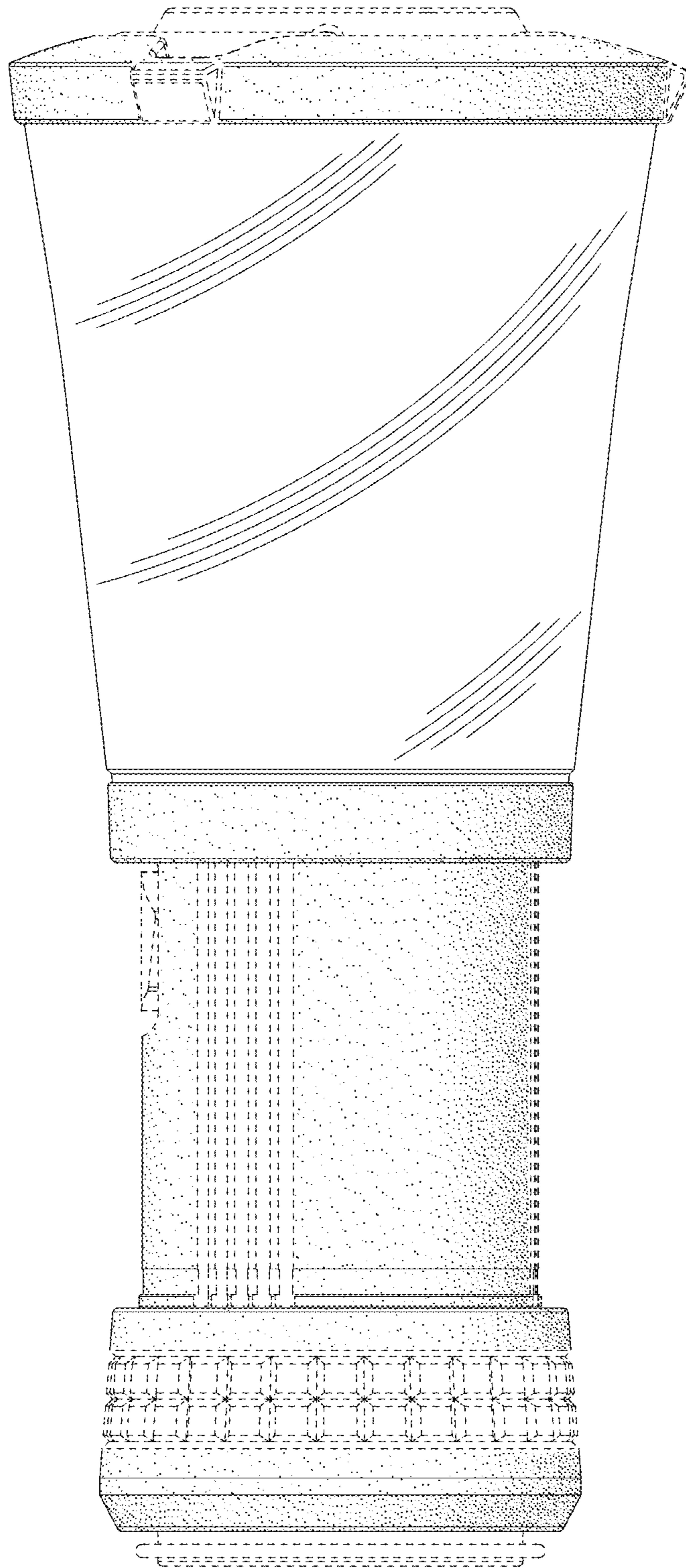


FIG. 14

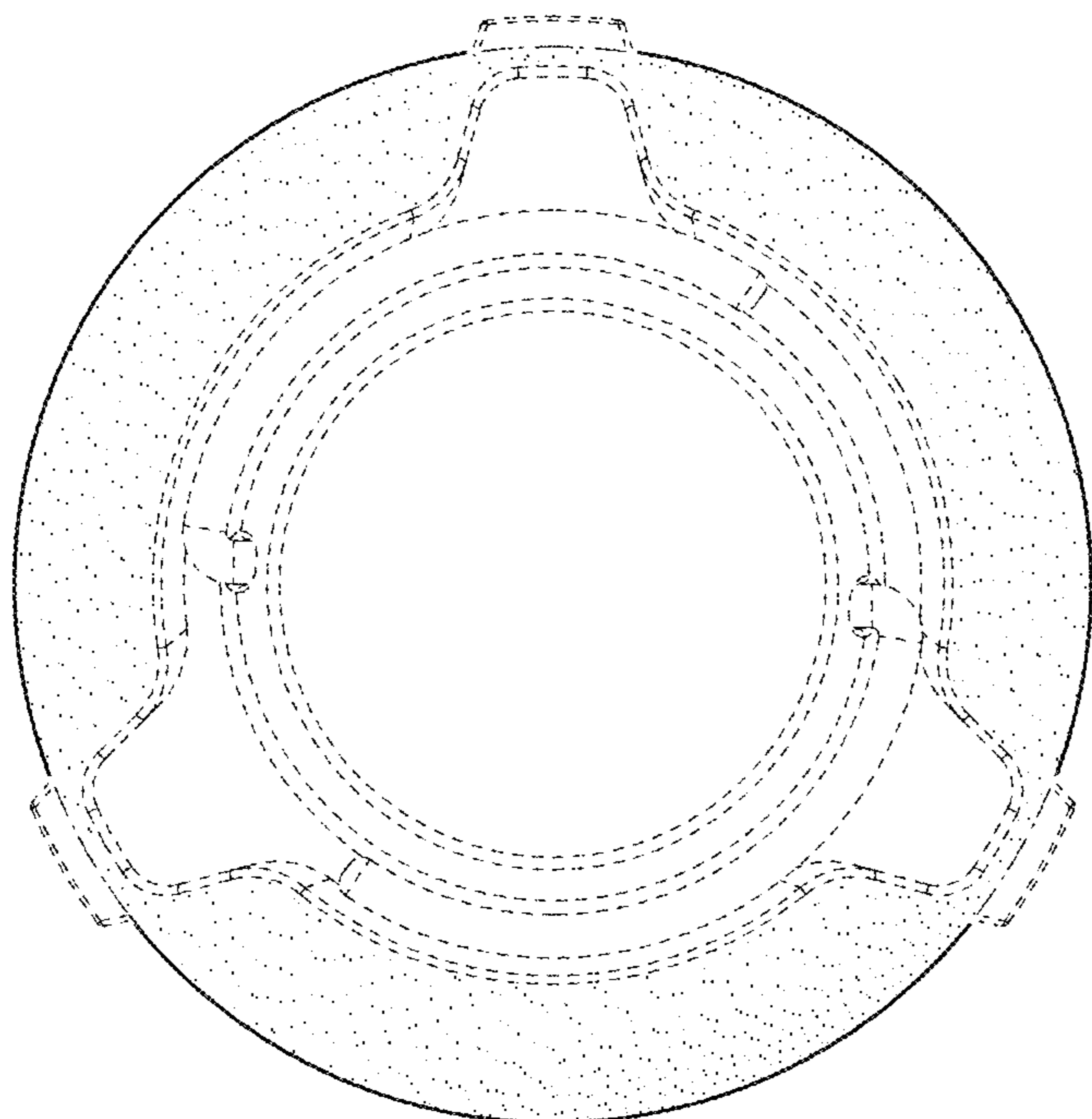


FIG. 15

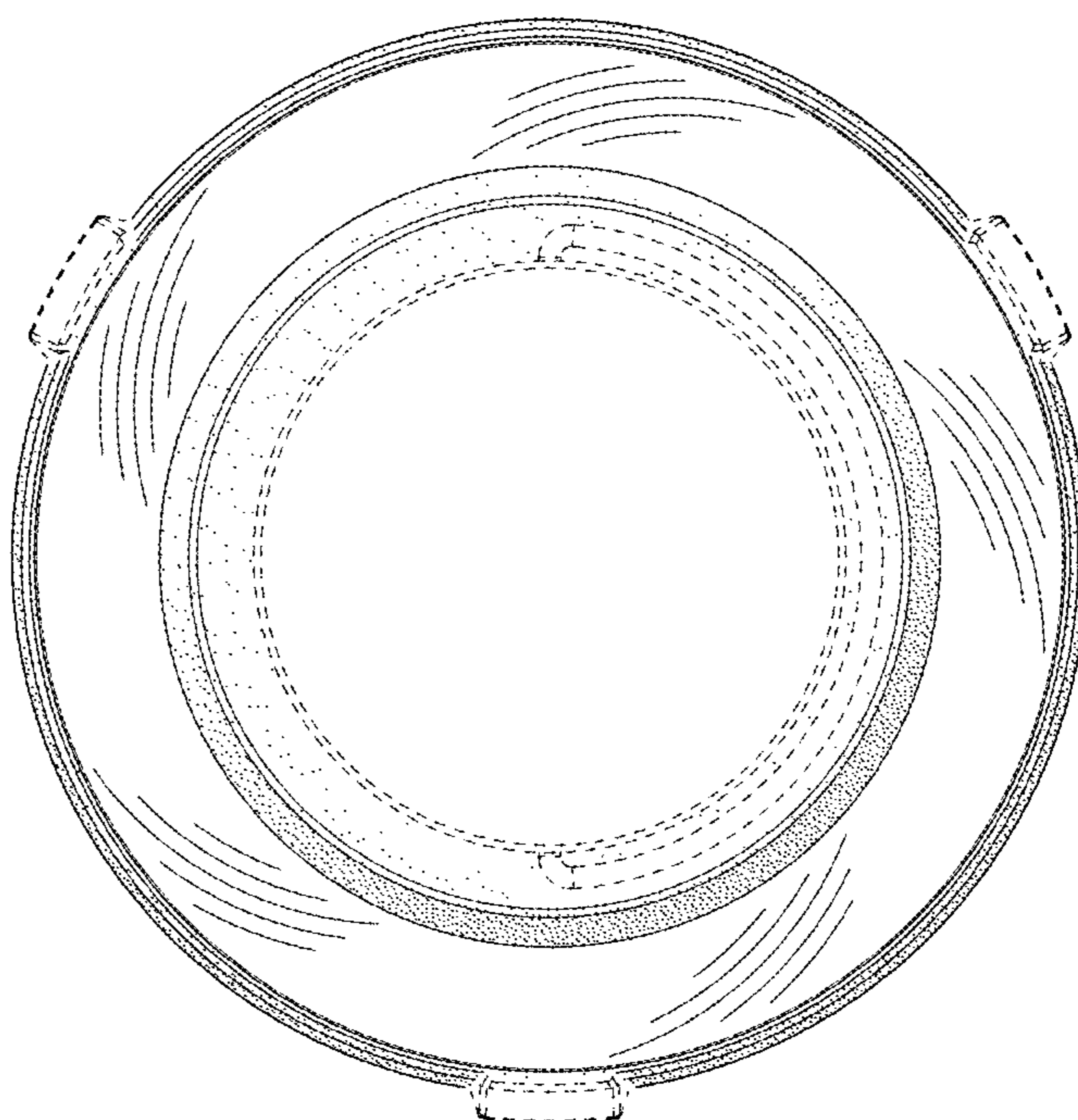


FIG. 16