



US00D968664S

(12) **United States Design Patent** (10) **Patent No.:** **US D968,664 S**
Chen (45) **Date of Patent:** **** Nov. 1, 2022**

(54) **HANDHELD SPOTLIGHT**

D461,017 S * 7/2002 Poon D26/45
D467,673 S * 12/2002 Yuen D26/45
D492,434 S * 6/2004 Yuen D26/41

(71) Applicant: **Yi Kai Chen**, Tainan (TW)

(Continued)

(72) Inventor: **Yi Kai Chen**, Tainan (TW)

FOREIGN PATENT DOCUMENTS

(73) Assignee: **SHIN CHIN INDUSTRIAL CO., LTD.**, Tainan (TW)

CN 305393617 * 10/2019
CN 112013302 A * 12/2020 F21S 8/00

(Continued)

(**) Term: **15 Years**

OTHER PUBLICATIONS

(21) Appl. No.: **29/711,573**

“Garrity #S800GST02N Cordless Rechargeable Spotlight,” Dec. 10, 2016, amazon.ca, site visited Oct. 29, 2021, URL: <https://www.amazon.ca/Garrity-S800GST02N-Cordless-Rechargeable-Spotlight/dp/B000BQT48W> (Year: 2016).*

(Continued)

(22) Filed: **Oct. 31, 2019**

(51) **LOC (13) Cl.** **26-02**

(52) **U.S. Cl.**
USPC **D26/37**

(58) **Field of Classification Search**
USPC D26/37-44, 46-52; D10/109.1, 111-115
CPC .. F21L 14/02; B63B 45/02; F21V 5/04; F21Y 2101/00

See application file for complete search history.

Primary Examiner — Eric L Goodman
Assistant Examiner — Sarah L Smith
(74) *Attorney, Agent, or Firm* — Che-Yang Chen; Law Office of Michael Chen

(57) **CLAIM**

The ornamental design for a handheld spotlight, as shown and described.

(56) **References Cited**

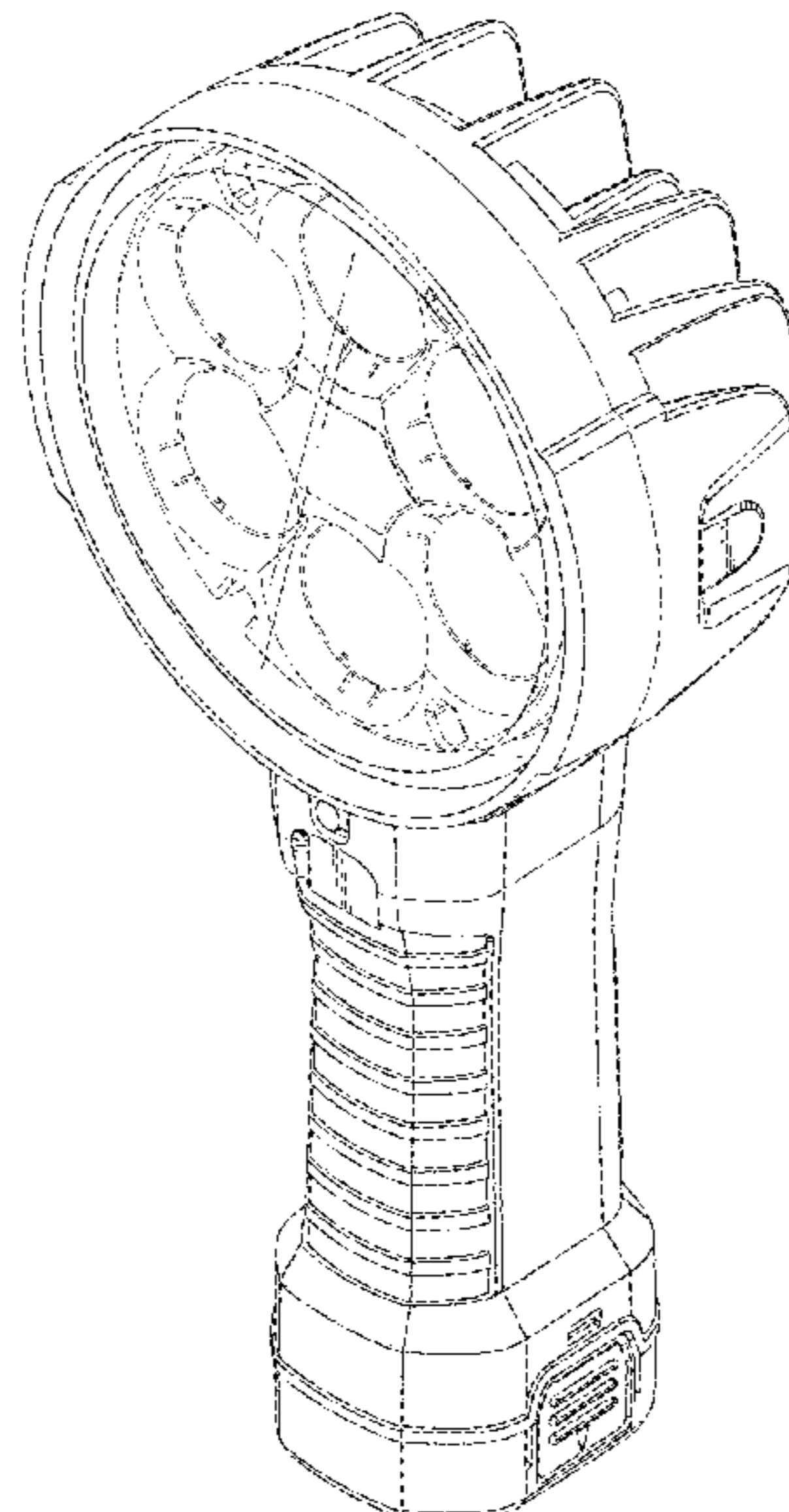
U.S. PATENT DOCUMENTS

1,959,671 A * 5/1934 Handlan B61L 5/1809
246/473.3
2,510,320 A * 6/1950 Sauer B63B 45/02
362/368
D188,518 S * 8/1960 Cleek D10/114.9
3,161,720 A * 12/1964 Musichuk G09F 13/16
248/472
D201,908 S * 8/1965 Meyer D26/37
3,322,944 A * 5/1967 Mellyn F21V 27/005
362/258
D217,506 S * 5/1970 Knoetgen D16/135
D229,355 S * 11/1973 Rausch D10/106.2
D267,349 S * 12/1982 Asano D26/37
D301,752 S * 6/1989 Osterhout D26/45
D380,845 S * 7/1997 Chan D26/43
D390,982 S * 2/1998 Wan D26/37

DESCRIPTION

FIG. 1 is a perspective view of a handheld spotlight showing my new design;
FIG. 2 is a front elevational view thereof;
FIG. 3 is a rear elevational view thereof;
FIG. 4 is a left side elevational view thereof;
FIG. 5 is a right side elevational view thereof;
FIG. 6 is a top plan view thereof;
FIG. 7 is a bottom plan view thereof; and,
FIG. 8 is a schematic view thereof.
The broken lines shown in the figures are for the purpose of illustrating portions of the Puzzle which form no part of the claimed design.

1 Claim, 7 Drawing Sheets



(56)

References Cited

U.S. PATENT DOCUMENTS

D560,300 S * 1/2008 Compton D26/61
 D564,113 S * 3/2008 Yuen D26/42
 D592,330 S * 5/2009 Huang D26/28
 D629,938 S * 12/2010 Yuen D26/45
 D645,180 S * 9/2011 Slater D26/45
 D702,386 S * 4/2014 Valeri D26/63
 D712,080 S * 8/2014 Trude D26/37
 D713,077 S * 9/2014 Hao D26/37
 D713,594 S * 9/2014 Norris D26/118
 D747,520 S * 1/2016 Hsu D26/37
 D827,883 S * 9/2018 Deyaf D26/28
 D831,869 S * 10/2018 Ford D26/37
 D848,651 S * 5/2019 Ko D26/36
 D849,292 S * 5/2019 Ko D26/36
 D849,293 S * 5/2019 Ko D26/36
 D854,206 S * 7/2019 Yang D26/36
 D876,692 S * 2/2020 Yahr D26/36
 D883,541 S * 5/2020 Johnson D26/36
 D900,364 S * 10/2020 Ford D26/37
 D910,218 S * 2/2021 Somasekar D26/63
 D926,342 S * 7/2021 Birtulescu D26/36
 D953,402 S * 5/2022 Huang D26/38
 2014/0085877 A1 * 3/2014 Hao F21V 29/83
 362/200

FOREIGN PATENT DOCUMENTS

GB 2091911 * 4/2000
 GB 2099441 * 11/2001
 KR 300983583.0000 * 12/2018

OTHER PUBLICATIONS

“Goodsmann Spotlight Hunting Camo Portable Handheld Light,” Dec. 25, 2018, amazon.com, site visited Oct. 28, 2021, URL: https://www.amazon.com/GOODSMANN-Spotlight-Portable-Handheld-TacticPro/dp/B07M5ZJVJT/ref=sr_1_139?dchild=1&keywords=marine+spotlight&qid=1635451832&sr=8-139 (Year: 2018).*

“Cyclops Marine Halogen Spotlight,” Apr. 14, 2019, sears.com, site visited Oct. 28, 2021, URL: <https://www.sears.com/cyclops-marine-halogen-spotlight-high-intensity-1400-lumen/p-A046773038> (Year: 2019).*

“LED Flood Light,” Jul. 24, 2019, superbrightleds.com, site visited Oct. 29, 2021, URL: https://d114hh0cykhyb0.cloudfront.net/pdfs/WN_Manual.pdf (Year: 2019).*

“Narva Automotive Lighting & Electrical 2019/20 Catalogue,” 2019, narva.com.au, site visited Nov. 4, 2021, URL: <https://view.publitas.com/bwi/narva-catalogue-2019-20/page/556-557> (Year: 2019).*

* cited by examiner

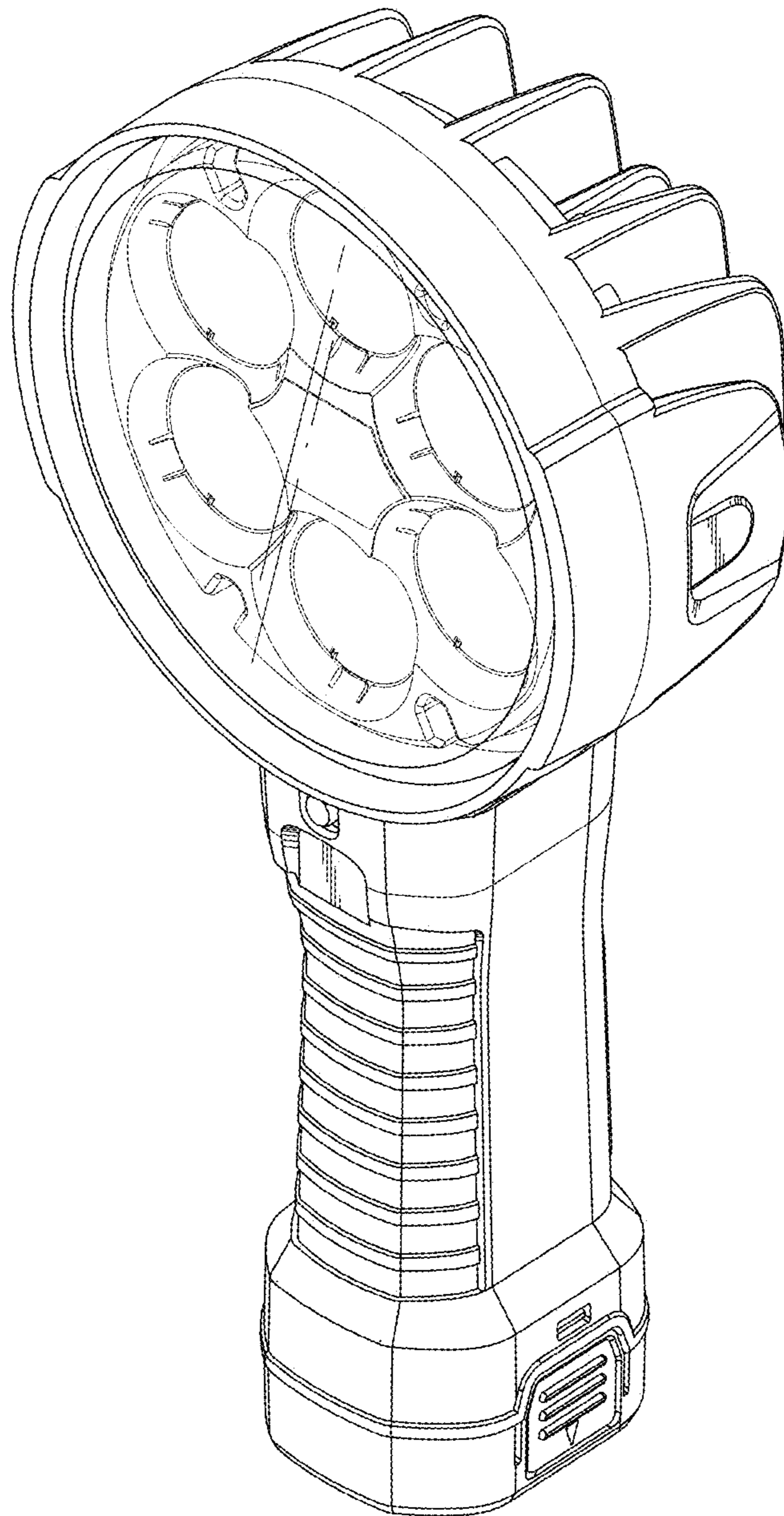


FIG. 1

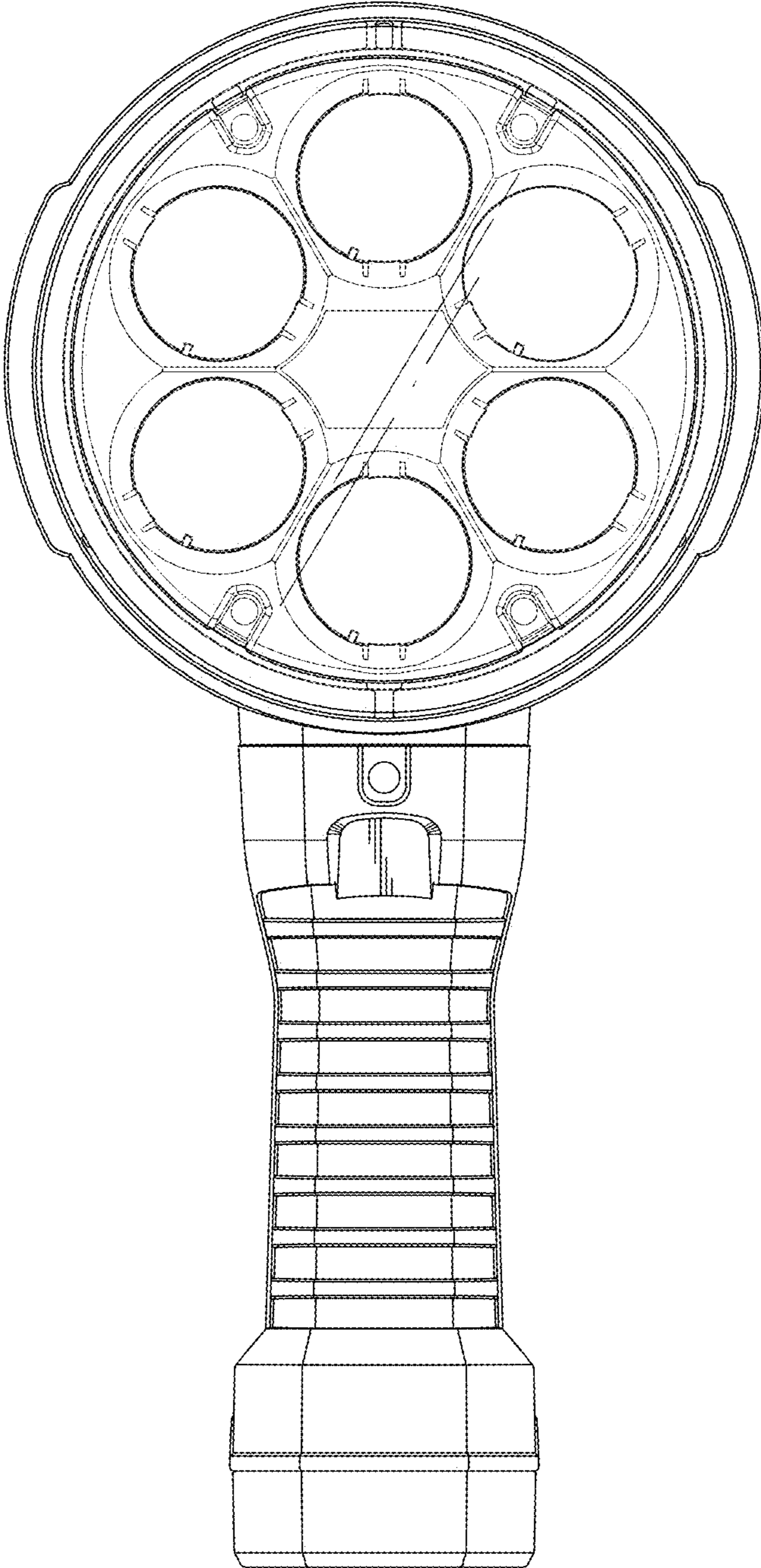


FIG. 2

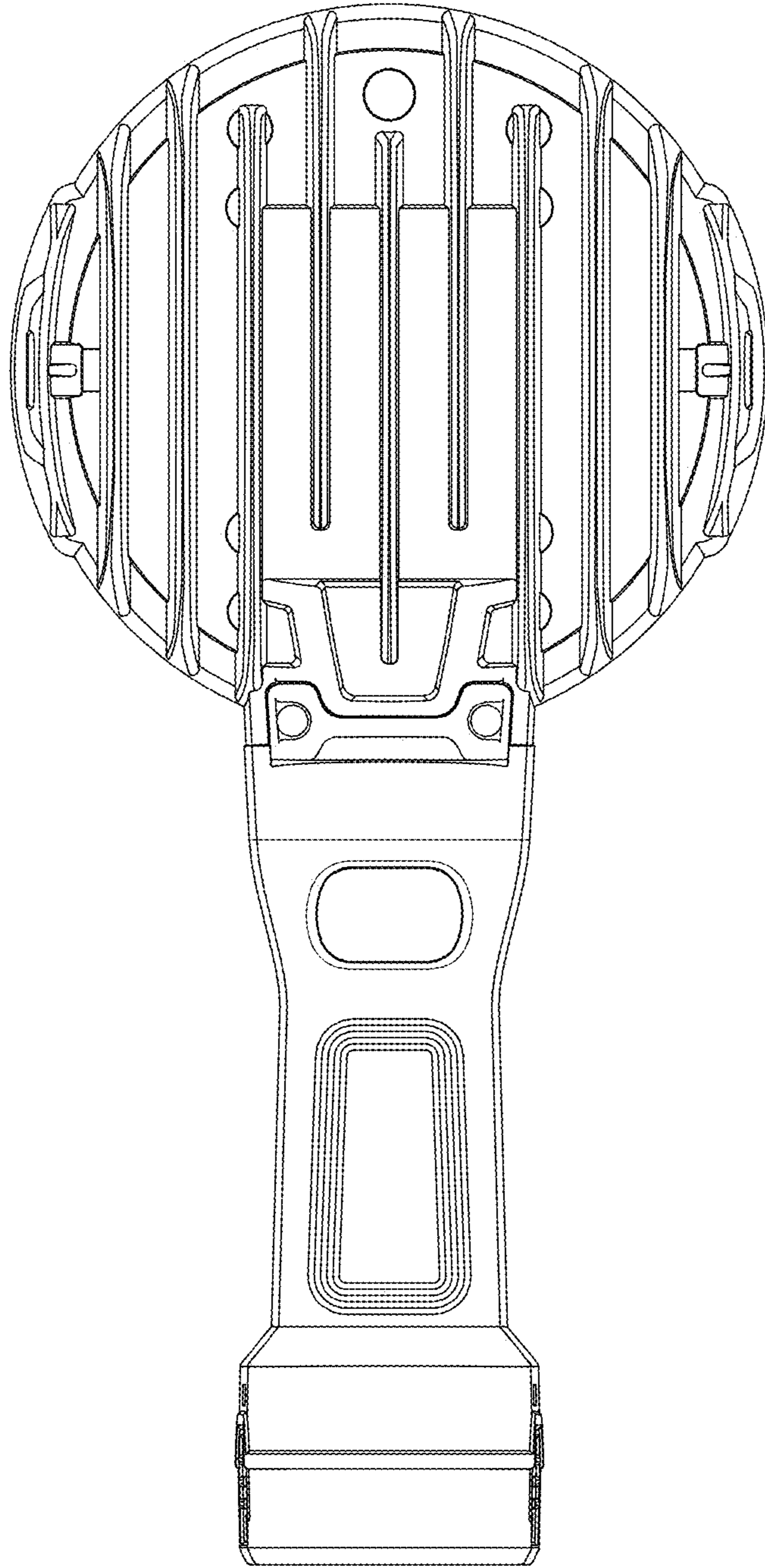


FIG. 3

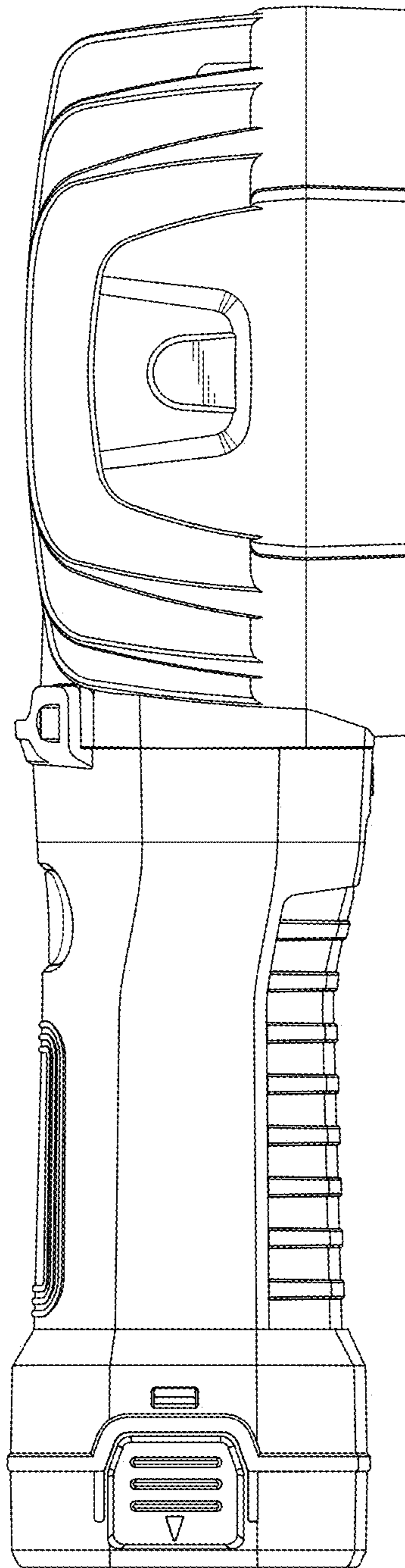


FIG. 4

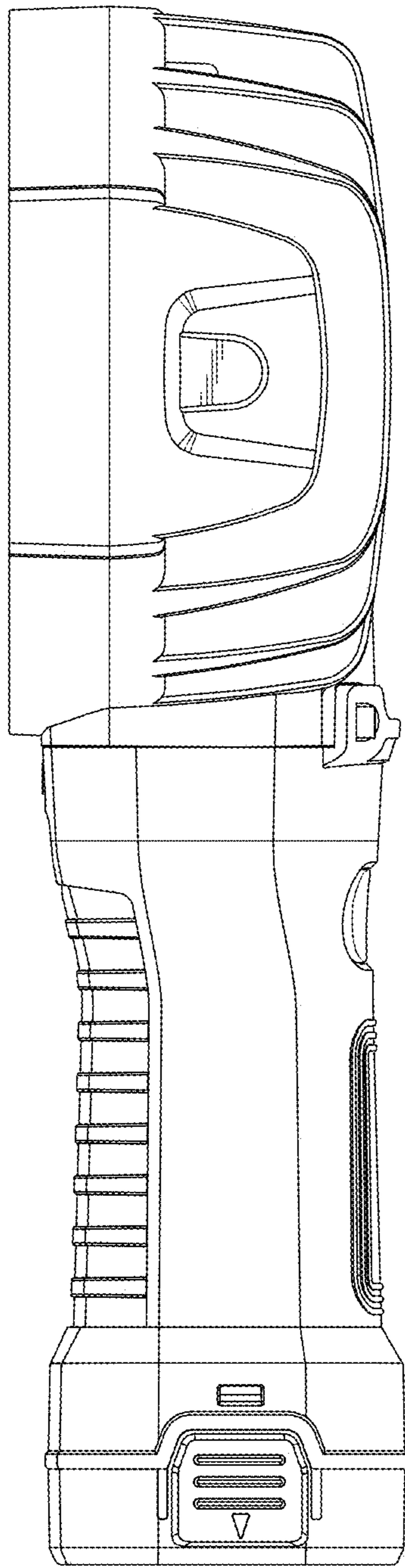


FIG. 5

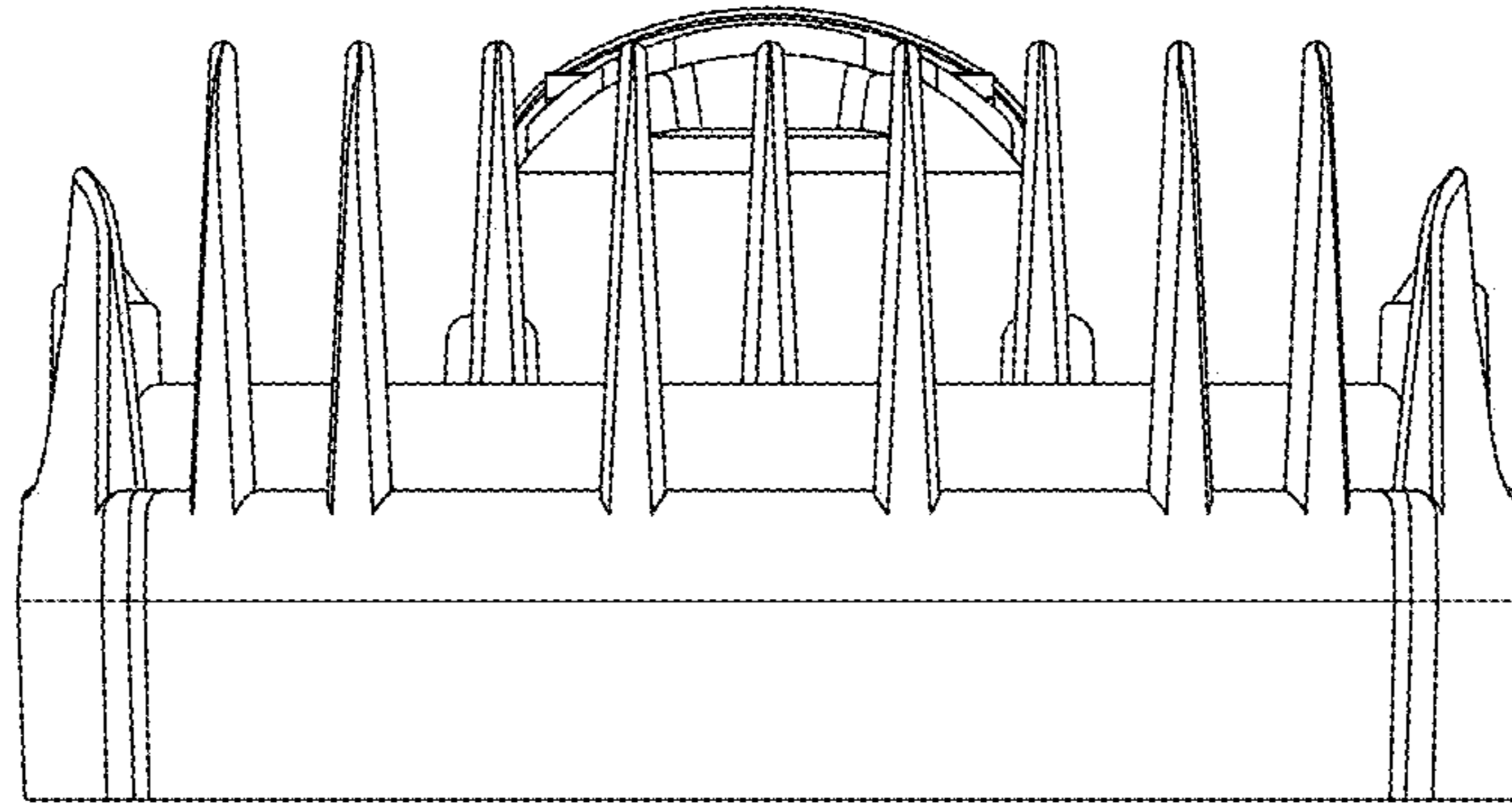


FIG. 6

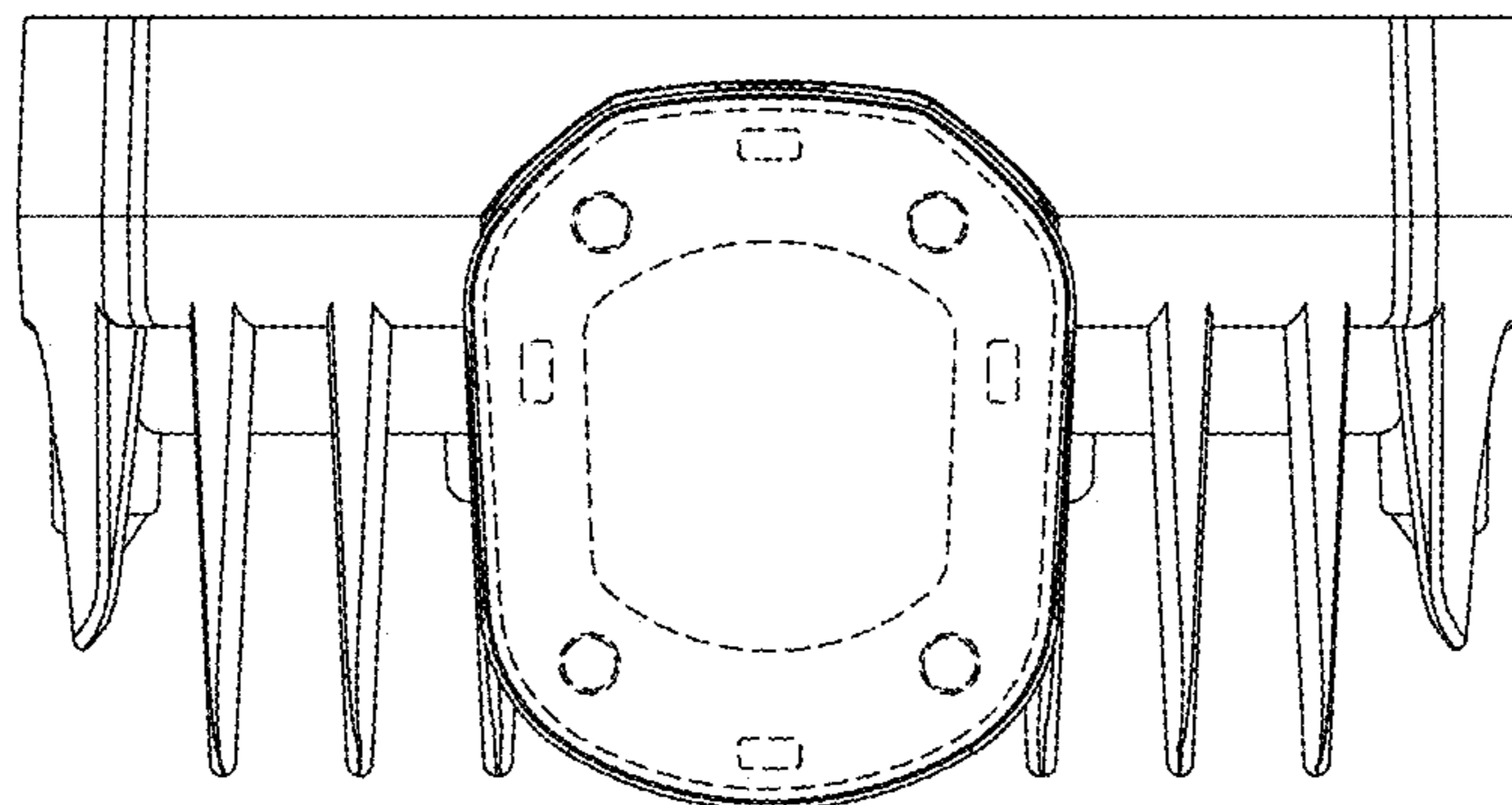


FIG. 7

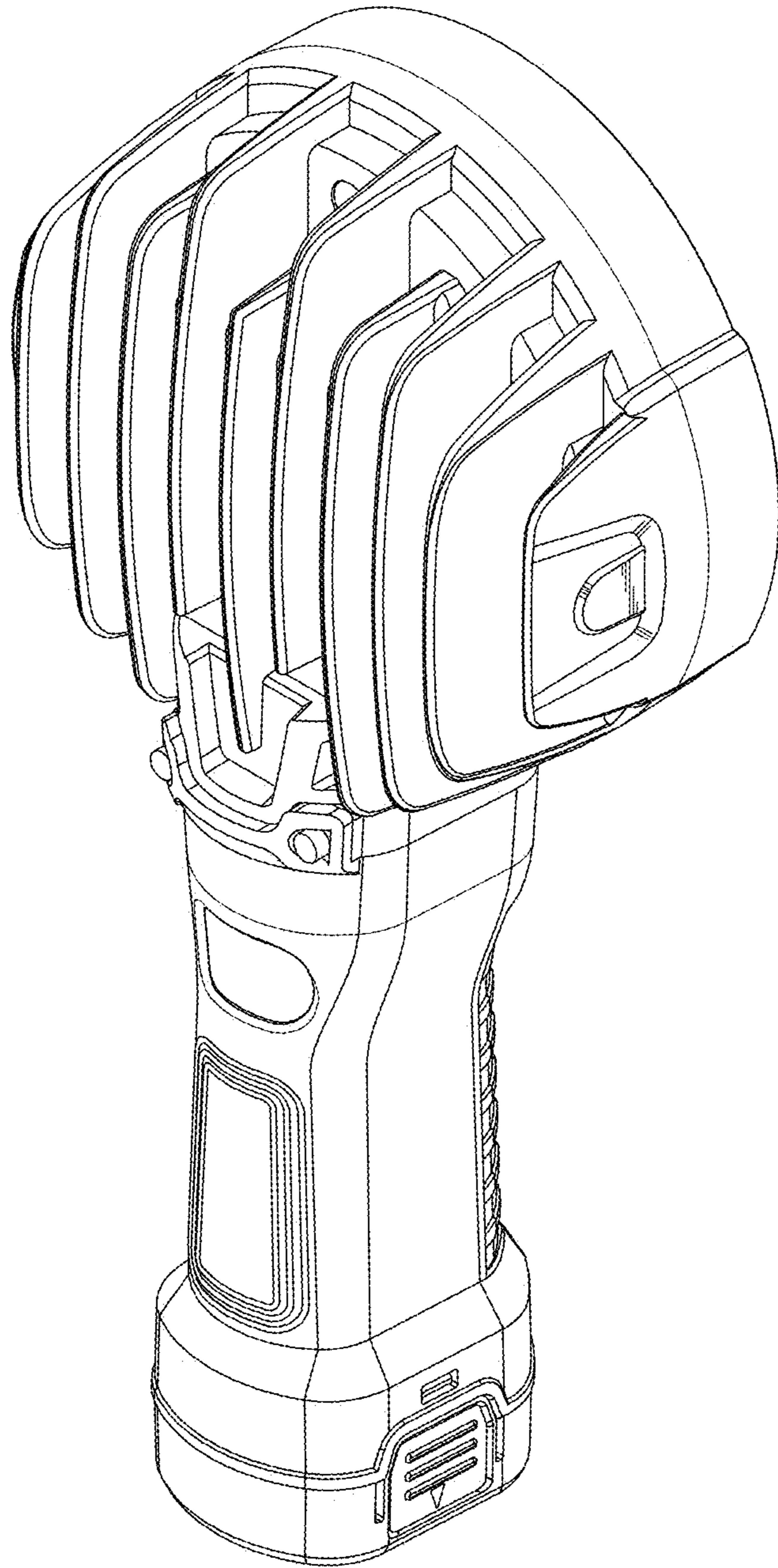


FIG. 8