



US00D968662S

(12) **United States Design Patent**
Tao

(10) **Patent No.:** **US D968,662 S**

(45) **Date of Patent:** **** Nov. 1, 2022**

(54) **LIGHT**

(71) Applicant: **Chunfei Tao**, Linhai (CN)

(72) Inventor: **Chunfei Tao**, Linhai (CN)

(**) Term: **15 Years**

(21) Appl. No.: **29/864,514**

(22) Filed: **Jun. 1, 2022**

(51) **LOC (13) Cl.** **26-04**

(52) **U.S. Cl.**
USPC **D26/25**

(58) **Field of Classification Search**
USPC D26/24-25, 27, 51-52, 57, 60-61, 63,
D26/65, 72-73, 81, 88, 113, 129, 138
CPC F21Y 2115/10; F21Y 2103/10; F21Y
2113/13; F21Y 2101/00; F21Y 2113/10;
F21W 2121/00; F21W 2121/04; F21W
2121/004; F21W 2131/10; F21W
2121/006; F21W 2131/109; F21V 23/001
See application file for complete search history.

(56) **References Cited**

U.S. PATENT DOCUMENTS

D387,882 S	*	12/1997	Wang	D26/4
D546,982 S	*	7/2007	Van Dyn Hoven	D26/4
D603,535 S	*	11/2009	Sterijevski	D26/25
D858,833 S		9/2019	Cooper		
D861,955 S		10/2019	Richardson et al.		
D910,889 S	*	2/2021	Zhou	D26/25
D917,083 S	*	4/2021	Zhou	D26/25

D917,084 S	*	4/2021	Zhou	D26/25
D921,936 S	*	6/2021	Zhou	D26/25
D925,077 S	*	7/2021	Yang	D26/25
D938,627 S	*	12/2021	Li	D26/25
D950,113 S	*	4/2022	Zhou	D11/125
D962,495	*	8/2022	Yu	D11/121
D962,498	*	8/2022	Zhou	D26/25

* cited by examiner

Primary Examiner — Marissa J Cash
Assistant Examiner — William B Melliar

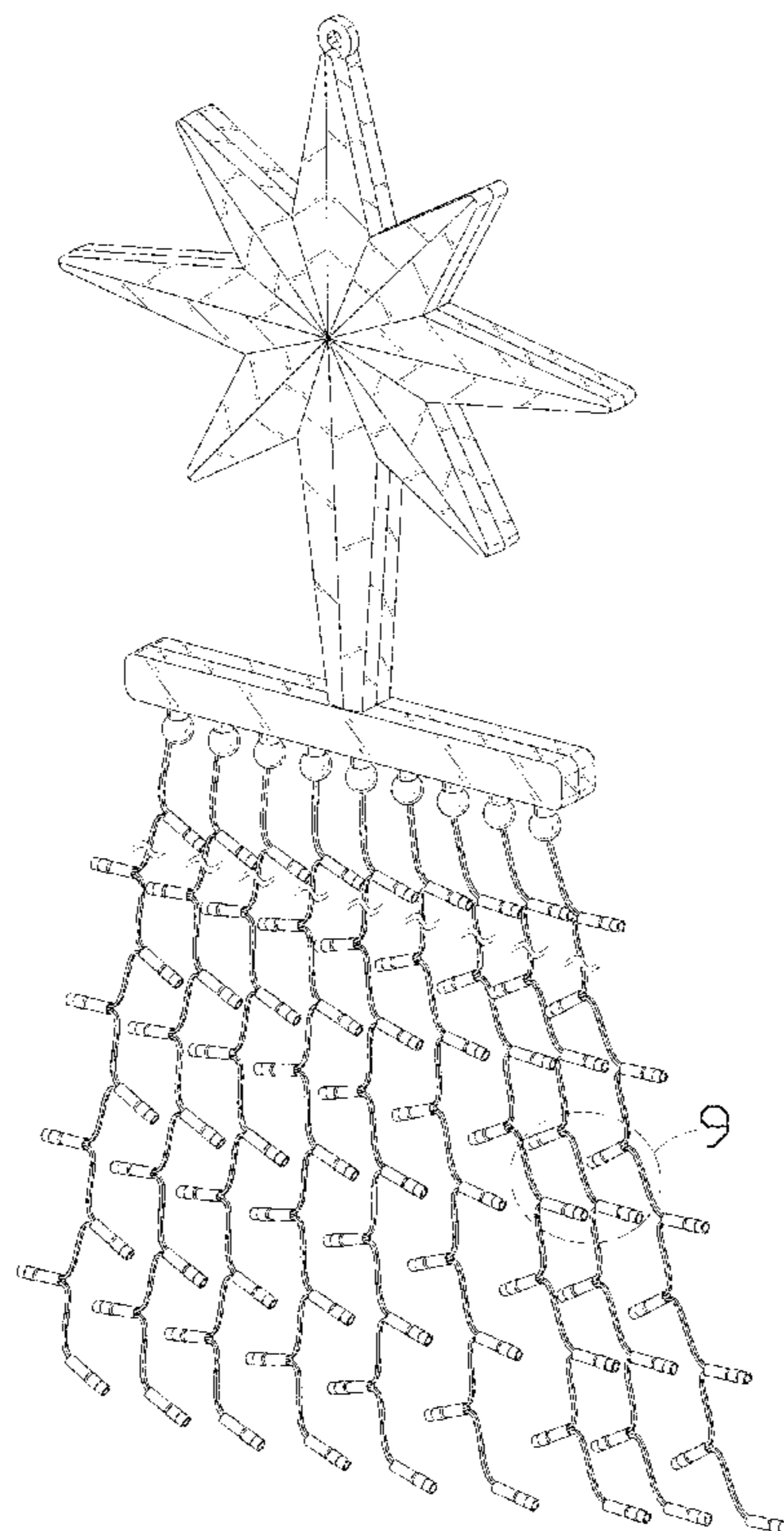
(57) **CLAIM**

The ornamental design for a light, as shown and described.

DESCRIPTION

FIG. 1 is a perspective view of a light showing my new design;
 FIG. 2 is another perspective view thereof;
 FIG. 3 is a front elevational view thereof;
 FIG. 4 is a rear elevational view thereof;
 FIG. 5 is a left side elevational view thereof;
 FIG. 6 is a right side elevational view thereof;
 FIG. 7 is a top plan view thereof;
 FIG. 8 is a bottom plan view thereof; and,
 FIG. 9 is an enlarged partial view taken from the encircled area shown in FIG. 1.
 The dot-dash broken lines represent the boundary of the enlarged portion and form no part of the claimed design. The light is shown with symbolic breaks in its length and the appearance of any portion of the light between the break lines form no part of the claimed design.

1 Claim, 9 Drawing Sheets



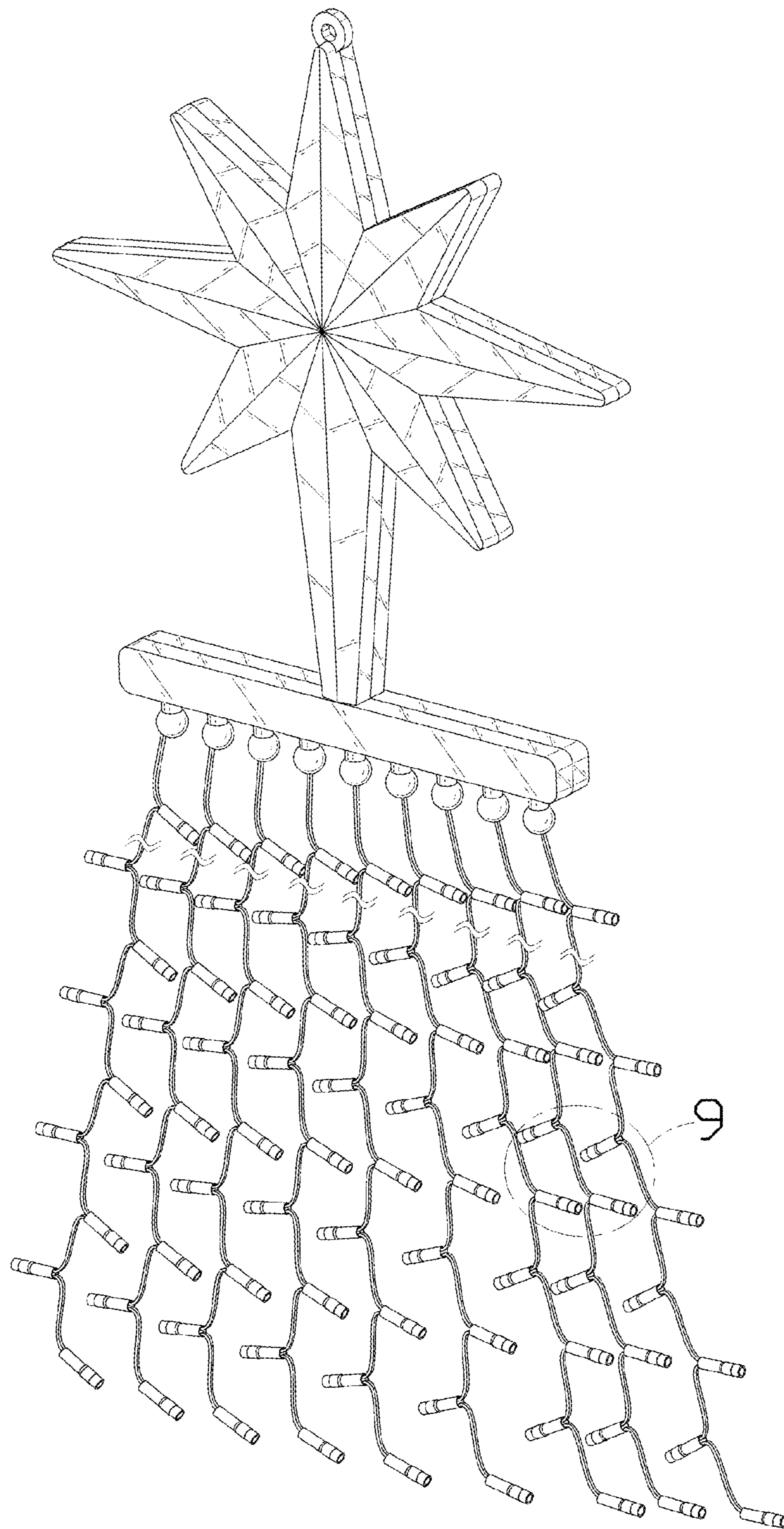


FIG. 1

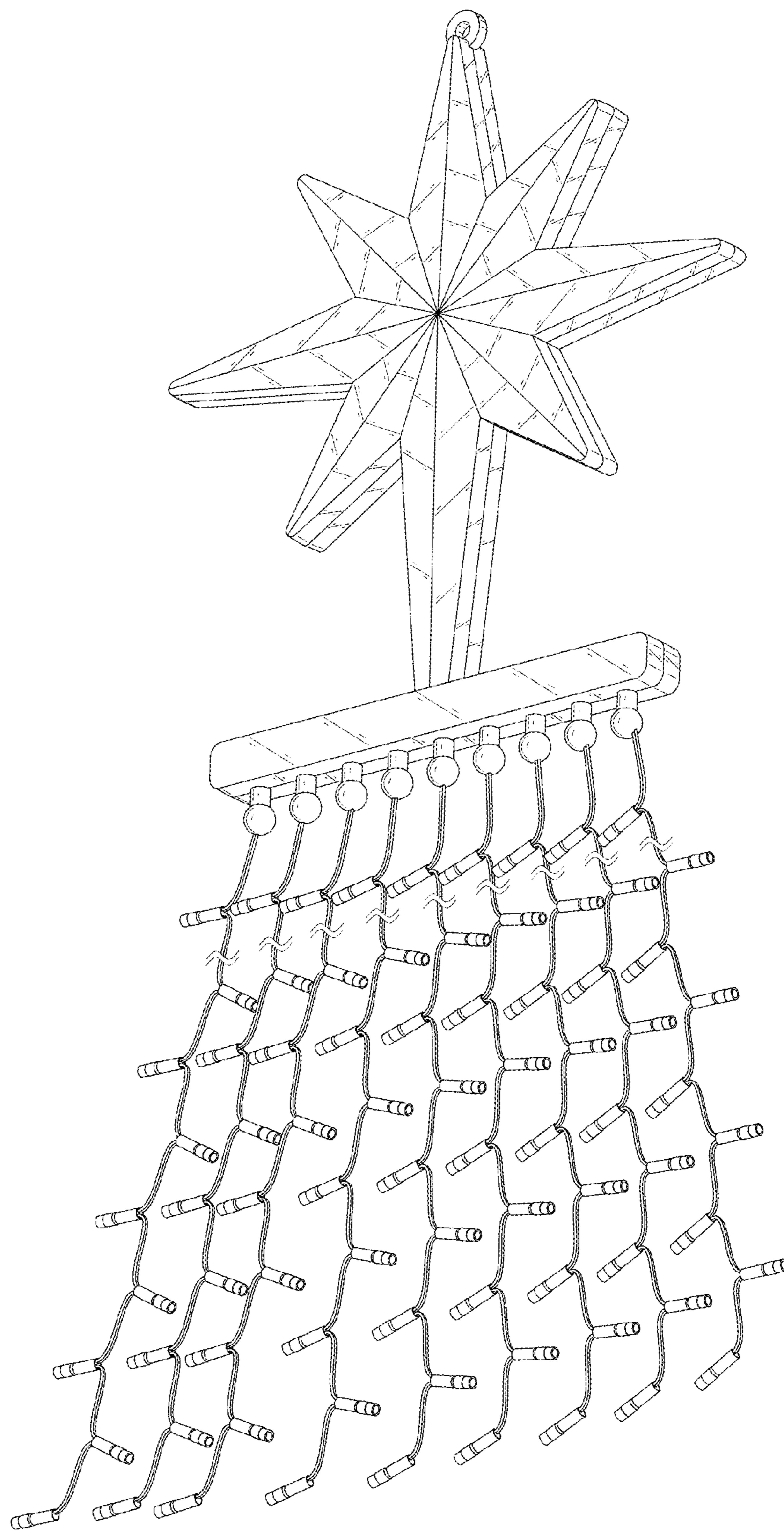


FIG. 2

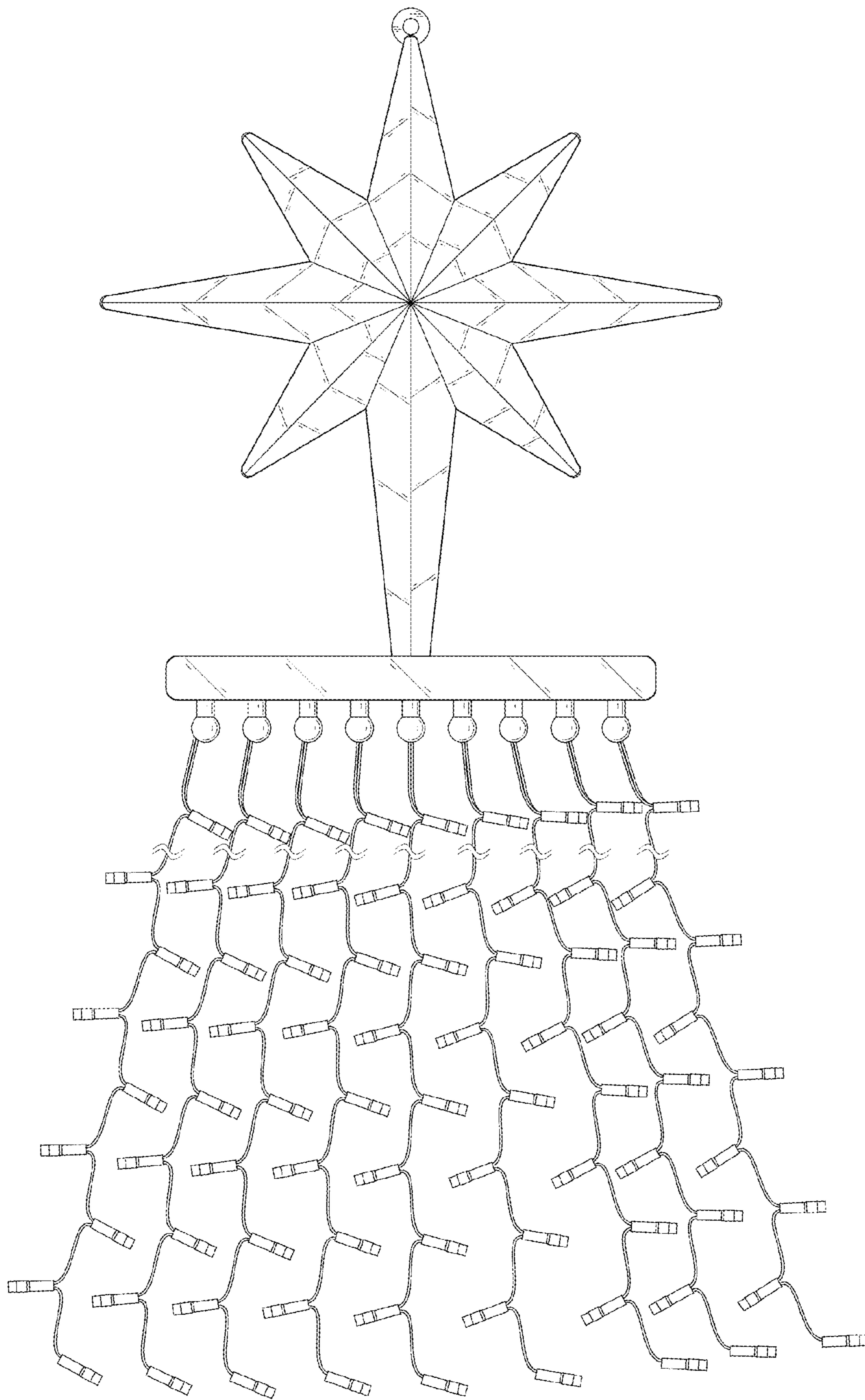


FIG. 3

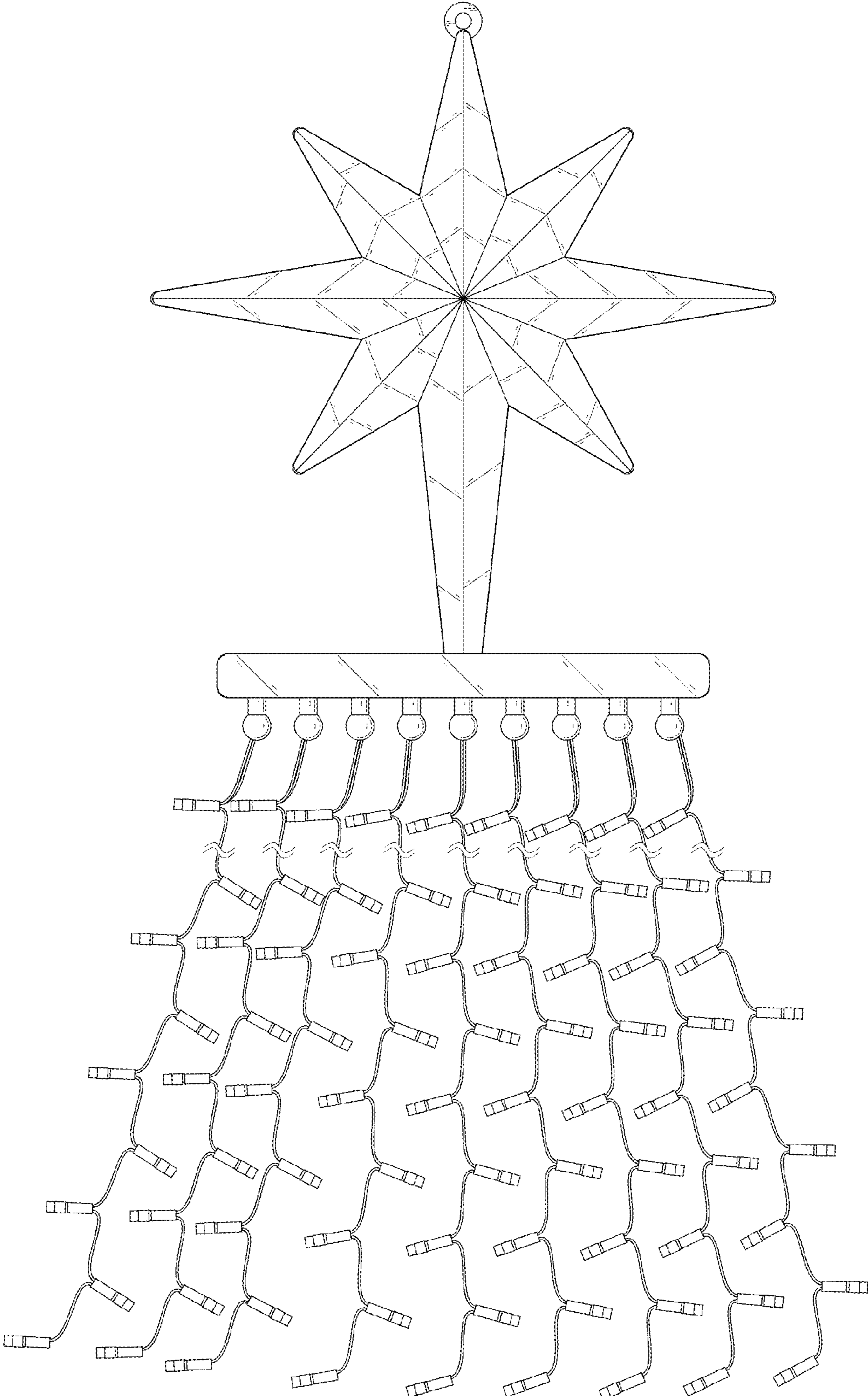


FIG. 4

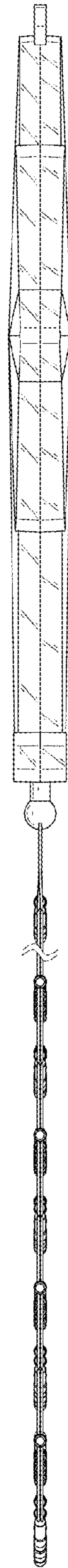


FIG. 5

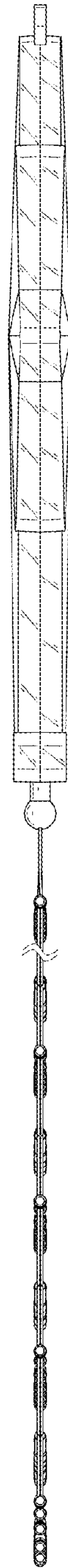


FIG. 6

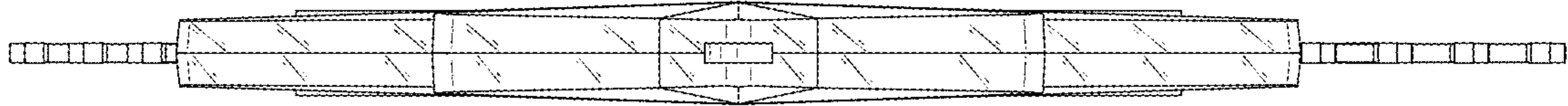


FIG. 7

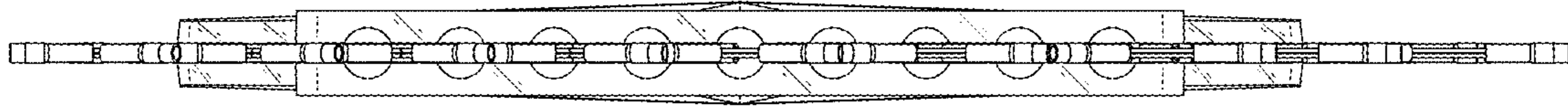


FIG. 8

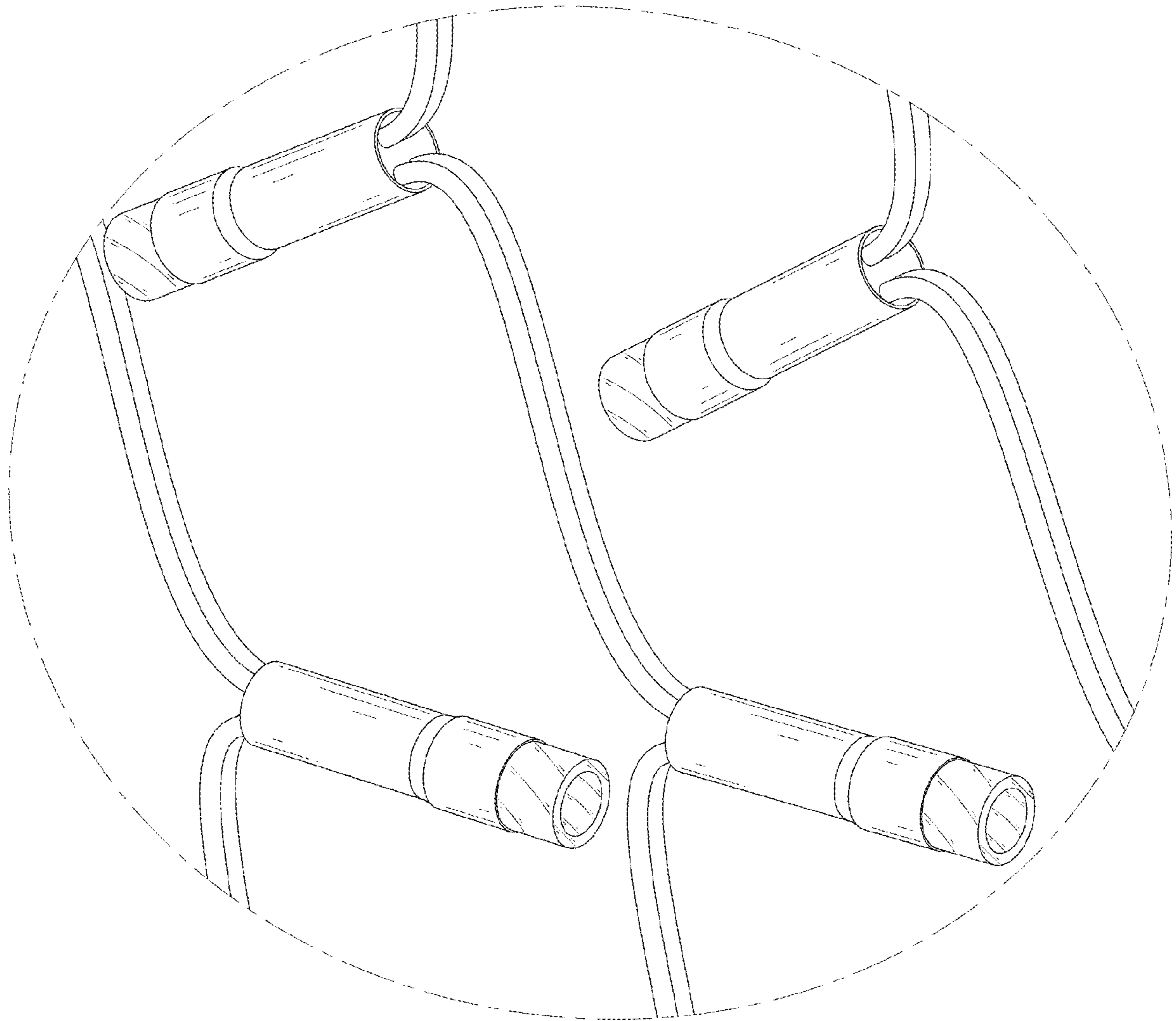


FIG. 9