



US00D968661S

(12) **United States Design Patent** (10) **Patent No.:** **US D968,661 S**
Liu (45) **Date of Patent:** **** Nov. 1, 2022**

(54) **STRING LIGHTS**
(71) Applicant: **Chuang Liu**, Shenzhen (CN)
(72) Inventor: **Chuang Liu**, Shenzhen (CN)
(**) Term: **15 Years**
(21) Appl. No.: **29/802,576**
(22) Filed: **Aug. 6, 2021**
(51) **LOC (13) Cl.** **26-02**
(52) **U.S. Cl.**
USPC **D26/25**
(58) **Field of Classification Search**
USPC D26/1, 24, 25, 27, 37, 39, 113, 118, 67,
D26/69
CPC F21S 2/00; F21S 4/00; F21S 4/10; F21S
4/15; F21S 4/20; F21K 9/00; F21W
2121/00; F21W 2121/04; A44C 15/0015;
A01G 5/04
See application file for complete search history.

D918,438 S * 5/2021 Lentz D26/25
D919,131 S * 5/2021 Yang D26/25
D919,132 S * 5/2021 Du D26/25
D924,448 S * 7/2021 Zhou D26/21
(Continued)

OTHER PUBLICATIONS

Amazon.com, Home Lighting 66ft Christmas Decorative Mini Lights, Jun. 18, 2019, <https://www.amazon.com/Home-Lighting-Christmas-Decorative-Decoration/dp/B07T5D2LTG/> (Year: 2019).*

Primary Examiner — Nathan M Johnston

(57) **CLAIM**

The ornamental design for string lights, as shown and described.

DESCRIPTION

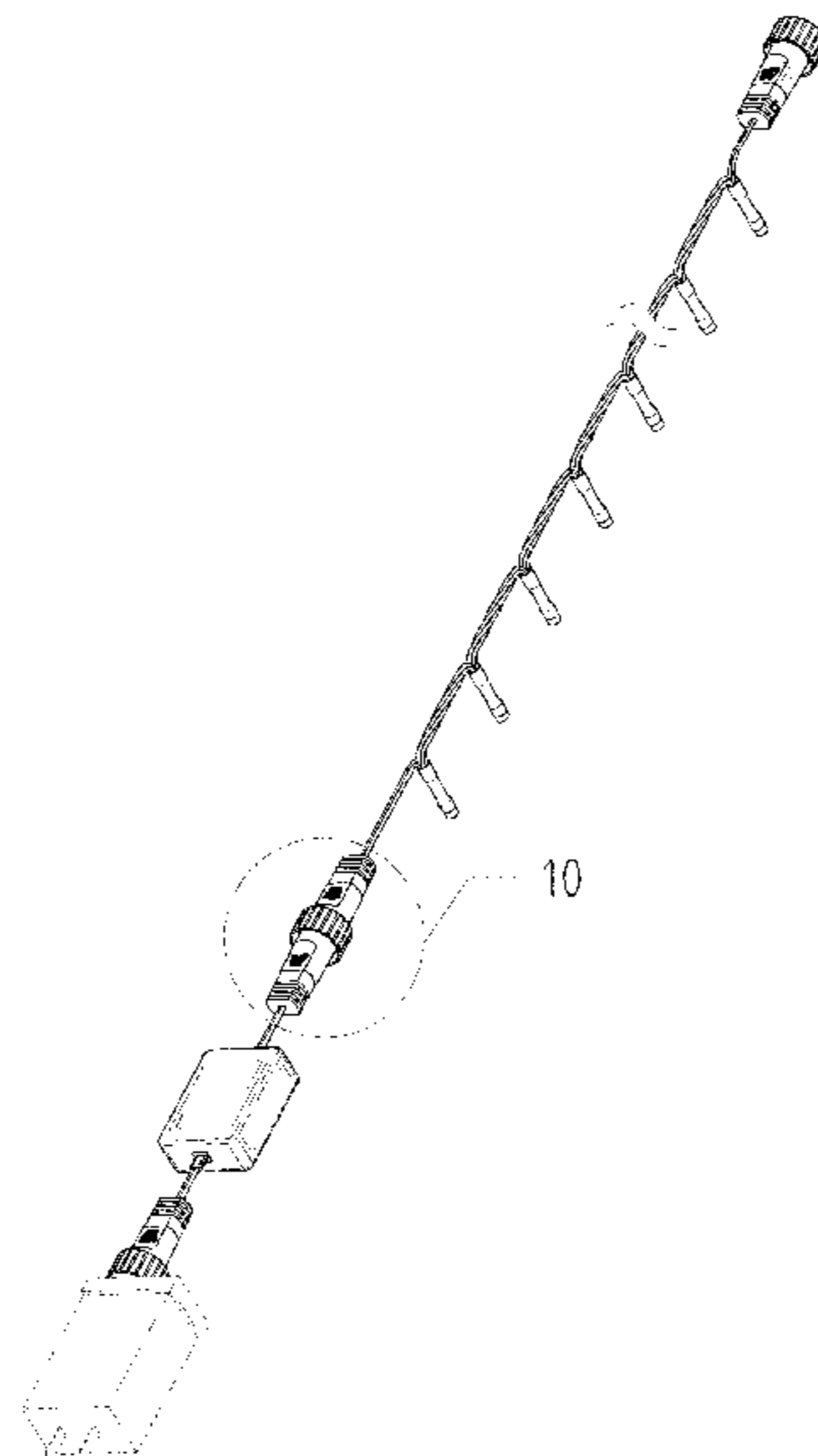
FIG. 1 is a first perspective view of string lights showing my new design;
FIG. 2 is a second perspective view thereof;
FIG. 3 is a front view thereof;
FIG. 4 is a back view thereof;
FIG. 5 is a left side view thereof;
FIG. 6 is a right side view thereof;
FIG. 7 is a top view thereof;
FIG. 8 is a bottom view thereof;
FIG. 9 is a perspective view of another state of the string lights thereof;
FIG. 10 is an enlarged view of the selected portion in FIG. 1;
FIG. 11 is an enlarged view of the selected portion in FIG. 2; and,
FIG. 12 is an enlarged view of the selected portion in FIG. 2.
The broken lines shown in the drawings depict portions of the string lights in which the design is embodied that form no part of the claimed design.

1 Claim, 12 Drawing Sheets

(56) **References Cited**

U.S. PATENT DOCUMENTS

D351,915 S * 10/1994 Hermanson D26/25
5,854,541 A * 12/1998 Chou F21V 23/0407
315/185 S
5,893,634 A * 4/1999 Wang F21V 21/08
362/396
6,367,952 B1 * 4/2002 Gibboney, Jr. F21V 19/0005
362/249.05
D778,468 S 2/2017 van der Lande
D796,705 S * 9/2017 Lieblein D14/216
D816,874 S 5/2018 Lentz et al.
D880,022 S * 3/2020 Gong D26/25
D889,696 S 7/2020 Cao
D908,933 S * 1/2021 Wu D26/25
D910,216 S * 2/2021 Liu D26/25
D910,890 S * 2/2021 Yang D26/25
D914,253 S * 3/2021 Kuang D26/25
D915,643 S * 4/2021 Liang D26/25
D917,741 S * 4/2021 Kuang D26/25



(56)

References Cited

U.S. PATENT DOCUMENTS

D924,449	S	*	7/2021	Zhang	D26/25
D936,254	S	*	11/2021	Gu	D26/25
D936,866	S	*	11/2021	Huasheng	D26/25
D940,358	S	*	1/2022	Xiong	D26/25
D940,921	S	*	1/2022	Yin	D26/25
D941,507	S	*	1/2022	Du	D26/25
D947,421	S	*	3/2022	Hu	D26/25
D947,423	S	*	3/2022	Hu	D26/25
D952,197	S	*	5/2022	Hu	D26/25
2015/0084515	A1	*	3/2015	Altamura	H05B 45/20 315/131

* cited by examiner

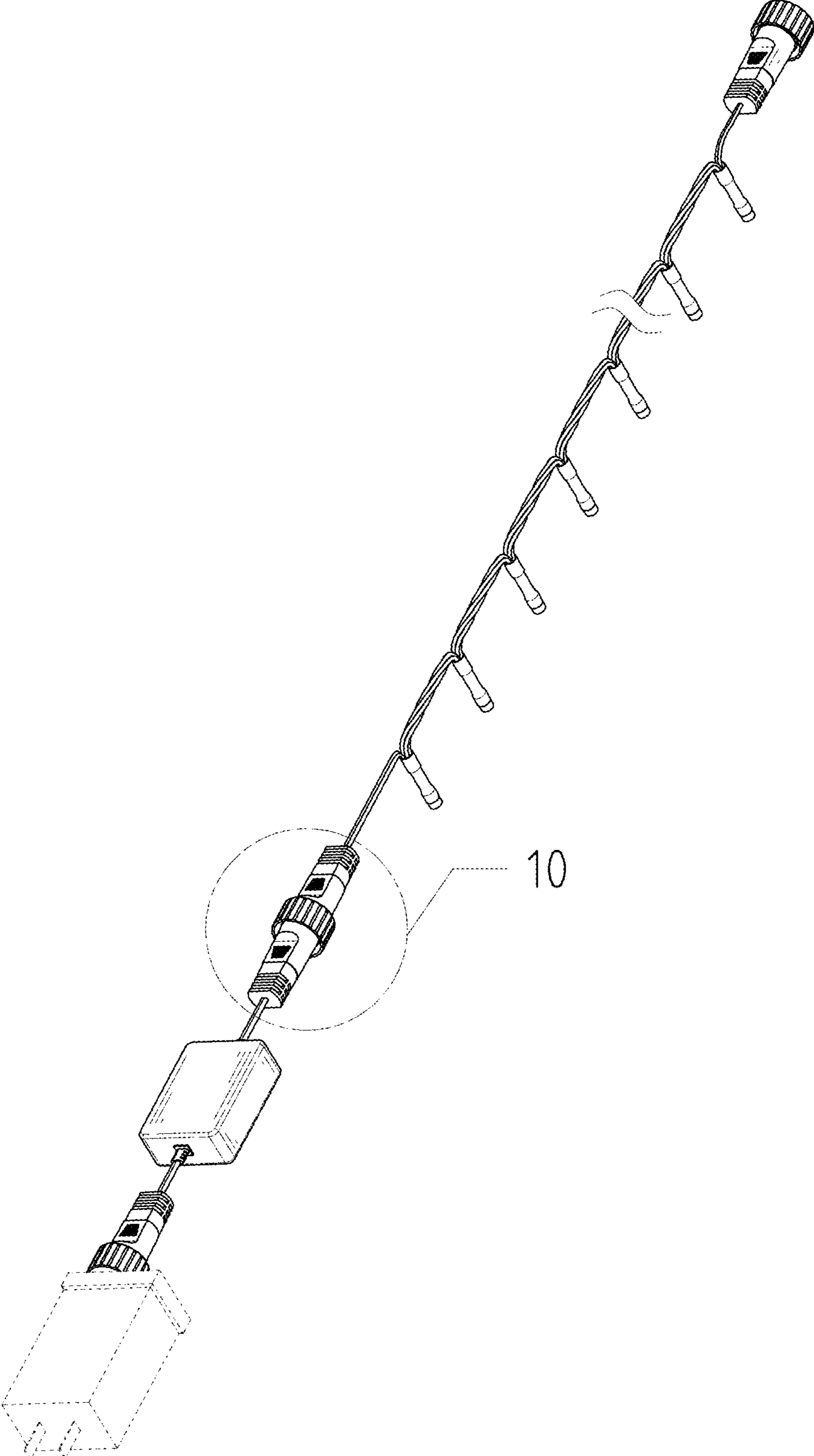


FIG. 1

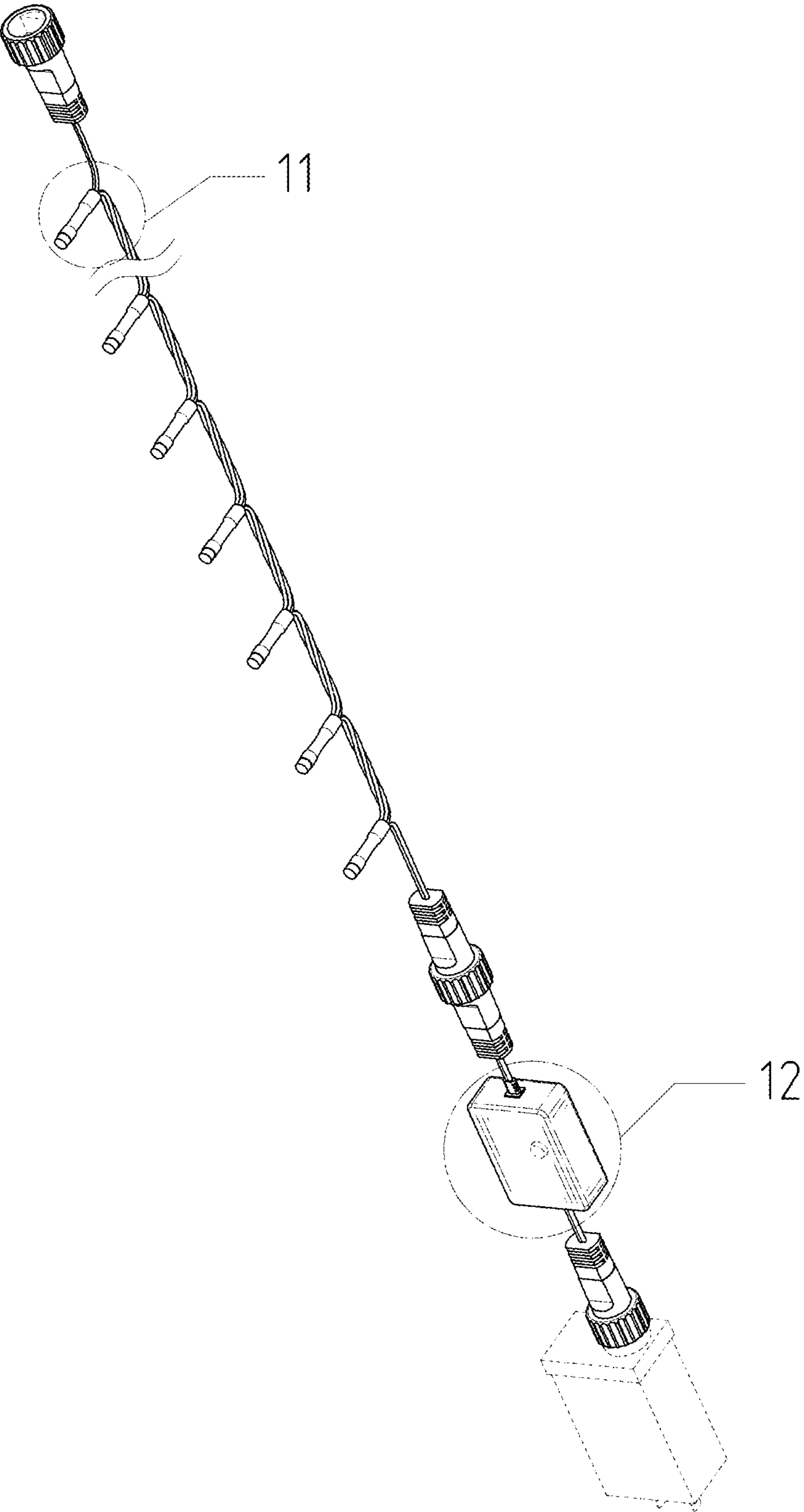


FIG. 2

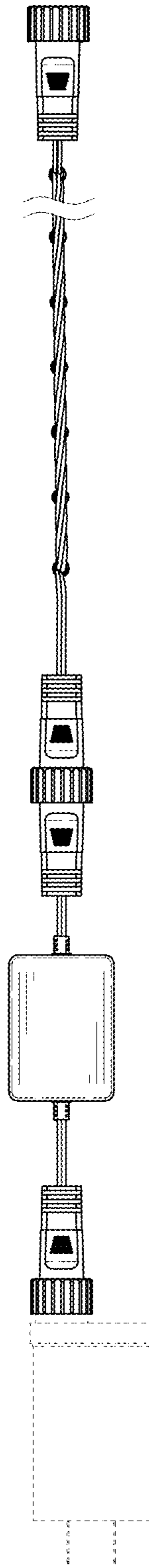


FIG. 3

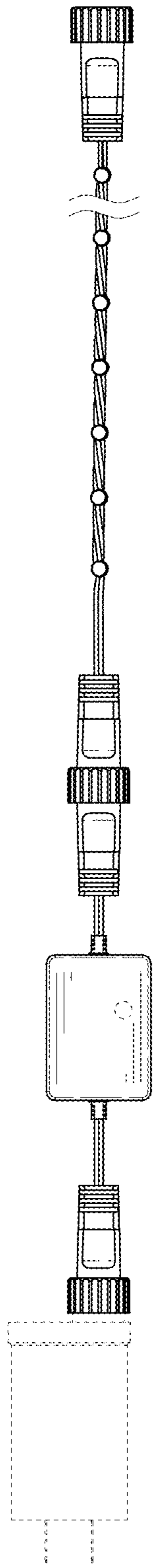


FIG. 4

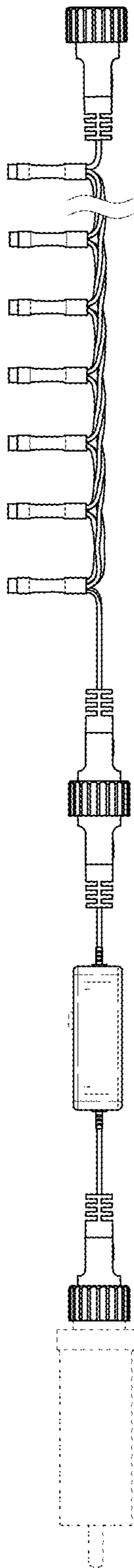


FIG. 5

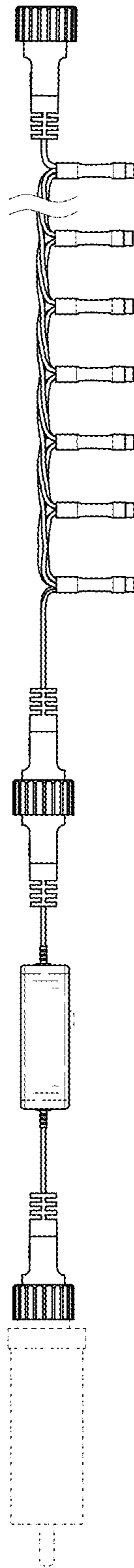


FIG. 6

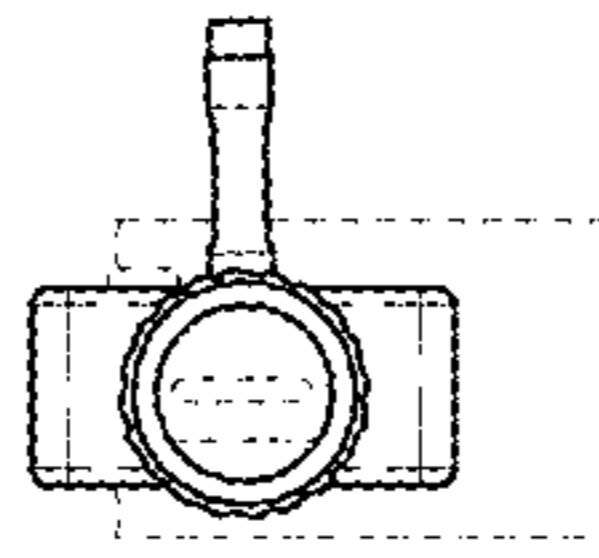


FIG. 7

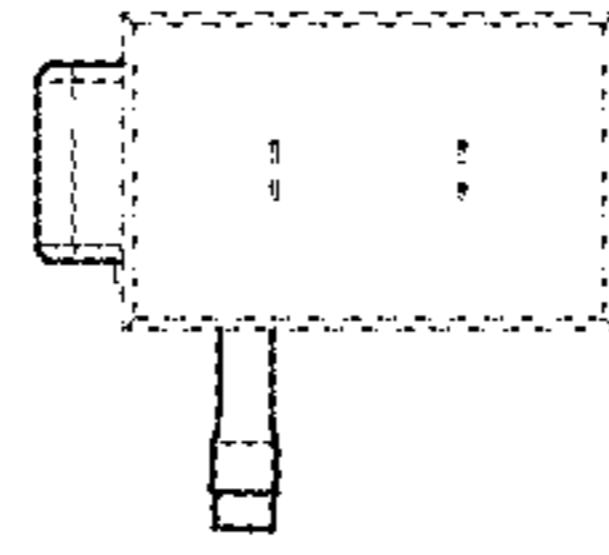


FIG. 8

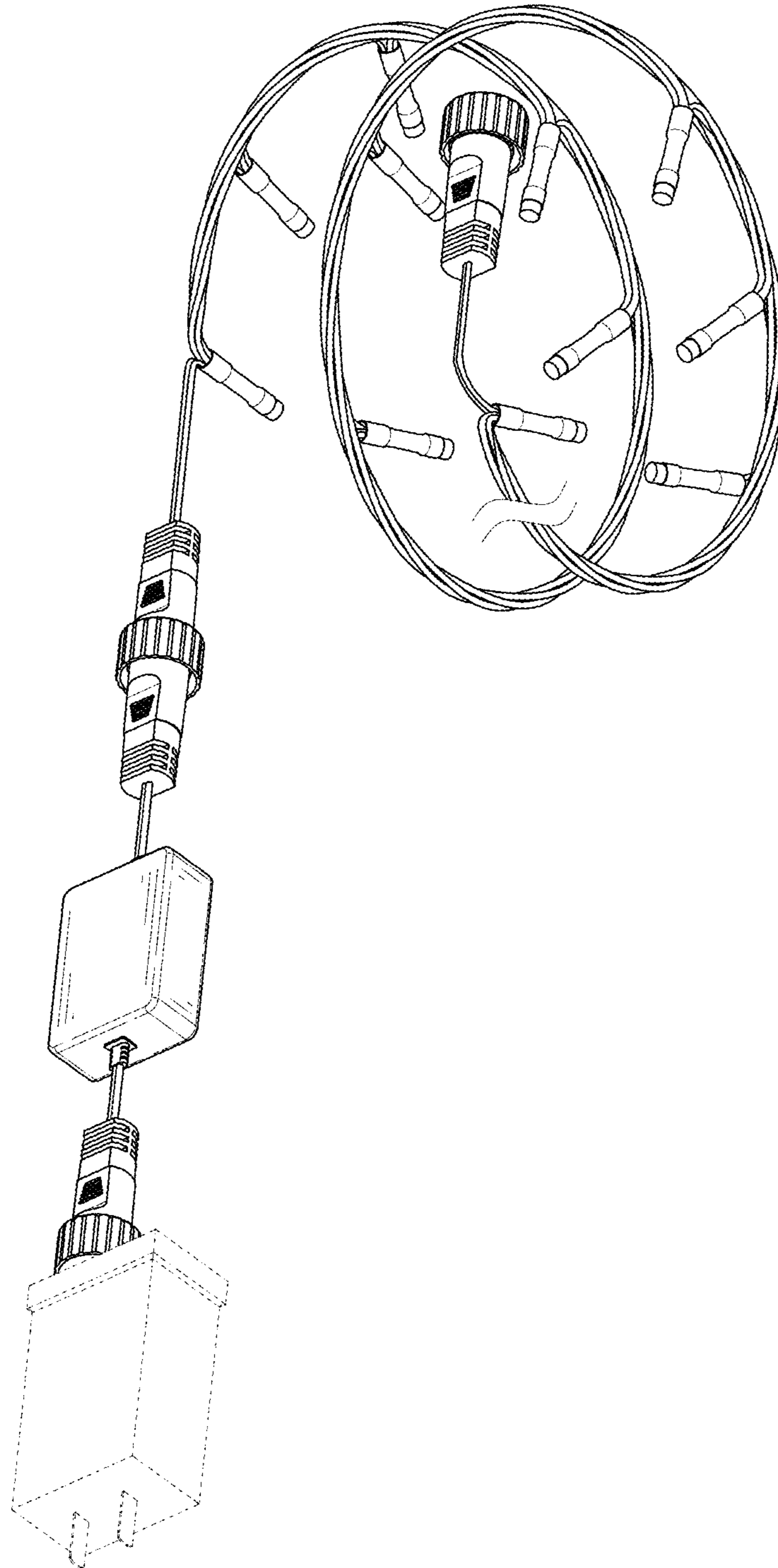


FIG. 9

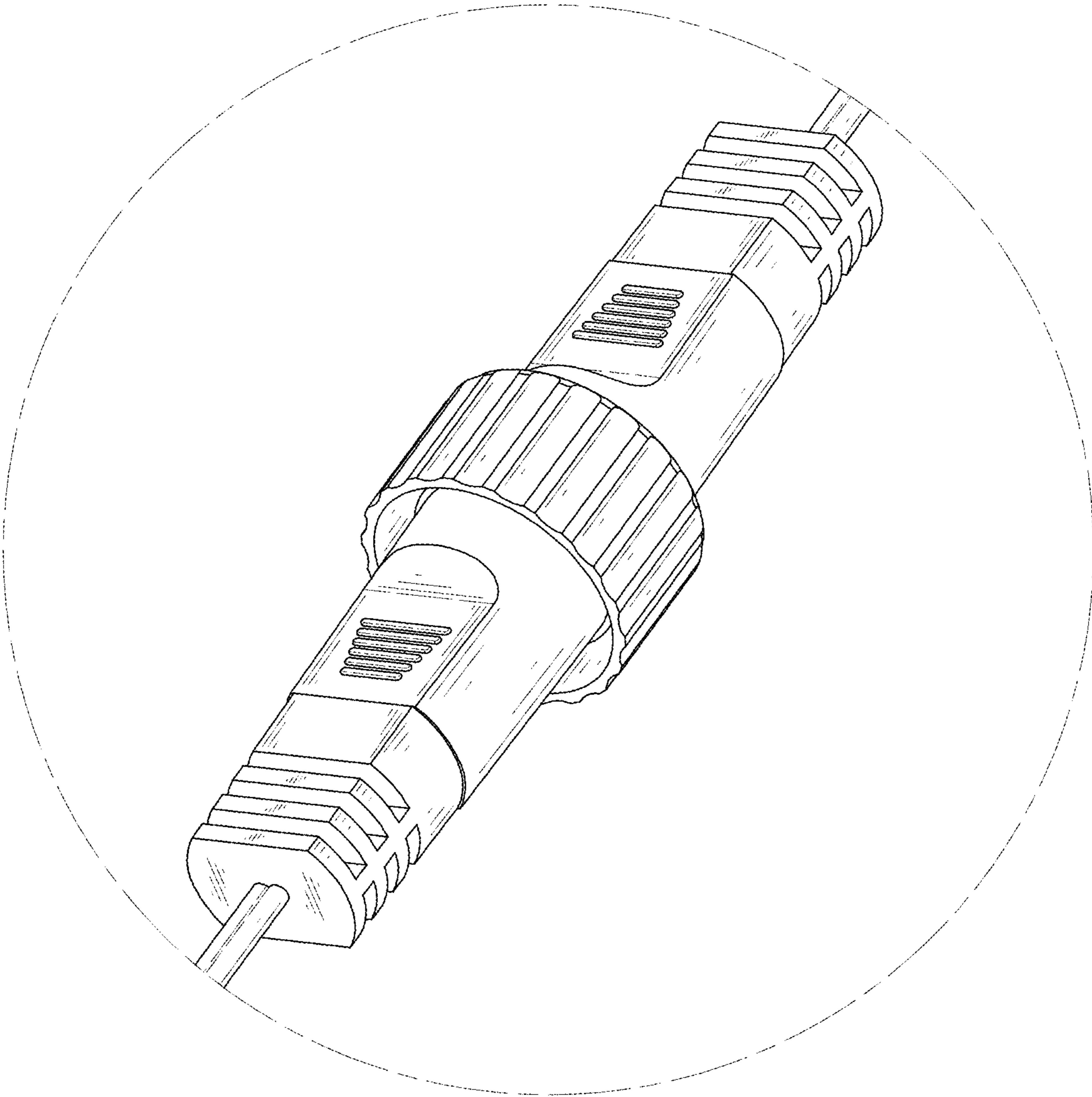


FIG. 10

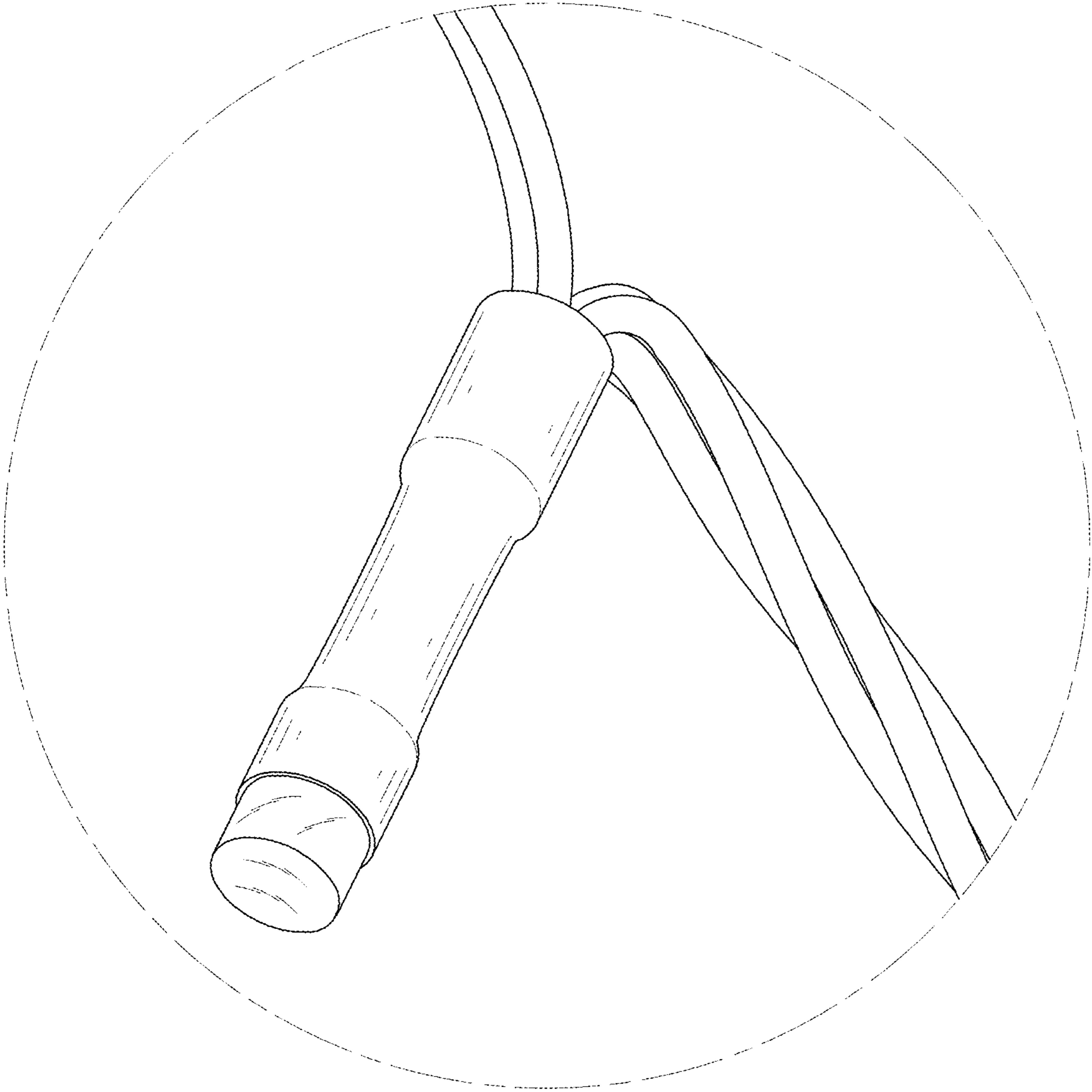


FIG. 11

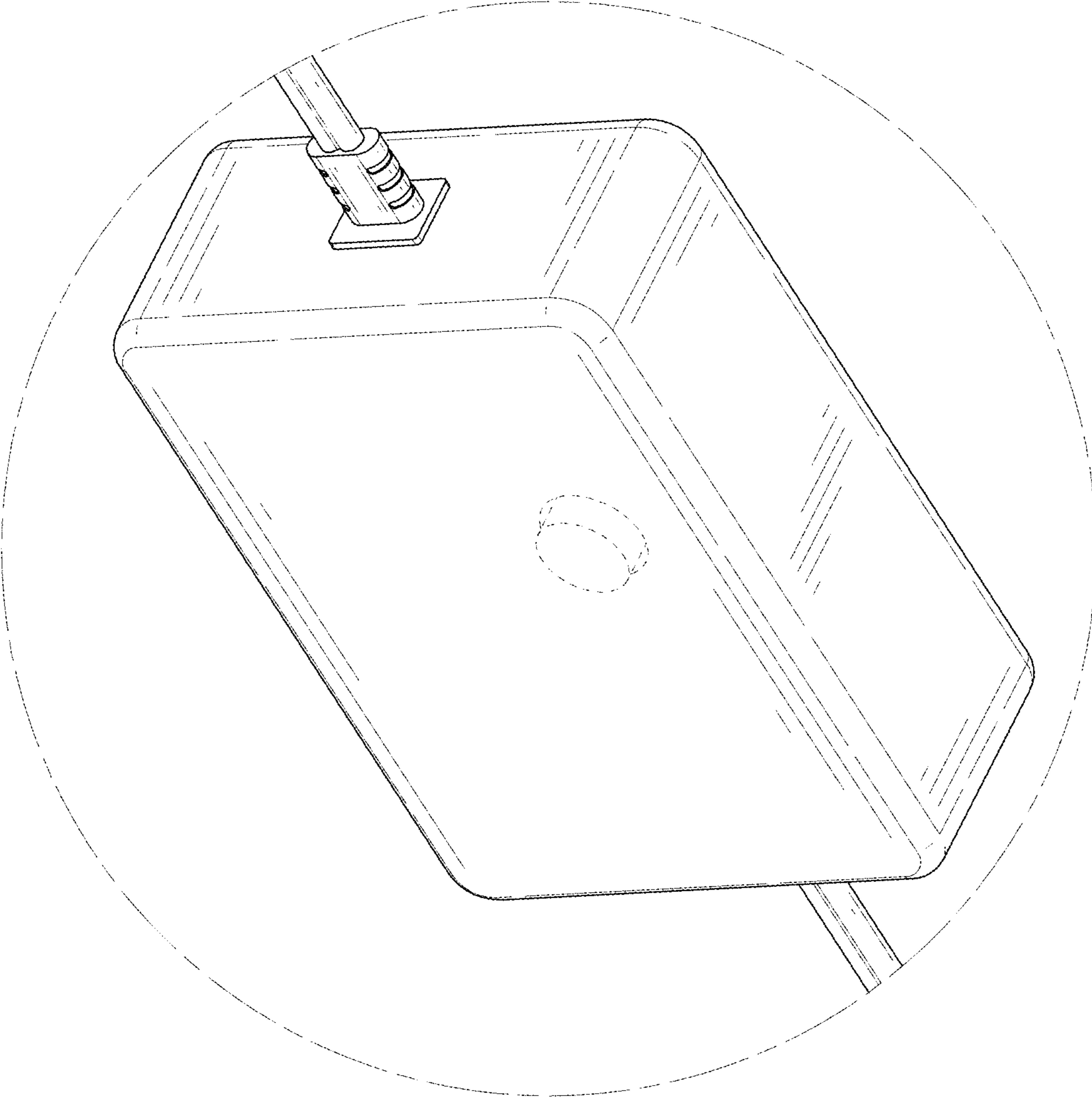


FIG. 12