



US00D968657S

(12) **United States Design Patent**
Johnson

(10) **Patent No.:** **US D968,657 S**

(45) **Date of Patent:** **** Nov. 1, 2022**

(54) **ANGLED BASE TILE**

9,377,160 B1 * 6/2016 Smythe E04F 13/06
D781,463 S * 3/2017 Otto D25/136

(71) Applicant: **M. Christine Johnson**, Jacksonville,
FL (US)

* cited by examiner

(72) Inventor: **M. Christine Johnson**, Jacksonville,
FL (US)

Primary Examiner — Doris Clark

(74) *Attorney, Agent, or Firm* — John Rizvi; John Rizvi,
P. A.—The Patent Professor®

(**) Term: **15 Years**

(57) **CLAIM**

I claim the ornamental design for an angled base tile, as
shown and described.

(21) Appl. No.: **29/737,172**

(22) Filed: **Jun. 5, 2020**

DESCRIPTION

(51) **LOC (13) Cl.** **25-01**

(52) **U.S. Cl.**
USPC **D25/136**

(58) **Field of Classification Search**
USPC D25/136
CPC E04F 13/0733; E04F 19/02; E04F 19/028;
E04F 19/022; E04F 19/064; E04F
2013/063; E04F 2201/0511; E04F
2203/023

See application file for complete search history.

FIG. 1 is a front isometric view of an angled base tile
showing my new design;
FIG. 2 is a front elevation view thereof;
FIG. 3 is a rear elevation view thereof;
FIG. 4 is a top plan view thereof;
FIG. 5 is a bottom plan view thereof.
FIG. 6 is a right side elevation view thereof; and,
FIG. 7 is a left side elevation view thereof.

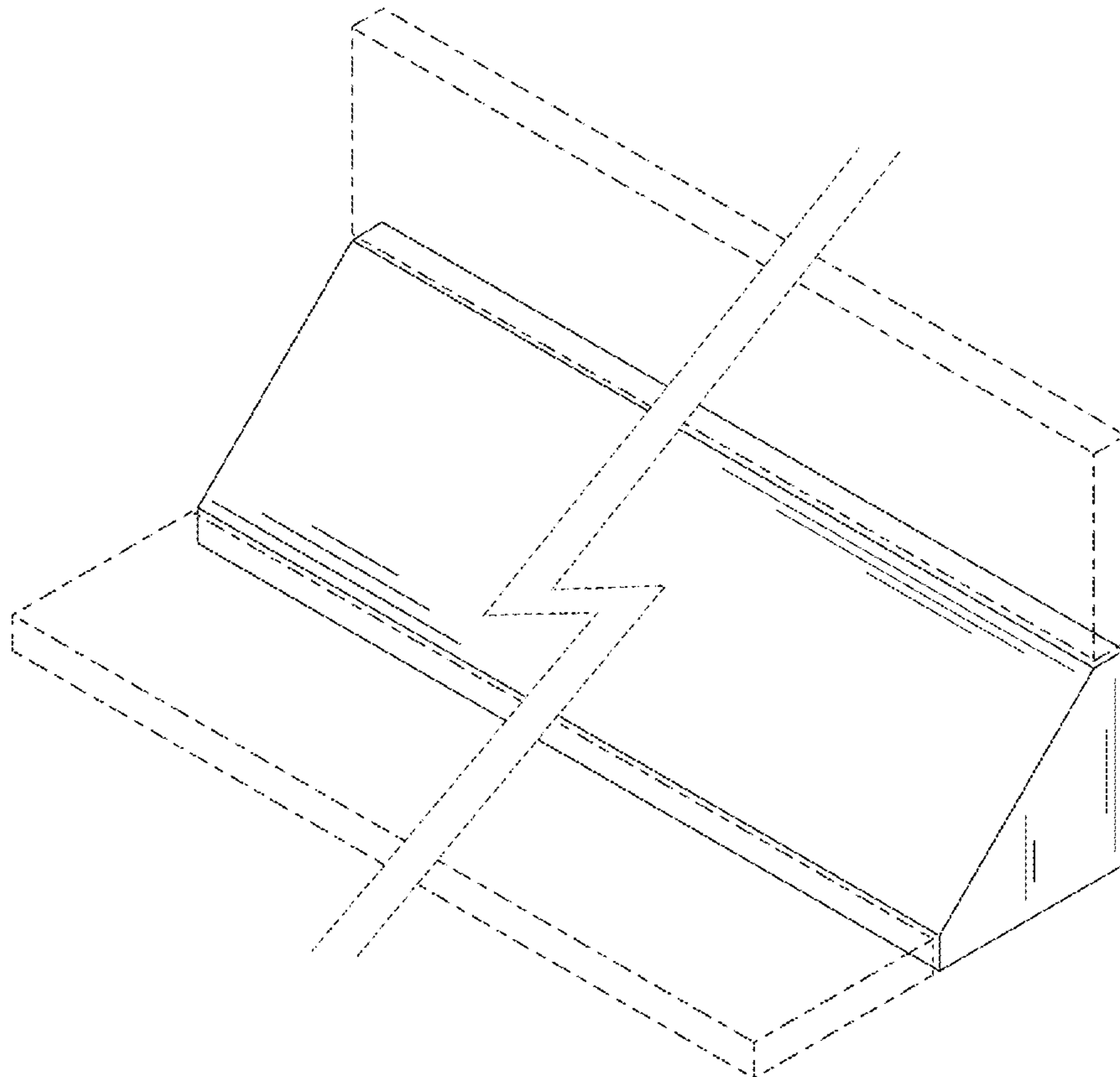
FIGS. 1-7 illustrate broken lines showing a pair of tiles
placed above and normal to the present invention, respec-
tively. In FIGS. 2-5, Applicant has removed some of the
broken lines to ensure clarity and remove unnecessary
clutter. The broken lines showing the rectangular tiles is for
the purpose of illustrating how the angled base tile interacts
with other tile structures and thus, the broken lines forms no
part of the claimed design.

(56) **References Cited**

U.S. PATENT DOCUMENTS

3,419,458 A * 12/1968 Brooks E04F 19/02
428/164
D623,770 S * 9/2010 Johnston D25/136

1 Claim, 7 Drawing Sheets



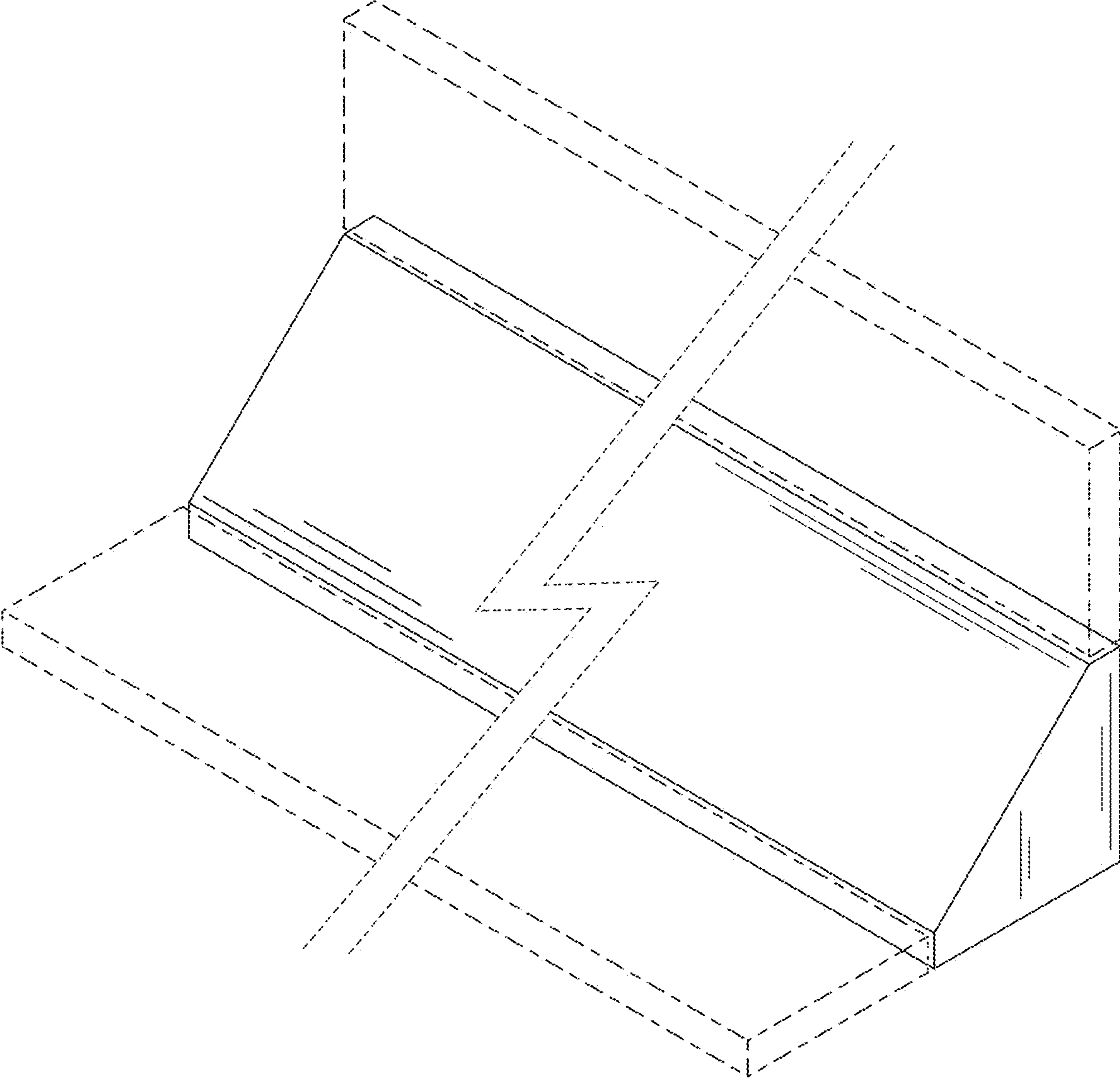


FIG. 1

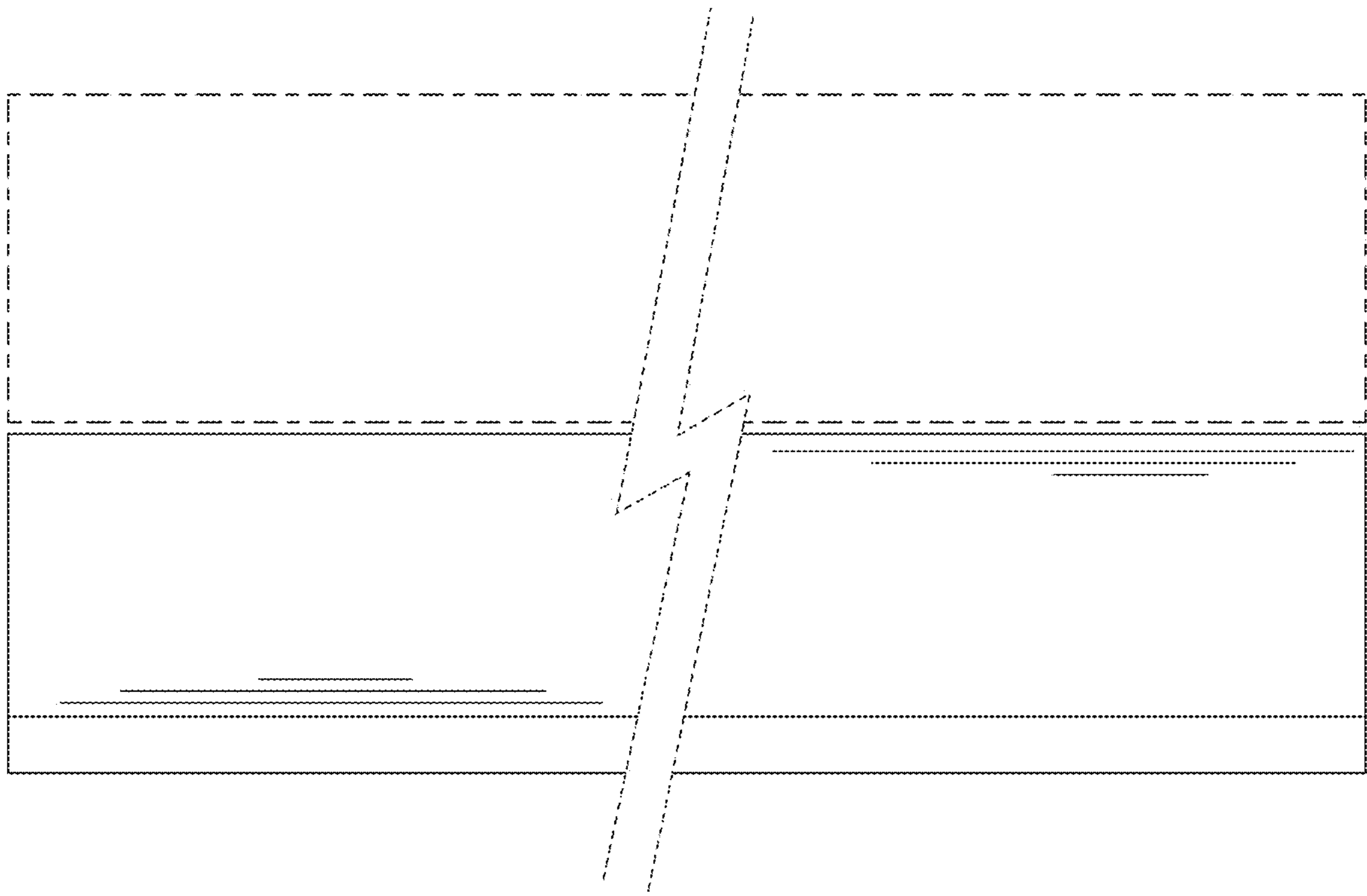


FIG. 2

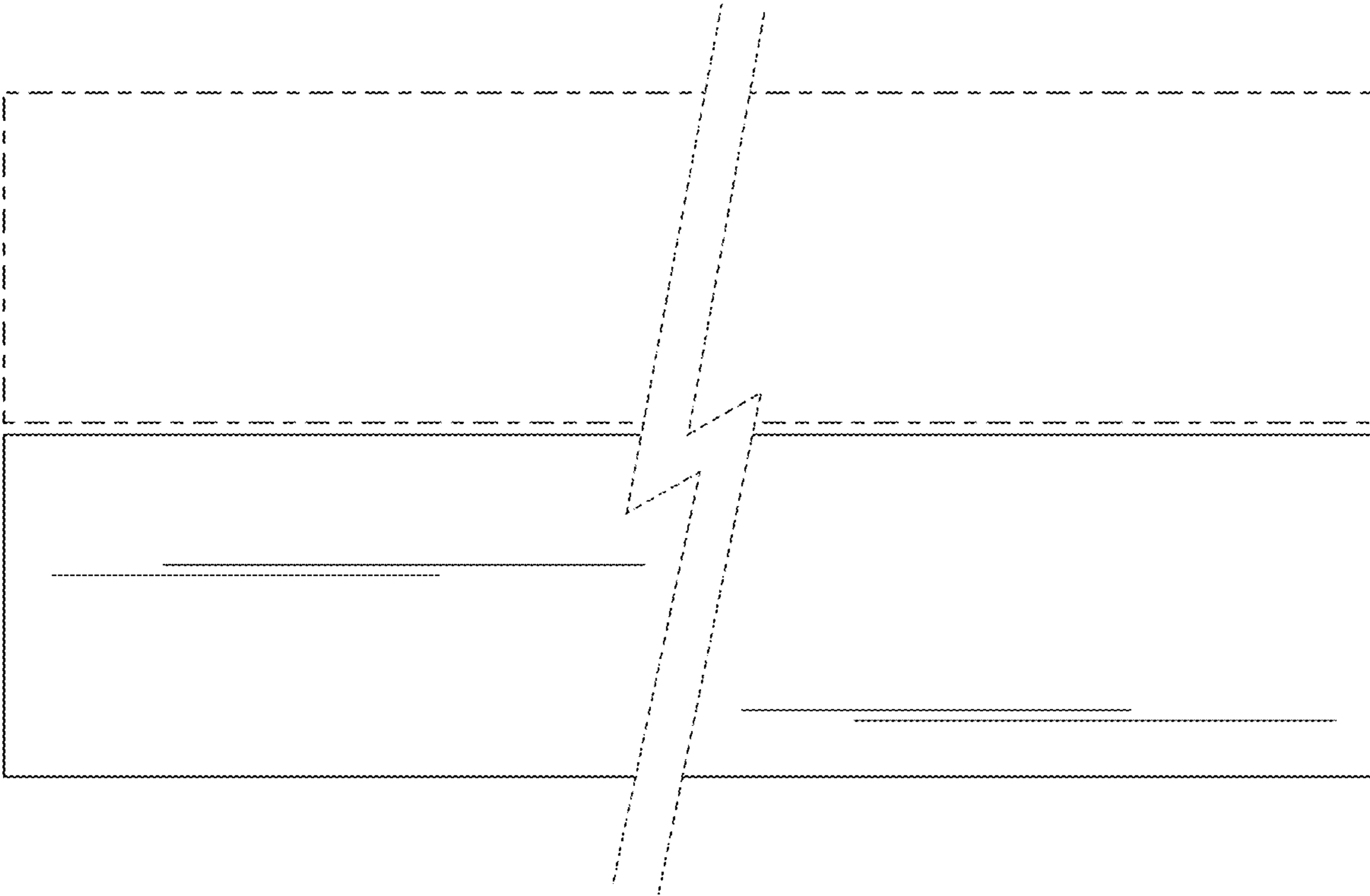


FIG. 3

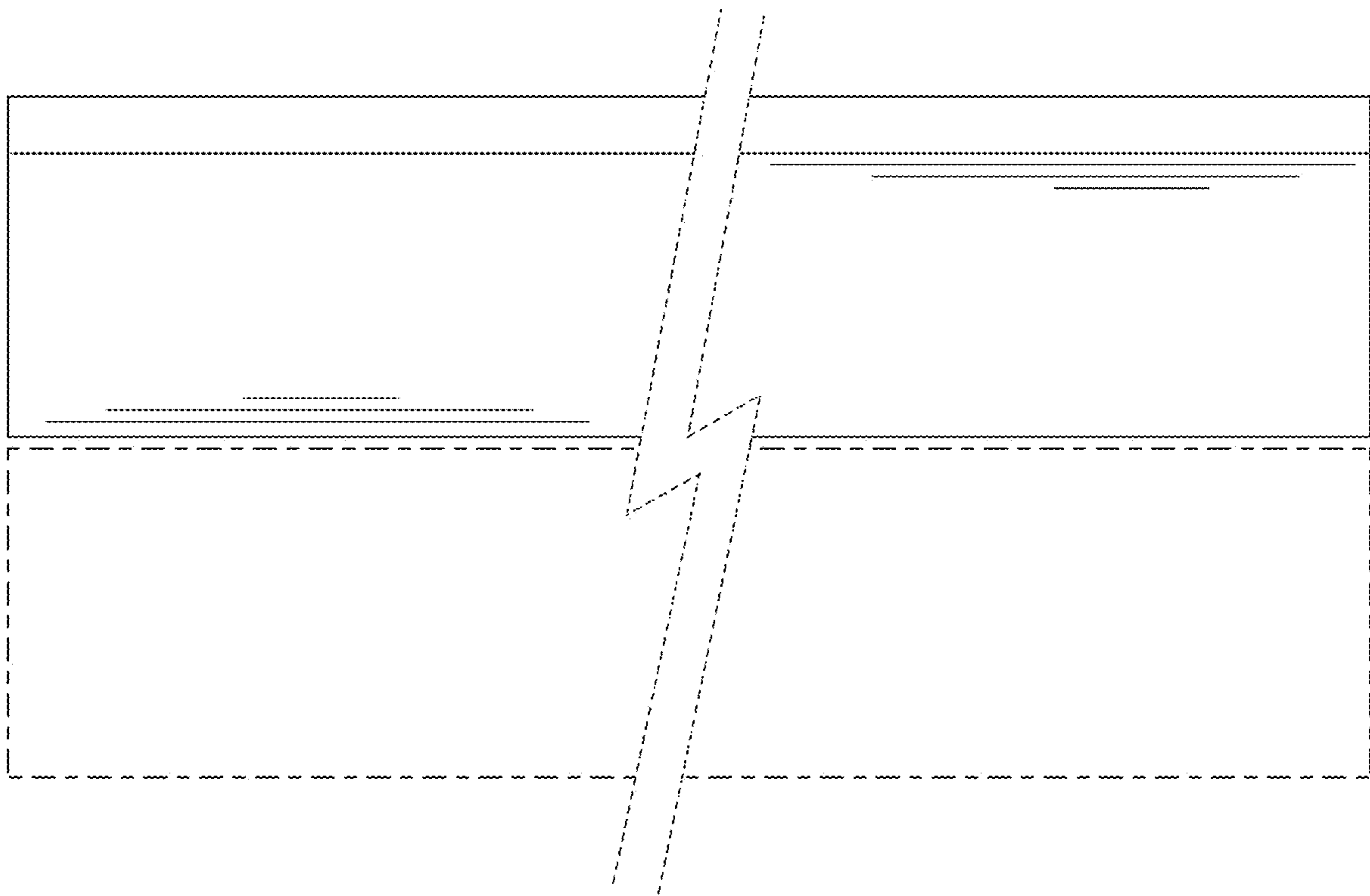


FIG. 4

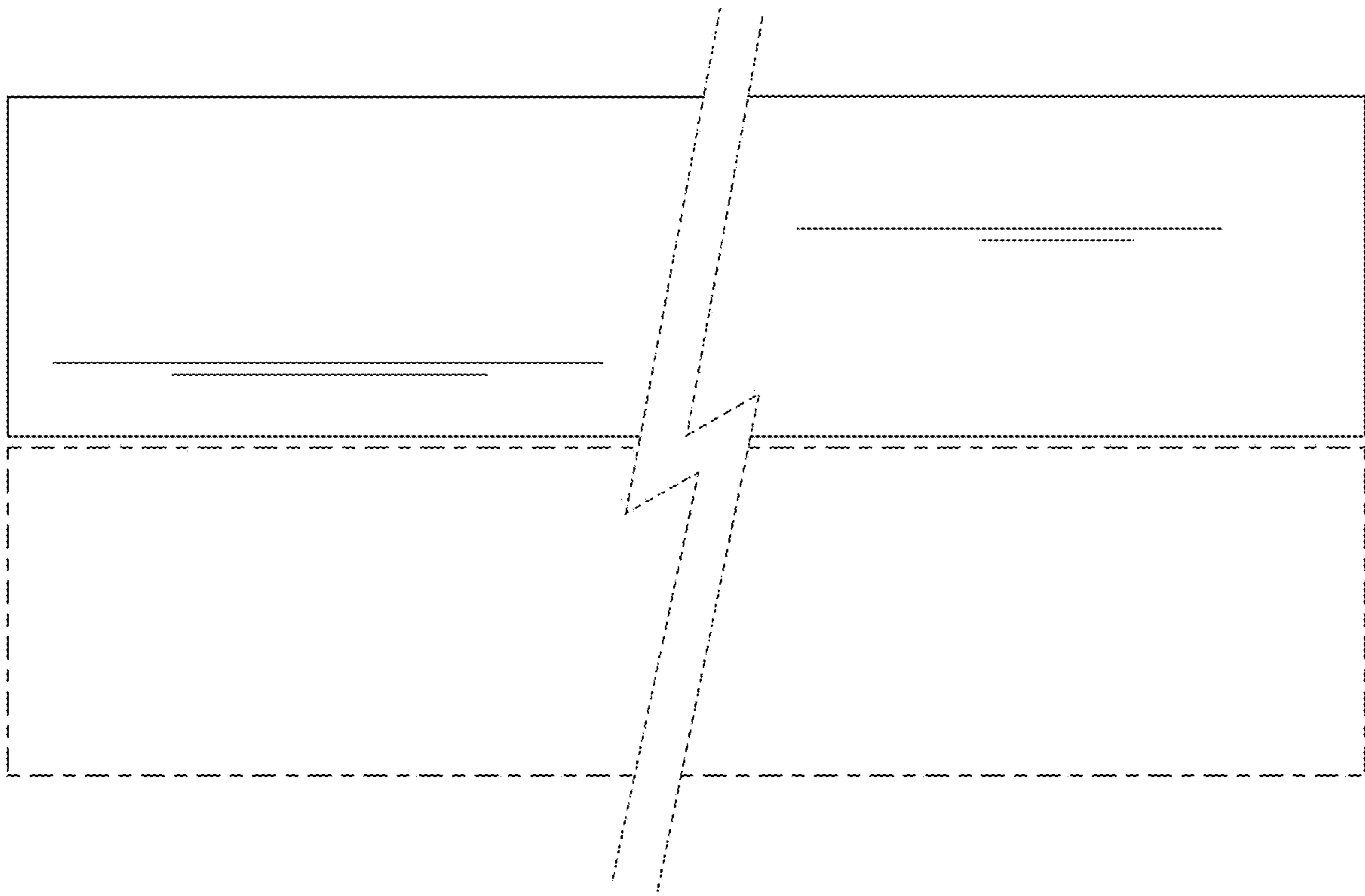


FIG. 5

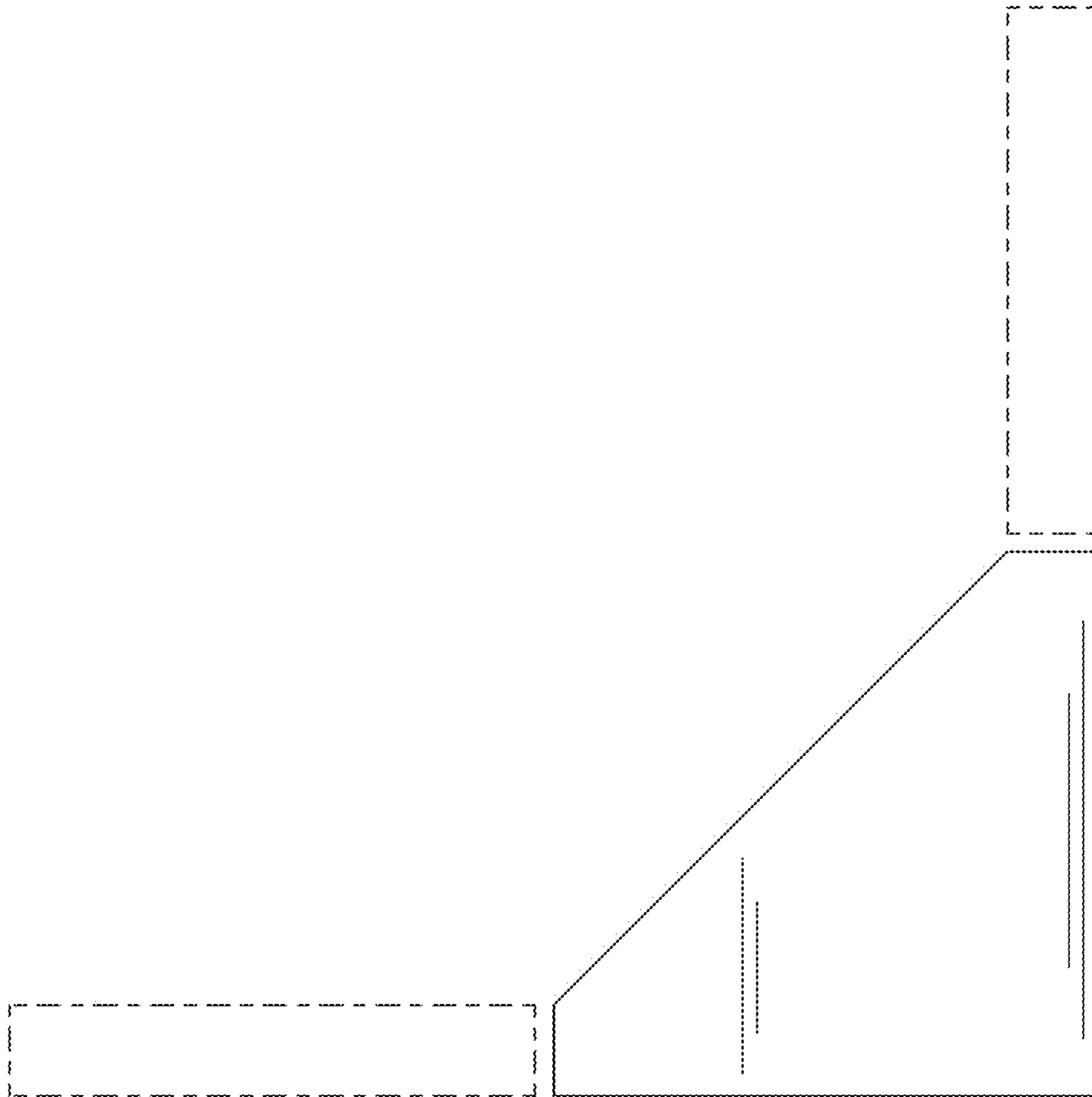


FIG. 6

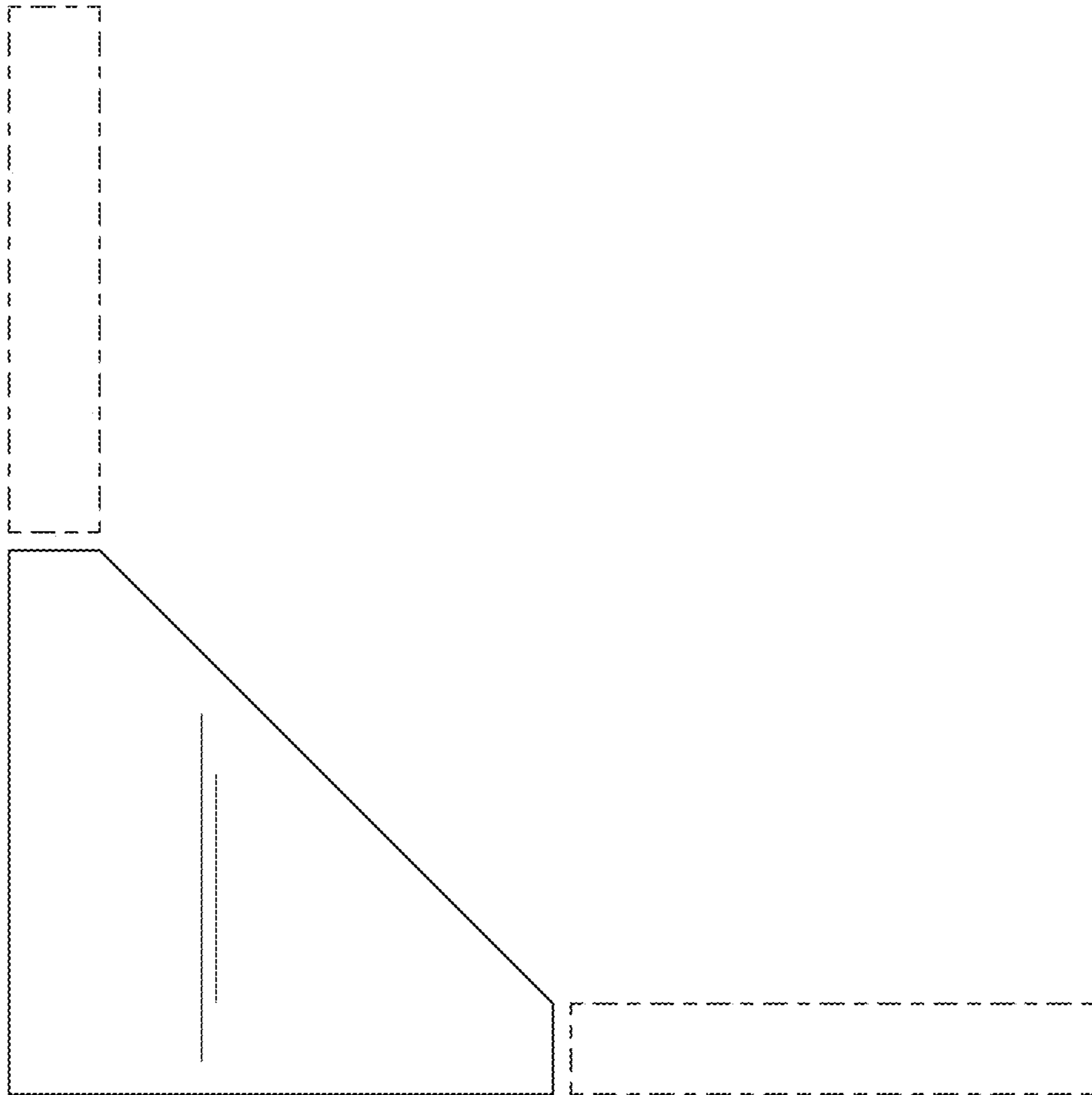


FIG. 7