



US00D968654S

(12) **United States Design Patent** (10) **Patent No.:** **US D968,654 S**
Suga (45) **Date of Patent:** **** Nov. 1, 2022**

- (54) **CONCRETE BUILDING BLOCK**
- (71) Applicant: **ASURO Co., LTD.**, Shiraoka (JP)
- (72) Inventor: **Masaaki Suga**, Shiraoka (JP)
- (73) Assignee: **ASURO Co., LTD.**, Shiraoka (JP)
- (**) Term: **15 Years**
- (21) Appl. No.: **29/819,525**
- (22) Filed: **Dec. 15, 2021**

4,473,985 A	10/1984	Hunt	
5,048,250 A	9/1991	Elias	
5,729,943 A	3/1998	Cambiuzzi	
D409,313 S	5/1999	Behunin	
D542,405 S	5/2007	Esjunin	
D633,630 S	3/2011	Jacot et al.	
D655,021 S	2/2012	Oetlinger	
D893,053 S	8/2020	Bott	
D902,444 S	11/2020	Suga	
D915,627 S	4/2021	Phan et al.	
D945,643 S *	3/2022	Suga	D25/115
D953,580 S *	5/2022	Suga	D25/115
2015/0218805 A1	8/2015	Jensen	
2020/0032513 A1	1/2020	Devito	

Related U.S. Application Data

- (62) Division of application No. 35/510,618, filed on Apr. 23, 2020 (U.S. filing date under 35 U.S.C. 384), and having an international filing date of Apr. 23, 2020, now Pat. No. Des. 953,580.
- (51) **LOC (13) Cl.** **25-01**
- (52) **U.S. Cl.**
USPC **D25/115**
- (58) **Field of Classification Search**
USPC D8/373; D10/113.3; D21/484, 485, 486, D21/489, 491, 494, 499; D25/38.1, 48.2, D25/48.4, 60, 112-116, 118, 119, 136, D25/138, 140, 141, 134, 156, 163, 199
CPC E04B 2/18; E04B 2/46; E04B 2/54; E04B 2002/0208; E04C 1/41
See application file for complete search history.

(56) **References Cited**

U.S. PATENT DOCUMENTS

308,577 A	11/1884	Richards
D138,256 S	7/1944	McCammon
2,498,276 A	2/1950	Kany
D225,846 S	1/1973	Cruzen, Jr.
3,855,752 A	12/1974	Aylon
D245,999 S	10/1977	Strigle, Jr.
4,094,380 A	6/1978	Kobayashi et al.

FOREIGN PATENT DOCUMENTS

GB RGN 306013840 8/2020

* cited by examiner

Primary Examiner — Richard Kearney

(74) *Attorney, Agent, or Firm* — Saidman DesignLaw Group, LLC

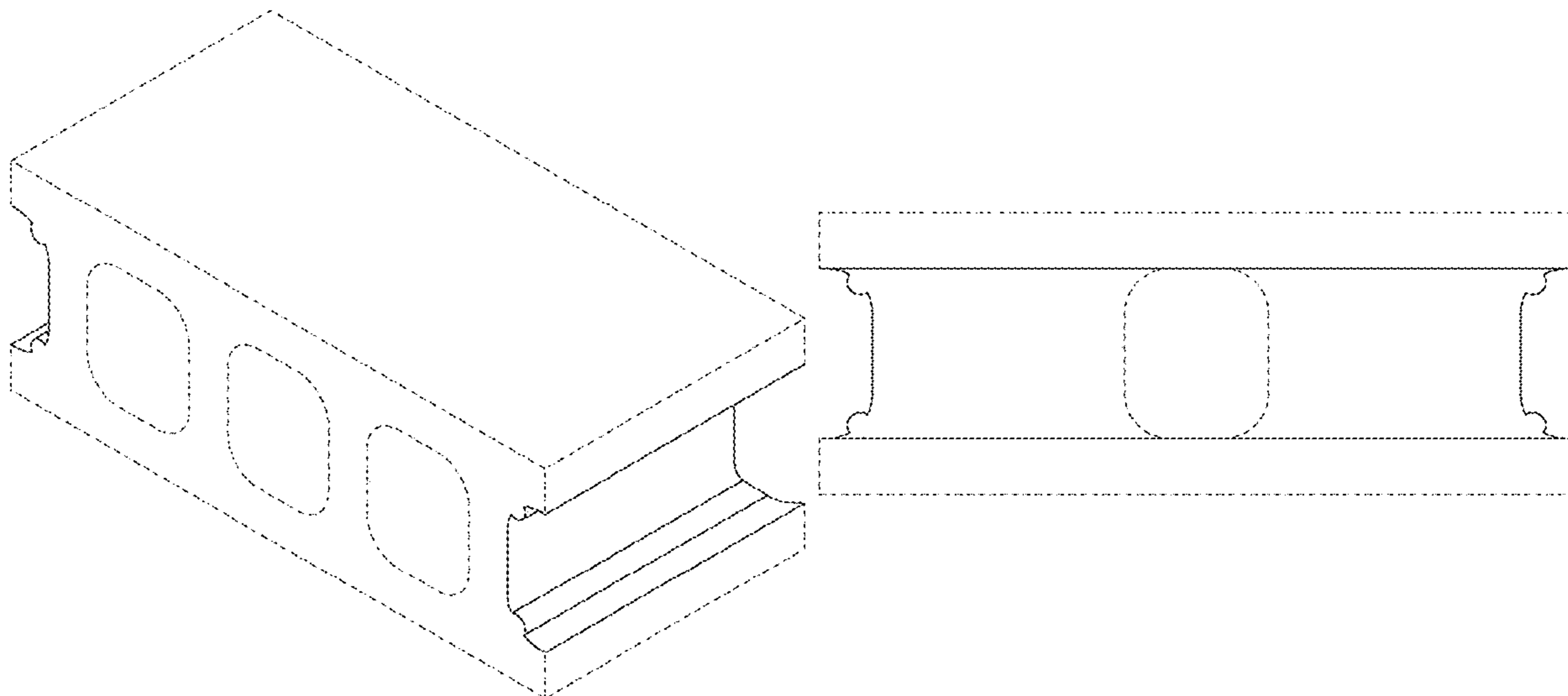
(57) **CLAIM**

The ornamental design for a concrete building block, as shown and described.

DESCRIPTION

FIG. 1 is a perspective view of a concrete building block showing my new design;
 FIG. 2 is a front view thereof;
 FIG. 3 is a rear view thereof;
 FIG. 4 is a top view thereof;
 FIG. 5 is a bottom view thereof;
 FIG. 6 is a left side view thereof;
 FIG. 7 is a right side view thereof; and,
 FIG. 8 is a cross-sectional view of FIG. 2 thereof.
 The broken lines depict portions of the concrete building block which form no part of the claimed design.

1 Claim, 8 Drawing Sheets



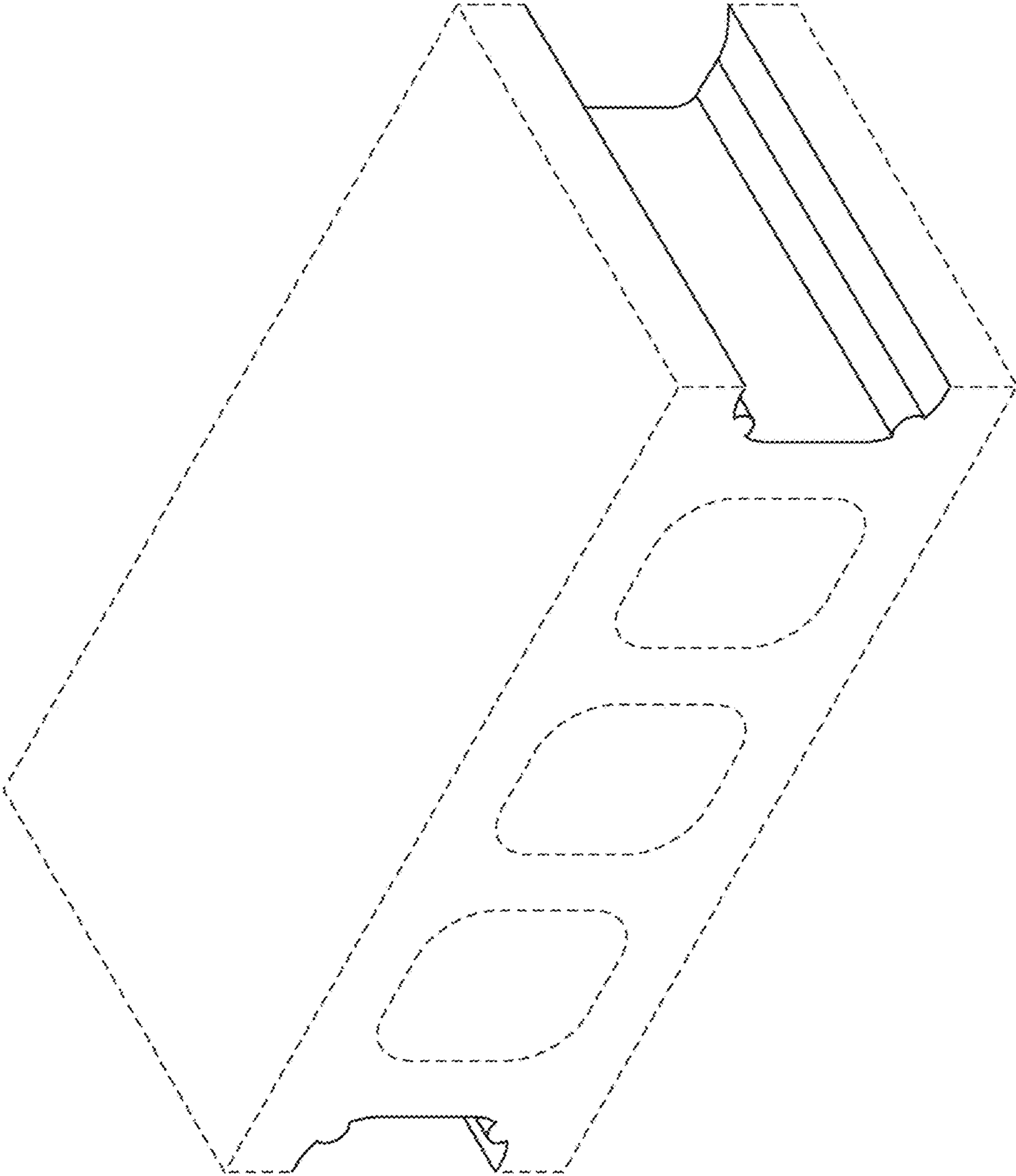


FIG. 1

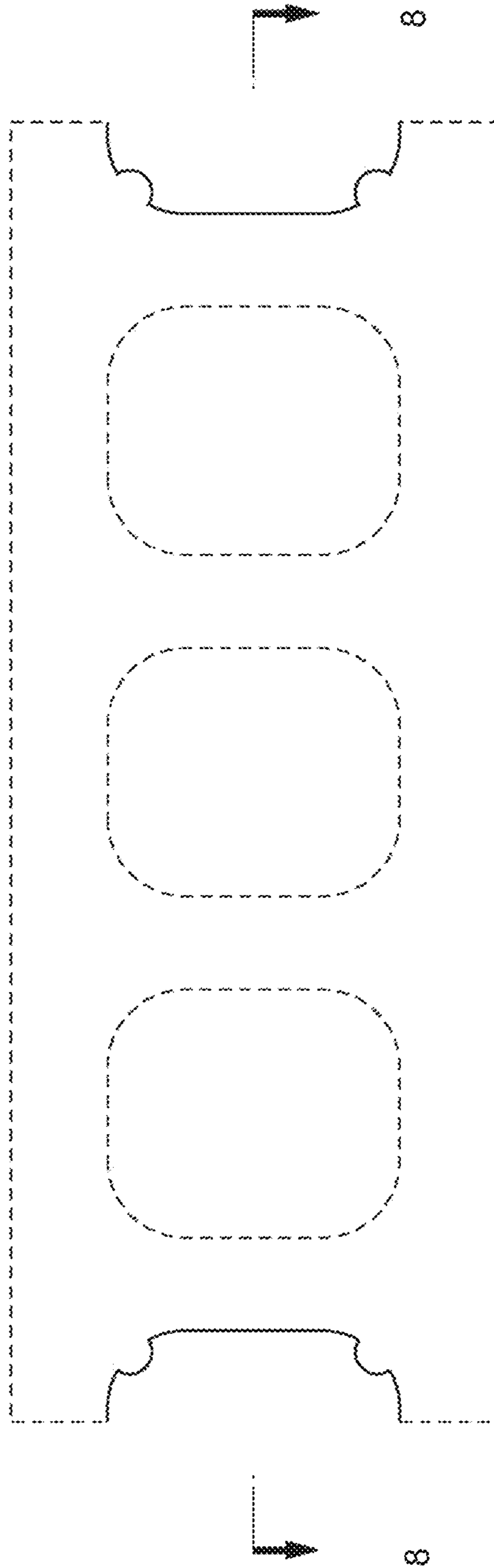


FIG. 2

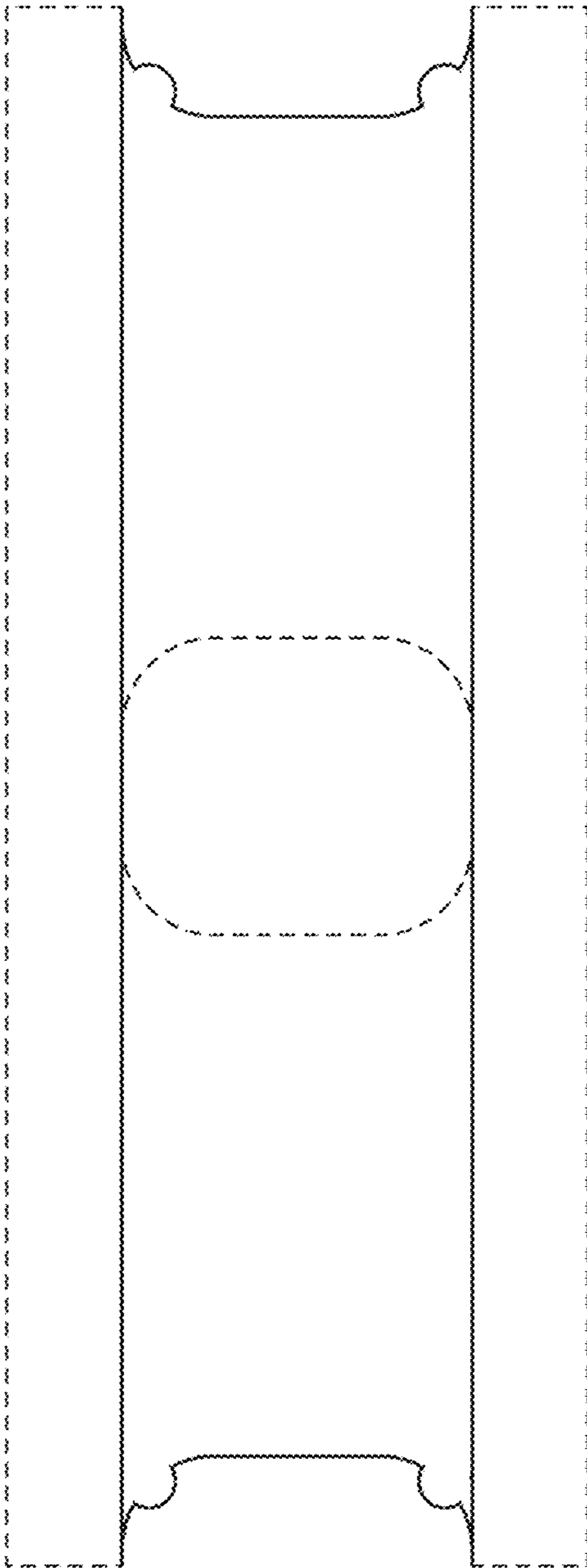


FIG. 3

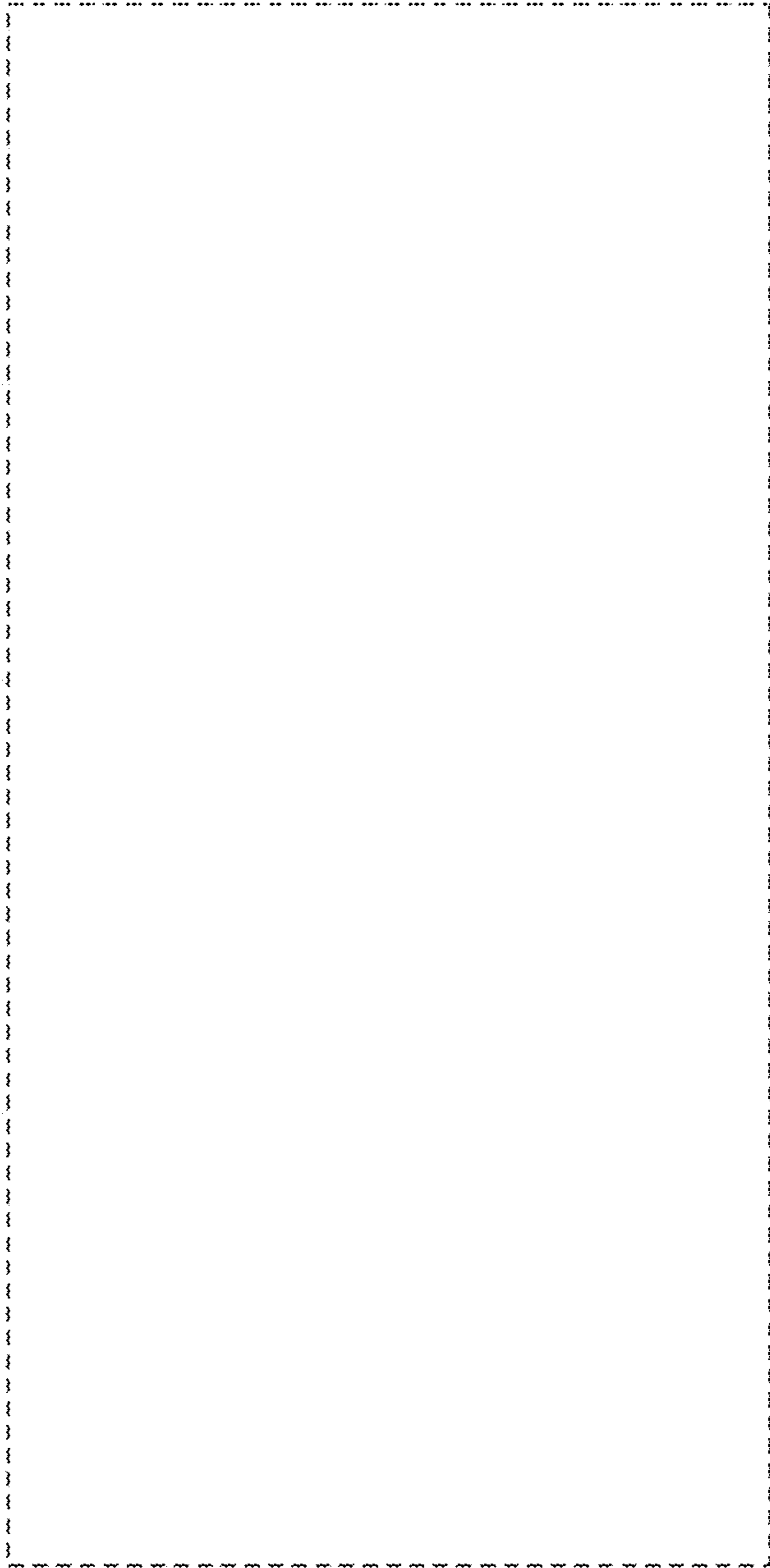


FIG. 4

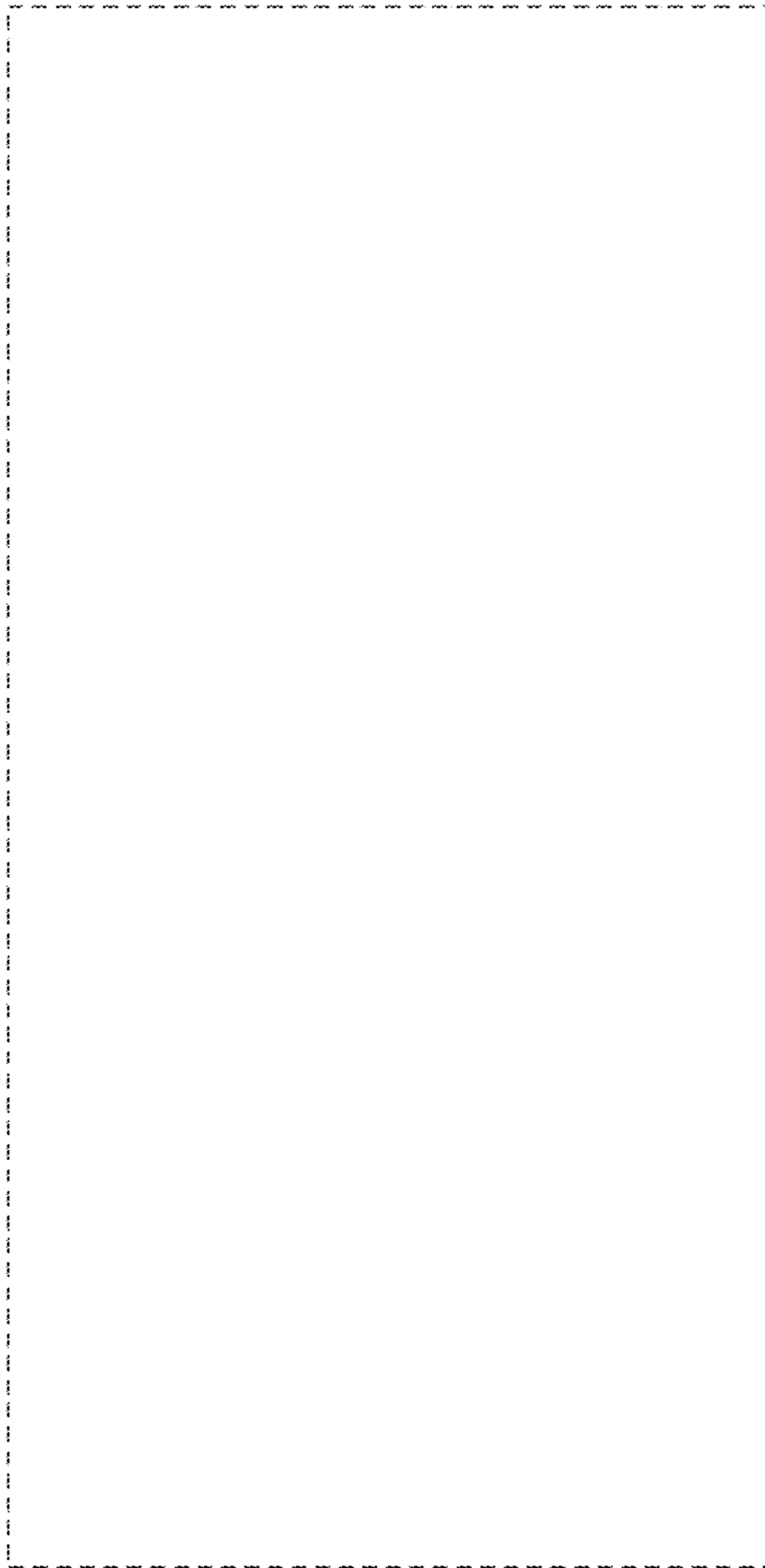


FIG. 5

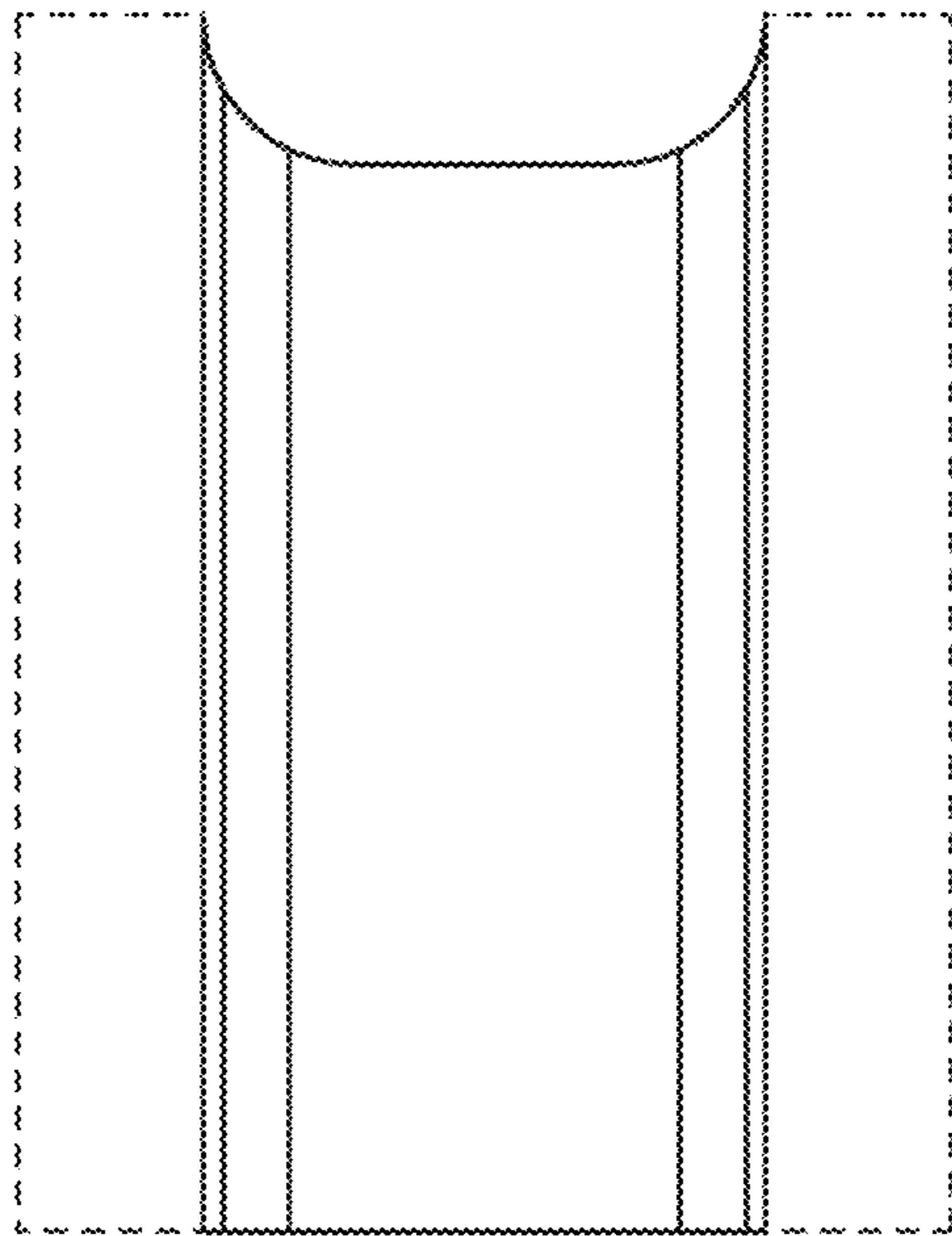


FIG. 6

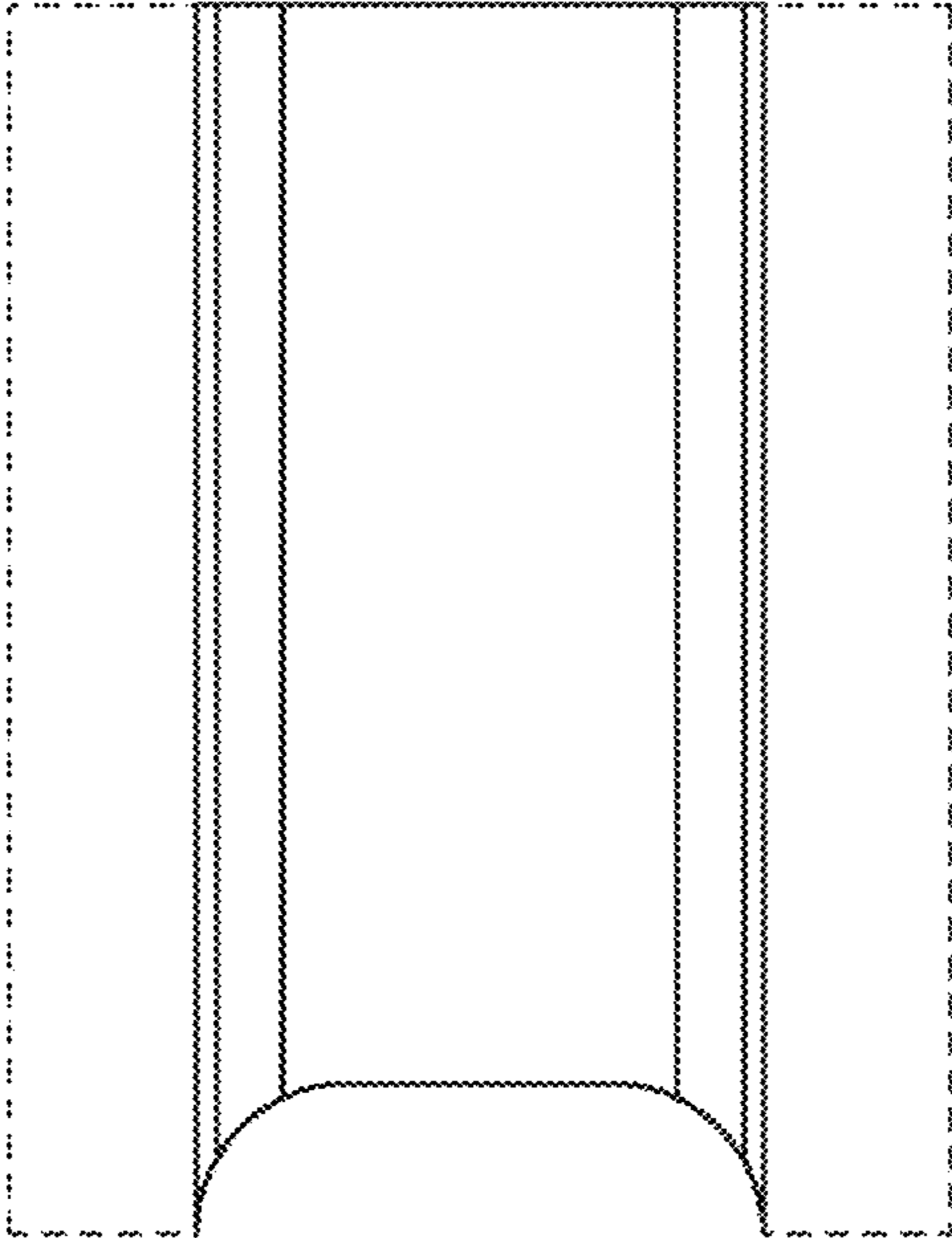


FIG. 7

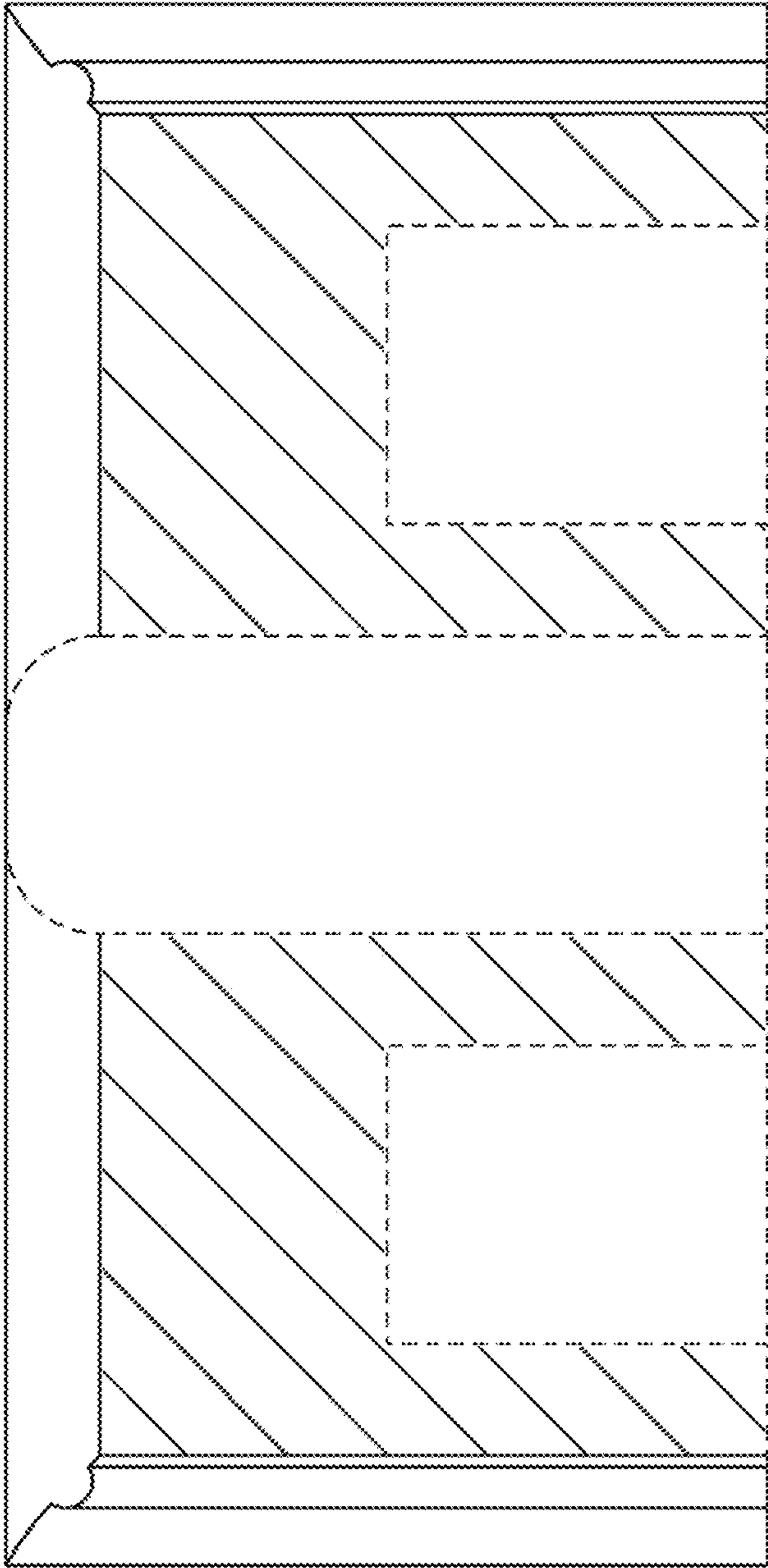


FIG. 8

UNITED STATES PATENT AND TRADEMARK OFFICE
CERTIFICATE OF CORRECTION

PATENT NO. : D968,654 S
APPLICATION NO. : 29/819525
DATED : November 1, 2022
INVENTOR(S) : Masaaki Suga

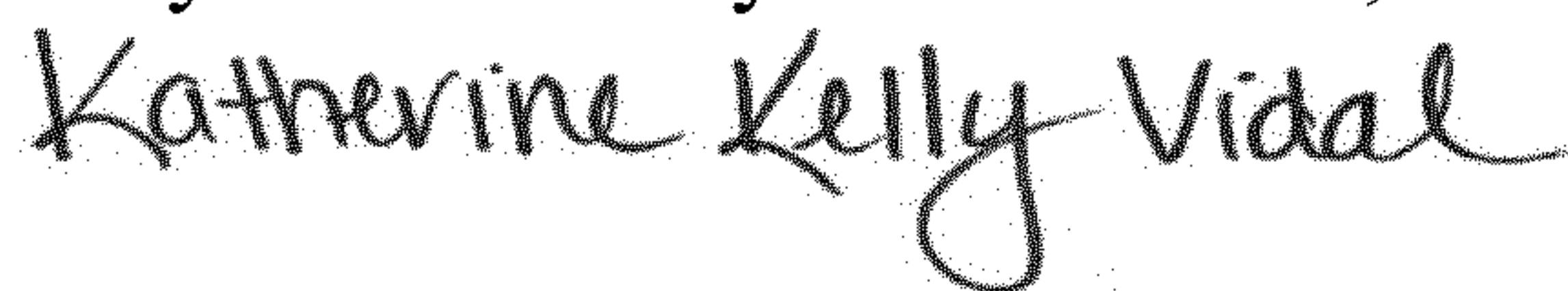
Page 1 of 1

It is certified that error appears in the above-identified patent and that said Letters Patent is hereby corrected as shown below:

On the Title Page

Column 1, Line 1 Insert the following:
--(30) Foreign Application Priority Data
Dec. 6, 2019 (JP) 2019-027114 D--

Signed and Sealed this
Twenty-seventh Day of December, 2022



Katherine Kelly Vidal
Director of the United States Patent and Trademark Office