



US00D968649S

(12) **United States Design Patent** (10) **Patent No.:** **US D968,649 S**  
**Woods et al.** (45) **Date of Patent:** **\*\* Nov. 1, 2022**

(54) **TELEPHONE BOOTH**  
(71) Applicant: **Screen Solutions Limited**, Peacehaven (GB)  
(72) Inventors: **Simon Woods**, Brighton (GB); **Gary Bevis**, Brighton (GB)  
(73) Assignee: **Buzzispace NV**, Kontich (BE)  
(\*\*) Term: **15 Years**  
(21) Appl. No.: **29/755,750**  
(22) Filed: **Oct. 22, 2020**

D911,552 S \* 2/2021 Kitada ..... D25/16  
10,907,370 B1 \* 2/2021 Waskey ..... E04B 1/8218  
D912,844 S \* 3/2021 Pucci ..... D25/16  
D921,926 S \* 6/2021 Ko ..... D25/16  
D933,852 S \* 10/2021 Zhu ..... D25/16  
2020/0018060 A1 \* 1/2020 Watanabe ..... E04H 1/125  
2020/0128959 A1 \* 4/2020 Agrawal ..... G07C 9/27

**FOREIGN PATENT DOCUMENTS**

CN 304673700 \* 6/2018  
EM 000389341-0002 10/2005  
EM 000495056-0002 5/2006  
EM 000495056-0003 5/2006  
EM 000495056-0004 5/2006

(Continued)

*Primary Examiner* — Brett Miller  
*Assistant Examiner* — Jasmine L. Comedy  
(74) *Attorney, Agent, or Firm* — Diederiks & Whitelaw, PLC.

(30) **Foreign Application Priority Data**  
Jun. 1, 2020 (EM) ..... 007978747  
(51) **LOC (13) Cl.** ..... **25-03**  
(52) **U.S. Cl.**  
USPC ..... **D25/16**  
(58) **Field of Classification Search**  
USPC ..... D25/1-35; D6/332, 337, 640  
CPC ..... E04H 1/14; E04H 1/125  
See application file for complete search history.

(57) **CLAIM**

The ornamental design for a telephone booth, as shown and described.

**DESCRIPTION**

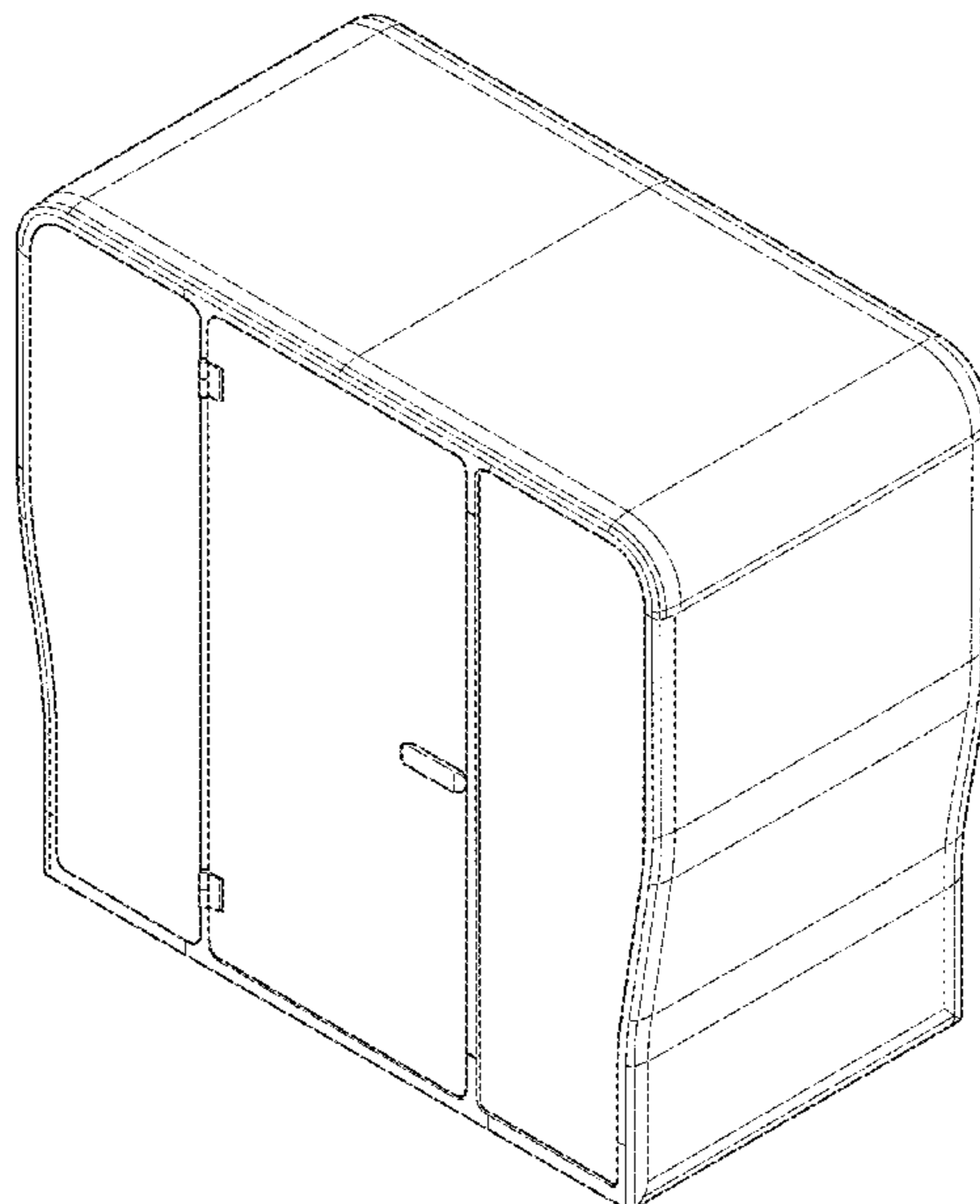
FIG. 1 is a perspective view of a telephone booth according to the design;  
FIG. 2 is a front elevational view of the telephone booth of FIG. 1;  
FIG. 3 is a rear elevational view of the telephone booth of FIG. 1;  
FIG. 4 is a top view of the telephone booth of FIG. 1;  
FIG. 5 is a left side view of the telephone booth of FIG. 1; and,  
FIG. 6 is a right side view of the telephone booth of FIG. 1. The broken lines depict environment and form no part of the claimed design.

(56) **References Cited**

**U.S. PATENT DOCUMENTS**

D583,963 S 12/2008 Lazala  
D787,704 S 5/2017 Walter  
D789,551 S \* 6/2017 Mayer ..... D25/16  
D816,244 S \* 4/2018 Mayer ..... D25/16  
D844,810 S \* 4/2019 Hallfors ..... D25/16  
D844,817 S \* 4/2019 Zhu ..... D25/16  
D844,818 S \* 4/2019 Zhu ..... D25/16  
D872,302 S \* 1/2020 Tibi ..... D25/16  
D886,324 S \* 6/2020 Haveri ..... D25/16  
D895,148 S \* 9/2020 Wallinmaa ..... D25/18  
D907,798 S \* 1/2021 Zhu ..... D25/16  
D910,206 S \* 2/2021 Nakata ..... D25/16

**1 Claim, 6 Drawing Sheets**



(56)

**References Cited**

FOREIGN PATENT DOCUMENTS

EM	000495056-0005	5/2006
EM	000495056-0006	5/2006
EM	002277897-0001	7/2013
EM	002643726-0005	3/2015
EM	002681650-0007	4/2015
EM	002681650-0008	4/2015
EM	004350452-0001	9/2017
EM	004114759-0006	* 10/2017
EM	004680916-0001	4/2018
EM	005577624-0004	9/2018
EM	005577624-0005	9/2018
EM	005577624-0006	9/2018
EM	005577624-0007	9/2018
EM	005946878-0002	* 1/2019
GB	6051860	* 1/2019

\* cited by examiner

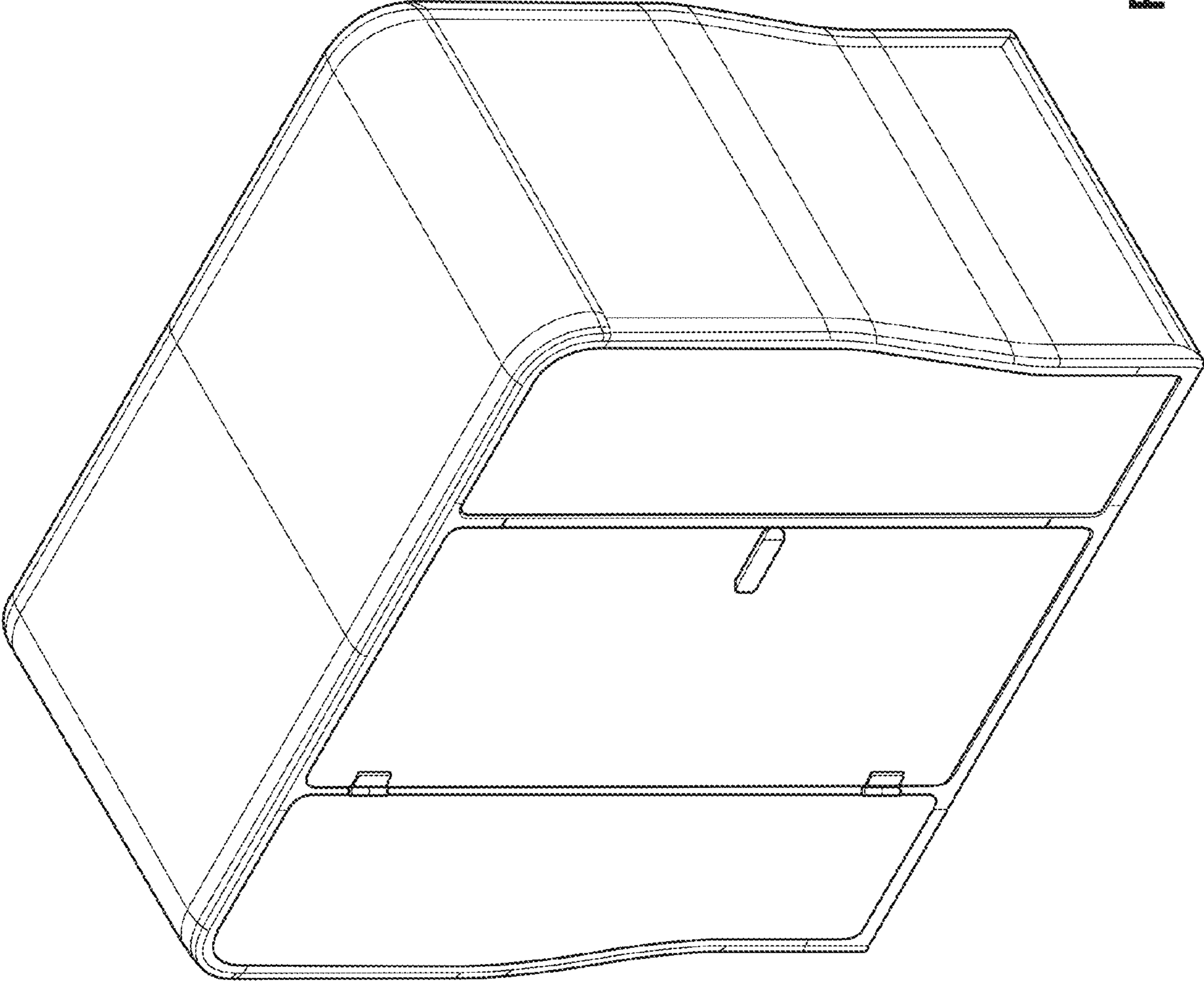


FIG. 1

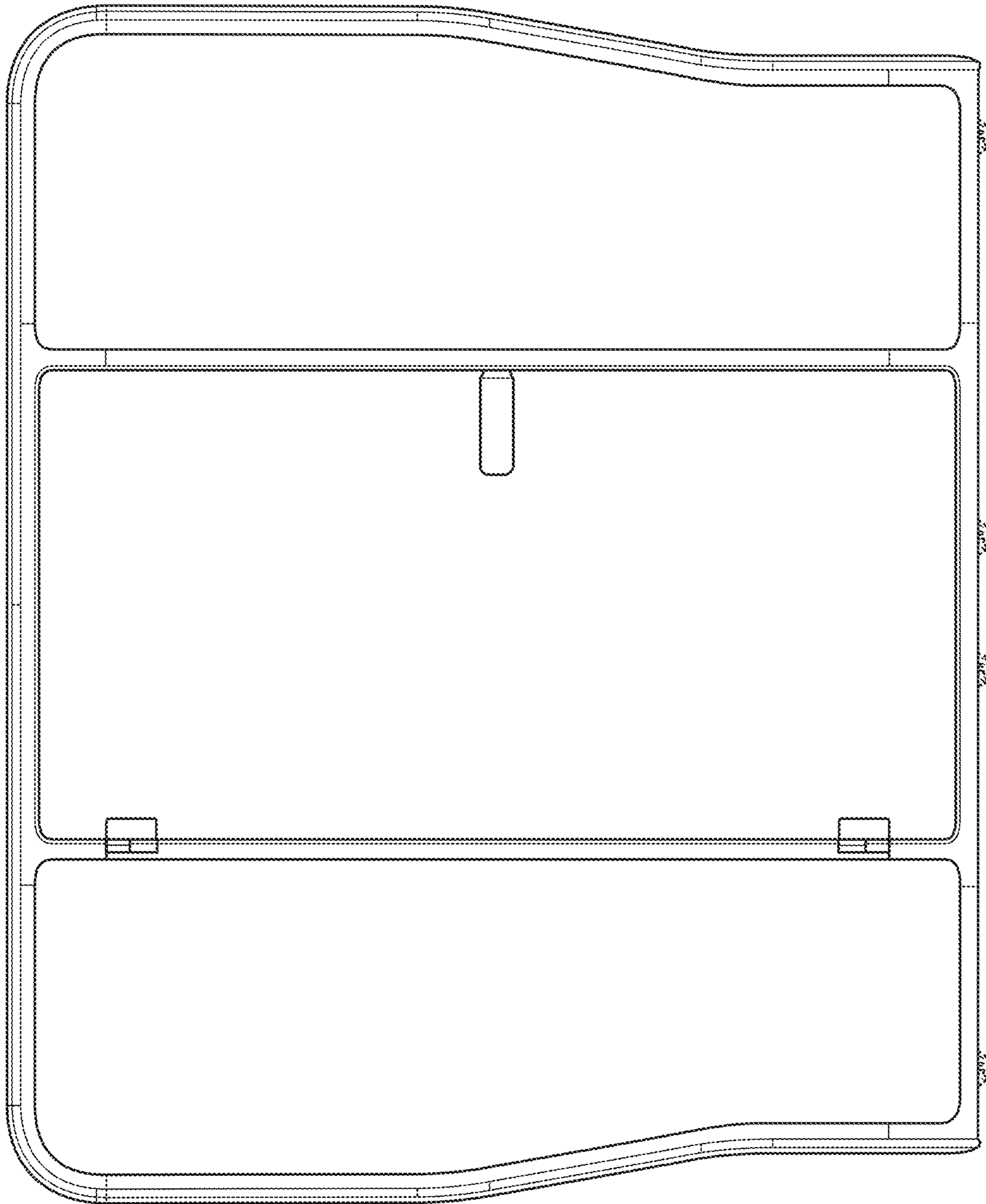


FIG. 2

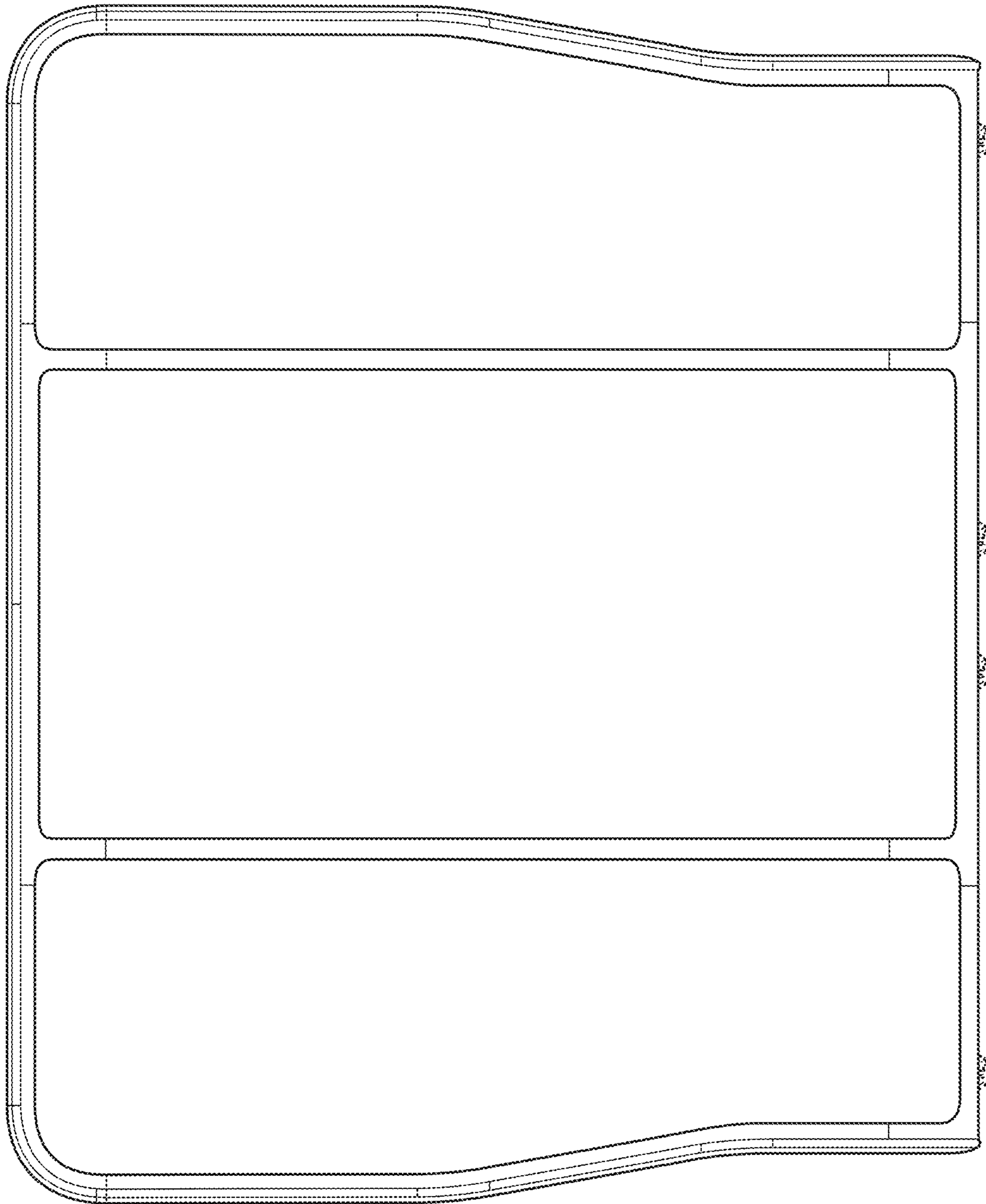


FIG. 3

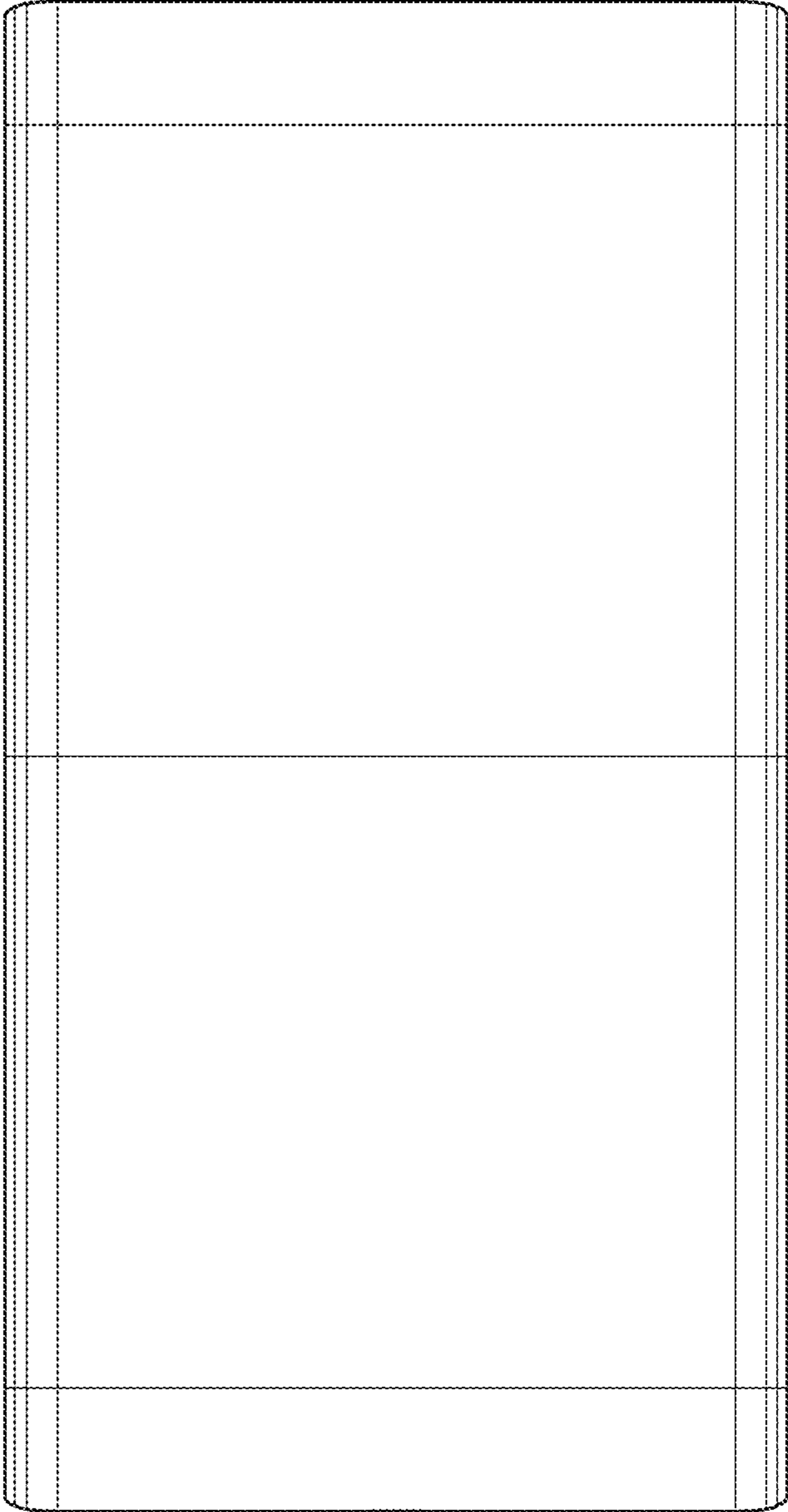


FIG. 4

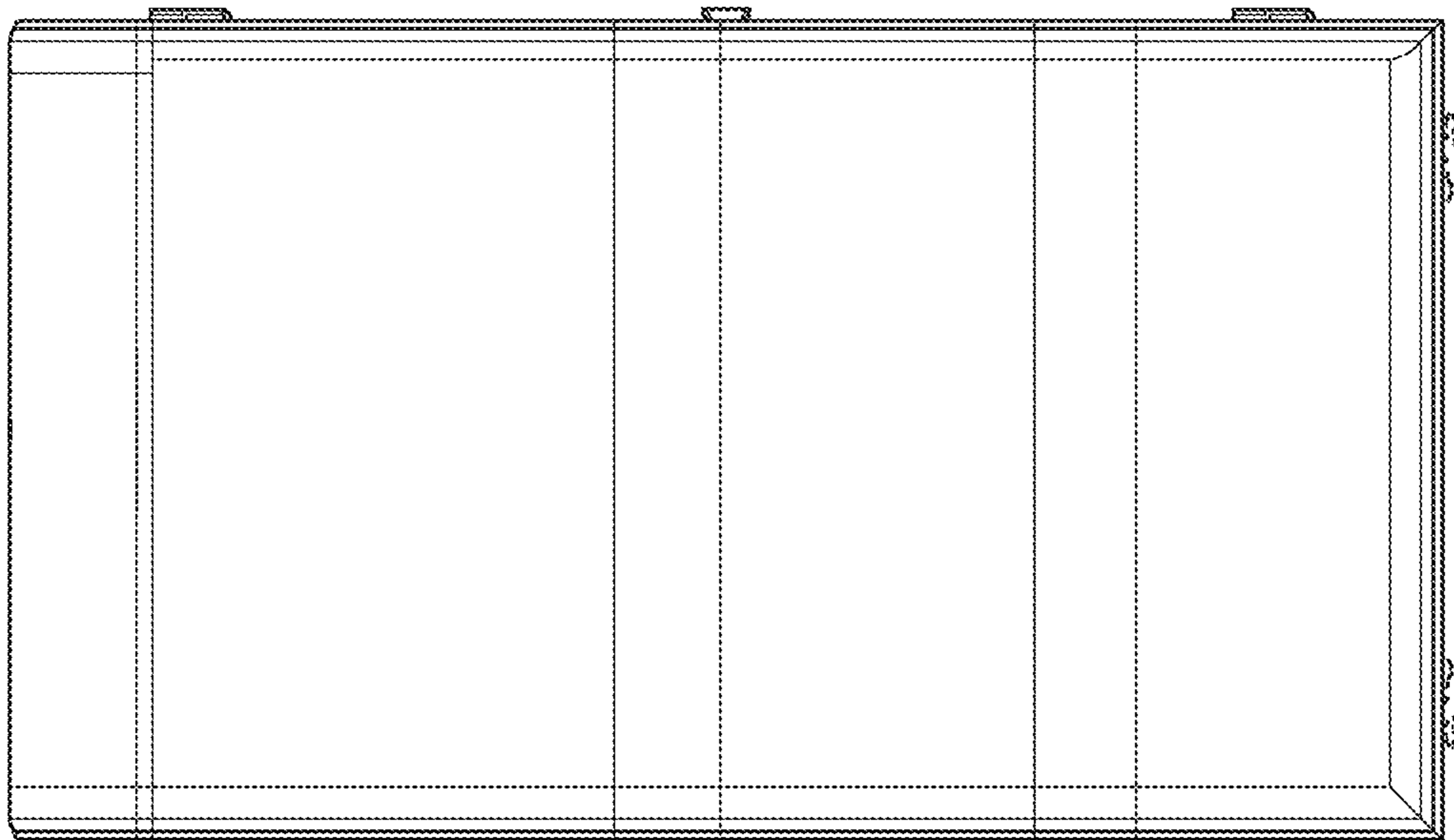


FIG. 5

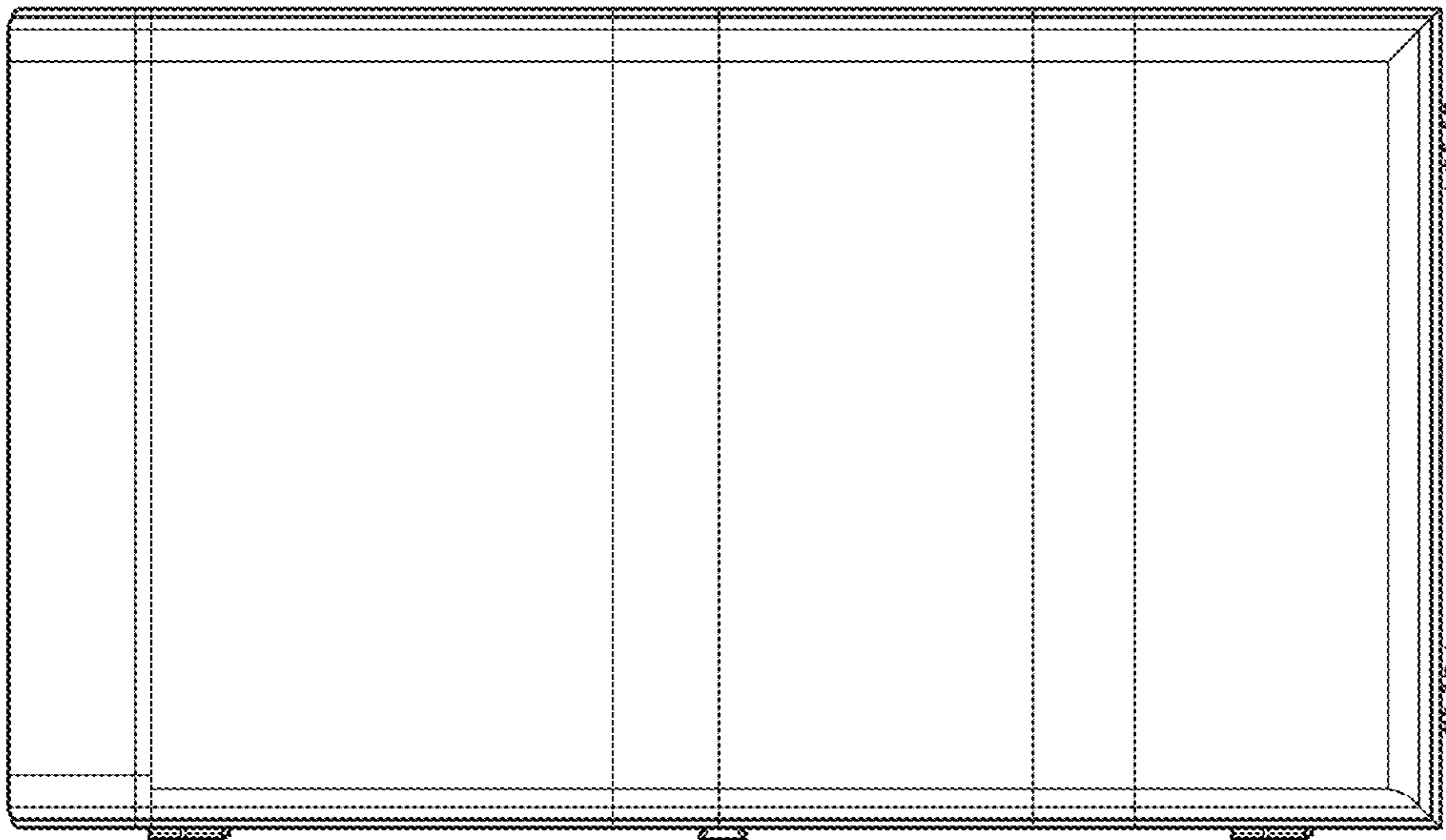


FIG. 6