



US00D968648S

(12) **United States Design Patent** (10) **Patent No.:** **US D968,648 S**
Woods et al. (45) **Date of Patent:** **** Nov. 1, 2022**

(54) **TELEPHONE BOOTH**

FOREIGN PATENT DOCUMENTS

(71) Applicant: **Screen Solutions Limited**, Peacehaven (GB)

CN 305110808 * 4/2019
EM 000389341-0002 10/2005

(Continued)

(72) Inventors: **Simon Woods**, Brighton (GB); **Gary Bevis**, Brighton (GB)

Primary Examiner — Brett Miller
Assistant Examiner — Jasmine L. Comedy

(73) Assignee: **Buzzispace NV**, Kontich (BE)

(74) *Attorney, Agent, or Firm* — Diederiks & Whitelaw, PLC.

(**) Term: **15 Years**

(57) **CLAIM**

The ornamental design for a telephone booth, as shown and described.

(21) Appl. No.: **29/755,738**

DESCRIPTION

(22) Filed: **Oct. 22, 2020**

(30) **Foreign Application Priority Data**

Jun. 1, 2020 (EM) 007978747

(51) **LOC (13) Cl.** **25-03**

(52) **U.S. Cl.**
USPC **D25/16**

(58) **Field of Classification Search**
USPC D25/1-35; D6/332, 337, 640
CPC E04H 1/14; E04H 1/125
See application file for complete search history.

(56) **References Cited**

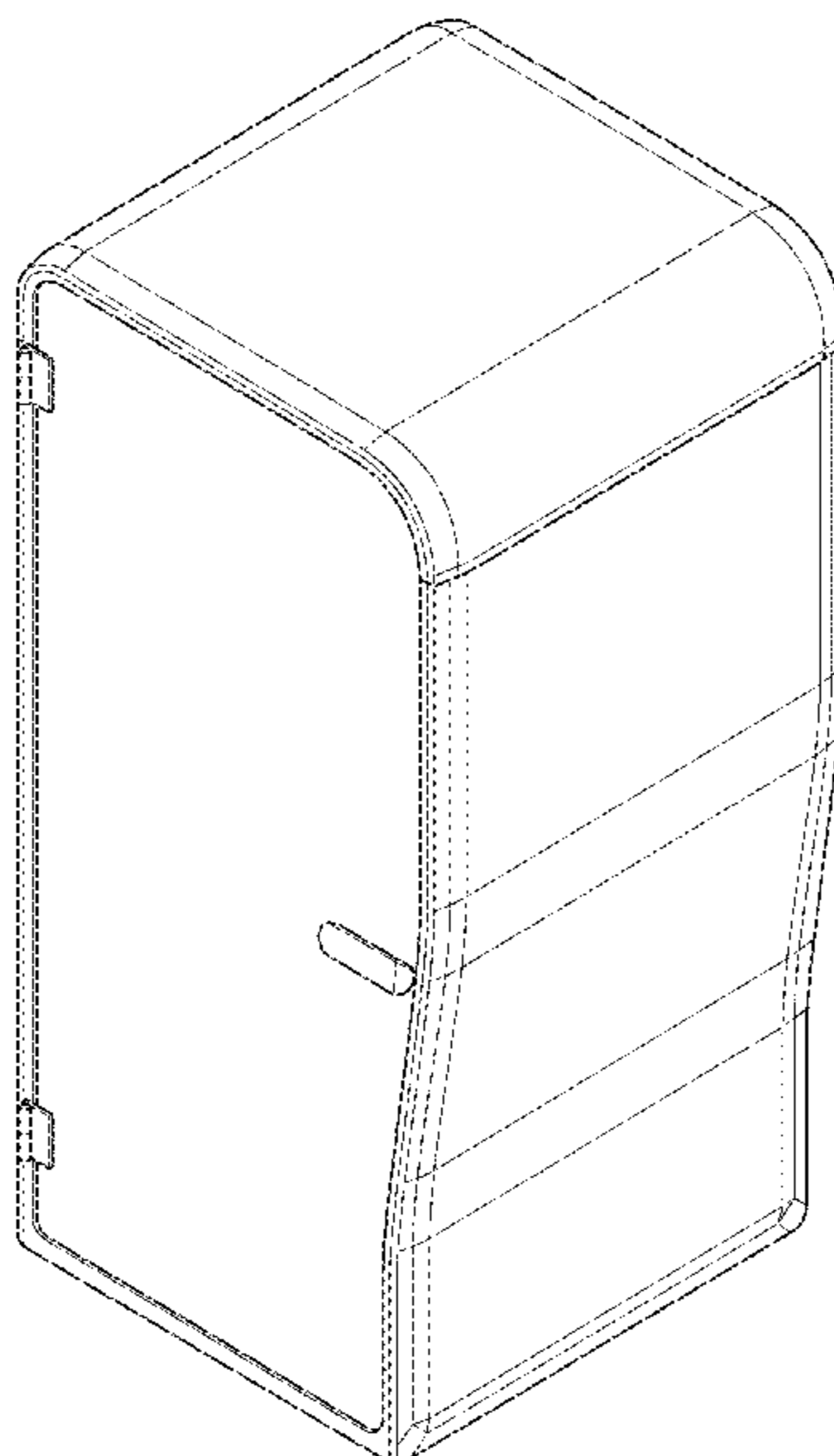
U.S. PATENT DOCUMENTS

D583,963 S 12/2008 Lazala
D732,691 S * 6/2015 Hallfors D25/16
D732,692 S * 6/2015 Hallfors D25/16
D787,704 S 5/2017 Walter
D788,318 S * 5/2017 Jennings D25/16
D844,166 S * 3/2019 Zhu D25/16
D844,167 S * 3/2019 Zhu D25/16
D844,812 S * 4/2019 Zhu D25/16
D844,819 S * 4/2019 Zhu D25/16

(Continued)

FIG. 1 is a perspective view of a telephone booth according to a first embodiment of the design;
FIG. 2 is a front elevational view of the telephone booth of FIG. 1;
FIG. 3 is a rear elevational view of the telephone booth of FIG. 1;
FIG. 4 is a top view of the telephone booth of FIG. 1;
FIG. 5 is a left side view of the telephone booth of FIG. 1;
FIG. 6 is a right side view of the telephone booth of FIG. 1;
FIG. 7 is a perspective view of a telephone booth according to a second embodiment of the design, with the second embodiment being a mirror image of the first embodiment;
FIG. 8 is a front elevational view of the telephone booth of FIG. 7;
FIG. 9 is a rear elevational view of the telephone booth of FIG. 7;
FIG. 10 is a top view of the telephone booth of FIG. 7;
FIG. 11 is a left side view of the telephone booth of FIG. 7;
and,
FIG. 12 is a right side view of the telephone booth of FIG. 7.
The broken lines depict environment and form no part of the claimed design.

1 Claim, 12 Drawing Sheets



(56)

References Cited

U.S. PATENT DOCUMENTS

D852,376 S * 6/2019 Mikolajczyk D25/16
D856,529 S * 8/2019 Mikolajczyk D25/16
D857,233 S * 8/2019 Zhu D25/16
D870,316 S * 12/2019 Haveri D25/16
D908,918 S * 1/2021 Zhu D25/16
D910,205 S * 2/2021 Nakata D25/16
D921,924 S * 6/2021 Ko D25/16
D921,925 S * 6/2021 Ko D25/16
D929,608 S * 8/2021 Kitada D25/16
D933,851 S * 10/2021 Zhu D25/16
2019/0316346 A1 * 10/2019 Glass E04B 1/8218
2020/0324515 A1 * 10/2020 Hallfors B32B 27/065
2021/0148128 A1 * 5/2021 Ko E04B 1/34315

FOREIGN PATENT DOCUMENTS

EM 000495056-0002 5/2006
EM 000495056-0003 5/2006
EM 000495056-0004 5/2006
EM 000495056-0005 5/2006
EM 000495056-0006 5/2006
EM 002277897-0001 7/2013
EM 002643726-0005 3/2015
EM 002681650-0007 4/2015
EM 002681650-0008 4/2015
EM 004350452-0002 9/2017
EM 004514016-0001 11/2017
EM 004680916-0001 4/2018
EM 005577624-0004 9/2018
EM 005577624-0005 9/2018
EM 005577624-0006 9/2018
EM 005577624-0007 9/2018
IN 306910-0001 * 12/2019
JP D1592110 * 12/2017
WO WOD202068-001 * 8/2019

* cited by examiner

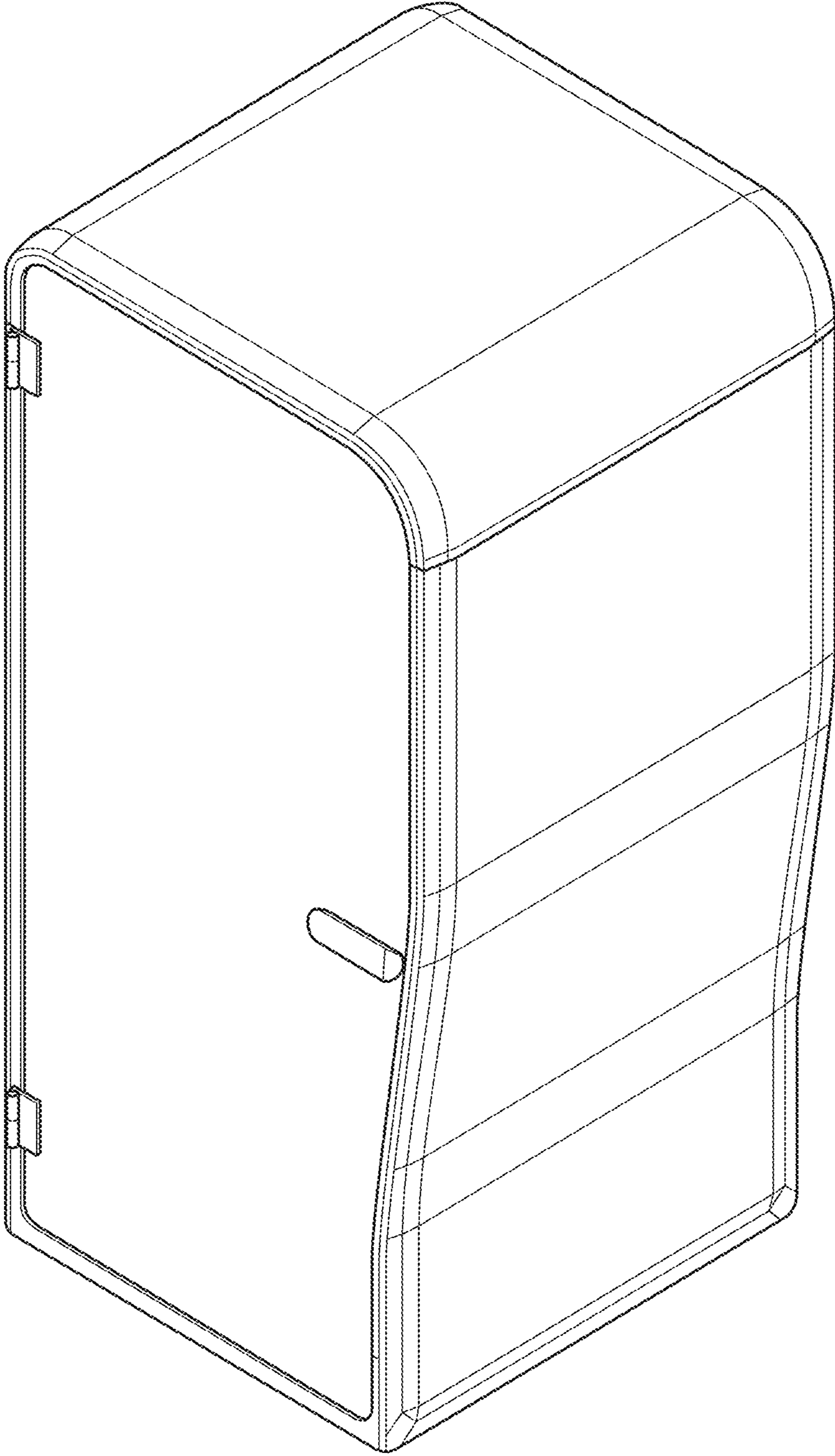


FIG. 1

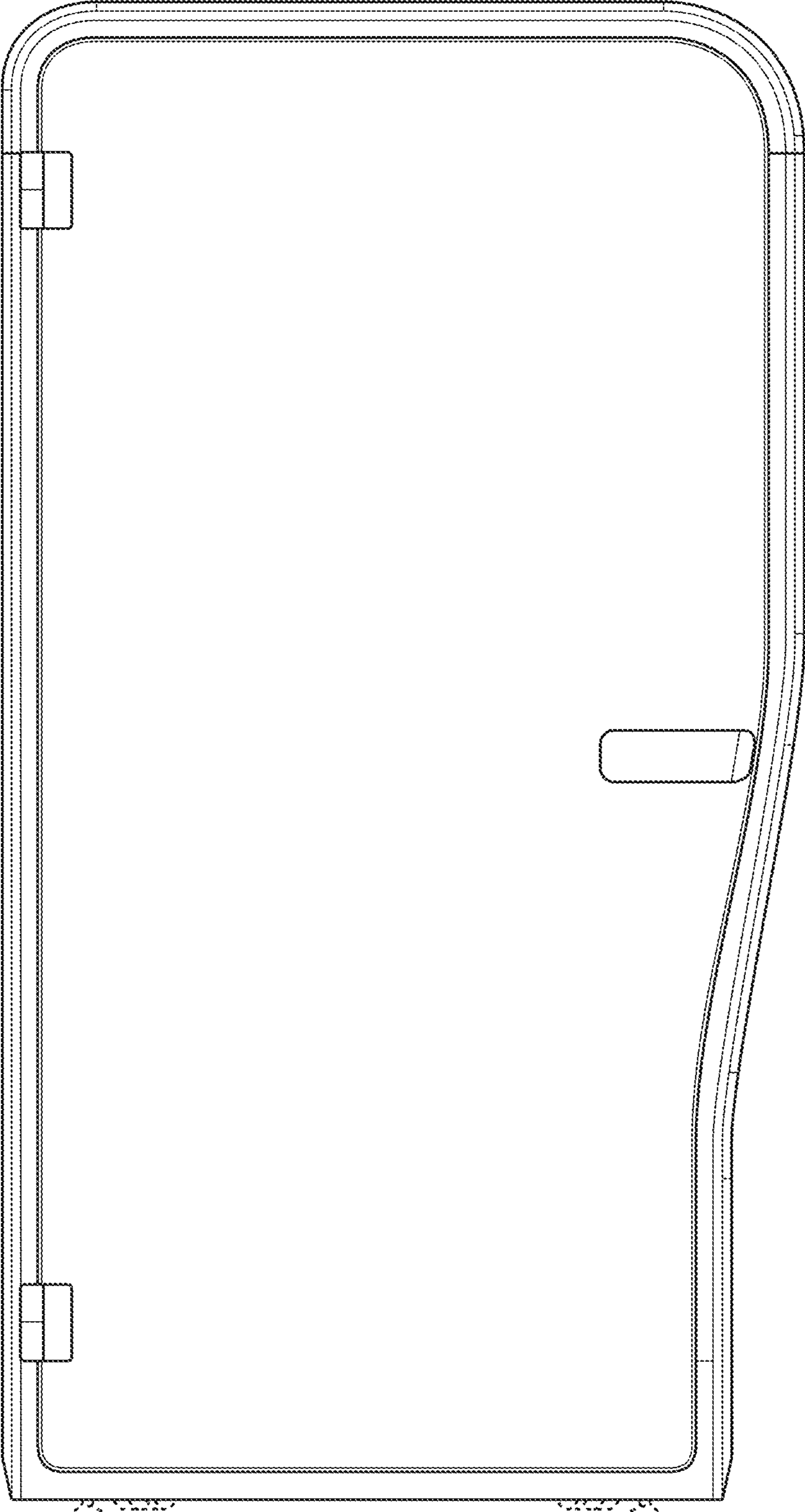


FIG. 2

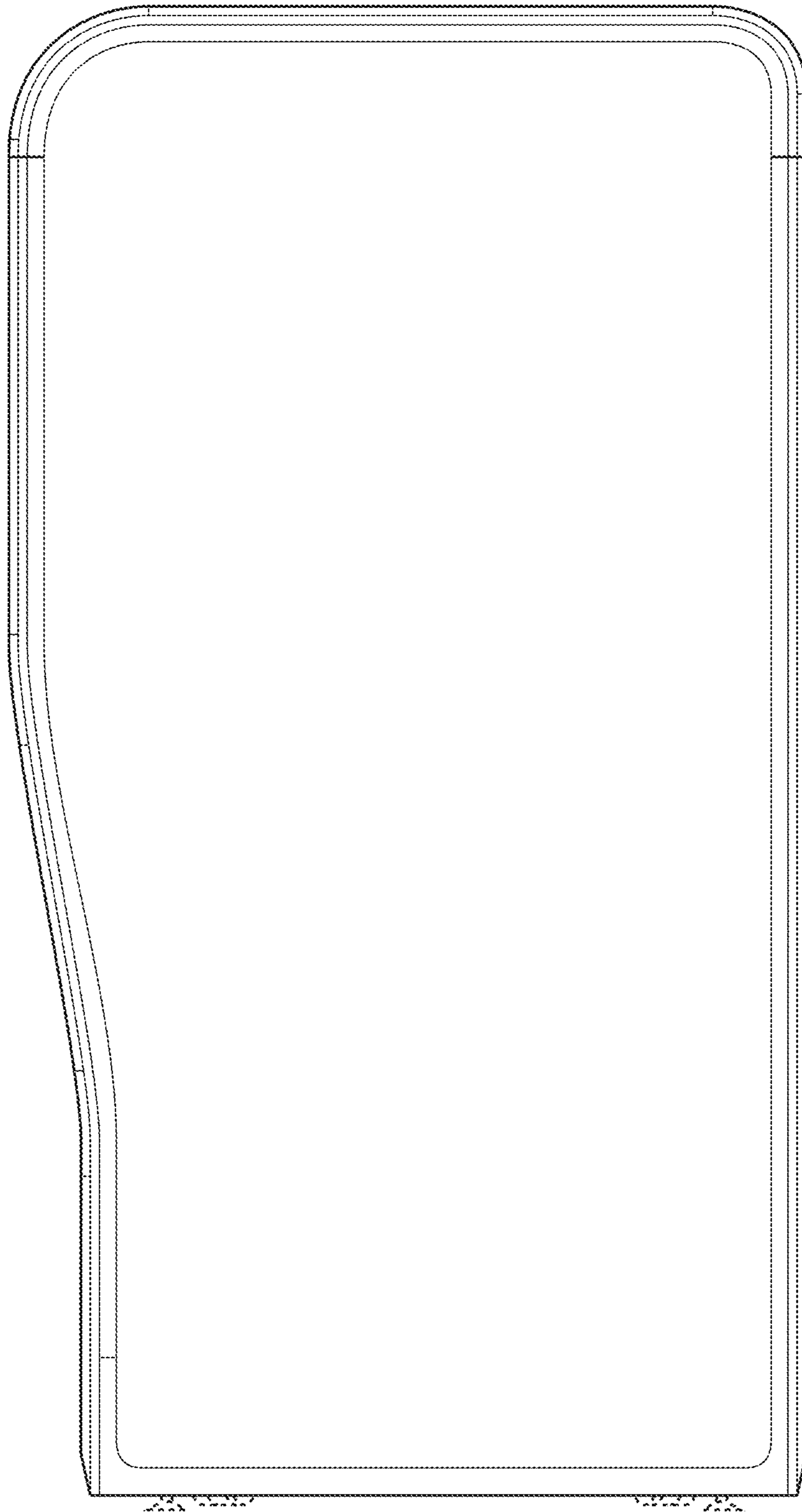


FIG. 3

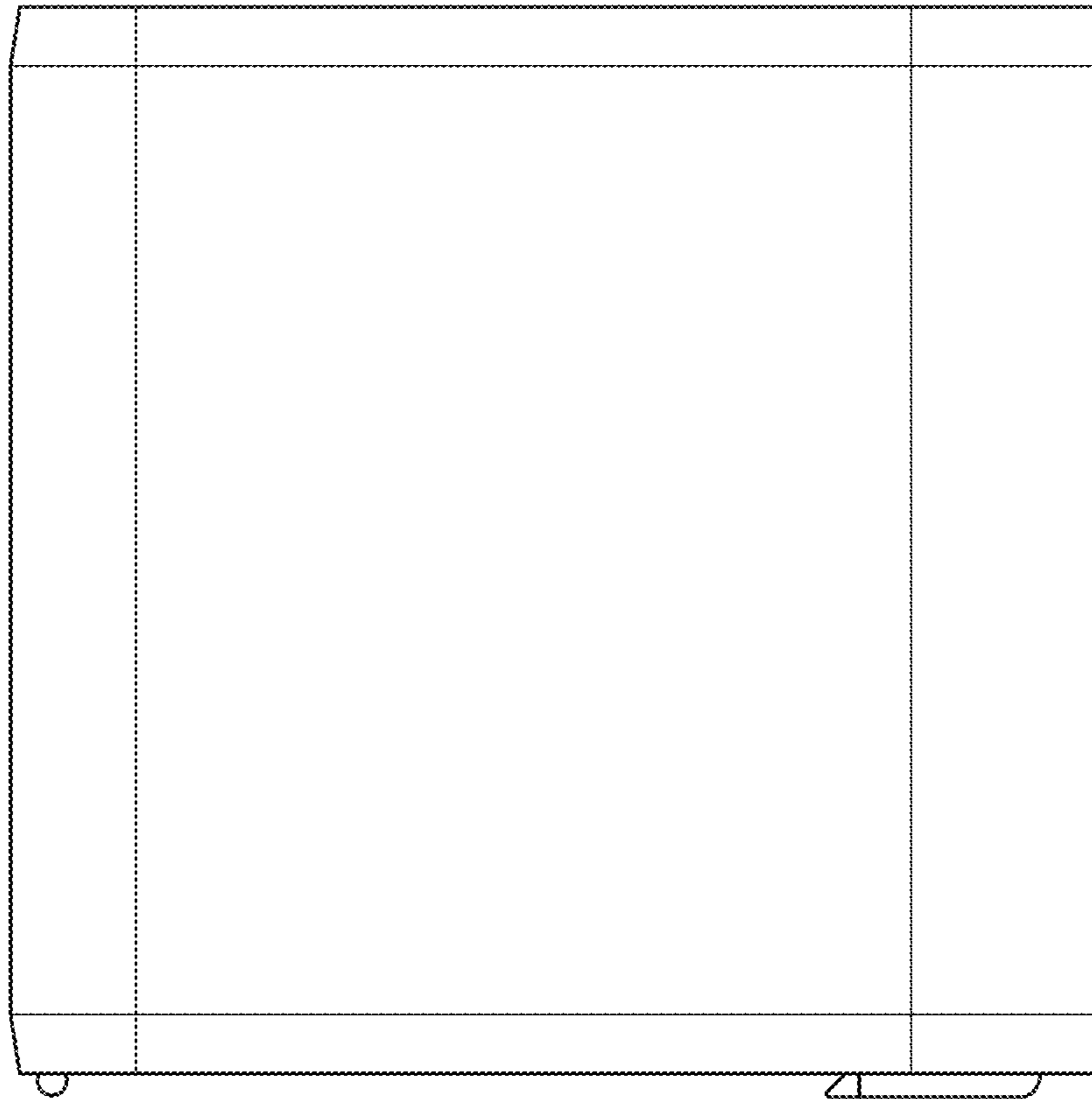


FIG. 4

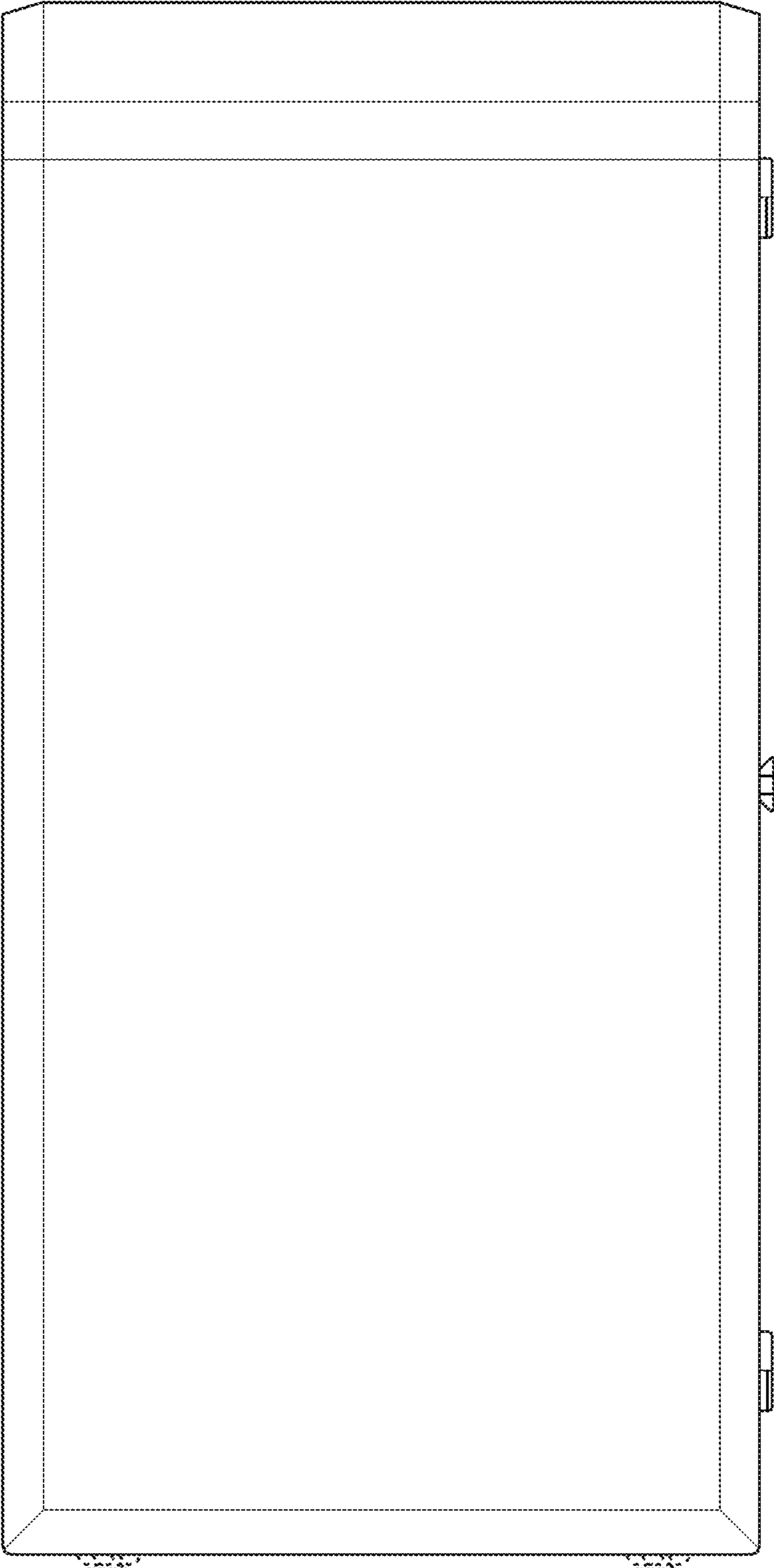


FIG. 5

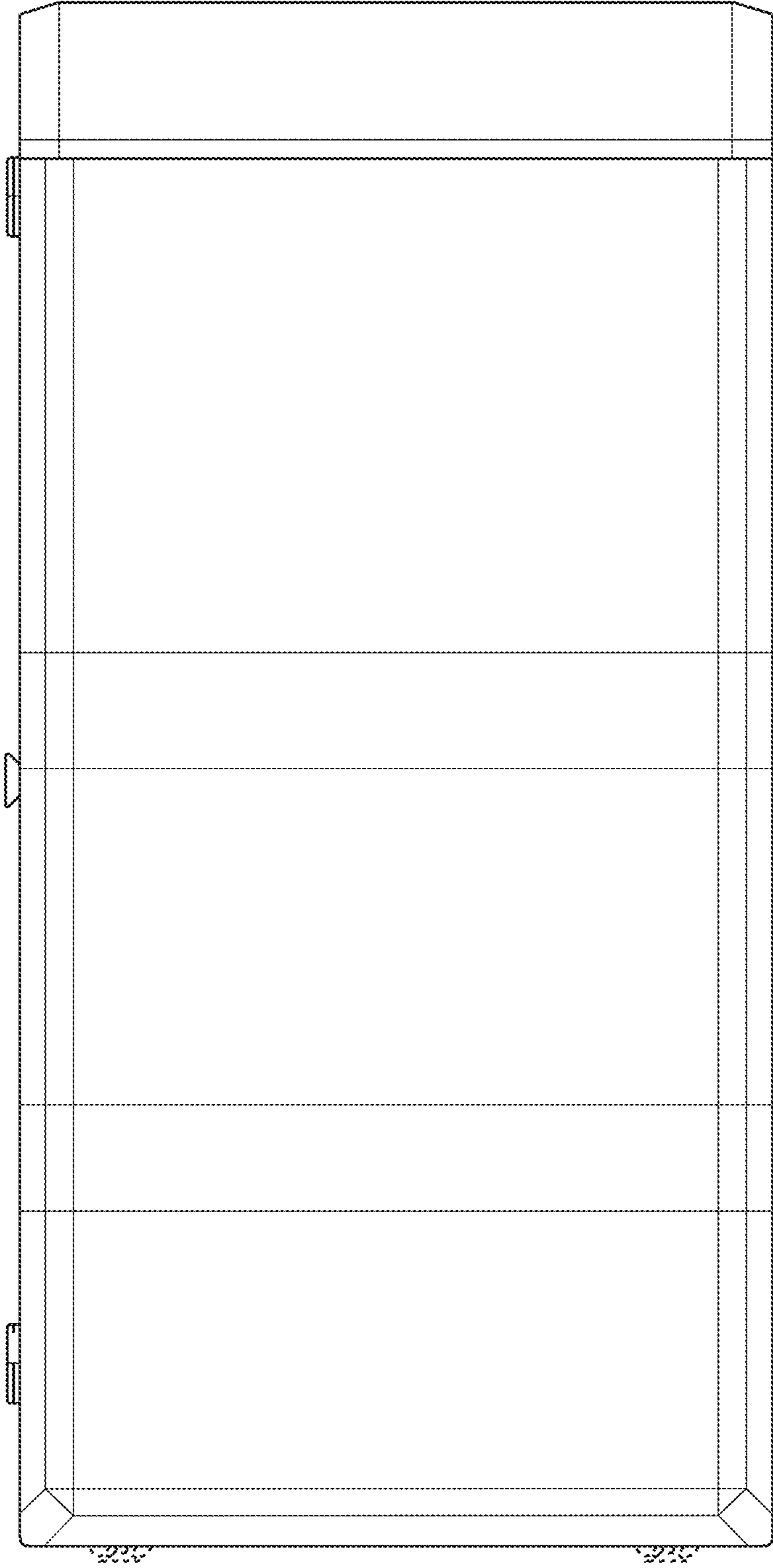


FIG. 6

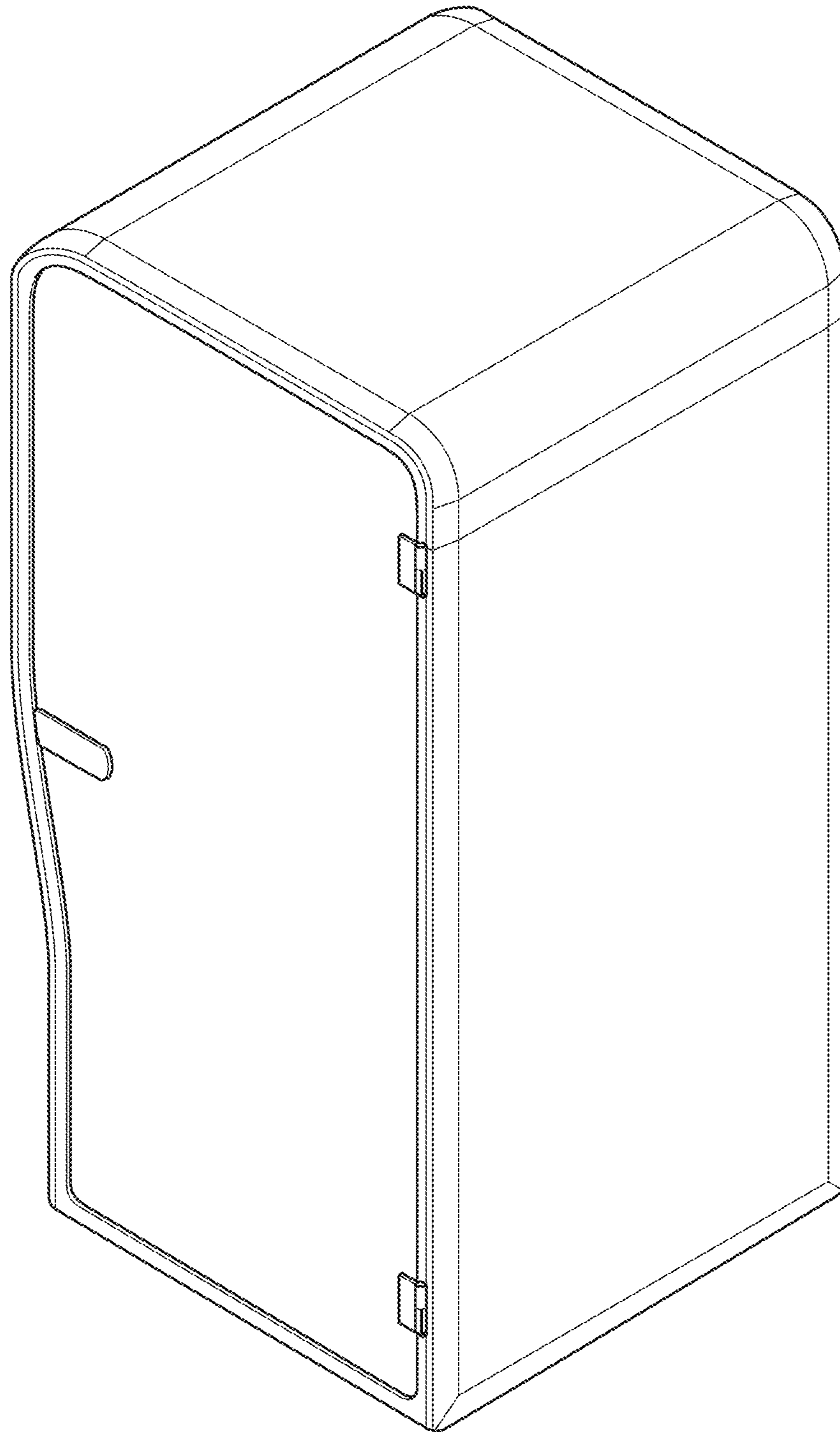


FIG. 7

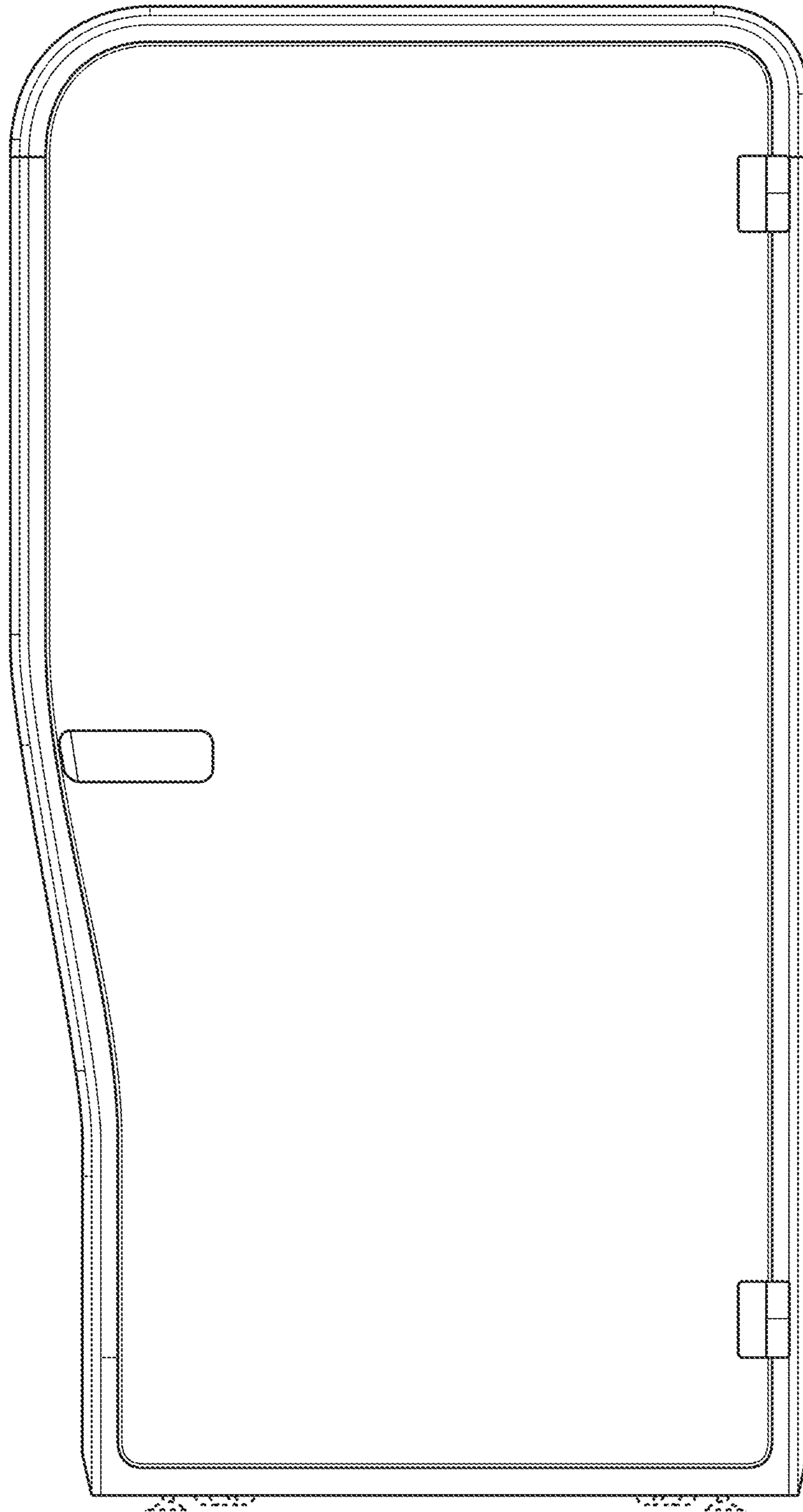


FIG. 8

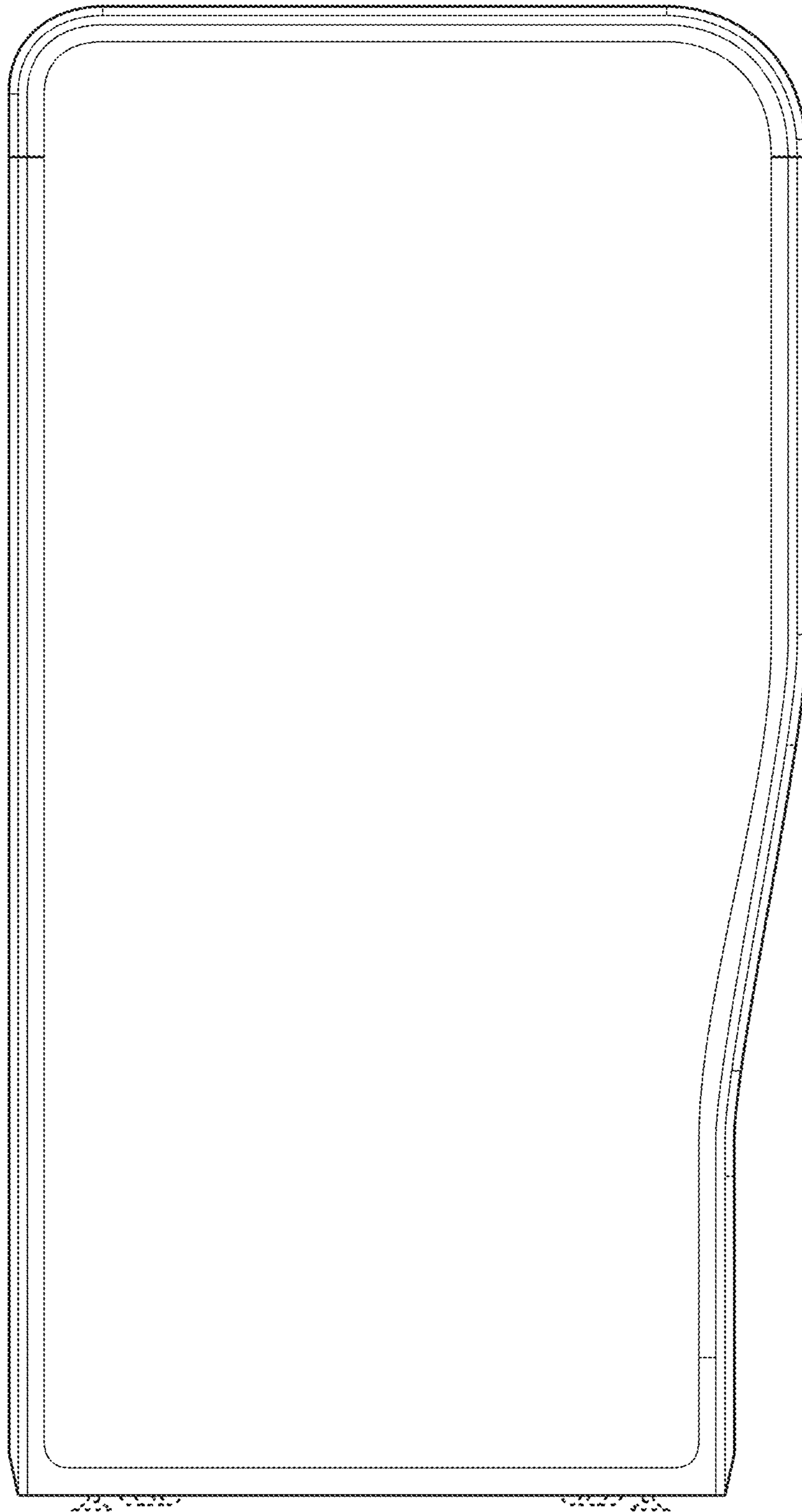


FIG. 9

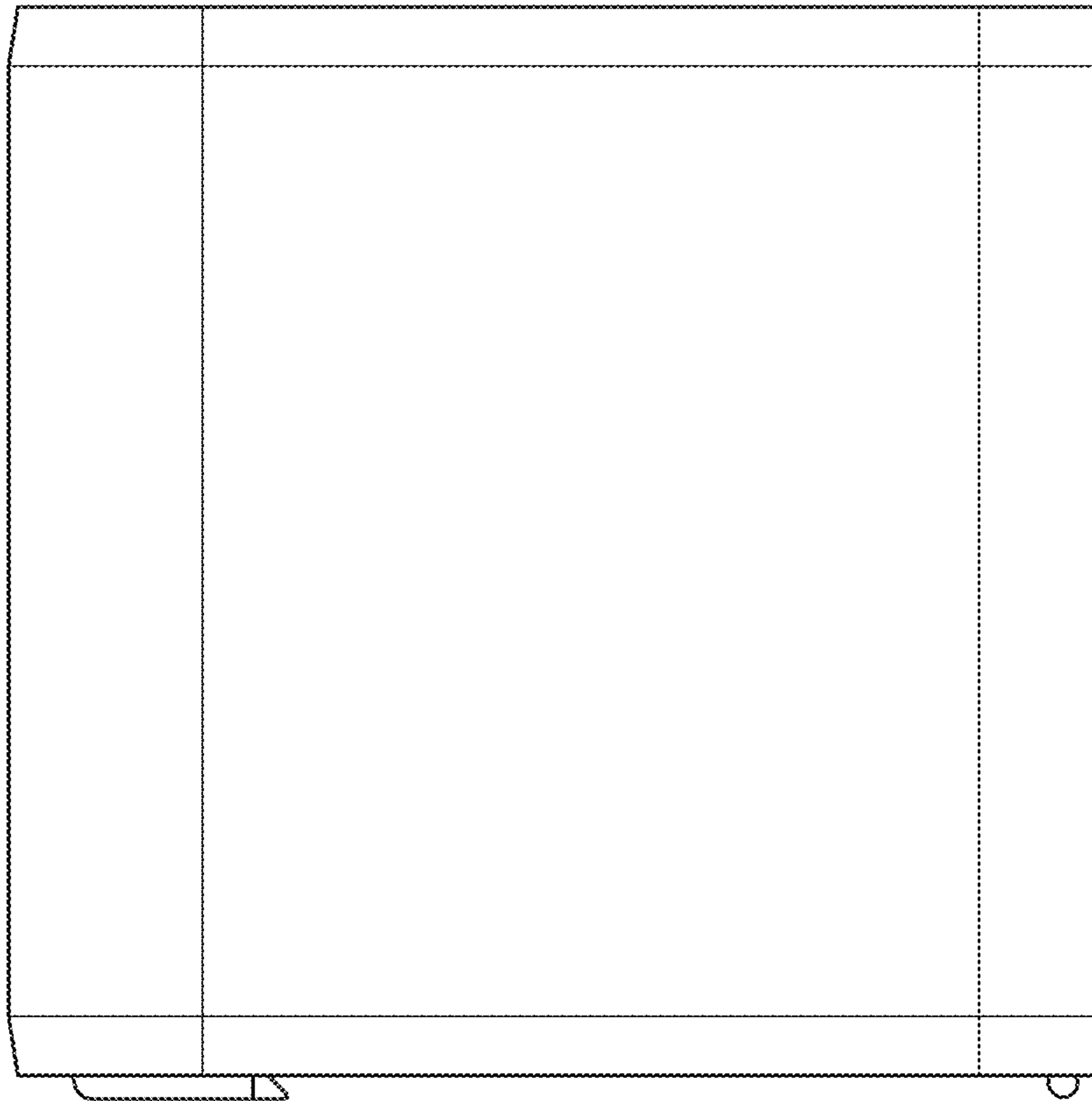


FIG. 10

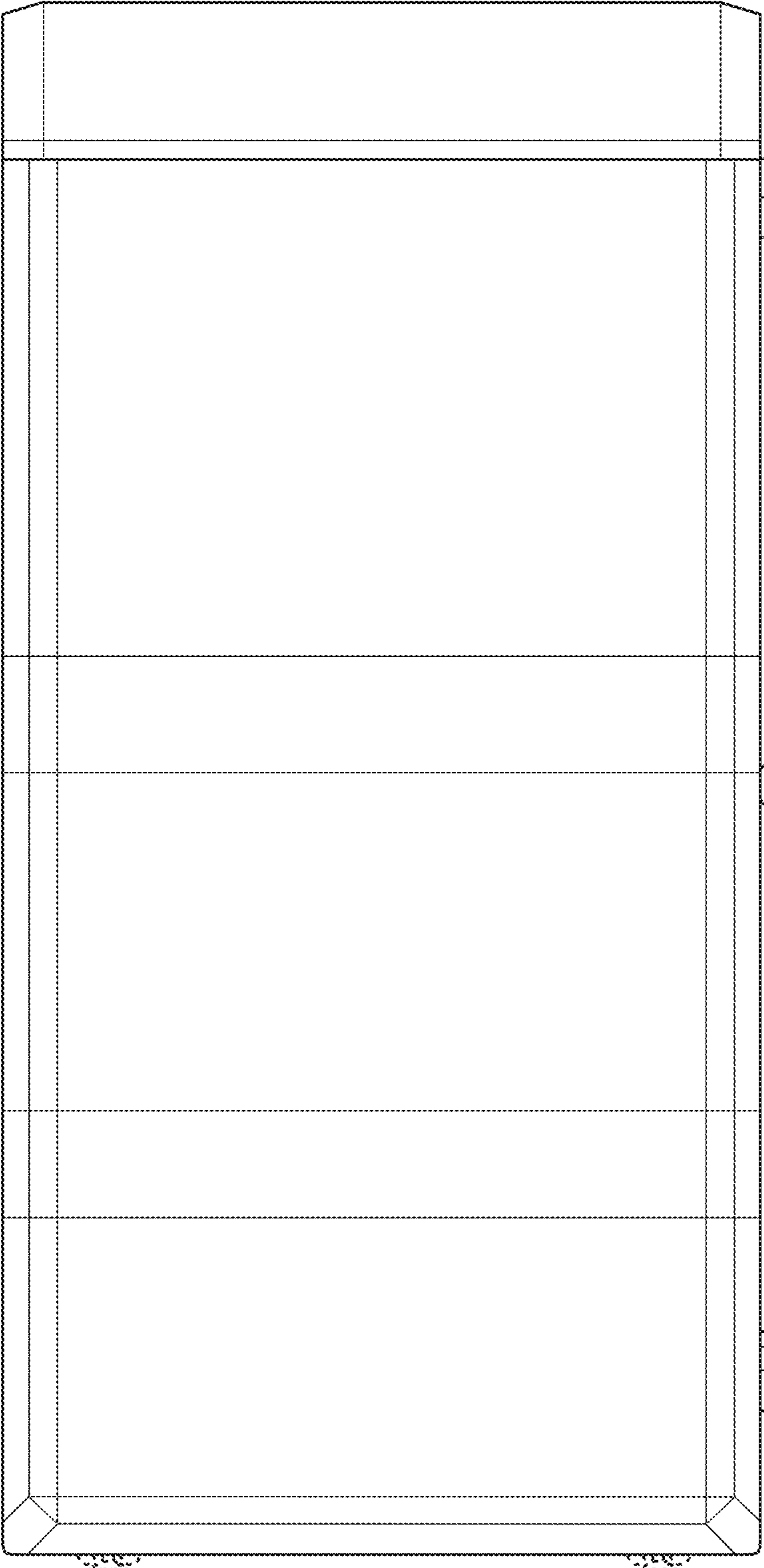


FIG. 11

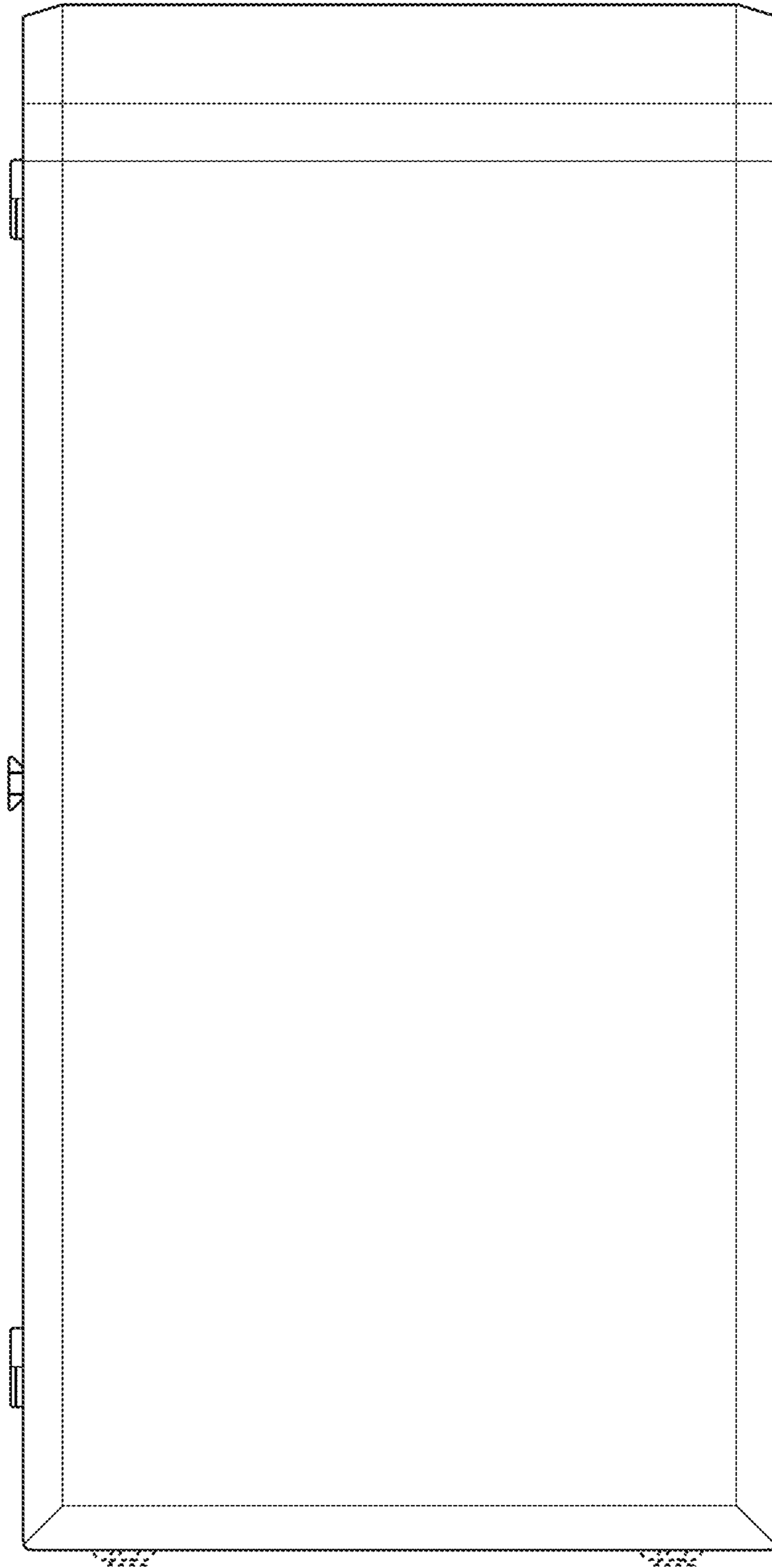


FIG. 12