



US00D968647S

(12) **United States Design Patent** (10) **Patent No.:** **US D968,647 S**  
**Lehtinen et al.** (45) **Date of Patent:** **\*\* Nov. 1, 2022**

(54) **TELEPHONE BOOTH**

(71) Applicant: **Framery Oy**, Tampere (FI)  
(72) Inventors: **Jarno Lehtinen**, Pohjankuru (FI); **Joonas Vartola**, Helsinki (FI); **Olli Laaksonen**, Turku (FI); **Lasse Karvinen**, Tampere (FI); **Samu Hällfors**, Tampere (FI); **Maiju Saarelma**, Tampere (FI); **Timo Inkinen**, Tampere (FI); **Miika Hällfors**, Valkeakoski (FI); **Ville Puolimatka**, Siivikkala (FI)

(73) Assignee: **FRAMERY OY**, Tampere (FI)

(\*\*) Term: **15 Years**

(21) Appl. No.: **29/754,761**

(22) Filed: **Oct. 14, 2020**

(30) **Foreign Application Priority Data**

Apr. 14, 2020 (EM) ..... 007809439

(51) **LOC (13) Cl.** ..... **25-03**

(52) **U.S. Cl.**  
USPC ..... **D25/16; D6/640**

(58) **Field of Classification Search**  
USPC ..... D25/1-35

(Continued)

(56) **References Cited**

**U.S. PATENT DOCUMENTS**

D732,691 S \* 6/2015 Hallfors ..... D25/16  
D732,692 S \* 6/2015 Hallfors ..... D25/16

(Continued)

**FOREIGN PATENT DOCUMENTS**

CN 304941894 \* 5/2018  
CN 305110808 \* 4/2019

(Continued)

**OTHER PUBLICATIONS**

Office Phone Booths Framery O Video Conferencing, available in frameryacoustics.com, announced Year 2018 [online], [site visited Dec. 29, 2021], Internet URL: <https://www.archdaily.com/catalog/us/products/19773/call-booth-framery-o-video-conferencing-framery> (Year: 2018).\*

*Primary Examiner* — Brett Miller

*Assistant Examiner* — Jasmine L. Comedy

(74) *Attorney, Agent, or Firm* — Thomas | Horstemeyer, LLP

(57) **CLAIM**

The ornamental design for a telephone booth, as shown and described.

**DESCRIPTION**

FIG. 1 is a perspective view of a telephone booth, showing our new design;

FIG. 2 is another perspective view thereof, from a different angle than FIG. 1;

FIG. 3 is a front view thereof;

FIG. 4 is a back view thereof;

FIG. 5 is a right side view thereof;

FIG. 6 is a bottom view thereof;

FIG. 7 is an enlarged top view of the corner of inset 7 of FIG. 1;

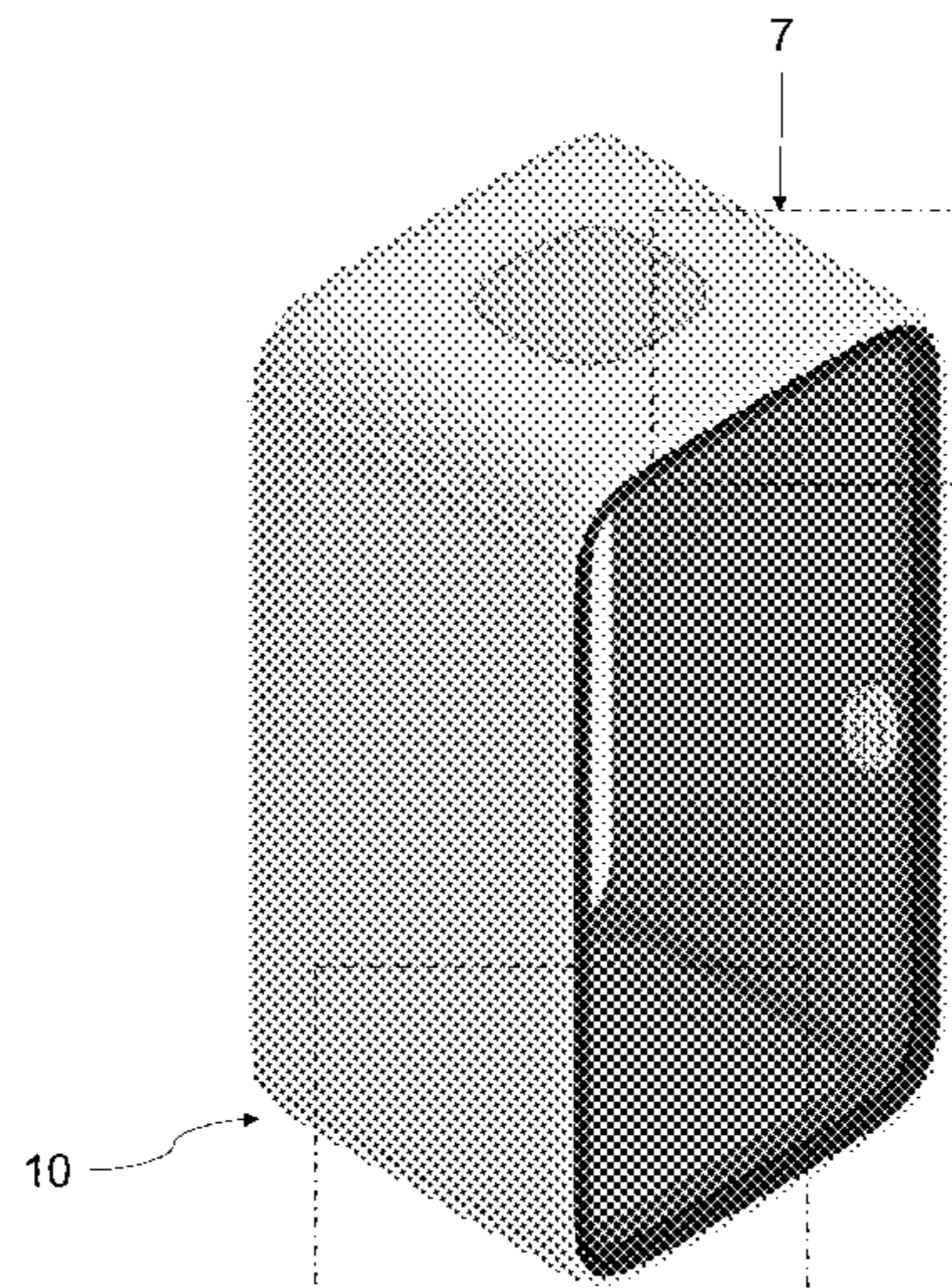
FIG. 8 is a top view thereof;

FIG. 9 is a left side view thereof; and,

FIG. 10 is an enlarged view of a bottom corner of inset 10 of FIG. 1.

The broken lines shown in the drawings of the telephone booth are for the purpose of illustrating the environment and form no part of the claimed design. The black bands in FIGS. 1-4, 7, and 10 depict frame structure for the sides of the telephone booth depicted therein.

**1 Claim, 10 Drawing Sheets**



(58) **Field of Classification Search**

CPC ..... E04H 1/14; E04H 1/125  
See application file for complete search history.

(56) **References Cited**

U.S. PATENT DOCUMENTS

D788,318 S \* 5/2017 Jennings ..... D25/16  
D844,166 S \* 3/2019 Zhu ..... D25/16  
D844,167 S \* 3/2019 Zhu ..... D25/16  
D844,812 S \* 4/2019 Zhu ..... D25/16  
D844,819 S \* 4/2019 Zhu ..... D25/16  
D852,376 S \* 6/2019 Mikolajczyk ..... D25/16  
D856,529 S \* 8/2019 Mikolajczyk ..... D25/16  
D857,233 S \* 8/2019 Zhu ..... D25/16  
D908,918 S \* 1/2021 Zhu ..... D25/16  
D910,205 S \* 2/2021 Nakata ..... D25/16  
D921,924 S \* 6/2021 Ko ..... D25/16  
D921,925 S \* 6/2021 Ko ..... D25/16  
D933,851 S \* 10/2021 Zhu ..... D25/16  
2019/0316346 A1 \* 10/2019 Glass ..... E04B 1/8218  
2020/0324515 A1 \* 10/2020 Hallfors ..... B32B 27/065  
2021/0148128 A1 \* 5/2021 Ko ..... E04B 1/34315

FOREIGN PATENT DOCUMENTS

EM 004488526-0013 \* 11/2017  
EM 007463625-0001 \* 1/2020

\* cited by examiner

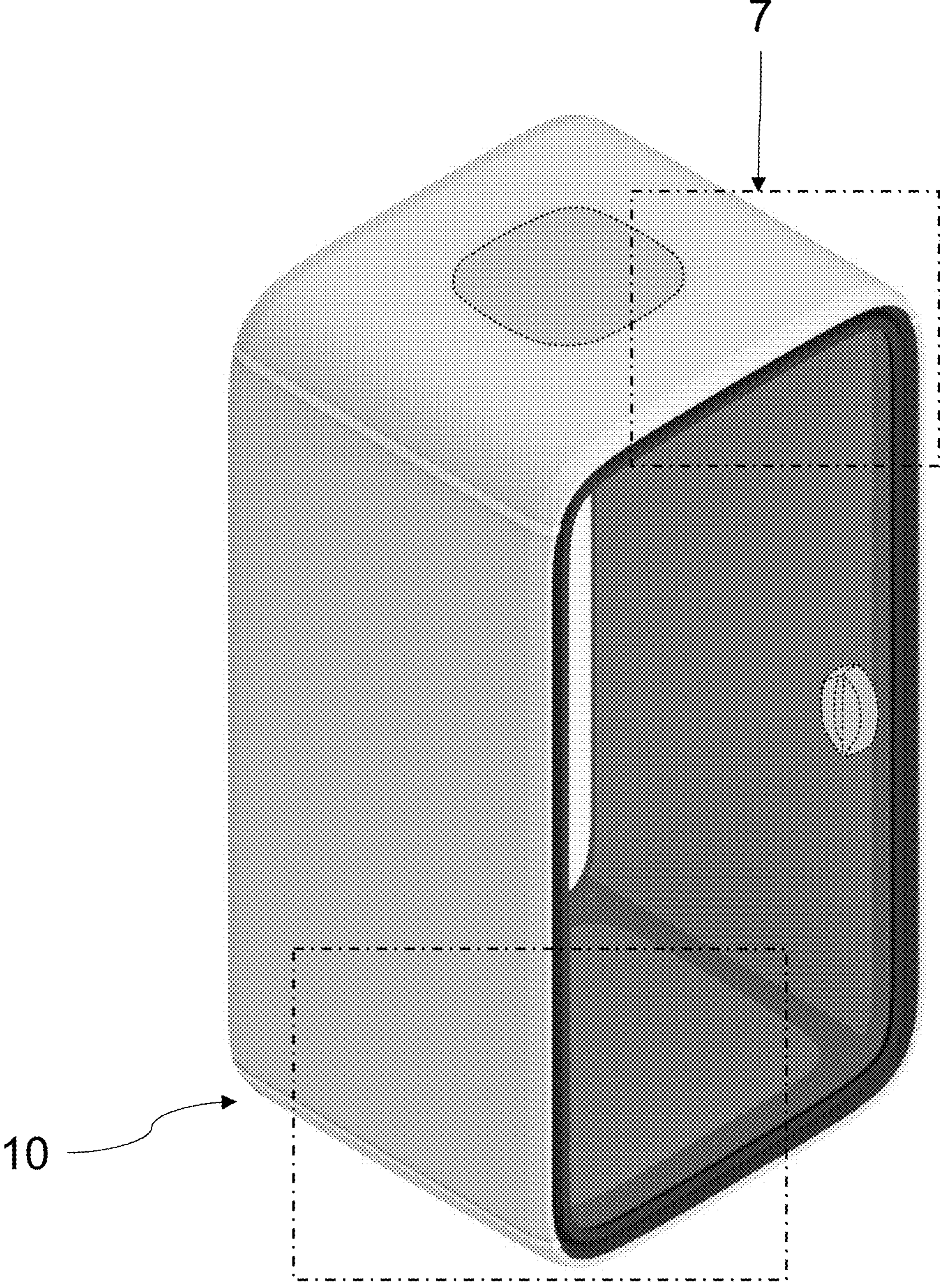


FIG. 1



FIG. 2

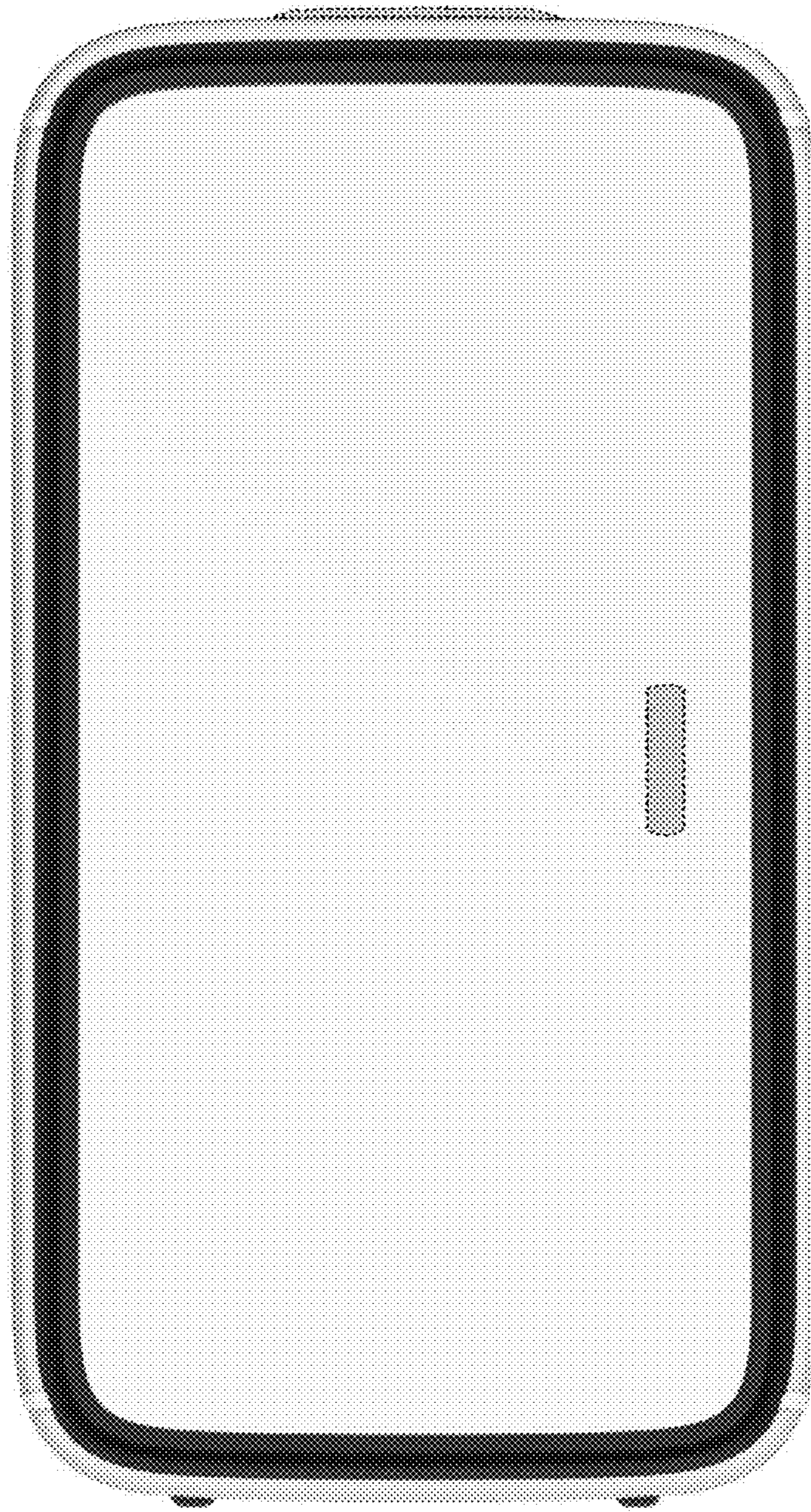


FIG. 3

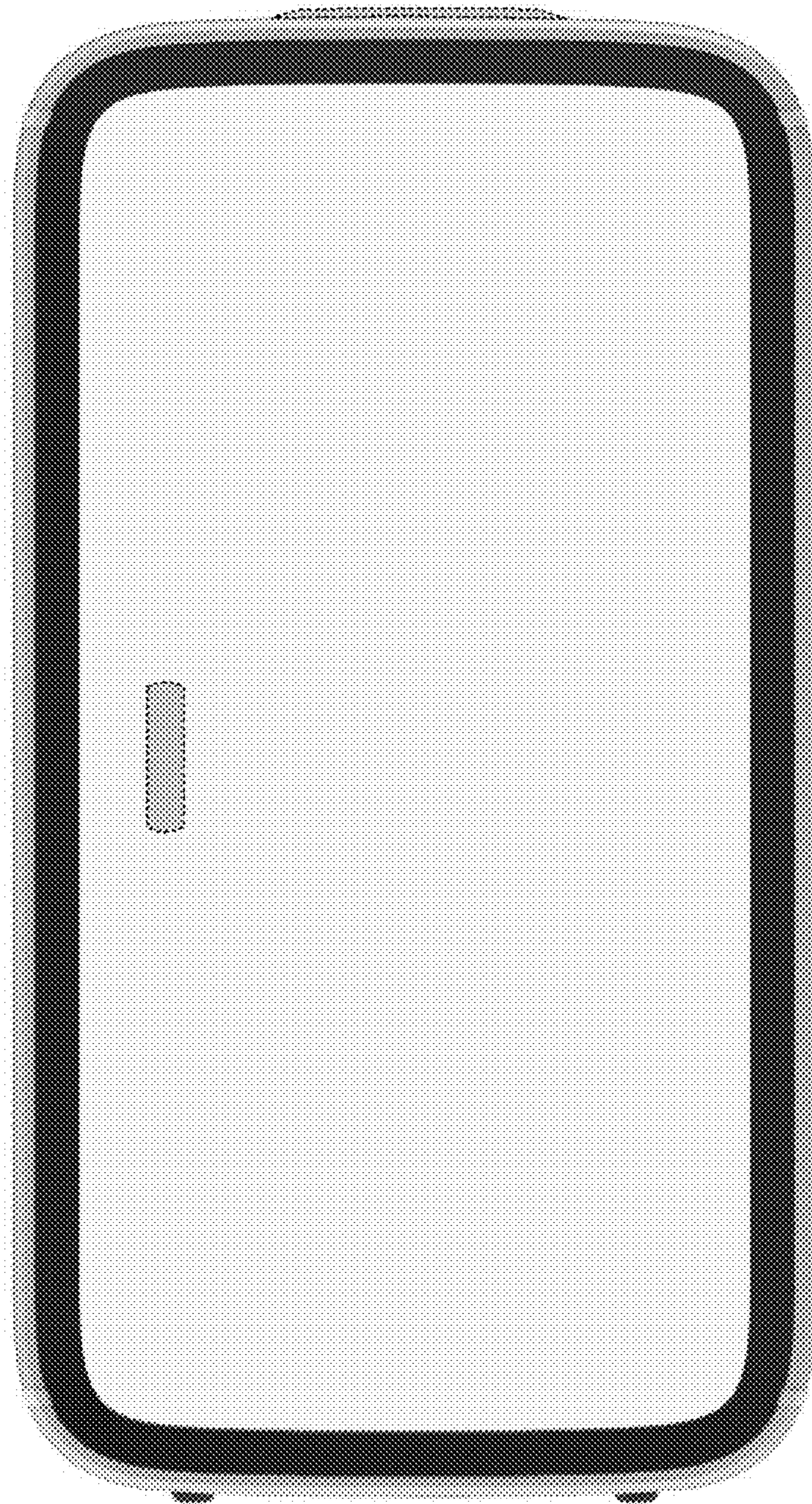


FIG. 4

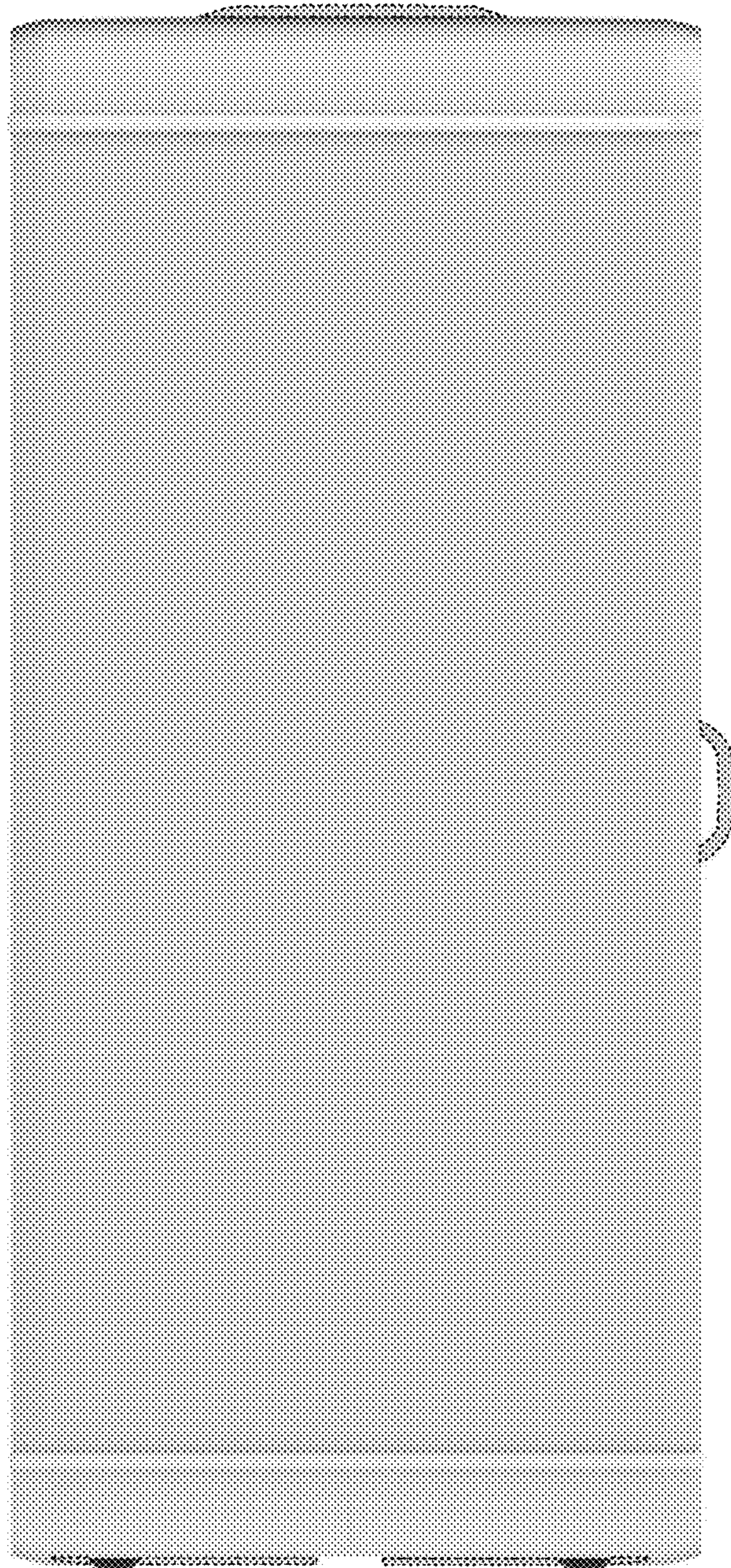


FIG. 5

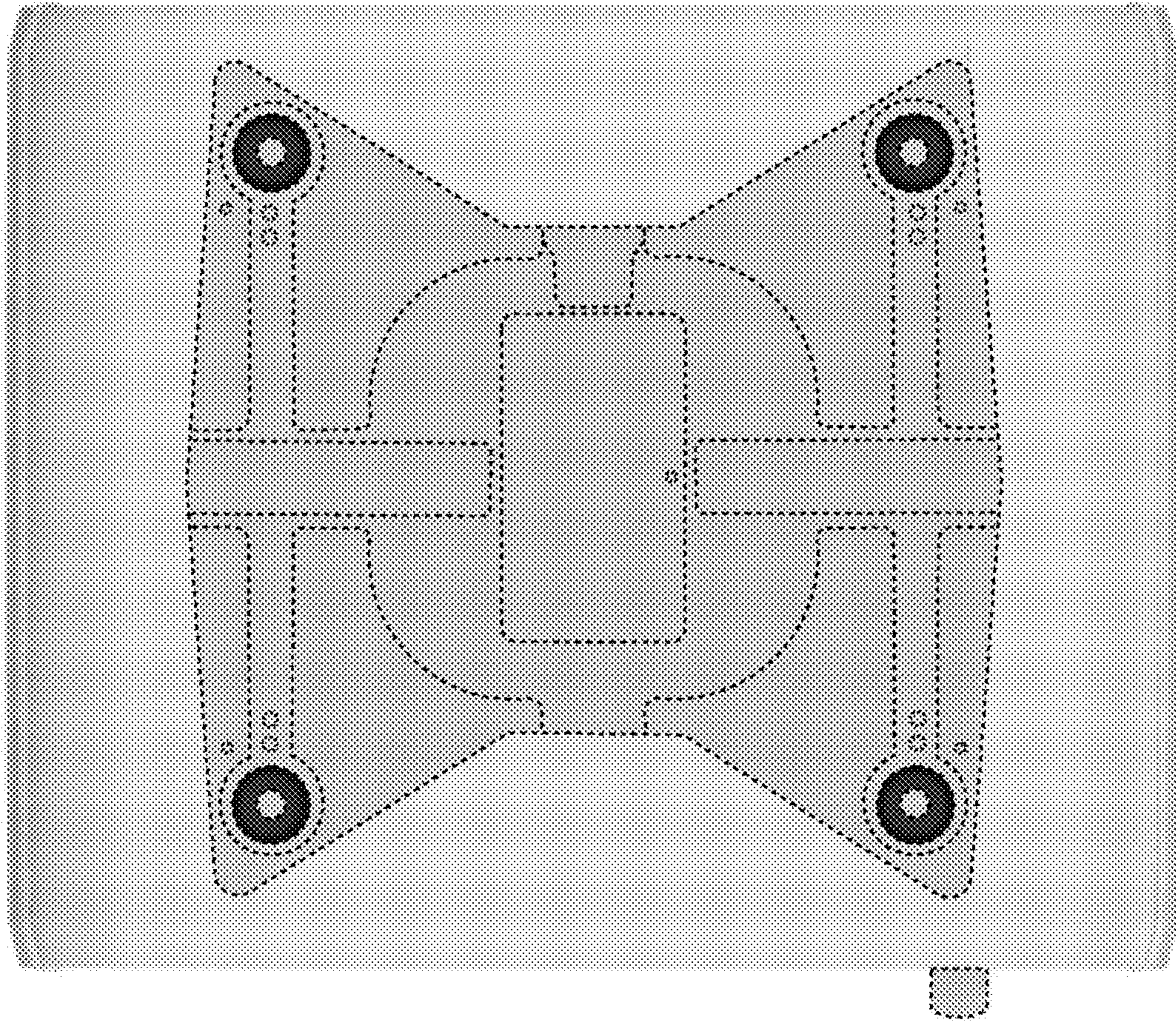


FIG. 6



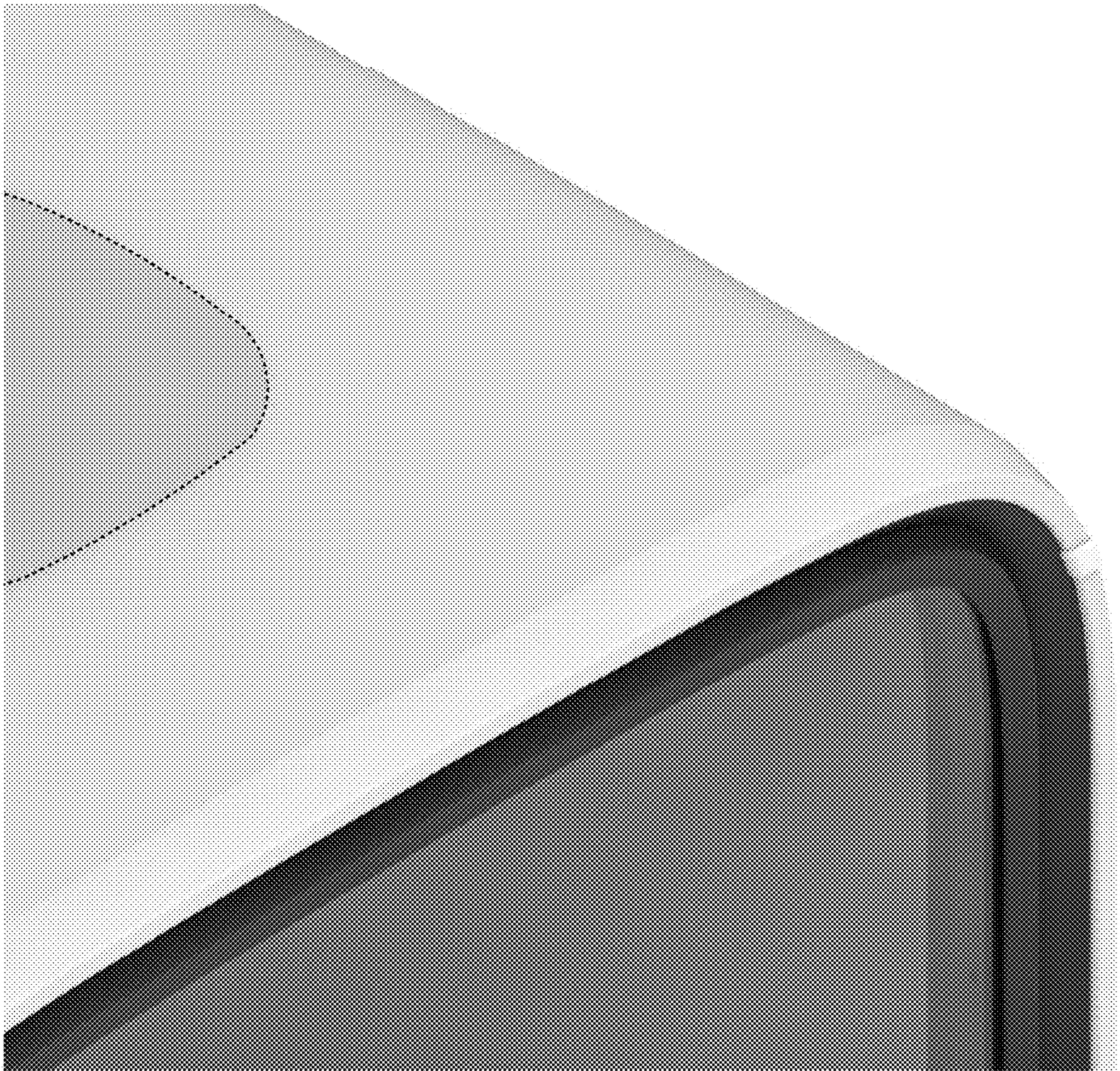


FIG. 7

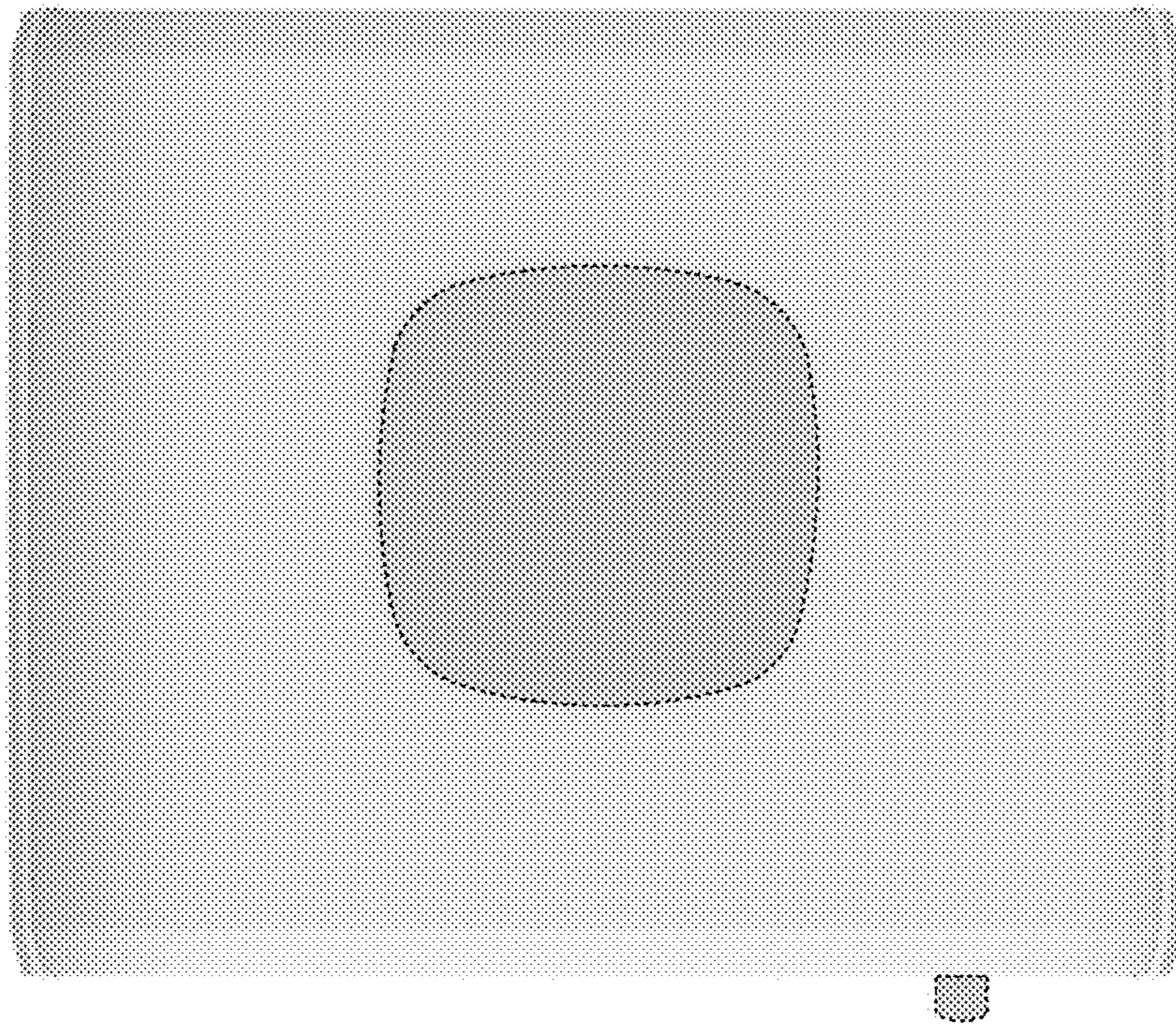


FIG. 8

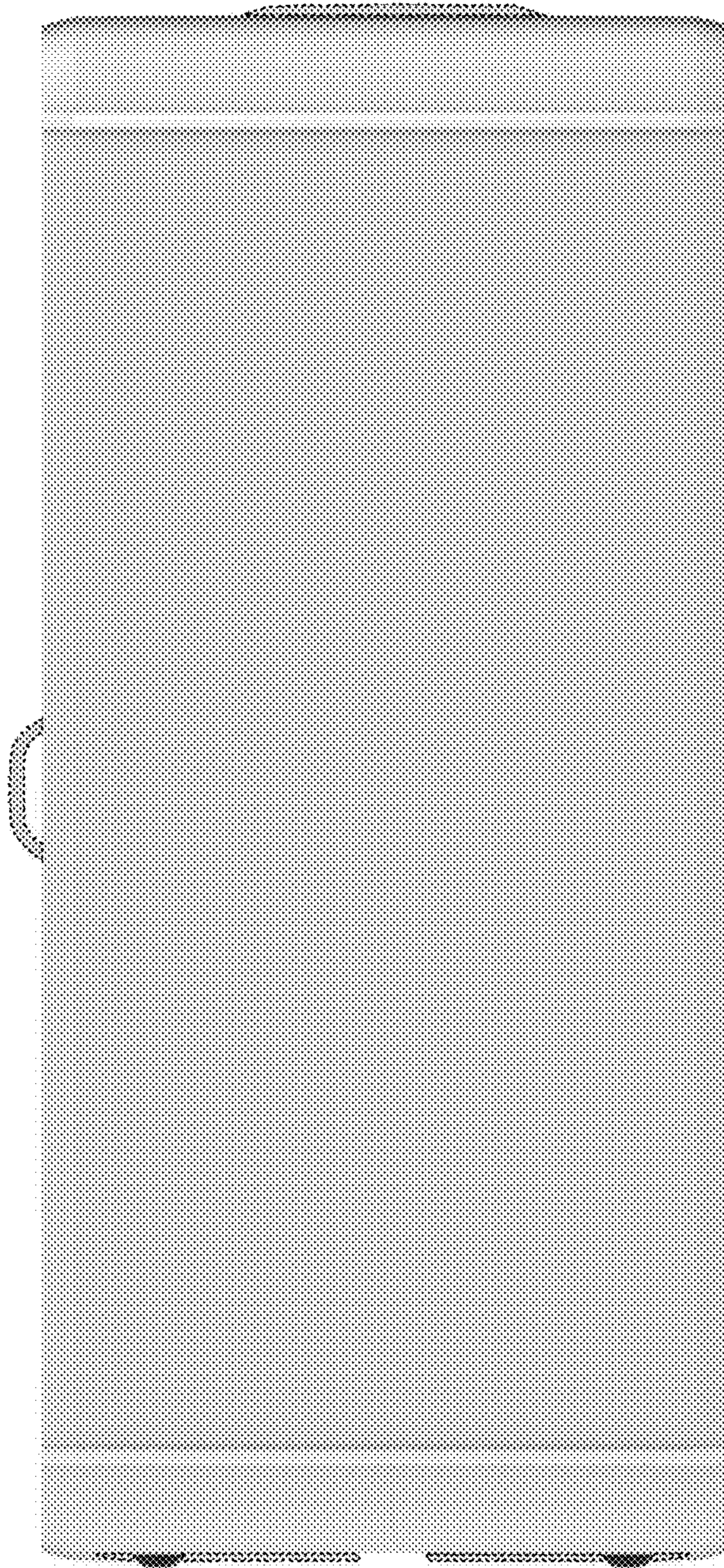


FIG. 9

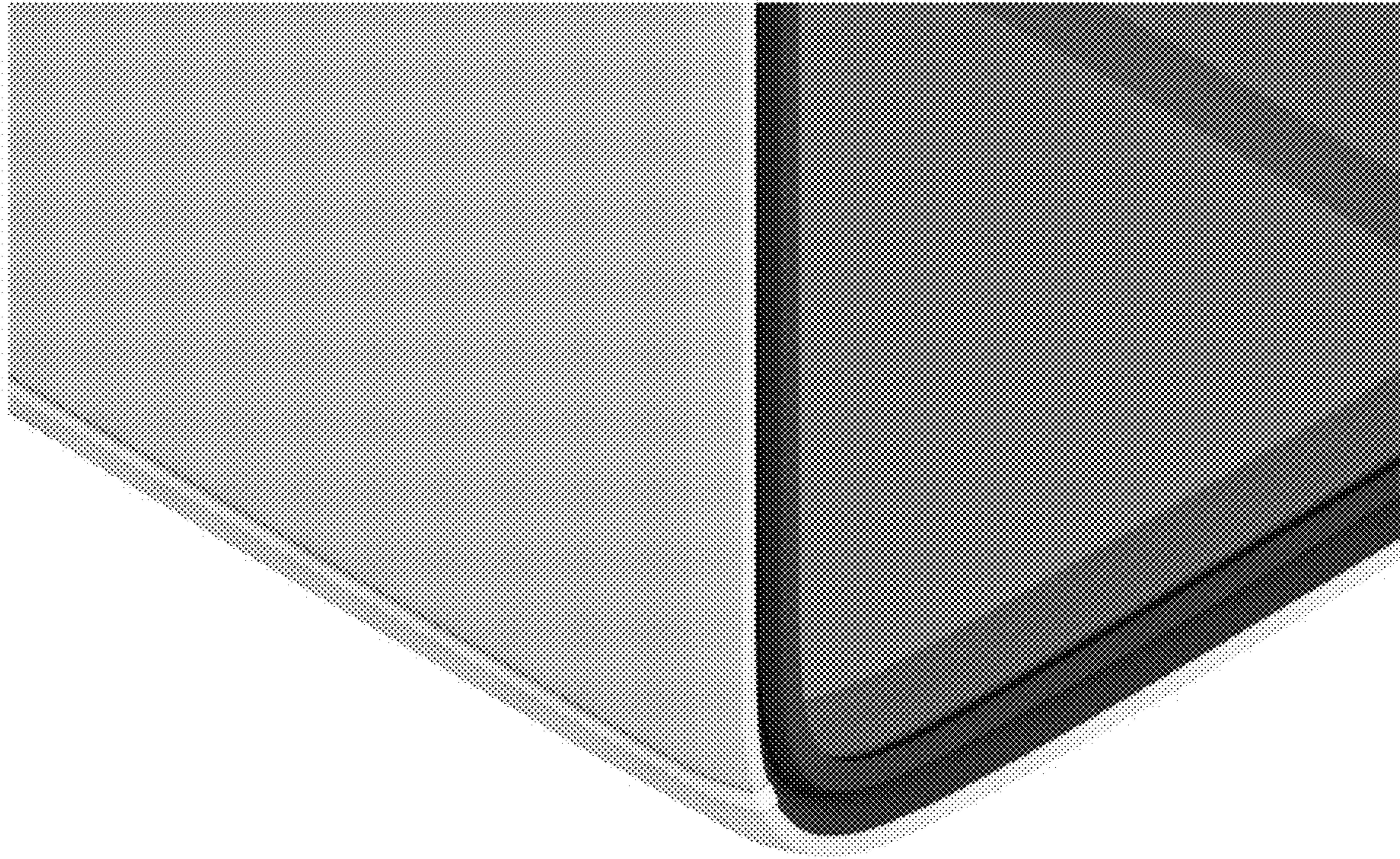


FIG. 10