



US00D968644S

(12) **United States Design Patent**
Schatilov

(10) **Patent No.:** **US D968,644 S**

(45) **Date of Patent:** **** Nov. 1, 2022**

(54) **MEDICAL INSTRUMENT**

(71) Applicant: **SARSTEDT AG & Co. KG,**
Nümbrecht (DE)

(72) Inventor: **Paul Schatilov,** Waldbröl (DE)

(73) Assignee: **SARSTEDT AG & Co. KG,**
Nuembrecht (DE)

(**) Term: **15 Years**

(21) Appl. No.: **35/512,148**

(22) Filed: **Jun. 4, 2021**

(80) **Hague Agreement Data**

Int. Filing Date: **Jun. 4, 2021**

Int. Reg. No.: **DM/215018**

Int. Reg. Date: **Jun. 4, 2021**

Int. Reg. Pub. Date: **Jul. 9, 2021**

(51) **LOC (13) Cl.** **24-02**

(52) **U.S. Cl.**

USPC **D24/230**

(58) **Field of Classification Search**

USPC D22/108; D9/756-757; D24/226, 230

CPC B01L 2200/025; B65D 25/108

See application file for complete search history.

(56) **References Cited**

U.S. PATENT DOCUMENTS

D337,165 S * 7/1993 Malinoff D24/227

D359,126 S * 6/1995 Hovatter D24/227

D392,743 S * 3/1998 Stouter D24/230

D420,743 S * 2/2000 Monks D24/224

D667,681 S * 9/2012 Carsten D7/354

D677,400 S * 3/2013 Blaettler D24/230

8,430,251 B2 * 4/2013 Fry B01L 9/06

211/85.18

D699,371 S * 2/2014 Williams D24/230

D724,236 S * 3/2015 Motadel D24/227

10,182,681 B1 * 1/2019 Hart A21B 3/132

D875,968 S * 2/2020 Curry D24/227

2017/0297027 A1 * 10/2017 Knight B01L 3/527

FOREIGN PATENT DOCUMENTS

CN 105501503 A * 4/2016 A61J 1/16

* cited by examiner

Primary Examiner — Michael A. Pratt

(74) *Attorney, Agent, or Firm* — Collard & Roe, P.C.

(57) **CLAIM**

The ornamental design for a medical instrument, as shown and described.

DESCRIPTION

1.1 is a top view of a medical instrument, showing our new design;

1.2 is a bottom view thereof;

1.3 is a right side view thereof;

1.4 is a front view thereof;

1.5 is a left side view thereof;

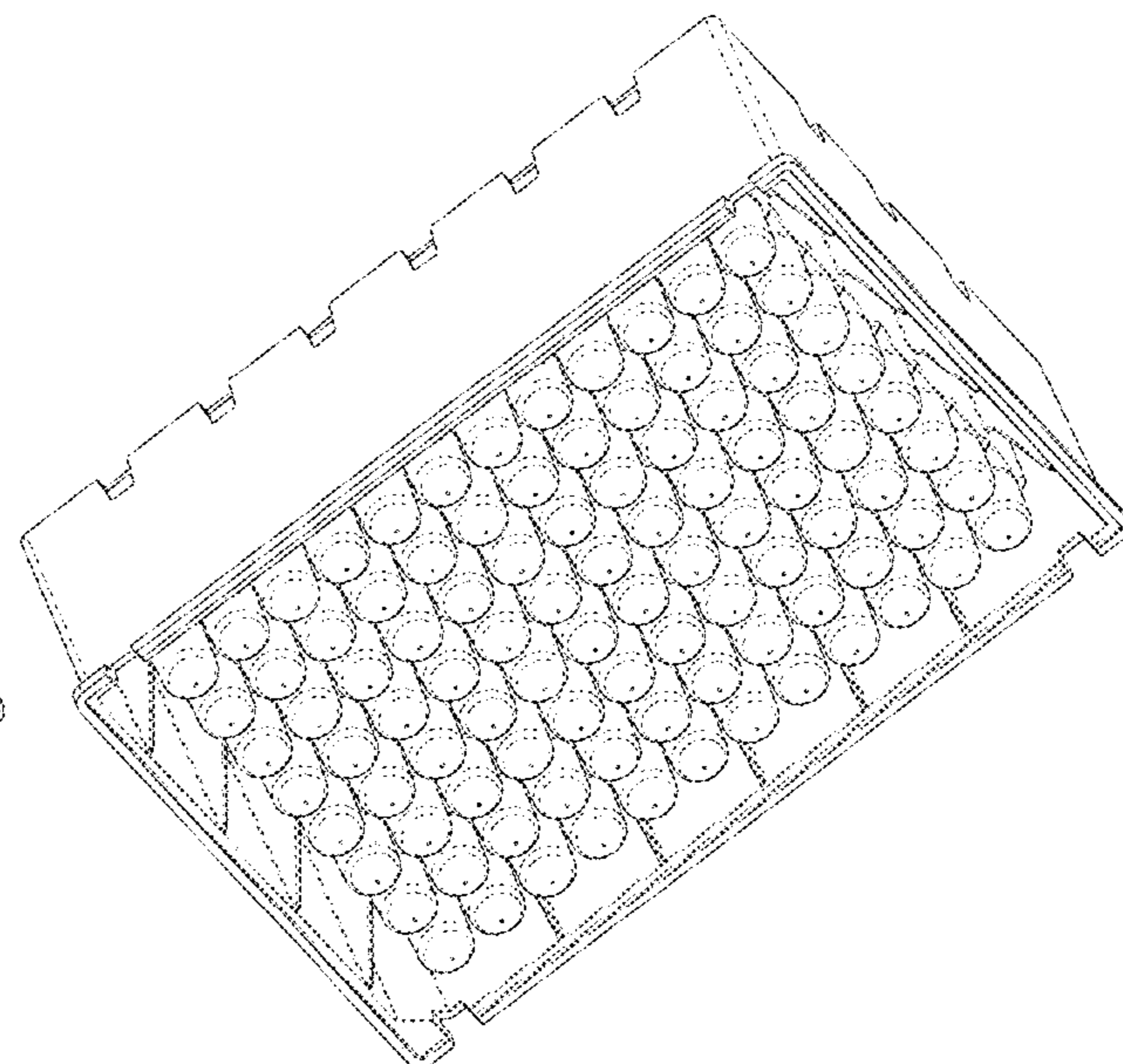
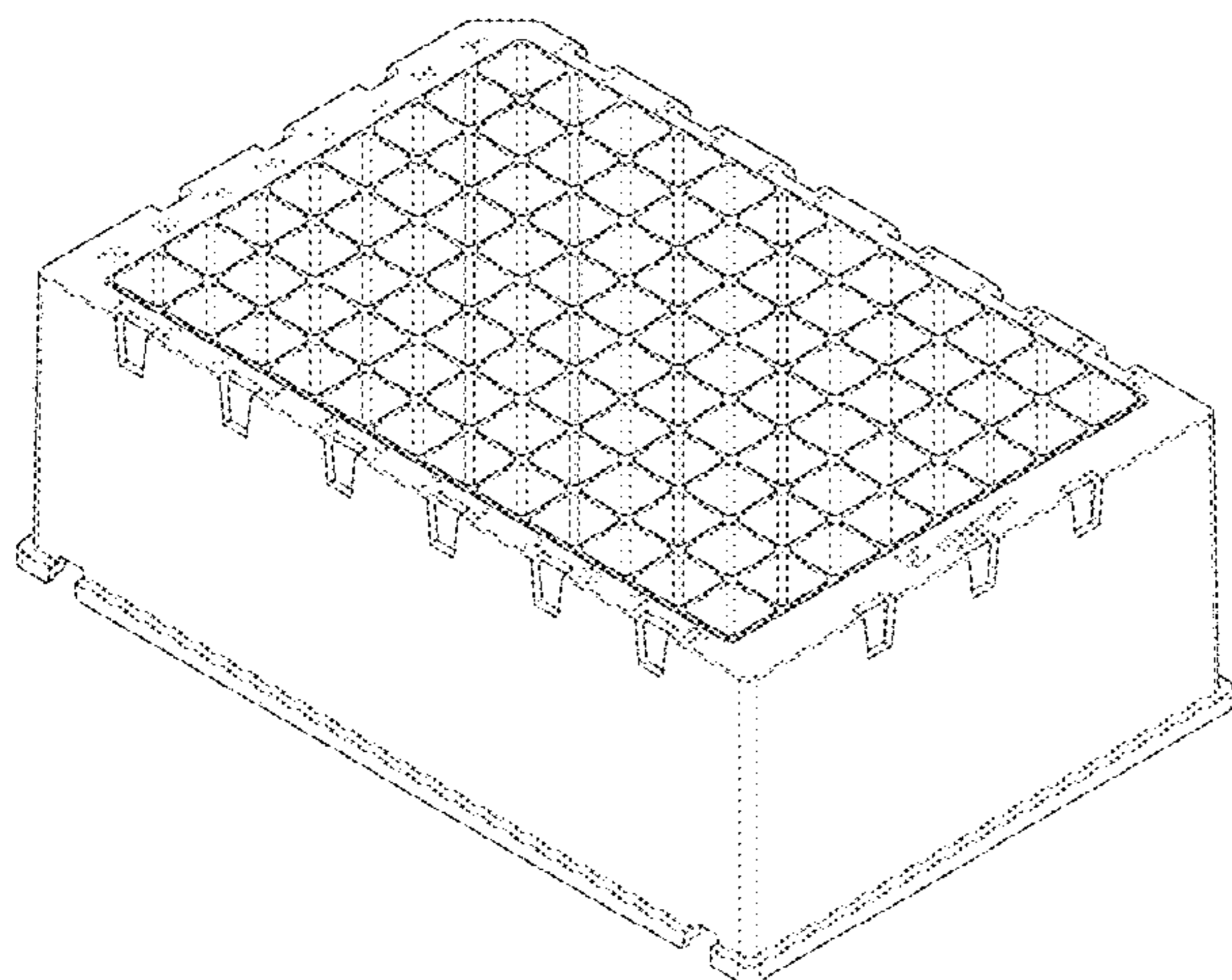
1.6 is a rear view thereof;

1.7 is a top, front and left side perspective view thereof; and

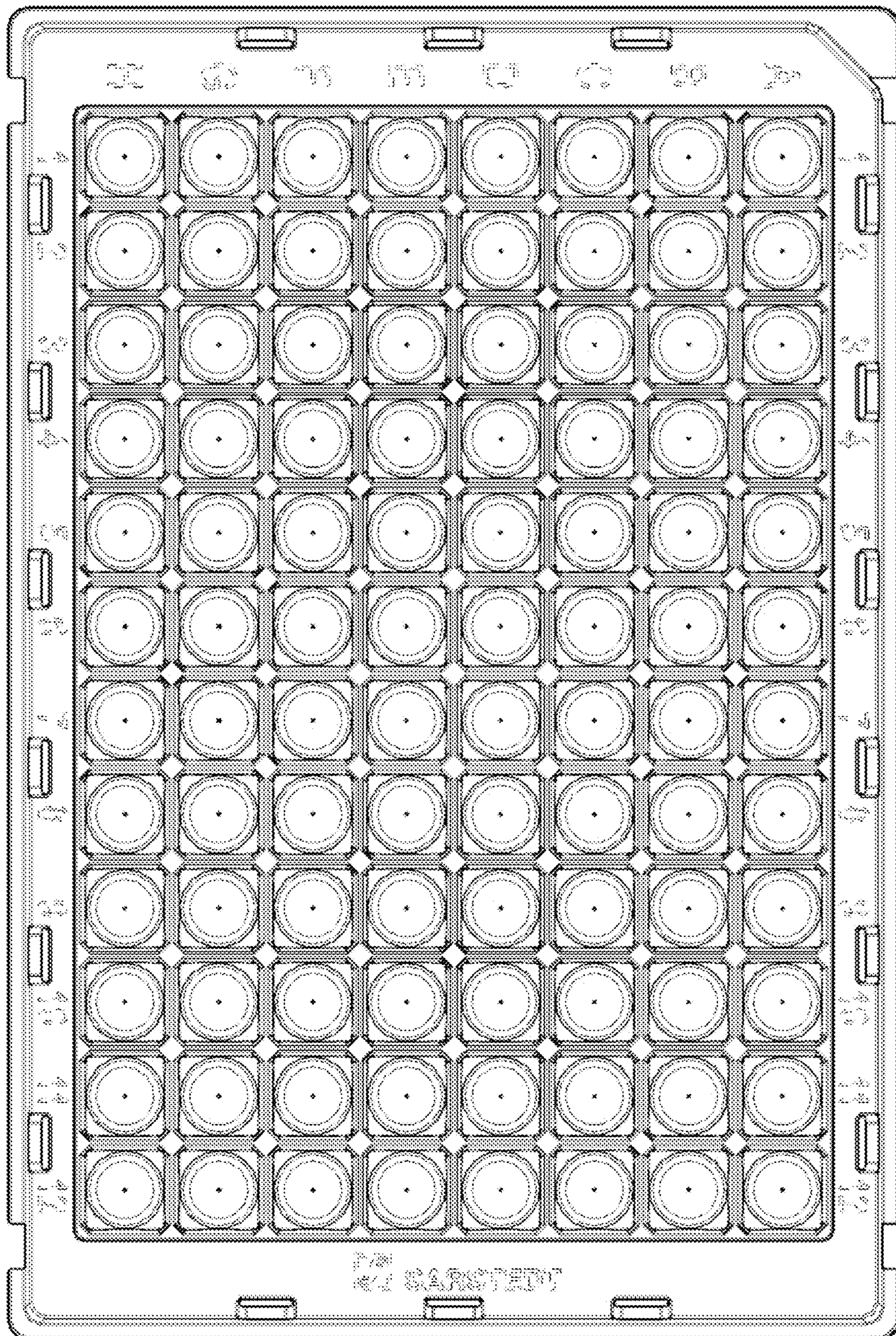
1.8 is a bottom, rear and right side view thereof.

The surface markings shown in broken lines on the top surface in 1.1 and 1.7 form no part of the claimed design.

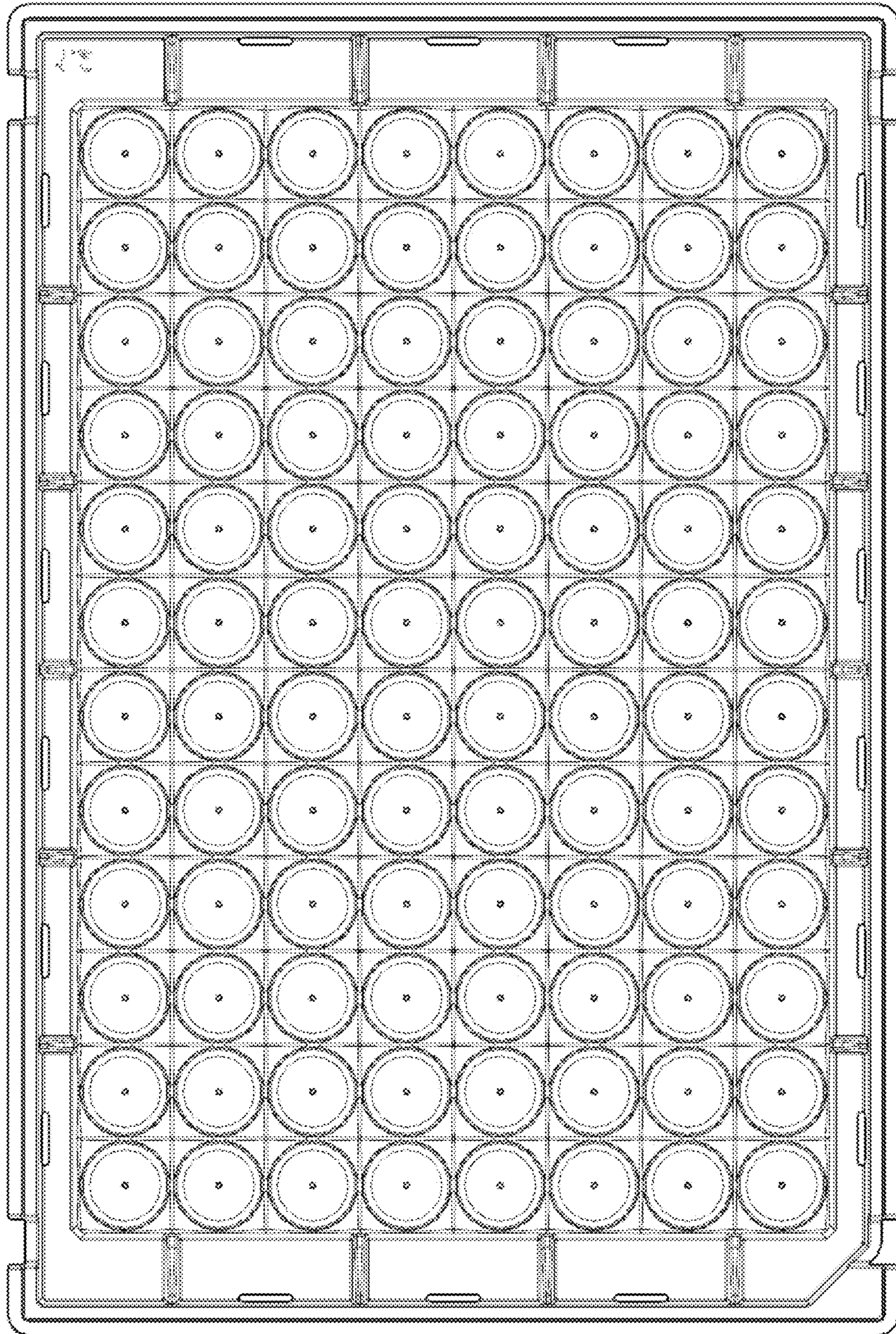
1 Claim, 8 Drawing Sheets



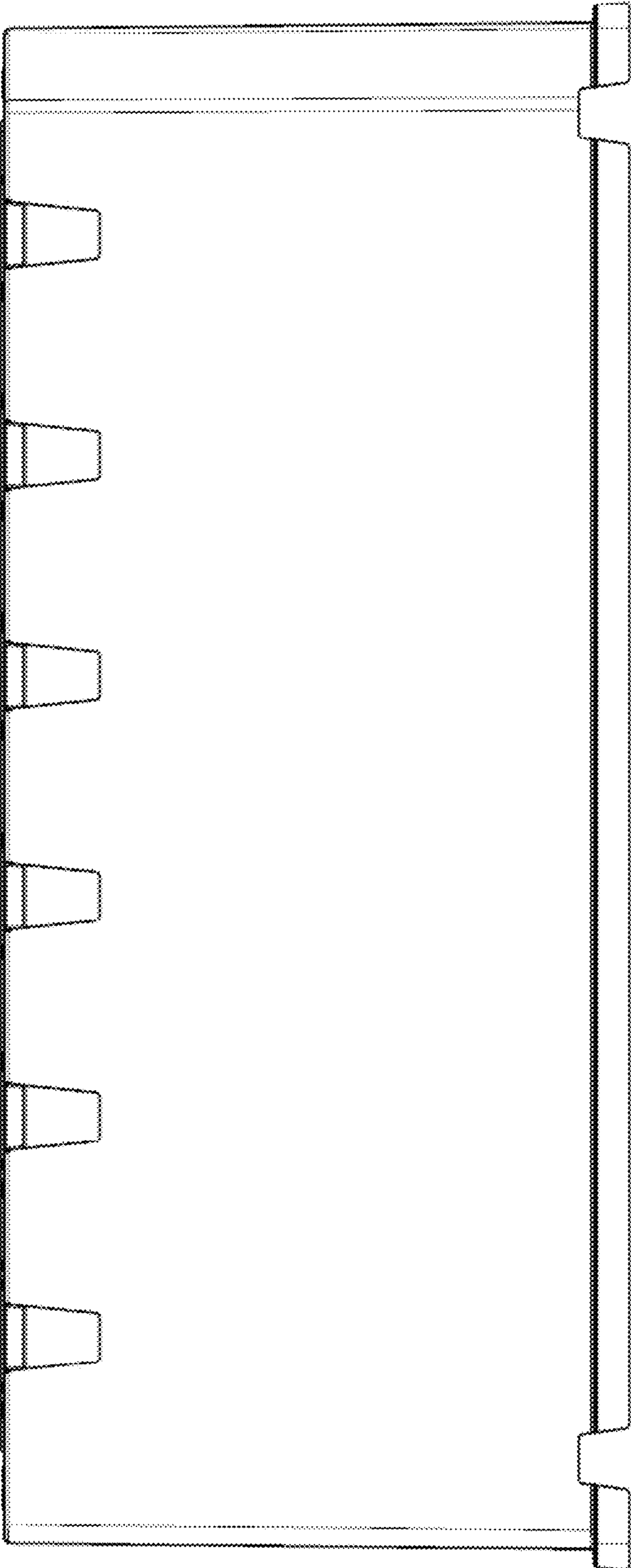
1.1



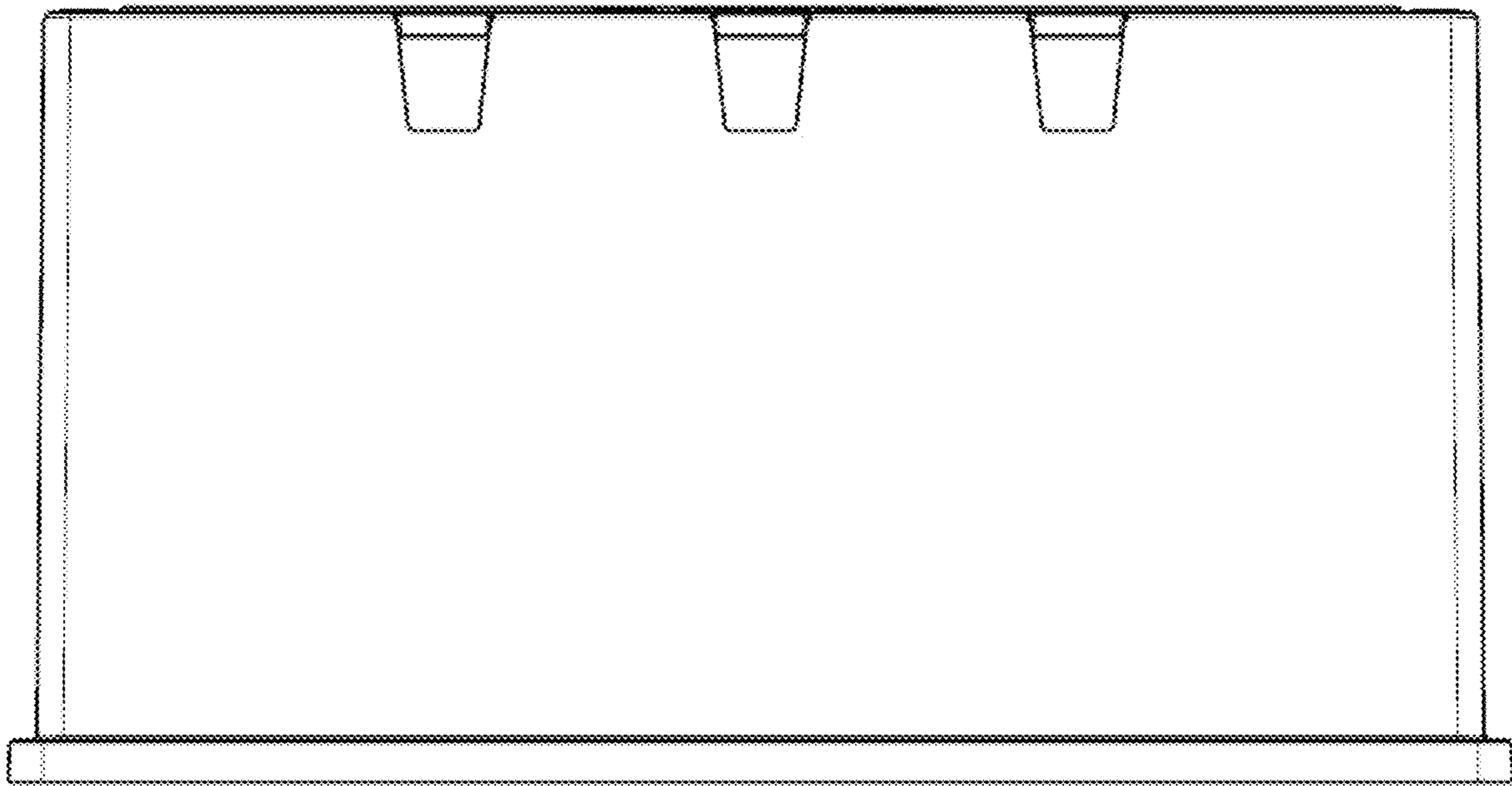
1.2



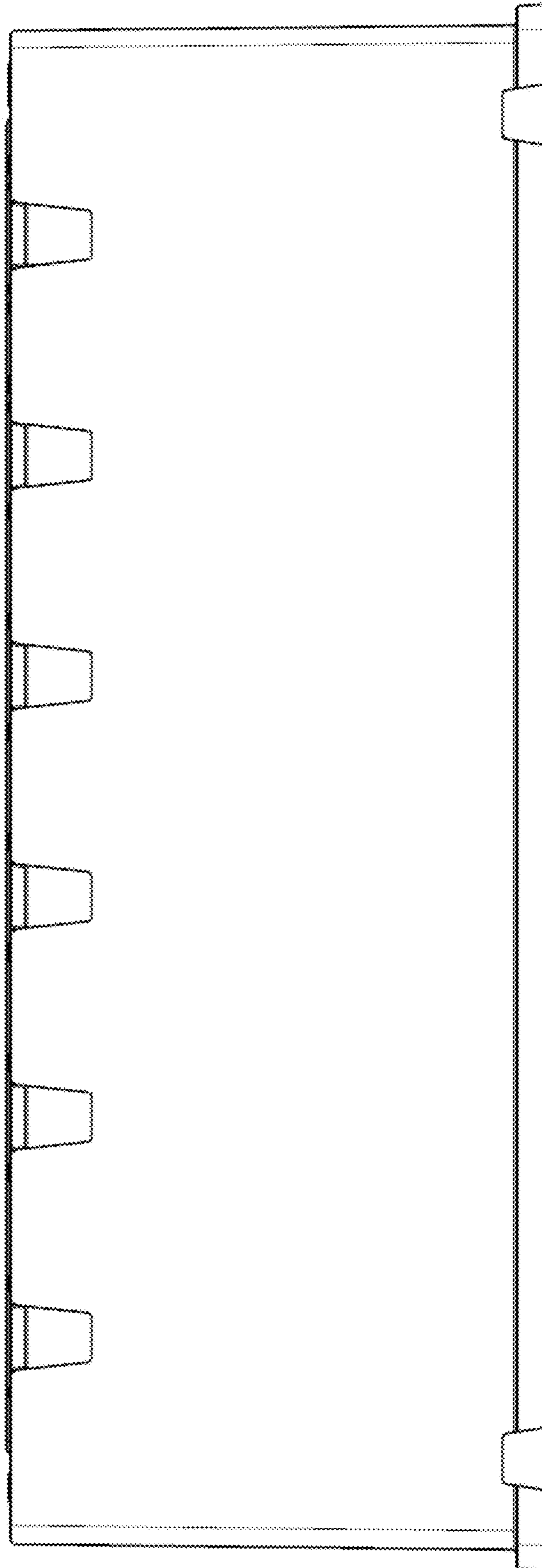
1.3



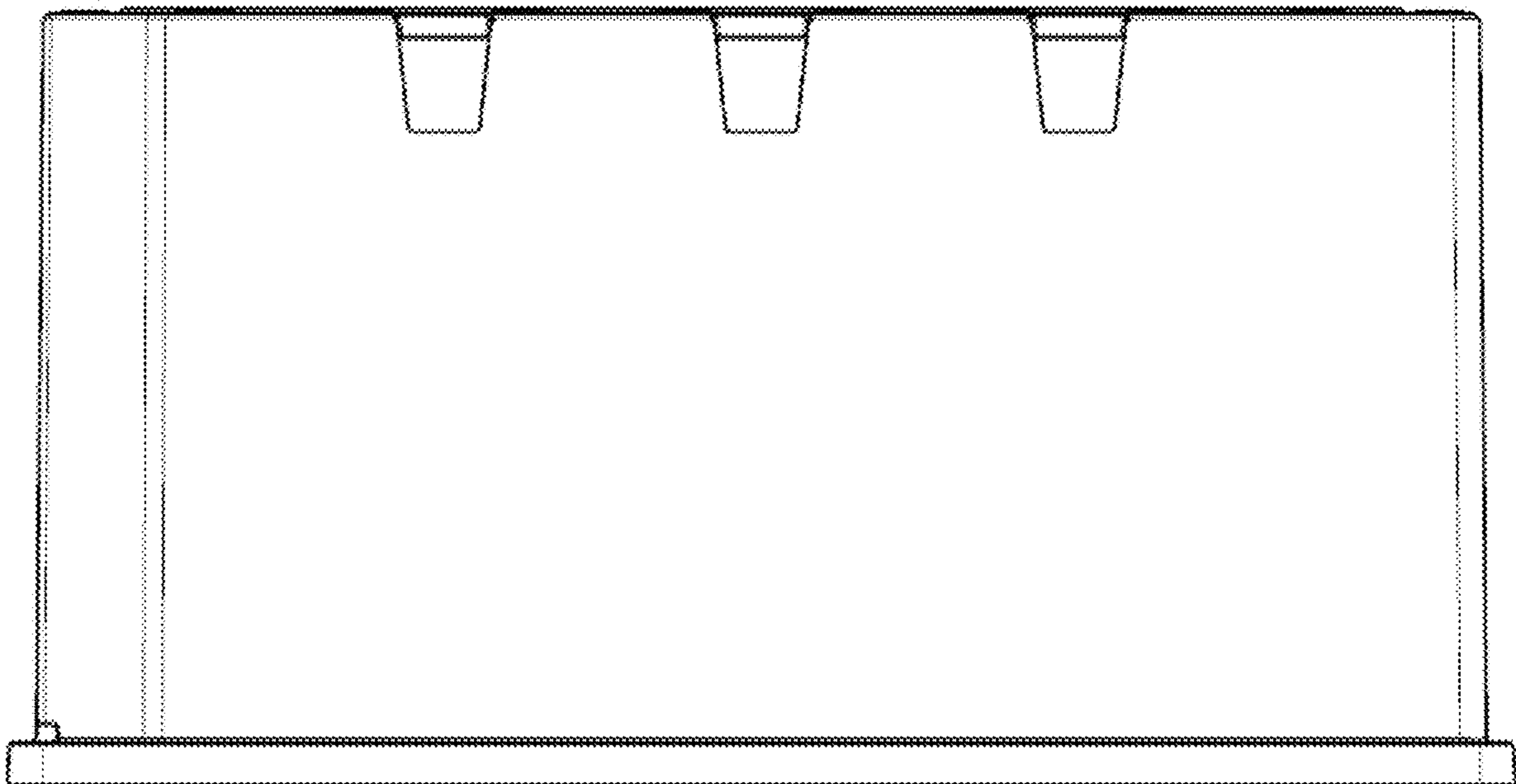
1.4



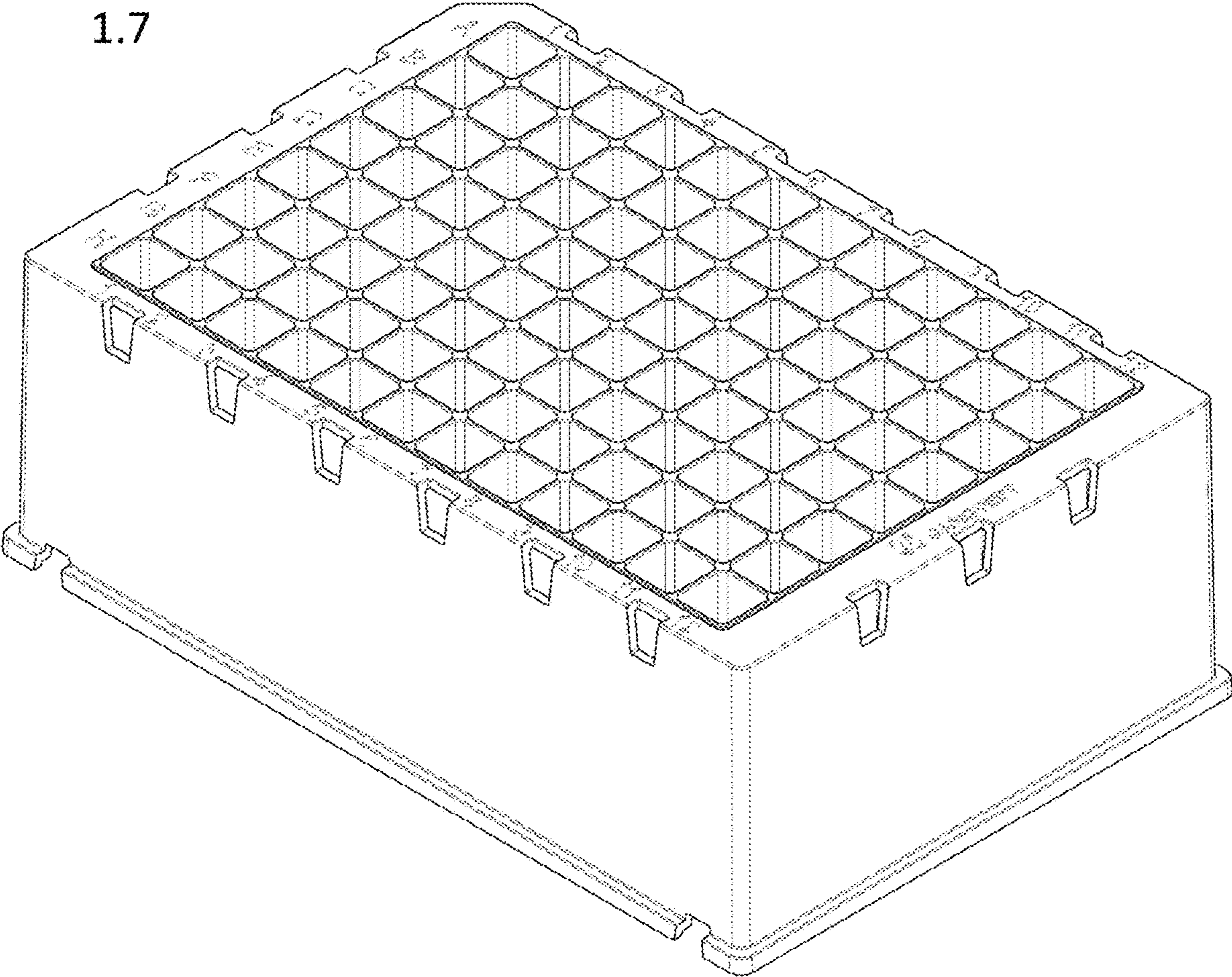
1.5



1.6



1.7



1.8

