



US00D968643S

(12) **United States Design Patent** (10) **Patent No.:** **US D968,643 S**
Hawkins et al. (45) **Date of Patent:** **** Nov. 1, 2022**

(54) **SUPPORT PACK**
(71) Applicant: **Truvian Sciences, Inc.**, San Diego, CA (US)
(72) Inventors: **Jeff Hawkins**, San Marcos, CA (US); **Dena Marrinucci**, San Diego, CA (US); **Ian Kleinemolen**, La Jolla, CA (US); **Alan Quinn**, Alphington (AU); **Tyson Grant**, San Marcos, CA (US)

D808,039 S * 1/2018 Self D24/227
D808,540 S * 1/2018 Johns D24/227
D812,243 S * 3/2018 Johns D24/227
D826,425 S * 8/2018 Muller D24/230
D832,456 S * 10/2018 Self D24/224
D838,380 S * 1/2019 Self D24/224
D852,977 S * 7/2019 Suchocki D24/226
D918,417 S * 5/2021 O'Mahony D24/229
D920,536 S * 5/2021 Self D24/227

(Continued)

FOREIGN PATENT DOCUMENTS

(73) Assignee: **Truvian Sciences, Inc.**, San Diego, CA (US)

CN 201730159377 * 7/2017
CN 201930563587.0 * 3/2020

(**) Term: **15 Years**

OTHER PUBLICATIONS

(21) Appl. No.: **29/735,092**

Benchtop System. Benchmark Results. Online, published date unknown. Retrieved on Aug. 27, 2021 from URL: <https://truvianhealth.com/#technology>.*

(22) Filed: **May 18, 2020**

(51) **LOC (13) Cl.** **24-02**

(52) **U.S. Cl.**

USPC **D24/230**

(58) **Field of Classification Search**

USPC D24/128, 216, 223-230; D3/203.1, D3/203.3; D19/75, 85, 90

CPC A61B 5/150343; B01D 9/00; B01L 3/06; B01L 3/502; B01L 3/5025; B01L 3/5082; B01L 3/5085

See application file for complete search history.

(Continued)

Primary Examiner — Omeed Agilee

(74) *Attorney, Agent, or Firm* — DLA Piper LLP (US)

(57)

CLAIM

We claim the ornamental design for a support rack, as shown and described.

DESCRIPTION

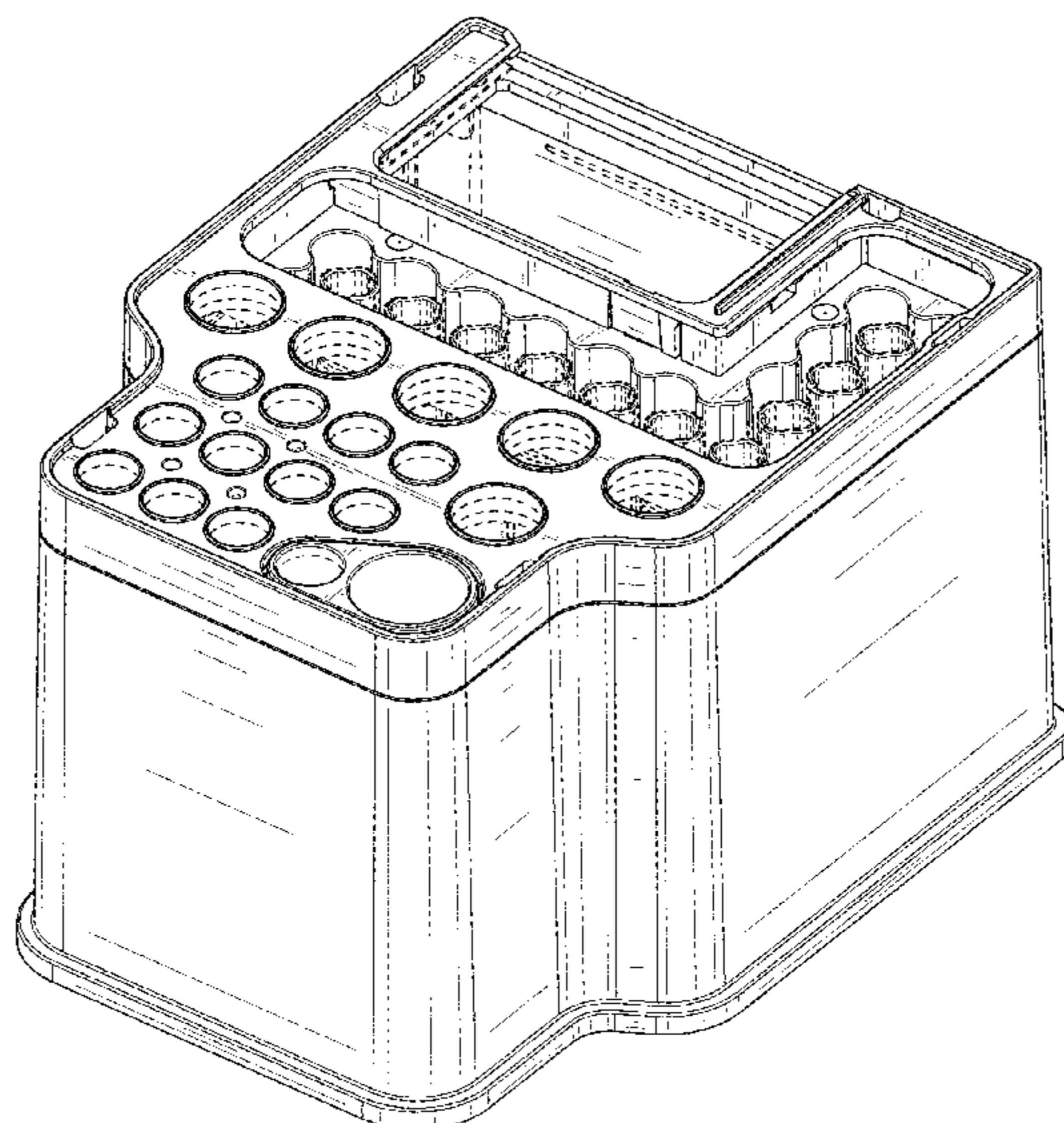
(56) **References Cited**

U.S. PATENT DOCUMENTS

D332,664 S * 1/1993 Sincock D24/227
D338,965 S * 8/1993 Glanz D24/227
D420,142 S * 2/2000 Ballin D24/230
D420,743 S * 2/2000 Monks D24/224
D438,632 S * 3/2001 Miller D24/216
D438,633 S * 3/2001 Miller D24/216
6,819,408 B1 11/2004 Scrivens et al.
D628,306 S * 11/2010 Blanc D24/230
D674,112 S * 1/2013 Demas D24/226
D776,297 S * 1/2017 Demas D24/230

FIG. 1 is a front perspective of a support rack;
FIG. 2 is another front perspective thereof;
FIG. 3 is a top plan view thereof;
FIG. 4 is a bottom plan view thereof;
FIG. 5 is a right elevational view thereof;
FIG. 6 is a left elevational view thereof;
FIG. 7 is a front elevational view thereof; and,
FIG. 8 is a rear elevational view thereof.
The broken lines in the drawings depict portions of the support rack that form no part of the claimed design.

1 Claim, 8 Drawing Sheets



(56)

References Cited

U.S. PATENT DOCUMENTS

D923,815 S * 6/2021 Livingston D24/226
D932,052 S * 9/2021 Zergiebel D24/227
D935,051 S * 11/2021 Hendrikx D24/227
2002/0125197 A1* 9/2002 Hager B01L 3/5025
210/739
2006/0223166 A1 10/2006 Wilding et al.
2007/0298433 A1 12/2007 Sia et al.
2010/0180980 A1* 7/2010 Lee G01N 35/1079
141/1
2012/0225446 A1 9/2012 Wimberger-Friedl et al.
2017/0136467 A1* 5/2017 Johns G01N 35/00732
2019/0247847 A1* 8/2019 Yung C12M 41/32
2020/0337946 A1* 10/2020 Thorne A61J 1/16

OTHER PUBLICATIONS

Coolcube Benchtop Tube Rack. Online, published date unknown.
Retrieved on Aug. 27, 2021 from URL: <https://morganvillescisci.com/shop/benchmark-scientific-products/benchtop-cooler/coolcube-benchtop-tube-rack/>.*
Wikipedia, "Red Blood Cell," 1987, retrieved on Jun. 11, 2020, 17 pages. https://en.wikipedia.org/wiki/Red_blood_cell.

* cited by examiner

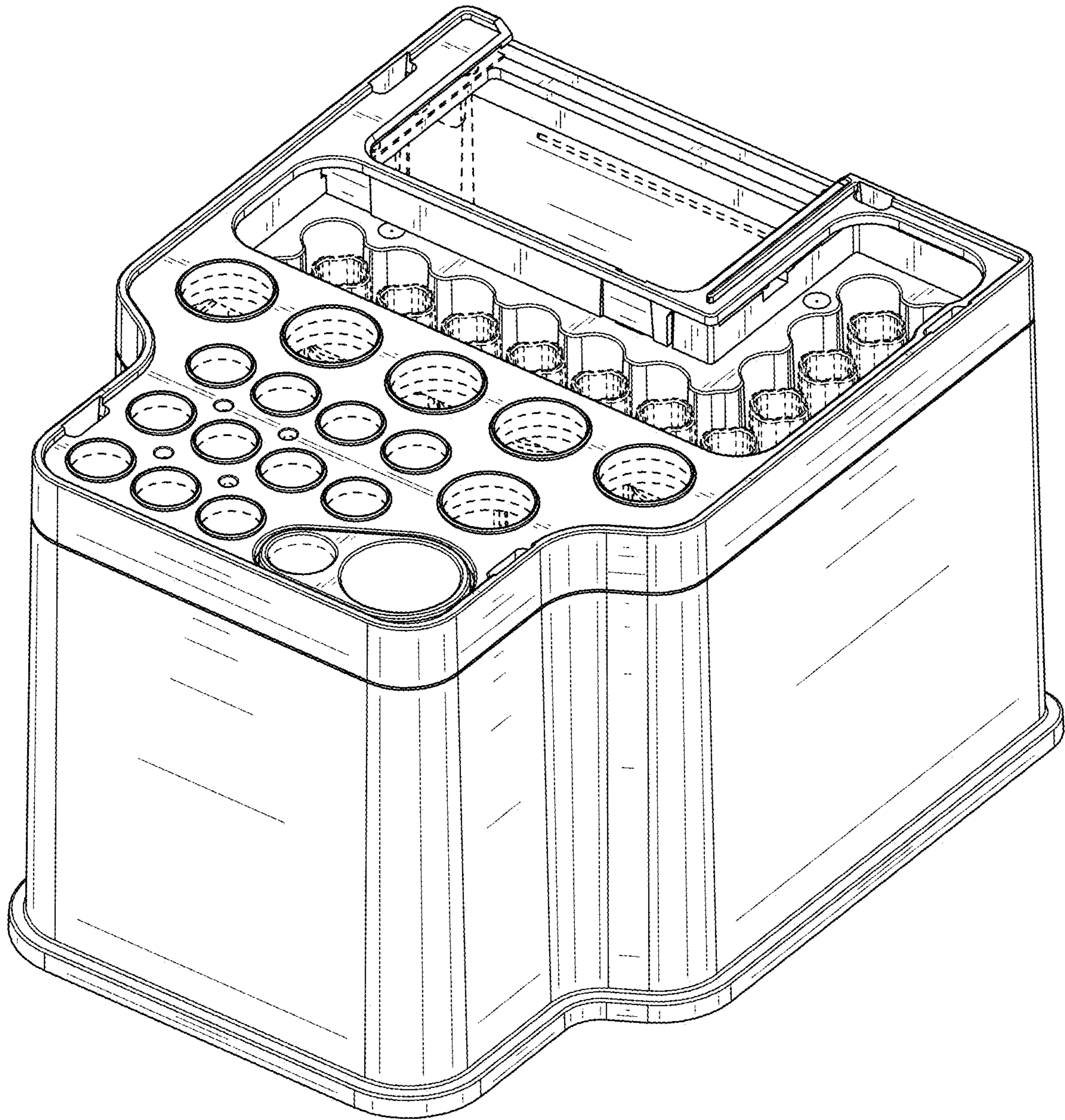


FIG. 1

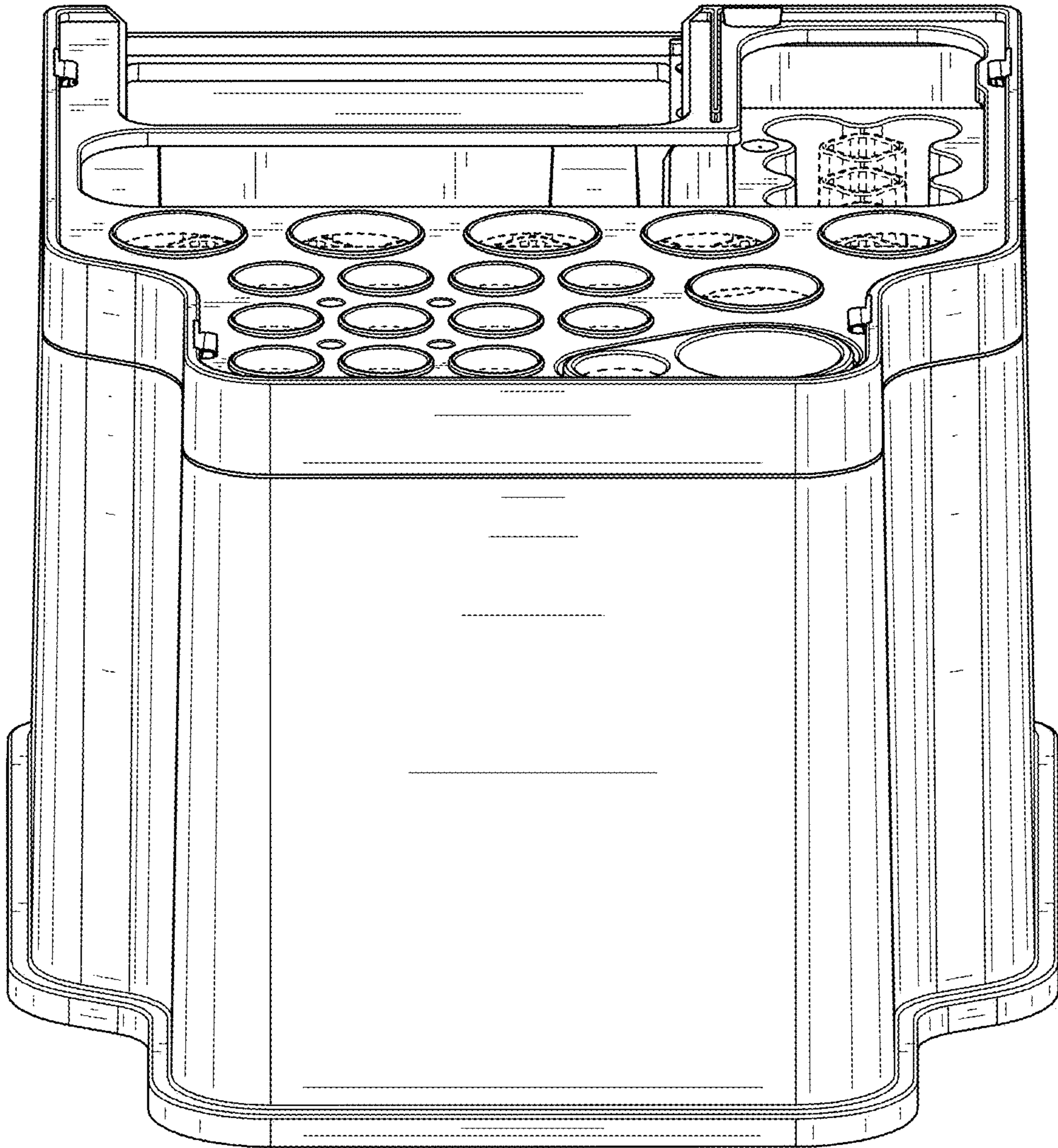


FIG. 2

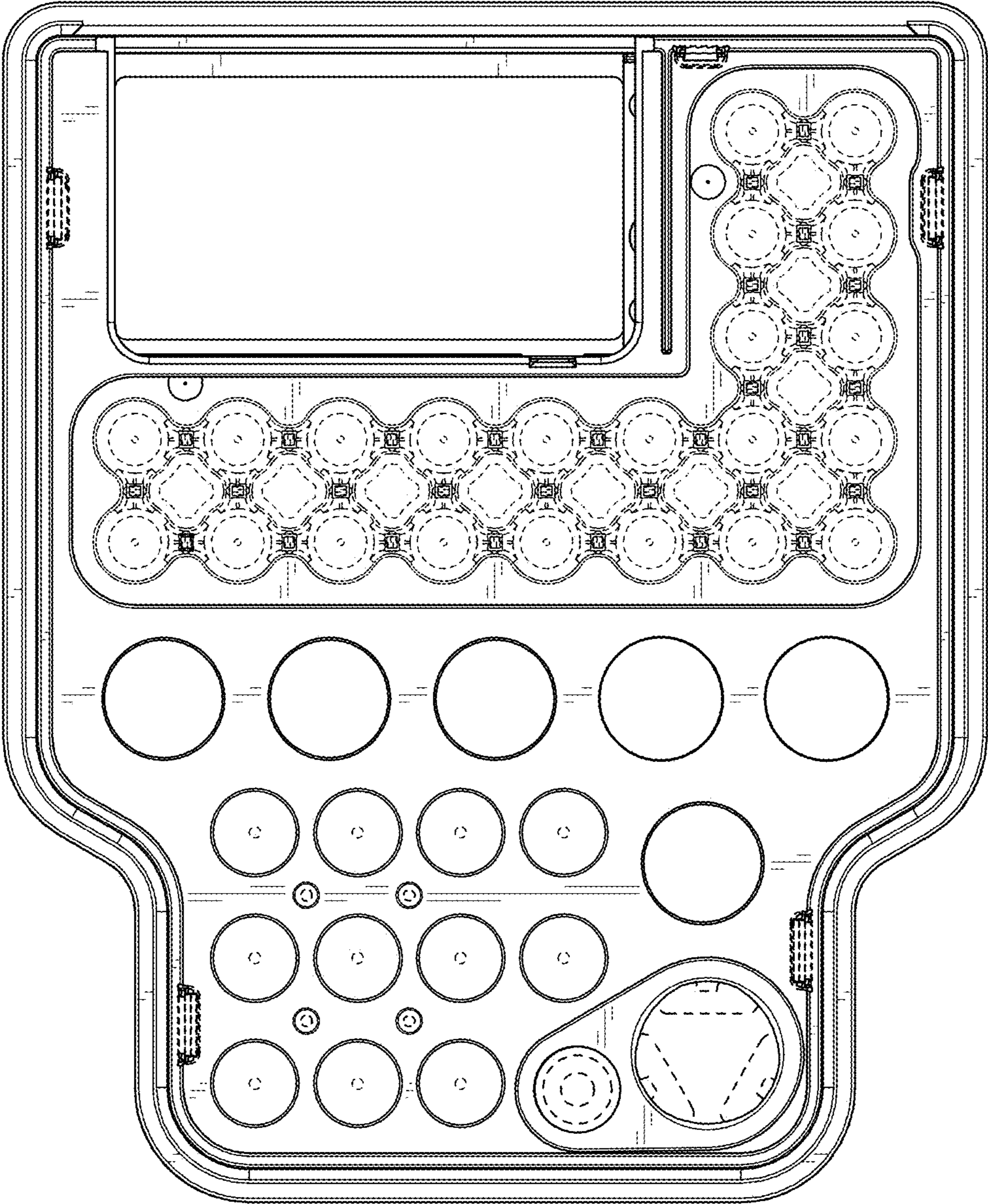


FIG. 3

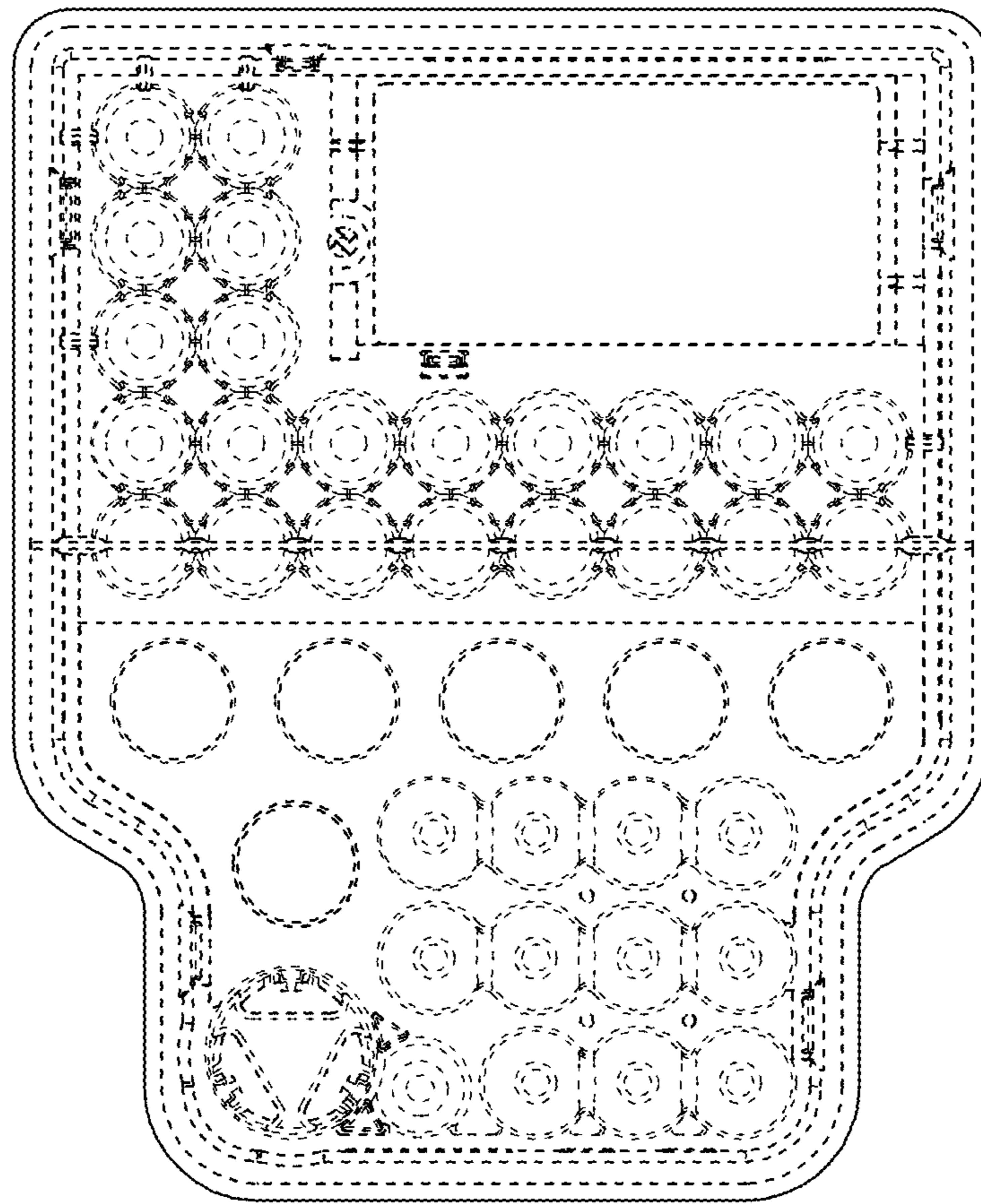


FIG. 4

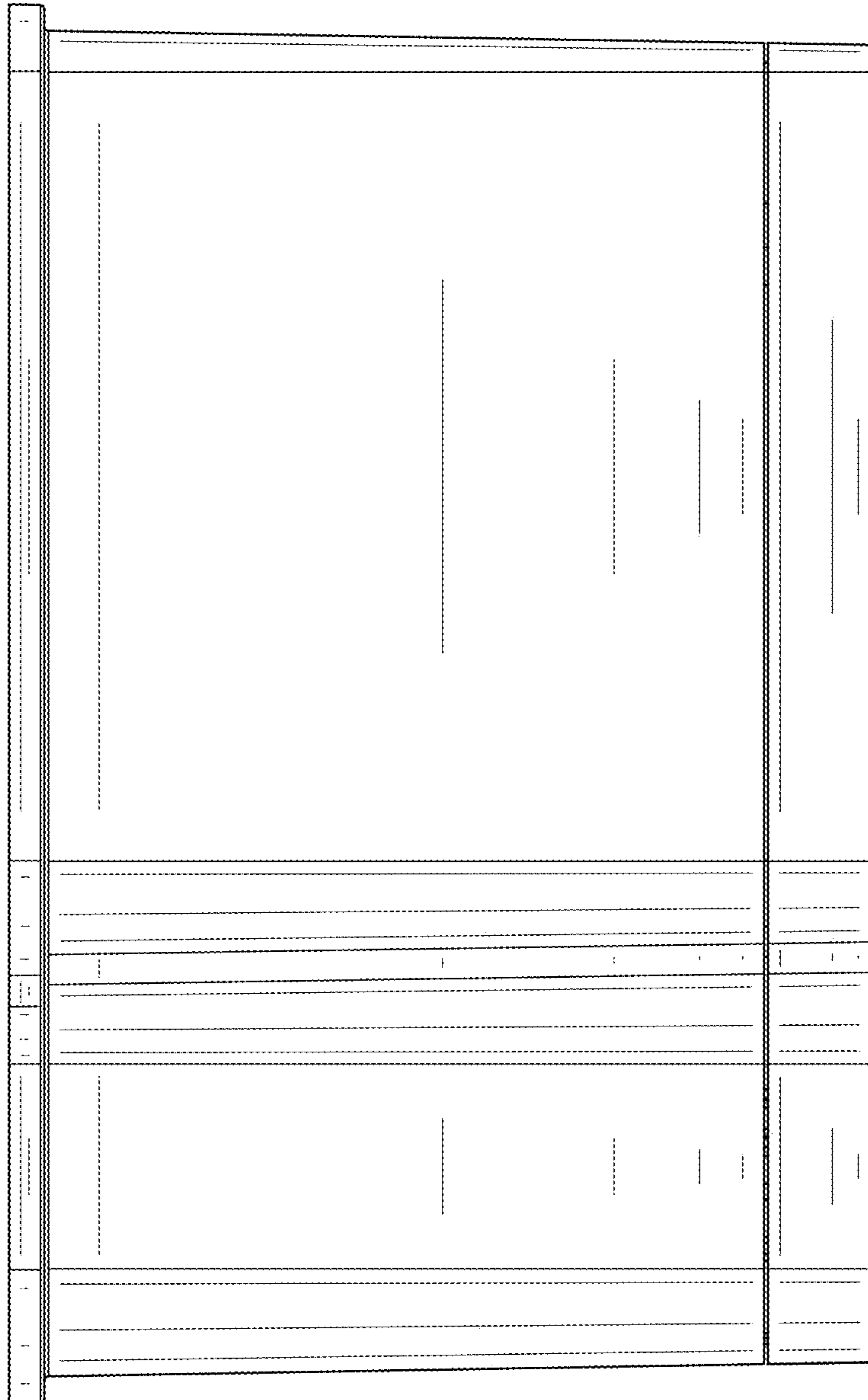


FIG. 5

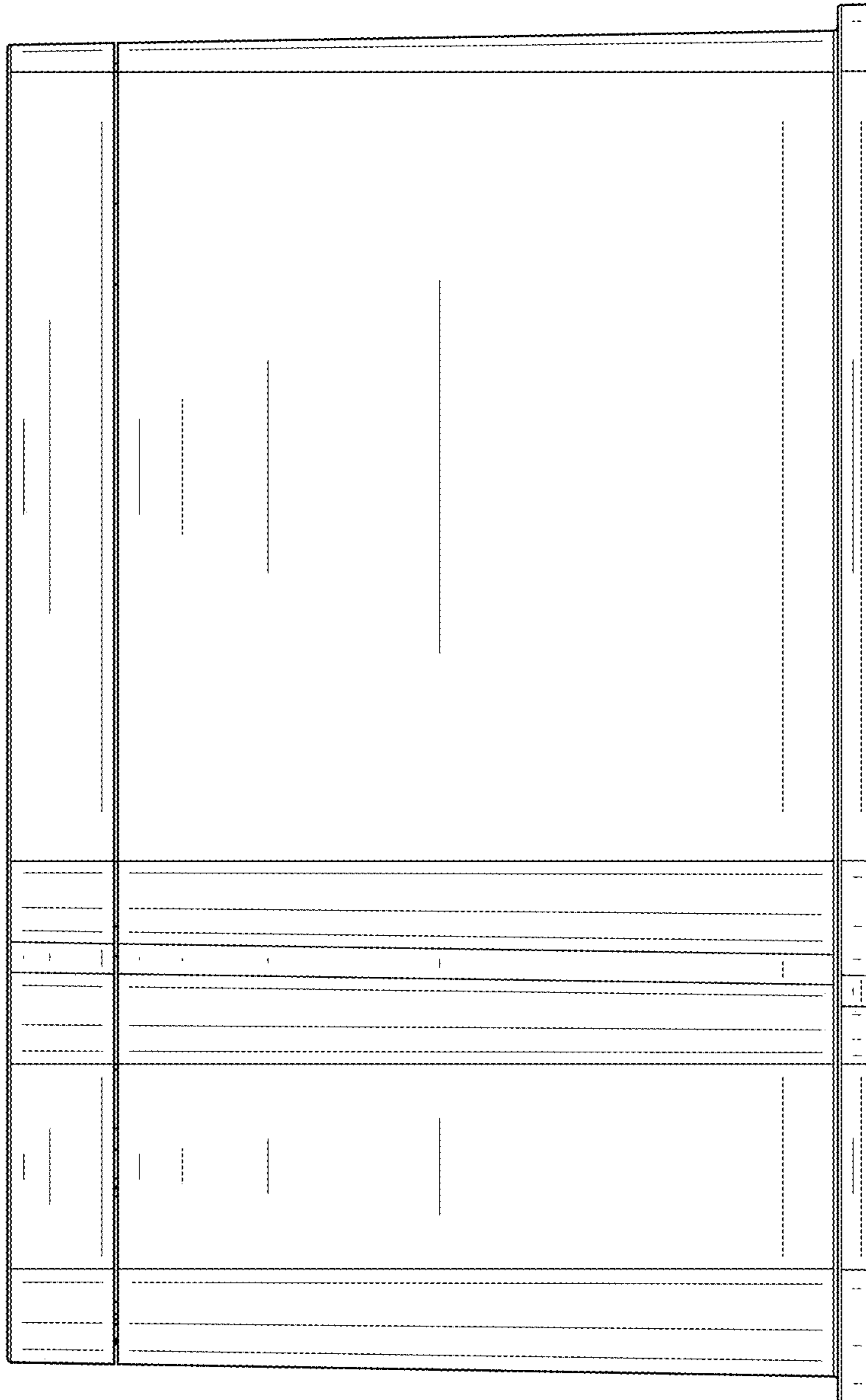


FIG. 6

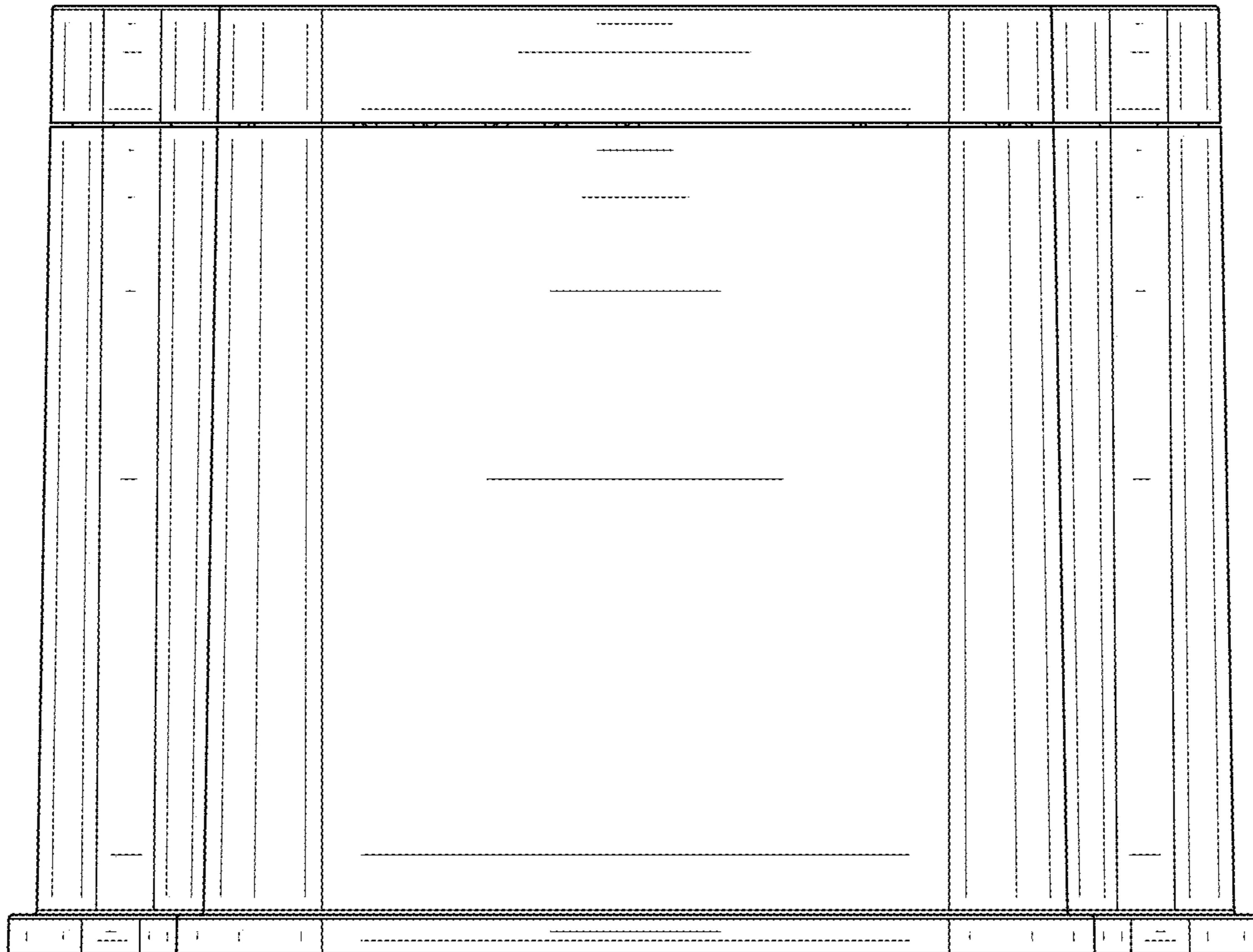


FIG. 7



FIG. 8