



US00D968642S

(12) **United States Design Patent** (10) **Patent No.:** **US D968,642 S**
Lang et al. (45) **Date of Patent:** **** Nov. 1, 2022**

(54) **TEST STRIP**

(71) Applicant: **LumiraDx UK Ltd**, London (GB)

(72) Inventors: **David Lang**, Glasgow (GB); **Michael Flett**, Cumbernauld (GB); **Alex Driver**, Cambridge (GB); **Benjamin Cox**, Cambridge (GB); **Iain Deane**, Dollar (GB); **Phillip Lowe**, Tullibody (GB); **Steven Keatch**, Stirling (GB); **Brian McGuigan**, Doune (GB); **Alexander Reid**, Edinburgh (GB)

(73) Assignee: **LumiraDx UK Ltd**, London (GB)

(**) Term: **15 Years**

(21) Appl. No.: **29/769,333**

(22) Filed: **Feb. 4, 2021**

Related U.S. Application Data

(62) Division of application No. 29/690,164, filed on May 6, 2019, now Pat. No. Des. 912,843.

(30) **Foreign Application Priority Data**

Nov. 6, 2018 (EM) 005817863-0003
Nov. 6, 2018 (EM) 005817863-0004
Nov. 6, 2018 (EM) 005817863-0005
Nov. 6, 2018 (EM) 005817863-0006

(51) **LOC (13) Cl.** **24-01**

(52) **U.S. Cl.**
USPC **D24/225**

(58) **Field of Classification Search**
USPC D24/107, 121, 129, 130, 186, 216,
D24/223–227, 231, 232, 169; D10/81
CPC B01L 3/5023; B01L 2300/041; B01L
2300/0887; B01L 2300/0825; B01L
33/4875

See application file for complete search history.

(56) **References Cited**

U.S. PATENT DOCUMENTS

D331,807 S 12/1992 Sodergren
5,962,333 A * 10/1999 Incorvia G01N 33/525
422/417
D456,083 S 4/2002 Clark et al.
D456,910 S 5/2002 Clark et al.
D501,560 S 2/2005 Whyte et al.
D528,215 S 9/2006 Malmsaeter
D686,516 S * 7/2013 Wang D24/225
D705,443 S * 5/2014 Ichimura D24/224
D726,320 S * 4/2015 Jackson D24/169
D912,843 S * 3/2021 Lang D24/225
D936,856 S * 11/2021 Hawkins G01N 15/1484
D24/225
2007/0278097 A1 12/2007 Bhullar et al.
2008/0128278 A1 6/2008 Bae et al.
2010/0051455 A1 3/2010 Wooldridge et al.

(Continued)

Primary Examiner — Anhdao Doan

(74) *Attorney, Agent, or Firm* — Alston & Bird LLP

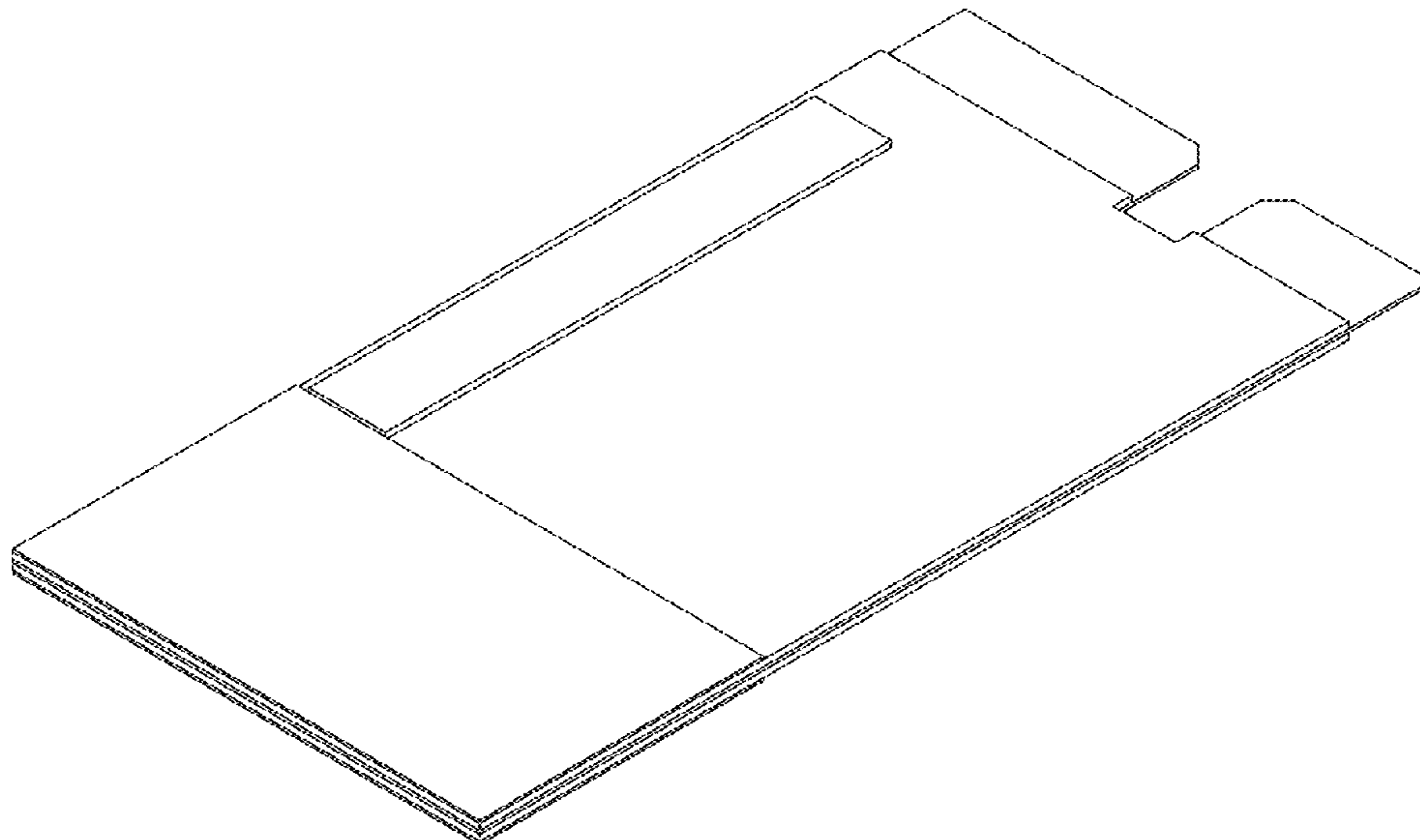
(57) **CLAIM**

The ornamental design for a test strip, as shown and described.

DESCRIPTION

FIG. 1 is a top perspective view of a test strip according to an embodiment of the present design.
FIG. 2 is a top view of the test strip of FIG. 1.
FIG. 3 is a bottom view of the test strip of FIG. 1.
FIG. 4 is a front view the test strip of FIG. 1.
FIG. 5 is a back view of the test strip of FIG. 1.
FIG. 6 is a right side view of the test strip of FIG. 1.
FIG. 7 is a left side view of the test strip of FIG. 1; and,
FIG. 8 is a bottom perspective view of the test strip of FIG. 1.

1 Claim, 4 Drawing Sheets



(56)

References Cited

U.S. PATENT DOCUMENTS

2011/0046453 A1 2/2011 Keil
2019/0160460 A1 5/2019 Keatch et al.

* cited by examiner

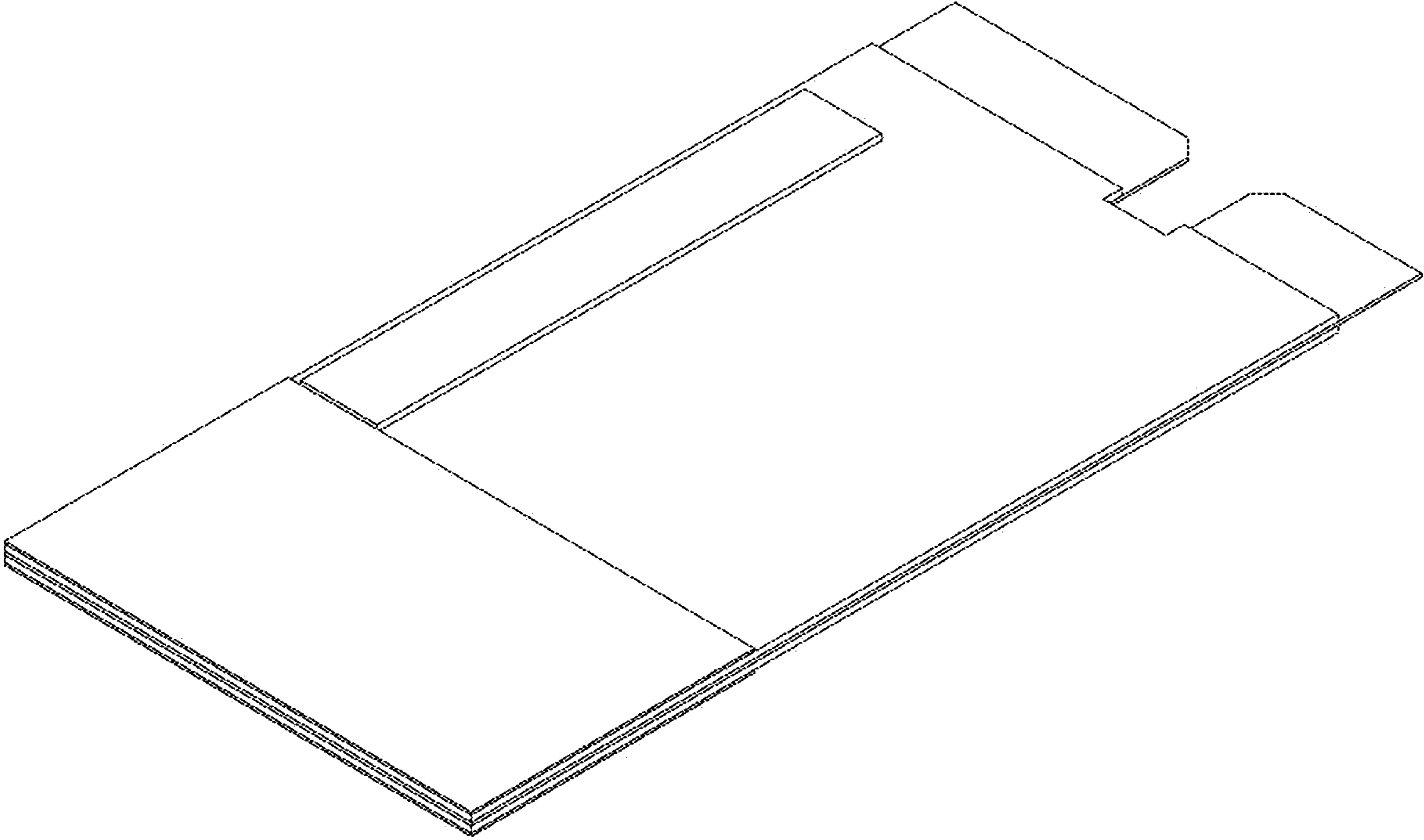


FIG. 1

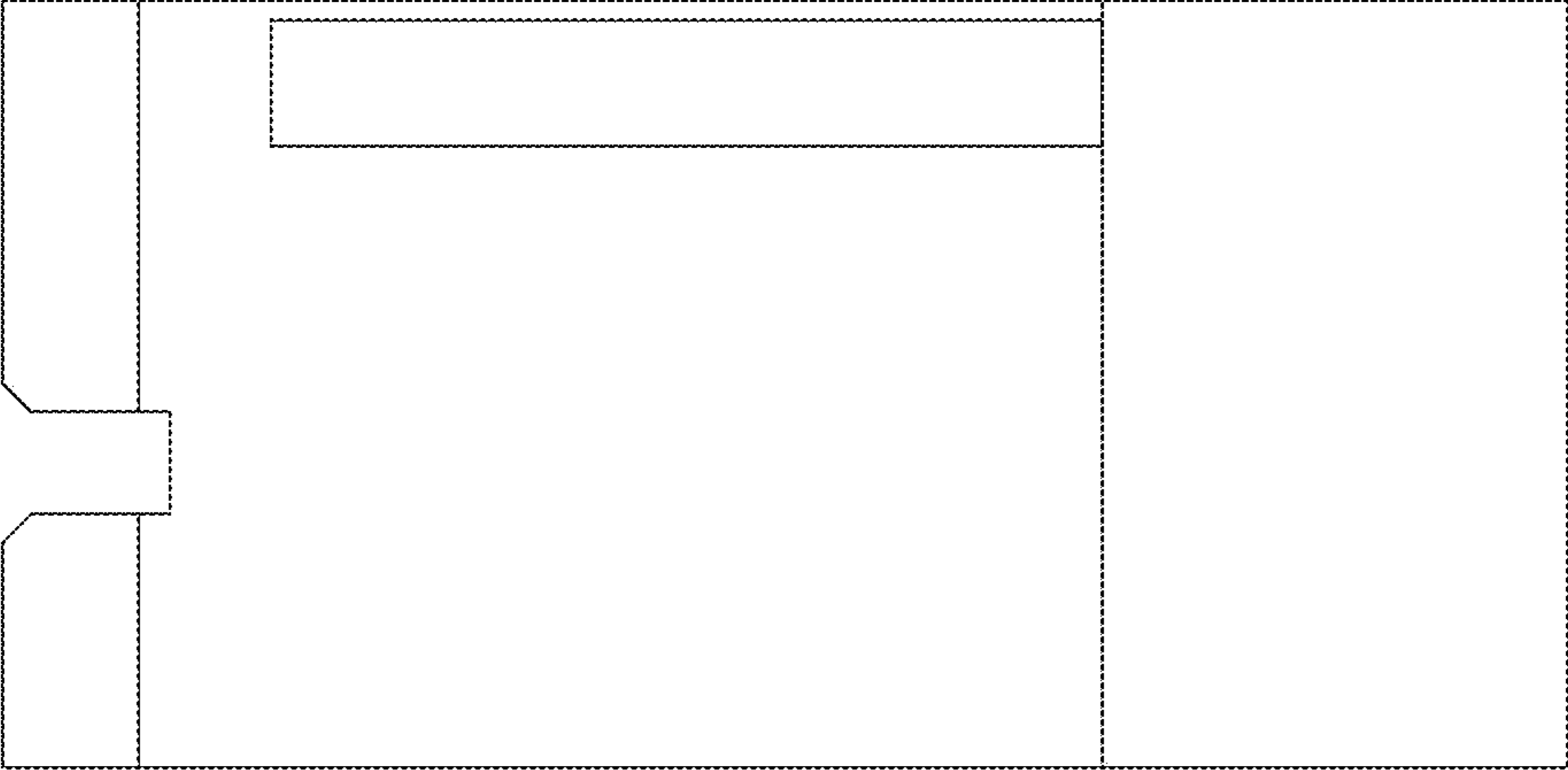


FIG. 2

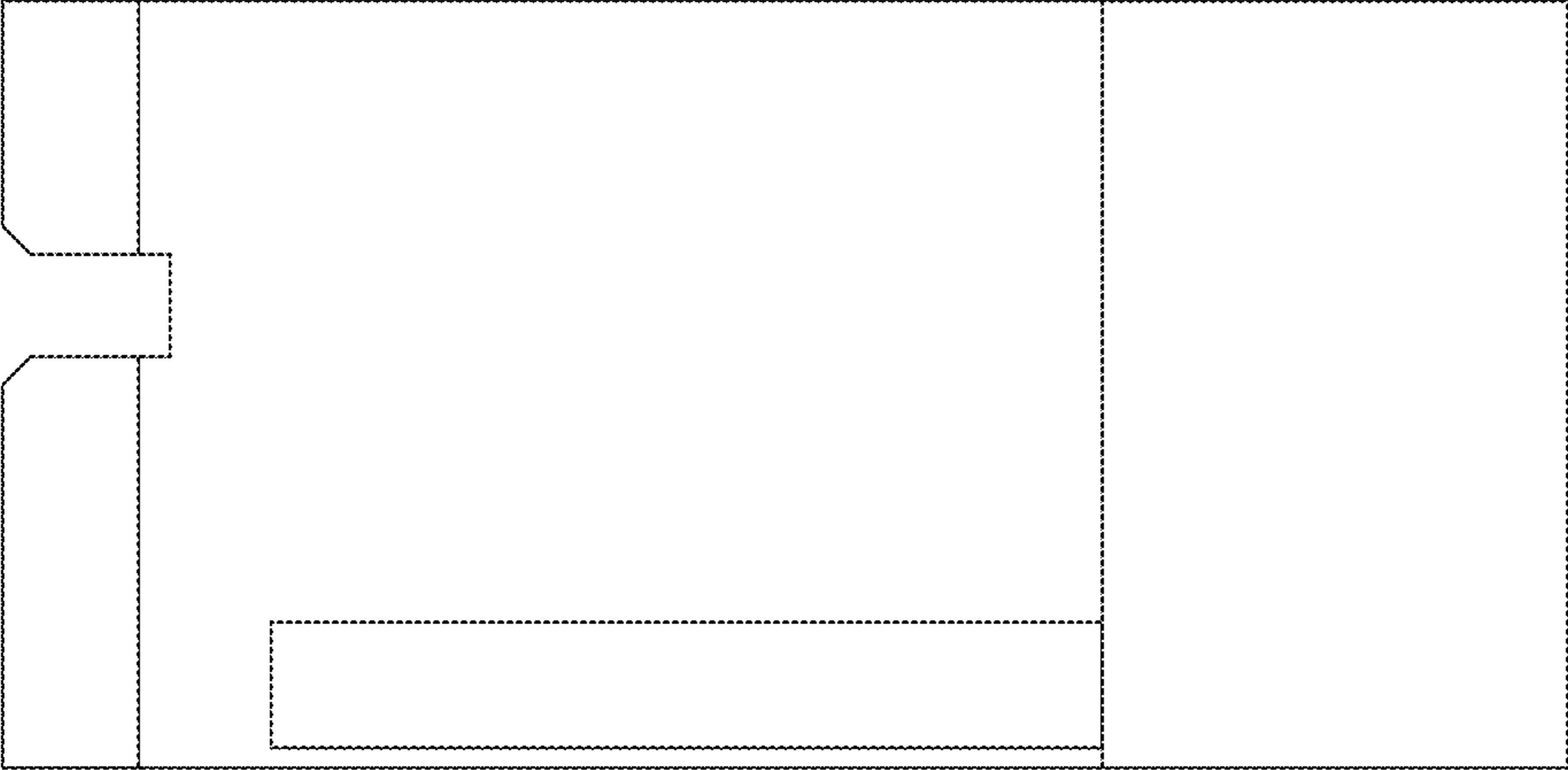


FIG. 3

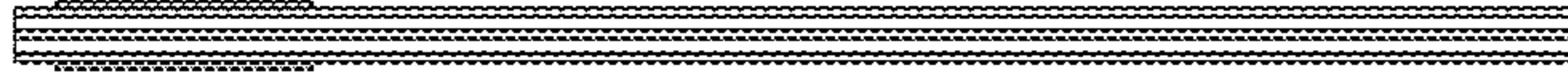


FIG. 4

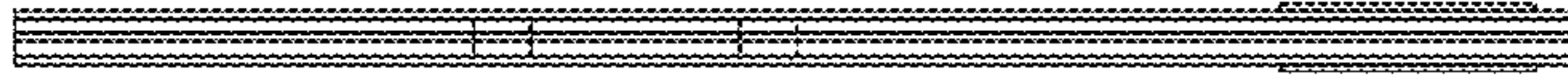


FIG. 5

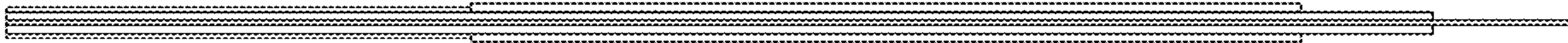


FIG. 6

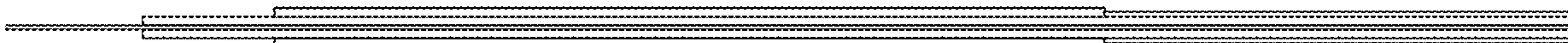


FIG. 7

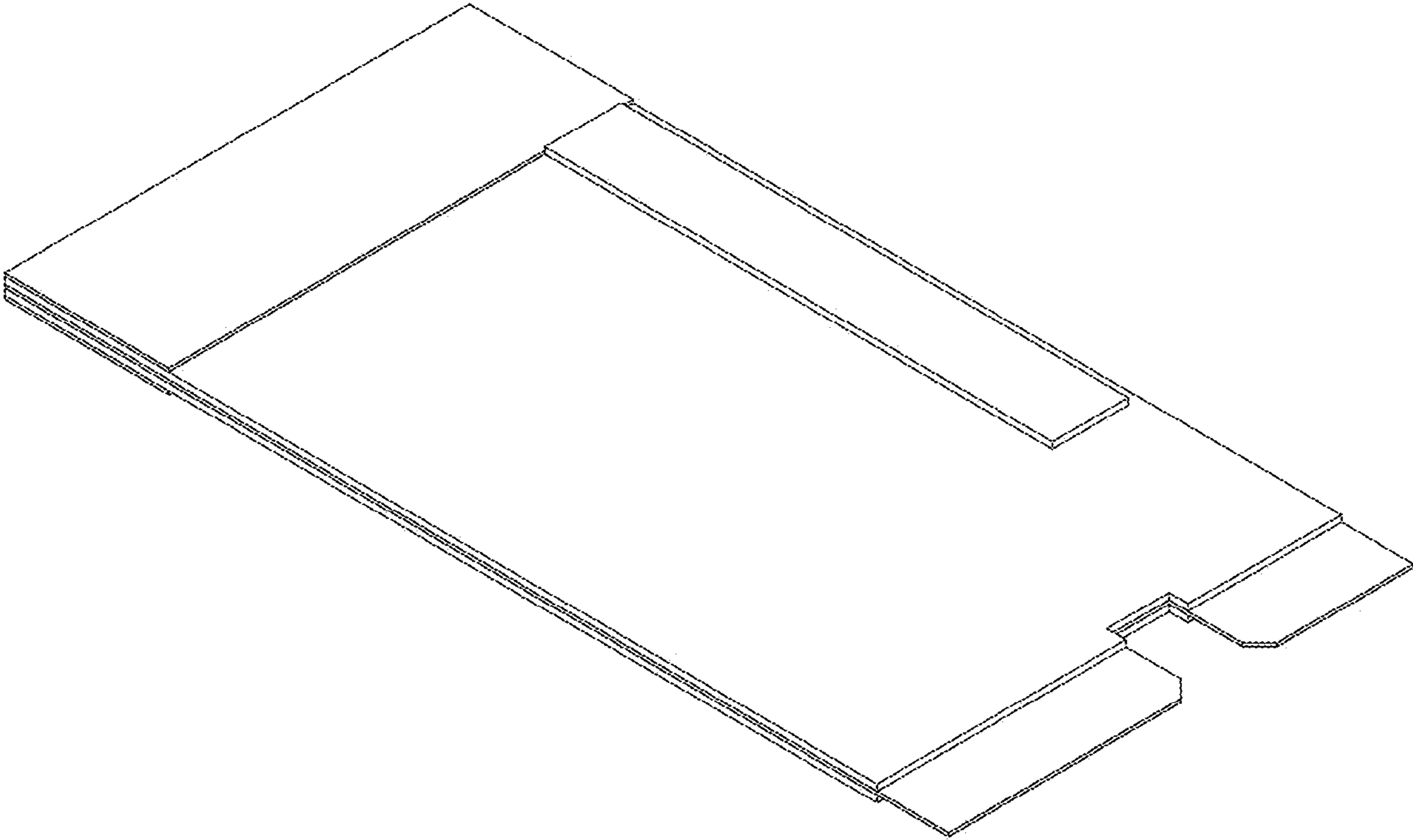


FIG. 8